



LF00184
Rev2 08 2014

Things to check before you start

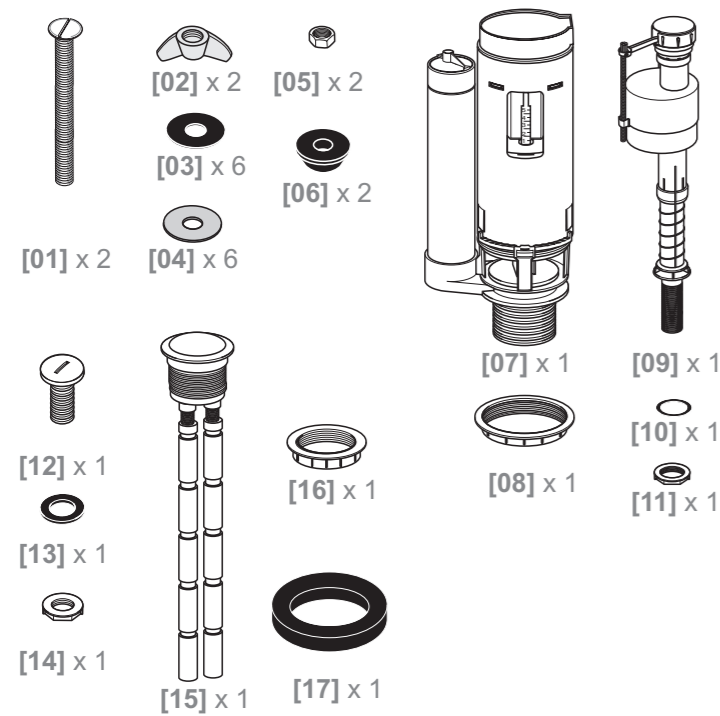
- ✔ Check the pack and make sure you have all the parts listed. If not, contact your local retailer, who will be able to help you.
- ✔ When you are ready to start, make sure that you have the right tools to hand, plenty of space and a clean, dry area for assembly.
- ✔ These cistern fittings are pre-set for dual flush 6 litre full flush and 4 litre short flush.
- ✔ **Please note:** Although these instructions are comprehensive, it is always recommended that a technically competent installer should undertake installation.
- ✔ **Please note:** Always ensure that the wall plugs or fixings are correct for the wall type.
- ✔ Please read the instruction before you start.
- ✔ Retain these instructions for future reference.

Golden rules for care

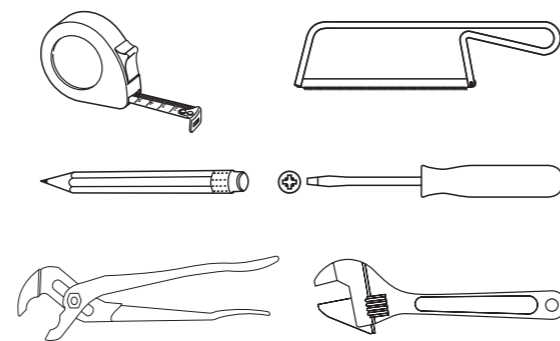
- 1 Do not use bleach based products such as blue cistern blocks, as these can damage the cistern fittings.
- 2 It is recommended to check all fittings for security and tightness at regular intervals.
- 3 For further help and advice, please call 0161 7033360.

- ✔ For domestic use only.
- ✔ Shut off water before installation.
- ✔ **CAUTION:** DO NOT over tighten the fixings otherwise it may damage the product.
- ✔ **CAUTION:** Fragile - handle the product with care. This product may cause property damage or break easily if not handled, positioned and installed with care.
- ✔ **CAUTION:** Always ensure the product is securely installed before use.
- ✔ When the installation is complete, turn the water supply on and check for leaks.
- ✔ Failure to follow these instructions may result in damage to the product and property damage.

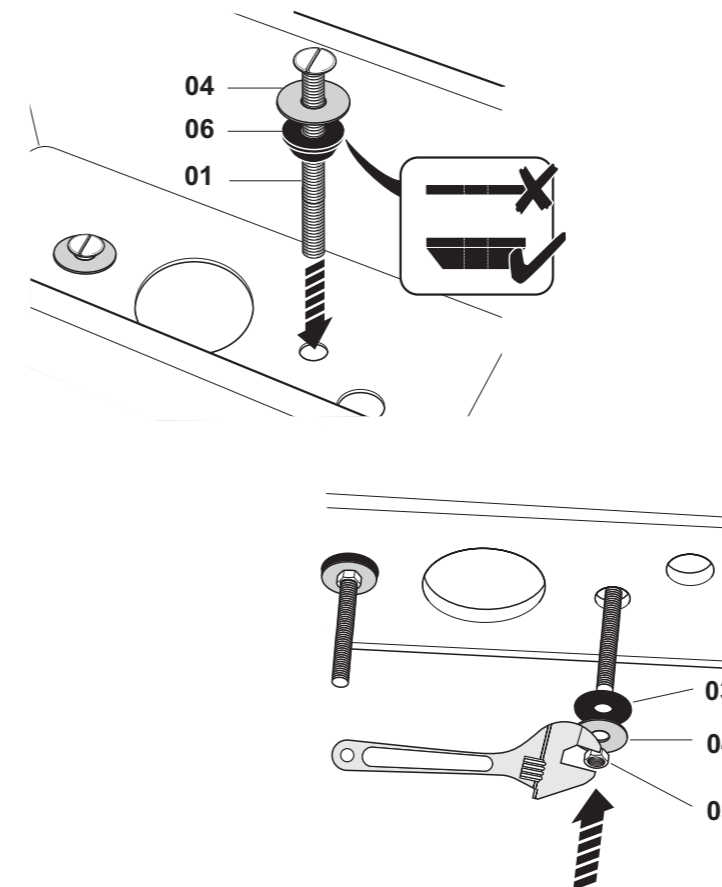
Parts supplied



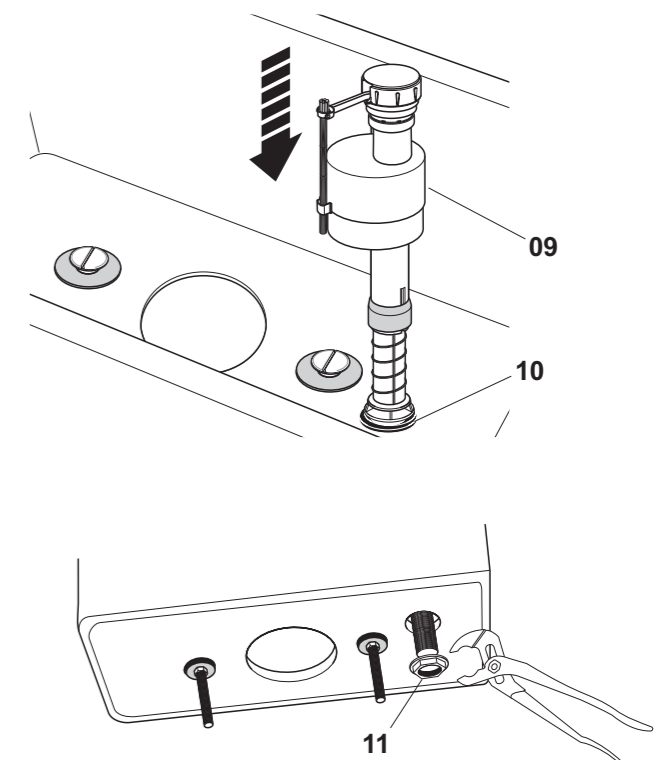
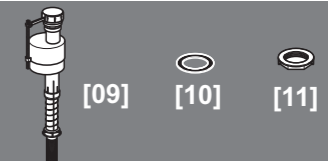
Tools required (not supplied)



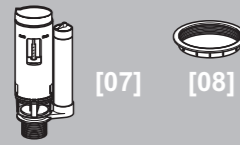
01



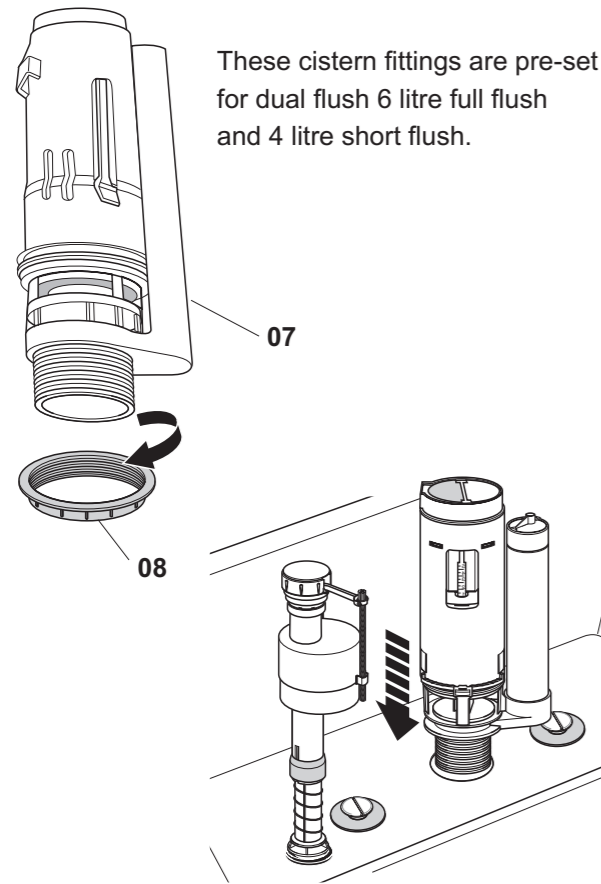
02



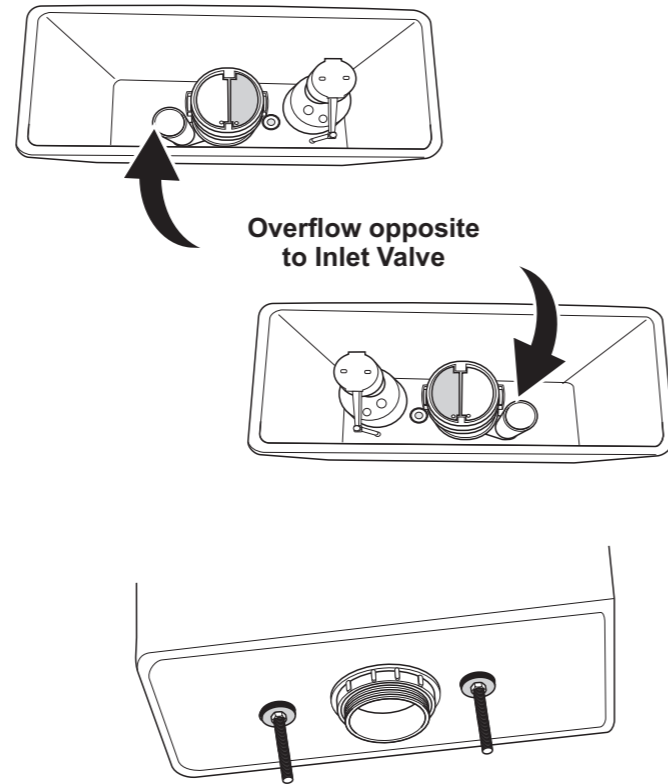
03



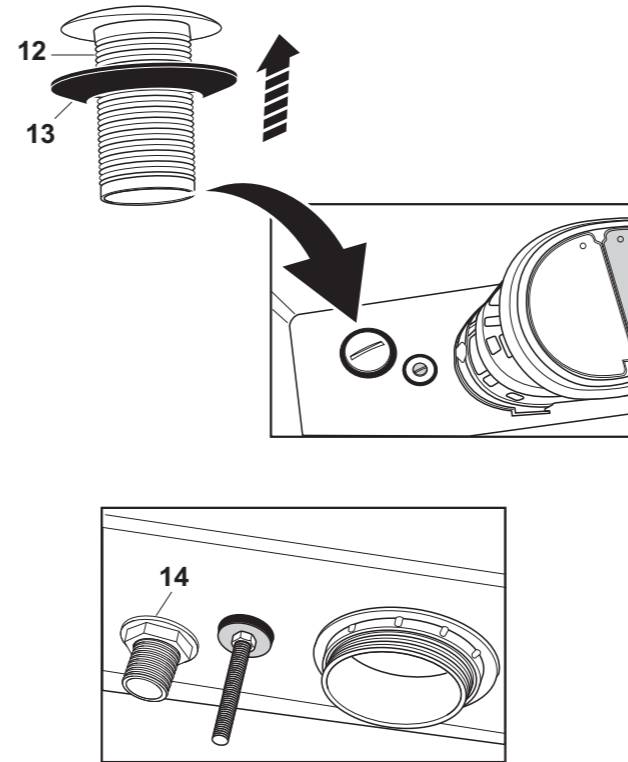
These cistern fittings are pre-set for dual flush 6 litre full flush and 4 litre short flush.



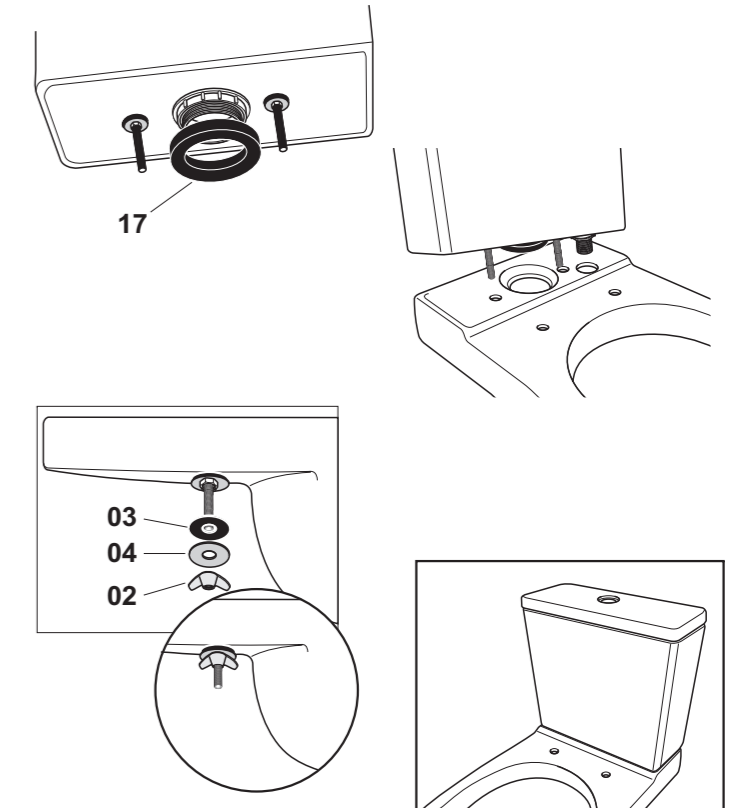
04



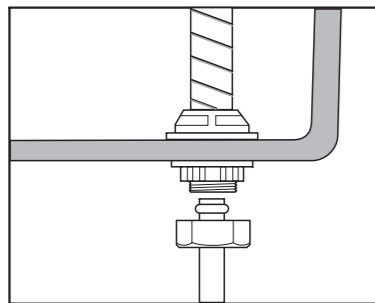
05



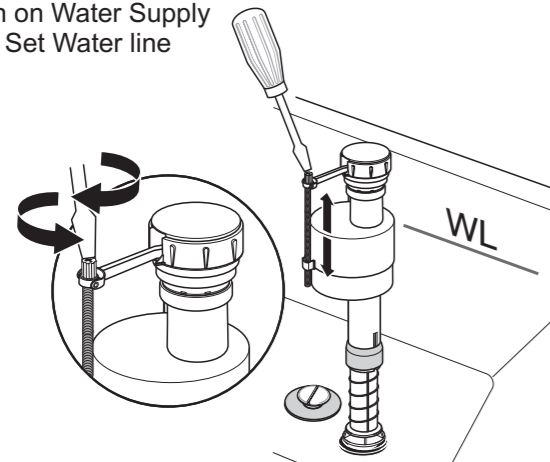
06



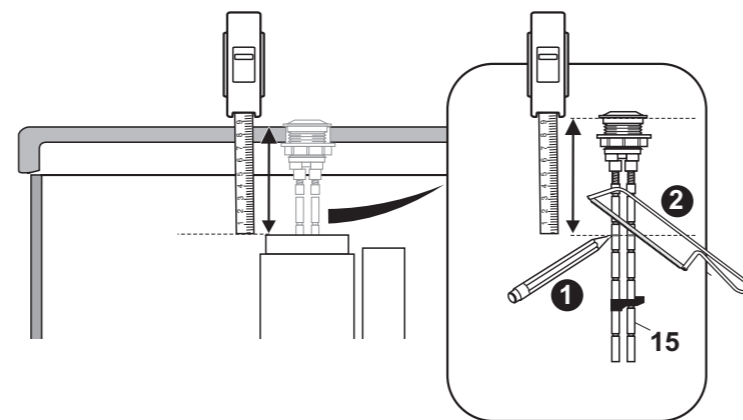
07



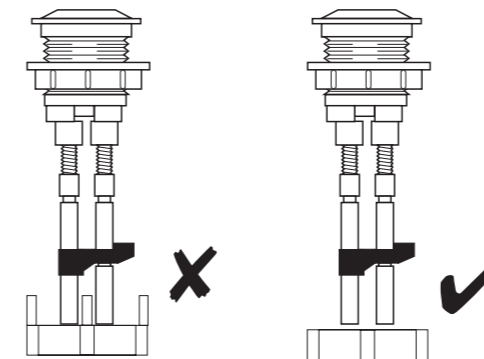
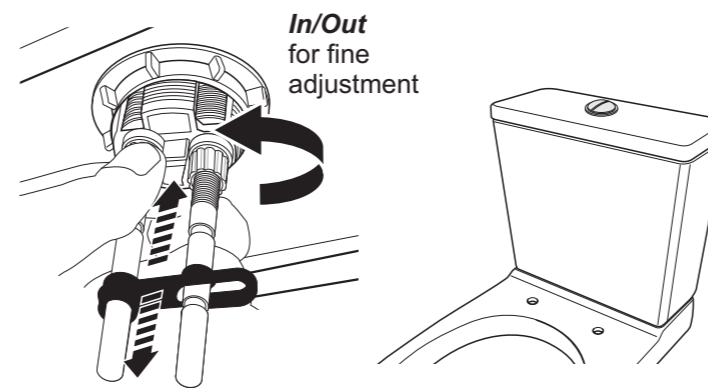
Turn on Water Supply and Set Water line



08

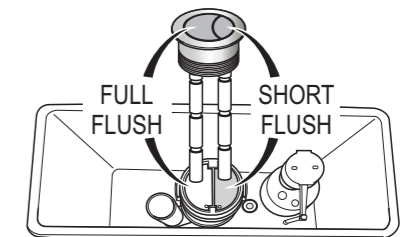
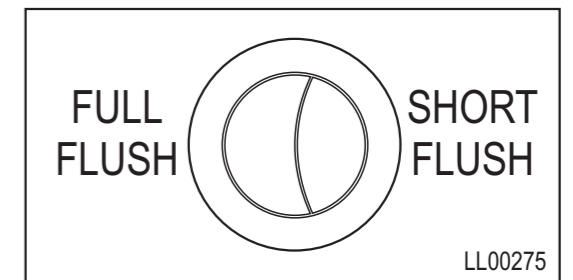


09



10

FLUSH OPERATION



Please refer to toilet bowl fixing instructions for securing the WC to the floor and seat assembly instructions for assembling the toilet seat.