



2923G

Wired Digital
Non-Programmable Thermostat

Watersmith (UK) Ltd
Trade House, Yeovil BA22 8RT

REV 1. Mar 2015

Please leave this guide with the consumer

Helpline Number: 0845 230 5522

Instruction Manual

CONTENTS

Installation and Mounting.....	2
Mounting Location.....	2
Mounting the Thermostat.....	3
Wiring.....	3
Battery Installation.....	5
Temperature Setting	7
Jumper Selection	8
Specification.....	9

Relevant EC Directives:

- LVD 2006/95/EC
- EMC 2004/108/EC
- ROHS 2011/65/EU
- Battery 2006/66/EC



Specification:

Temperature Range:	5 to 35 °C adjustable
Switching Differential:	Approx. 0.5 °C
Power Supply:	2 x AAA battery
Frequency:	50/60Hz
Rating:	30Vdc / 250Vac Max, 5(3)A
Sensing Electronic:	NTC thermistor
Electronic Control:	Type 2.B action
Time Constant:	Approx. 2 min
Terminals:	2mm ² cable
Operating Temperature:	0 to 45 °C
Storage Temperature:	-10 to 55 °C
Pollution Degree:	2
Software class rating:	A
Rated impulse voltage:	4000V

Installation, Mounting:

Warning:

- Switch off the thermostat and any connected electric sources before installing or performing maintenance.
- This product is for fixed wiring only.
- Must be wired in accordance with IET regulation.

Mounting Location:

The thermostat is restricted to indoor use only. It should be mounted on an inner wall about 1.5m above the floor in a position where it is readily affected by the changes of the general room temperature with freely circulating air. Avoid mounting on hot surfaces or in damp areas. Do not expose to direct sunlight.

Mounting the thermostat:

- Find an optimum location to mount the thermostat
- Cut a hole into the wall and feed the heating/cooling control wires through to the thermostat side.
- Using a suitable screwdriver remove the cover of the thermostat by pressing in the two tabs located on both sides of the thermostat.
- Attach the thermostat to the wall/ surface using the slots and screws provided.
- Attach the wires to the thermostat(see wiring section)
- Place the cover back onto the thermostat.

Note: Please do not use the key/slots for Permanent Installation

Wiring:


- Wire the correct cables to the terminal block according to the circuit diagram which is attached on the back of the thermostat
- Push all cables back into wall prior to fixing to avoid trapping wires
- It is recommended that a 5A fuse is fitted.

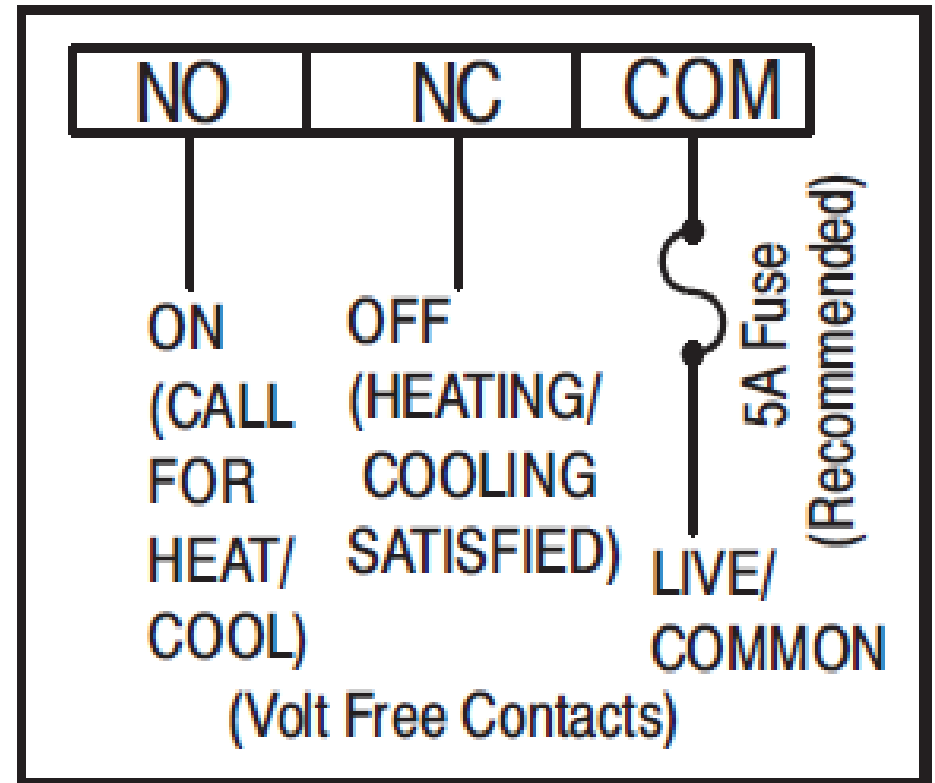
Jumper Selection:

Heating / Cooling Jumper Bridge.
(Located on Underside of PCB)

When the jumper bridge is connected to "Heater" heating function is selected. When jumper bridge is connected to "Cooling" cooling function is selected. If there is no jumper connection selected then the thermostat will not operate.

Temperature setting:

- Select the comfortable temperature by pressing ▲ or ▼ to the desirable temperature
- Room temperature display will resume after 8 seconds with the  icon disappears



Wire product in accordance with IET Regulations

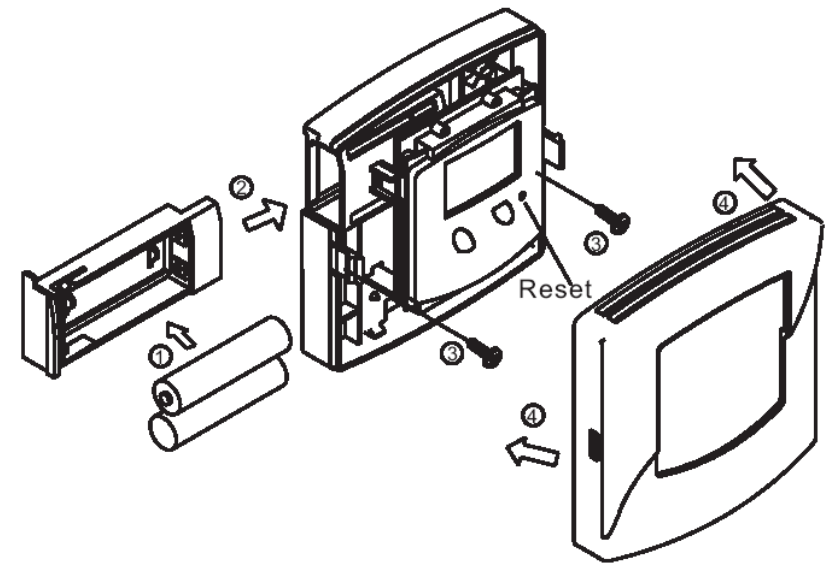
Battery Installation:

Caution: Turn off the electrical devices and disconnect the supply to the appliances before replacing the batteries. Replace only with the same or equivalent type of batteries. Do not dispose the used batteries with the household waste. Refer to your local area for the proper disposal.

1. Pull out the battery drawer .
2. Place the new batteries according to the marking on the battery drawer.
3. Dispose of the old batteries properly.
4. Slide the battery drawer back into its position.
5. Check if the thermostat works properly or not. Press "Reset" if necessary.

5

Battery Installation



6