

**Robert Bosch GmbH**  
Power Tools Division  
70764 Leinfelden-Echterdingen  
GERMANY

[www.bosch-garden.com](http://www.bosch-garden.com)

**F 016 L81 145** (2014.08) 0 / 259 **EURO**



# AXT

22 D | 25 D | 23 TC | 25 TC | 2550 TC

 **BOSCH**

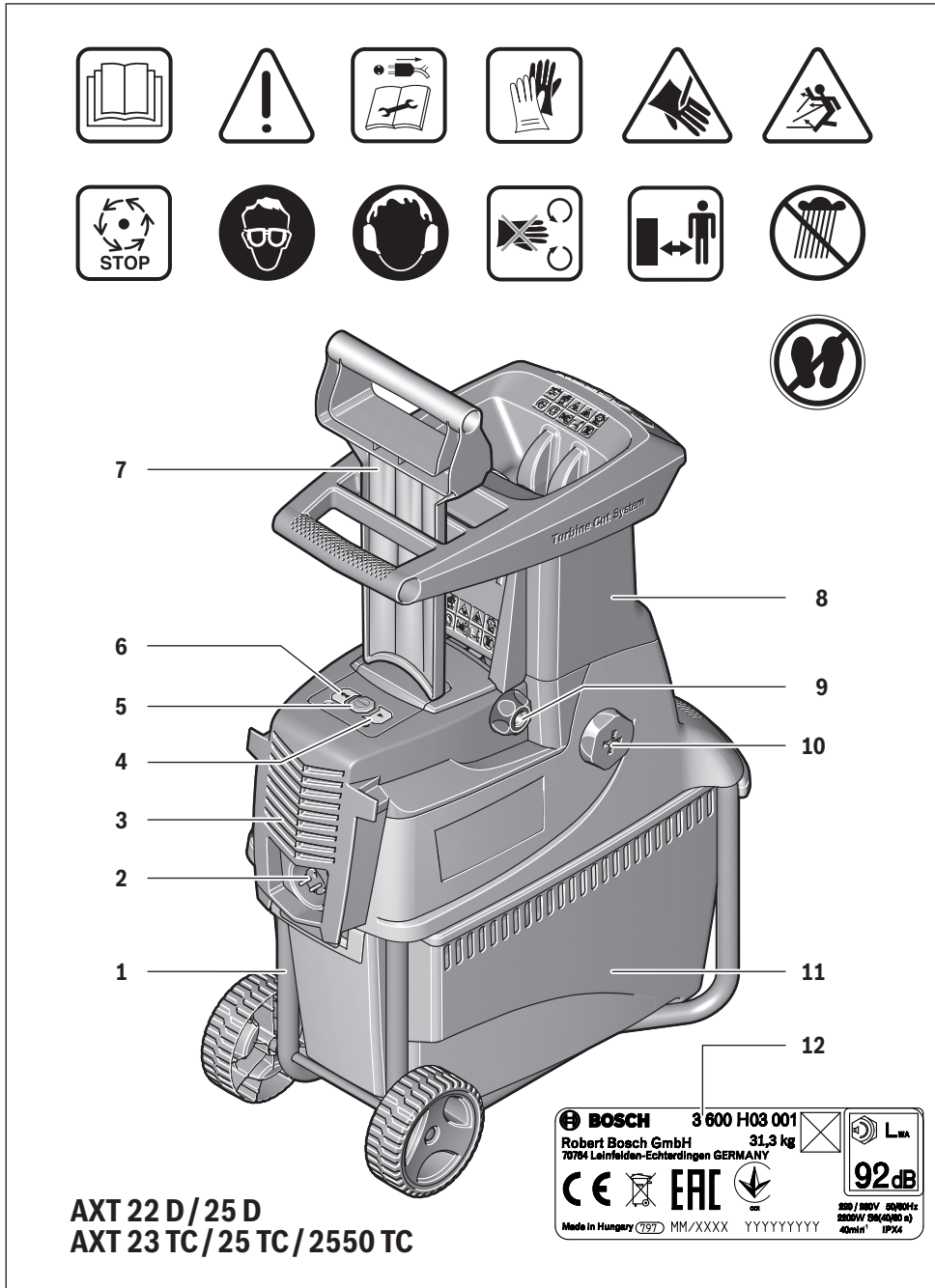
**de** Originalbetriebsanleitung  
**en** Original instructions  
**fr** Notice originale  
**es** Manual original  
**pt** Manual original  
**it** Istruzioni originali  
**nl** Oorspronkelijke  
gebruiksaanwijzing  
**da** Original brugsanvisning  
**sv** Bruksanvisning i original  
**no** Original driftsinstruks  
**fi** Alkuperäiset ohjeet  
**el** Πρωτότυπο οδηγιών χρήσης

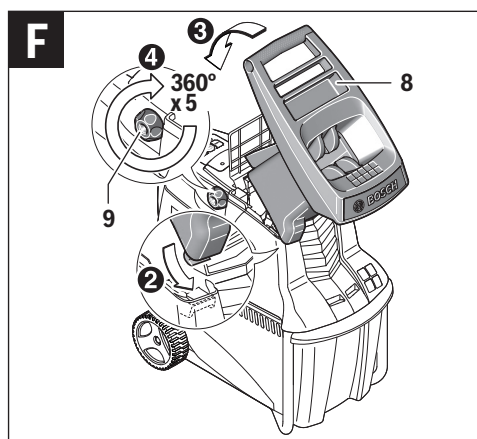
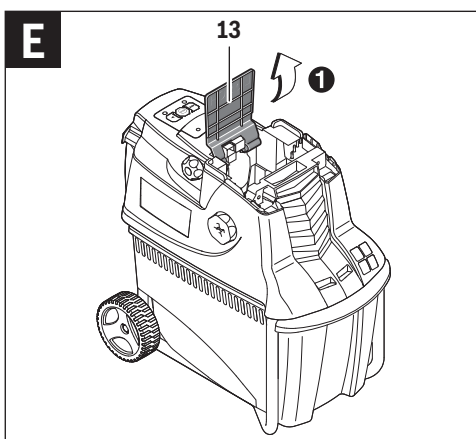
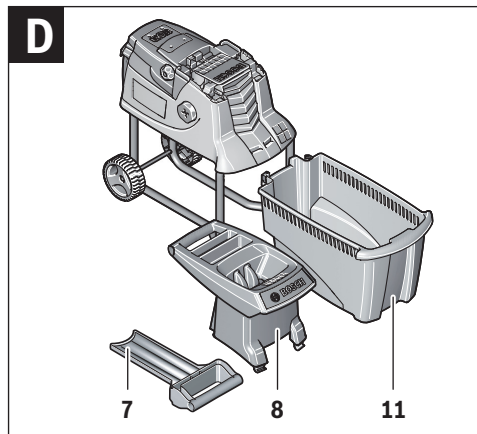
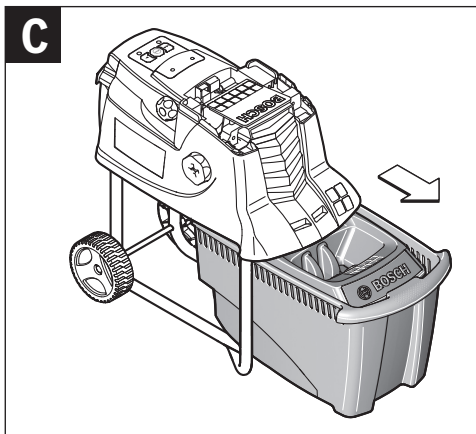
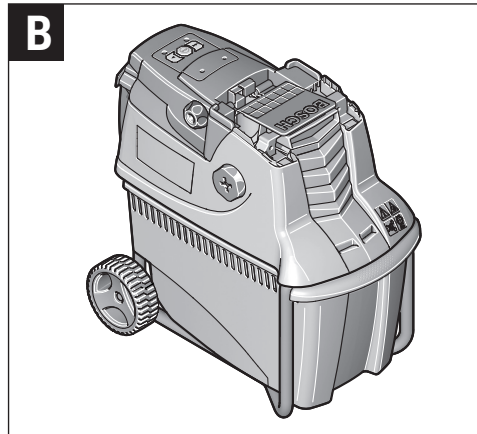
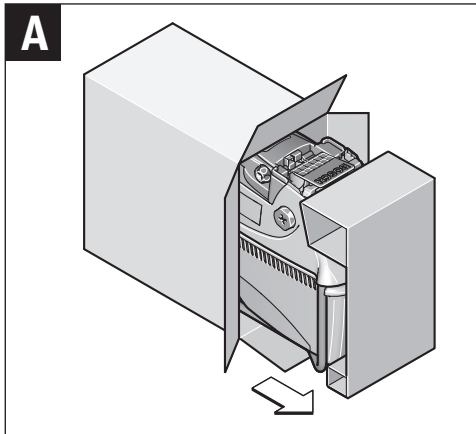
**tr** Orijinal işletme talimatı  
**pl** Instrukcja oryginalna  
**cs** Původní návod k používání  
**sk** Pôvodný návod na použitie  
**hu** Eredeti használati utasítás  
**ru** Оригинальное руководство по  
эксплуатации  
**uk** Оригінальна інструкція з  
експлуатації  
**kk** Пайдалану нұсқаулығының  
түпнұсқасы  
**ro** Instrucțiuni originale  
**bg** Оригинална инструкция

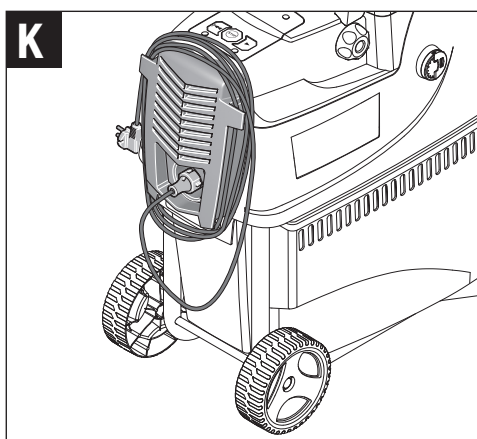
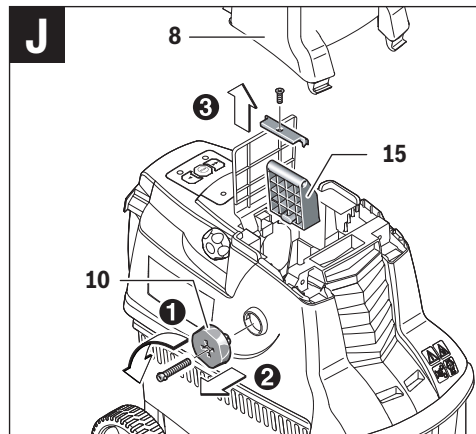
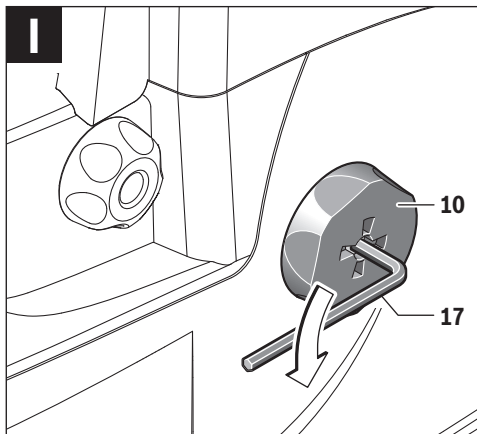
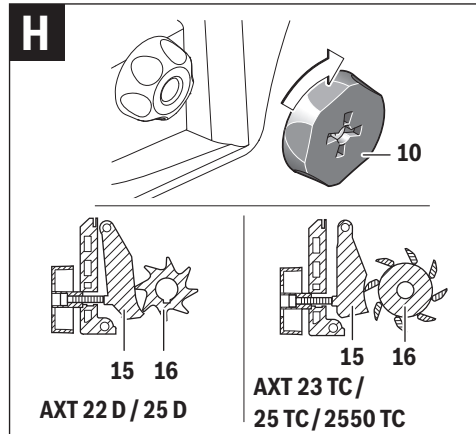
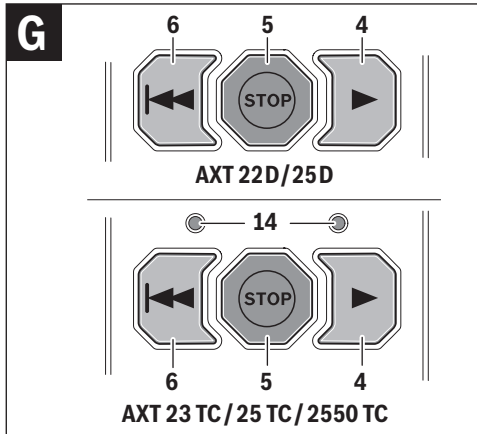
**mk** Оригинално упатство за работа  
**sr** Originalno uputstvo za rad  
**sl** Izvirna navodila  
**hr** Originalne upute za rad  
**et** Algupärane kasutusjuhend  
**lv** Instrukcijas oriģinālvalodā  
**lt** Originali instrukcija



Deutsch.....	Seite	6
English.....	Page	14
Français.....	Page	22
Español.....	Página	31
Português.....	Página	40
Italiano.....	Página	49
Nederlands.....	Página	59
Dansk.....	Side	67
Svenska.....	Sida	75
Norsk.....	Side	83
Suomi.....	Sivu	91
Ελληνικά.....	Σελίδα	98
Türkçe.....	Sayfa	108
Polski.....	Strona	116
Česky.....	Strana	126
Slovensky.....	Strana	134
Magyar.....	Oldal	143
Русский.....	Страница	152
Українська.....	Сторінка	163
Қазақша.....	Бет	172
Română.....	Pagina	183
Български.....	Страница	191
Македонски.....	Страна	201
Srpski.....	Strana	209
Slovensko.....	Stran	217
Hrvatski.....	Stranica	225
Eesti.....	Lehekülg	233
Latviešu.....	Lappuse	241
Lietuviškai.....	Puslapis	250







**14 | English**

- ❶ ❷ Entfernen Sie wie im Bild dargestellt die Schraube der Andruckplatte vollständig.
- ❸ Heben Sie die Andruckplatte **15** mit einem Schraubendreher heraus.

Der Zusammenbau erfolgt in umgekehrter Reihenfolge, wobei die Andruckplatte **15** anschließend nachgestellt werden muss (siehe „Andruckplatte nachstellen (siehe Bild H)“).

### Nach dem Arbeitsvorgang/Aufbewahrung

Der Häcksler darf nicht mit Hochdruckreinigern oder fließendem Wasser gereinigt werden.

Reinigen Sie das Äußere des Gartengerätes gründlich mit einer weichen Bürste und einem Tuch. Verwenden Sie kein Wasser und keine Lösungs- oder Poliermittel. Entfernen Sie sämtliche Grasanhaftungen und Ablagerungen, insbesondere von den Lüftungsschlitzen **3**.

Lagern Sie das Gartengerät an einem trockenen Ort. Stellen Sie keine anderen Gegenstände auf das Gartengerät.

Das Kabel kann, wie dargestellt, am Häcksler aufbewahrt werden (nur UK). (siehe Bild K).

Der Häcksler kann, gemäß Bild B, nach Demontage des Einfülltrichters gelagert werden (siehe auch „Montage des Einfülltrichters (siehe Bilder E – F)“).

### Kundendienst und Anwendungsberatung

[www.bosch-garden.com](http://www.bosch-garden.com)

Geben Sie bei allen Rückfragen und Ersatzteilbestellungen bitte unbedingt die 10-stellige Sachnummer laut Typenschild des Gartengerätes an.

#### Deutschland

Robert Bosch GmbH  
Servicezentrum Elektrowerkzeuge  
Zur Luhne 2  
37589 Kalefeld – Willershausen  
Unter [www.bosch-pt.com](http://www.bosch-pt.com) können Sie online Ersatzteile bestellen oder Reparaturen anmelden.  
Kundendienst: Tel.: (0711) 40040480  
Fax: (0711) 40040481  
E-Mail: [Servicezentrum.Elektrowerkzeuge@de.bosch.com](mailto:Servicezentrum.Elektrowerkzeuge@de.bosch.com)  
Anwendungsberatung: Tel.: (0711) 40040480  
Fax: (0711) 40040482  
E-Mail: [Anwendungsberatung.pt@de.bosch.com](mailto:Anwendungsberatung.pt@de.bosch.com)

#### Österreich

Unter [www.bosch-pt.at](http://www.bosch-pt.at) können Sie online Ersatzteile bestellen.  
Tel.: (01) 797222010  
Fax: (01) 797222011  
E-Mail: [service.elektrowerkzeuge@at.bosch.com](mailto:service.elektrowerkzeuge@at.bosch.com)

#### Schweiz

Unter [www.bosch-pt.com/ch/de](http://www.bosch-pt.com/ch/de) können Sie online Ersatzteile bestellen.  
Tel.: (044) 8471511  
Fax: (044) 8471551  
E-Mail: [Aftersales.Service@de.bosch.com](mailto:Aftersales.Service@de.bosch.com)

#### Luxemburg

Tel.: +32 2 588 0589  
Fax: +32 2 588 0595  
E-Mail: [outillage.gereedschap@be.bosch.com](mailto:outillage.gereedschap@be.bosch.com)

### Entsorgung

Gartengeräte, Zubehör und Verpackungen sollen einer umweltgerechten Wiederverwertung zugeführt werden.

Werfen Sie Gartengeräte nicht in den Hausmüll!

#### Nur für EU-Länder:



Gemäß der Europäischen Richtlinie 2012/19/EU über Elektro- und Elektronik-Altgeräte und ihrer Umsetzung in nationales Recht müssen nicht mehr gebrauchsfähige Elektro- und Elektronikgeräte getrennt gesammelt und einer umweltgerechten Wiederverwertung zugeführt werden.

Änderungen vorbehalten.

## English

### Safety Notes

**Warning! Read these instructions carefully, be familiar with the controls and the proper use of the machine. Please keep the instructions safe for later use!**

### Explanation of symbols on the machine



General hazard safety alert.



Read instruction manual.



Before handling the cutter, switch off and remove the plug from the mains supply. If the ca-

ble is damaged or cut through while working, do not touch the cable but immediately remove the plug from the mains supply. Never use the machine with a damaged cable.



Wear protective gloves, sturdy shoes and long trousers.



Danger – rotating blade. Keep hands and feet out of openings while the machine is running.



Pay attention that bystanders are not injured through foreign objects thrown from the machine.



Warning: Keep a safe distance from the machine when operating.



Wait until all machine components have completely stopped before touching them.



Wear eye protection.



Always wear ear protection.



Do not use the machine in the rain or leave it outdoors when it is raining.



Do not stand on the collection box.

### Operation

► **During operation, do not reach into the chute assembly 8. The machine runs on for a few seconds after being switched off.**

► Never allow children or people unfamiliar with these instructions to use the machine. Local regulations may restrict the age of the operator. When not in use store the machine out of reach of children.

► This machine is not intended for use by persons (including children) with reduced physical, sensory or mental capabilities, or lack of experience and knowledge, unless they have been given supervision or instruction concerning use of the machine by a person responsible for their safety. Children should be supervised to ensure that they do not play with the machine.

► Before switching on, the machine must be assembled according to the enclosed instructions.

► It is recommended for increased electrical safety to use a Residual Current Device (RCD) with a tripping current of not more than 30 mA. Always check your RCD every time you use it.

► Use only extension cables that are intended for outdoor use and are protected against splashes of water.

► Do not touch the plug or socket with wet hands.

► Do not run over, crush or pull the power supply cable or extension lead, otherwise it may be damaged. Protect the cable from heat, oil and sharp edges.

► Other persons and animals should remain at a distance of 3 metres or more when the machine is being

## 16 | English

- used. The operator is responsible for third persons in the working area.
- ▶ Bosch can assure flawless functioning of the machine only when original accessories are used.
  - ▶ Become familiar with the instruction manual before attempting to operate this machine.
  - ▶ Avoid wearing loose-fitting clothing, hanging cords or ties.
  - ▶ Only operate the machine in open space (e. g. not too close to a wall or other fixed objects) and on a firm, level surface.
  - ▶ Do not operate the machine on paved or gravel surface where ejected material could cause injury.
  - ▶ Before starting the machine, check that all screws, nuts, bolts and other fasteners are properly secured and that guards and screens are in place. Replace damaged or unreadable warning and operating labels.
  - ▶ Before starting the machine, make certain that the chute assembly is empty.
  - ▶ Keep your face and body away from the chute assembly.
  - ▶ Do not allow hands or any other part of the body or clothing inside the chute assembly, discharge chute or near any moving part.
  - ▶ Keep proper balance and footing at all times. Do not overreach. Never stand at a higher level than the base of the machine when feeding material.
  - ▶ Always stand clear of the discharge zone when operating the machine.
  - ▶ When feeding material into the machine be extremely careful that pieces of metal, rocks, bottles, cans or other foreign objects are not included.
  - ▶ If the cutting mechanism strikes any foreign object or if the machine should start making any unusual noise or vibration, immediately switch off and allow the cutter to stop. Remove the plug from the mains supply and take the following steps:
    - Inspect for damage.
    - Replace or repair any damaged parts.
    - Check for and tighten any loose parts.
  - ▶ Do not attempt to repair the machine unless you are qualified to do so.
  - ▶ Do not allow processed material to build up in the discharge zone; this may prevent proper discharge which can result in kickback of material through the chute assembly.
  - ▶ If the machine becomes clogged, switch off and allow the cutter to stop. Remove the plug from the mains supply before clearing debris.
  - ▶ Check if guards and protective devices are undamaged and properly mounted. Before using, carry out any necessary maintenance and repairs.
  - ▶ Do not tamper with the motor speed control settings. Contact a Bosch approved service agent if a problem exists.
  - ▶ Keep the motor cooling vents clean of debris and other accumulations to prevent damage to the motor or possible fire.



- ▶ Never pick up or carry the machine while the motor is running.
- ▶ Switch off, allow the cutter to stop and remove the plug from the mains supply whenever you leave the work area.
- ▶ Do not tilt the machine while it is running.
- ▶ Do not expose the machine to rain. Only store the machine in a dry place.
- ▶ When using an aggregator then it needs to be an Automatic Voltage Regulation (AVR) version avoiding damages caused by overvoltage spikes.
- ▶ When servicing the cutter be aware that, even though the motor will not start due to the interlock feature of the guard, the cutter can still be moved if the motor is turned by hand.
- ▶ Never attempt to override the interlock feature of the guard.

### Product Description and Specifications



**Read all safety warnings and all instructions.**  
Failure to follow the warnings and instructions may result in electric shock, fire and/or serious injury.

### Intended Use

The product is intended for cutting of fibrous and woody garden waste for composting.

The collection box is intended for collecting the material cut, and for storing the chute assembly and prodder. The collection box should not be used for other purposes.

### Delivery Scope

Carefully remove the garden product from its packaging and check if the following parts are complete:

- Quiet-shredder
- Chute assembly
- Prodder
- Collection box
- Operating instructions

When parts are missing or damaged, please contact your dealer.

When fully assembled the garden product weighs approximately 30,5–31,3 kg. If necessary, obtain assistance to remove from packaging.

### Product Features

The numbering of the garden product features refers to the illustration of the garden product on the graphics page.

- 1 Undercarriage
- 2 Power plug\*\*
- 3 Ventilation slots
- 4 Green button
- 5 Red STOP button
- 6 Yellow button
- 7 Prodder
- 8 Chute assembly
- 9 Clamping knob
- 10 Adjustment knob

### Maintenance and Storage

- ▶ When the machine is stopped for servicing, inspection, or storage, or to change an accessory, switch off and remove the plug from the mains supply and allow the machine to cool. Make sure that all moving parts have come to a complete stop before making any inspections, adjustments, etc.
- ▶ Maintain the machine with care and keep it clean.
- ▶ Examine the machine and replace worn or damaged parts for safety.
- ▶ Ensure replacement parts fitted are Bosch approved.
- ▶ If an extension cord is used it shall not be of lighter grade than the supply cord already fitted to the machine.
- ▶ Check the supply and any extension cord regularly for damage or signs of ageing. Do not use the machine, if the cords are damaged.

**18 | English**

- 11** Collection box
- 12** Serial number
- 13** Blade cover plate
- 14** LED indicator (AXT 23 TC/ 25 TC 2550 TC only)
- 15** Pressure plate

- 16** Cutting roller
- 17** Hex key \*

**\*\* country specific**

**\*Accessories shown or described are not part of the standard delivery scope of the product. A complete overview of accessories can be found in our accessories program.**

**Technical Data**

Quiet-shredder		AXT 22 D	AXT 25 D	AXT 23 TC	AXT 25 TC	AXT 2550 TC
Article number	3 600 ...	H03 0..	H03 1..	H03 2..	H03 3..	H03 3..
Power consumption, S 6 (40/60 s) <sup>1)</sup>	W	2200	2500	2300	2500	2500
Power consumption, S 1	W	2000	2300	2100	2300	2300
No-load speed	min <sup>-1</sup>	40	40	40	40	40
Cutting system		Drum	Drum	Turbine	Turbine	Turbine
Capacity, max.	kg/h	180 <sup>2)</sup>	190 <sup>2)</sup>	215 <sup>2)</sup>	230 <sup>2)</sup>	230 <sup>2)</sup>
Branch diameter, max.	mm	38 <sup>2)</sup>	40 <sup>2)</sup>	42 <sup>2)</sup>	45 <sup>2)</sup>	45 <sup>2)</sup>
Collection box	l	53	53	53	53	53
Weight according to EPTA-Procedure 01/2003	kg	31.3	31.3	30.5	30.5	30.5
Protection class		⊕ / I	⊕ / I	⊕ / I	⊕ / I	⊕ / I

<sup>1)</sup>The S 6 operating mode (40 %) indicates a load profile of 40 s load and 60 s idle time. For practical application, continuous operation is permitted.

<sup>2)</sup>Depending on the hardness of the wood.

Starting cycles generate brief voltage drops. Interference with other equipment/machines may occur in case of unfavourable mains system conditions. Malfunctions are not to be expected for system impedances below 0.36 ohm.

**Noise/Vibration Information**

Sound emission values determined according to EN 50434.

	3 600 ...	H03 0.. H03 1..	H03 2.. H03 3..
Typically the A-weighted noise levels of the product are:			
Sound pressure level	dB(A)	81	82
Sound power level	dB(A)	89	90
Uncertainty K	dB	= 3	= 2

**Wear hearing protection!**

**Declaration of Conformity **

	3 600 ...	H03 0.. H03 1..	H03 2.. H03 3..
We declare under our sole responsibility that the product described under "Technical data" is in conformity with all relevant provisions of the directives 2011/65/EU, 2014/30/EU, 2006/42/EC, 2000/14/EC including their amendments and complies with the following standards: EN 60335-1, EN 50434.			
2000/14/EC: Guaranteed sound power level:	dB(A)	92	92
Conformity assessment procedure according to Annex V.			

Equipment category: 50  
 Technical file (2006/42/EC, 2000/14/EC) at:  
 Bosch Lawn and Garden Ltd., PT-LG/ENS23,  
 Stowmarket, Suffolk IP14 1EY, England

Henk Becker  
 Executive Vice President  
 Engineering

Helmut Heinzelmann  
 Head of Product Certification  
 PT/ETM9

*Henk Becker* i.v. *Helmut Heinzelmann*

Robert Bosch GmbH, Power Tools Division  
 70764 Leinfelden-Echterdingen, GERMANY  
 01.08.2014

## Assembly

### For Your Safety

- ▶ **Warning! Switch off, remove plug from mains before adjusting, cleaning or if cable is cut, damaged or entangled.**

**Observe correct mains voltage:** The voltage of the power source must agree with the voltage specified on the nameplate of the unit. Equipment marked with 230 V can also be connected to 220 V or 240 V.

The circuit must at least be protected as follows:

**AXT 22 D/25 D/23 TC/25 TC/2550 TC= 13 A**

An extension cable with a cross section that is too small causes a distinct reduction in the performance capabilities of the machine. For cables to 25 m in length, a cross section of at least  $3 \times 1.5 \text{ mm}^2$  is required, for cables more than 25 m in length, the cross section must be at least  $2.5 \text{ mm}^2$ .

- ▶ **WARNING! Inadequate extension cables can be dangerous. Extension cable, plug and socket must be of watertight construction and intended for outdoor use.**

Cable connections should be kept dry and off the ground.

It is recommended for increased electrical safety to use a Residual Current Device (RCD) with a tripping current of not more than 30 mA. Always check your RCD every time you use it.

If the supply cord is damaged, it must be replaced by a Bosch Service Centre.

When using cable drums, these must be completely unreeled.

**Products sold in GB only:** Your product is fitted with a BS 1363/A approved electric plug with internal fuse (ASTA approved to BS 1362).

If the plug is not suitable for your socket outlets, it should be cut off and an appropriate plug fitted in its place by an authorised customer service agent. The replacement plug should have the same fuse rating as the original plug.

The severed plug must be disposed of to avoid a possible shock hazard and should never be inserted into a mains socket elsewhere.

## Assembly

Remove the machine from the package. (see figures A–D).

### Assemble the chute (see figures E–F)

- 1 Lift back blade cover plate **13**.
- 2 Hook in chute assembly **8** to the garden product, and then release the blade cover plate **13**.
- 4 Press the chute **8** down and turn red clamping knob **9** fully clockwise to lock the chute **8** in place, approximately 5x full turns of the clamping knob **9** are required.

## Operation

### Starting Operation (see figure G)

- ▶ **Always place the machine on firm level ground. During operation, do not tilt or move.**
- ▶ **The motor will coast after switching off!**

Remove earth from roots. Foreign material such as stones, glass, metals, fabrics or plastics must not enter the chute assembly **8**. Otherwise this could damage the cutting roller **16**. The chute assembly **8** must be empty.

### Starting

Press green button **4**.

### Stopping

Press red STOP button **5**.

Wait for 2 seconds before restarting the machine.

### Restarting Protection

A mains failure causes machine to switch off. The machine cannot restart on its own when the power returns.

### Return Motion

Press and hold the yellow button **6** to reverse the feed.

The cutting roller **16** runs backward and frees jammed material.

### Overload Protection

Overloading (e. g. blocking of the cutting roller **16**) causes the machine to stop after a few seconds, that time a beep is audible. Press red STOP button to clear the error. After blocking the tool can start in reverse direction.

Press and hold the yellow button **6** to reverse the cutter to unblock.

In case of starting in the same direction the tool won't start and beeps.

If the blockage cannot be cleared the pressure plate **15** will need to be moved away from the cutter.

The adjustment knob **10** will need to be turned a counter-clockwise direction a small amount until the "jammed" material is clear. The pressure plate **15** will need adjustment (see "Pressure Plate Adjustment (see figure H)").

### Working Advice

- ▶ **Wear eye protection, hearing protection and safety gloves at all times while operating the machine.**
- ▶ **Always check before use that the collection box and chute assembly are fitted correctly.**

The machine is fitted with sensors, unless the collection box **11** is fitted correctly and the chute assembly **8** is correctly positioned, the machine will not start and the buzzer beeps (on AXT 23 TC/ 25 TC 2550 TC also the 2 LEDs **14** flash).

Press the red STOP button to clear the error.

Insert the material to be shredded. The material will be fed by the cutter roller **16** without further assistance.

20 | English

- **Longer material standing out from the machine could lash out when being pulled in by the knives! Please keep at safe distance!**
- Only insert as much material so that the chute assembly **8** will not be blocked up.
  - Shred withered, moist material and garden waste which has been stored for some days alternately with branches. This prevents the cutting roller **16** from clogging.
  - Do not fill soft waste such as kitchen rubbish into the shredder but compost directly.
  - Take care that the shredded material can fall freely from the discharge chute – danger of backing up!
  - The ventilation slots **3** must not be covered by the shredded material.
  - Avoid blocking the discharge chute with shredded material as this could result in kickback of material through the chute assembly **8** opening.

**Advice on Shredding**

Branches become harder to shred depending on the type, age and dryness of the wood.

For best results, shred fresh branches soon after they have been cut.

Soft garden waste should be shredded in smaller loads, particularly when wet. Any blockages can be avoided by intermittently shredding branches.

**Pressure Plate Adjustment (see figure H)**

The pressure plate **15** is factory adjusted and may not require adjustment before the first use.

Adjustment of the pressure plate **15** is necessary as a result of wear (shredded material, e. g. branches, hangs together as a chain and is not properly cut through).

With the motor running in the forward direction (green button **4**), turn the adjustment knob **10** a small amount at a time in a clock wise direction until a light grinding sound can be heard (the cutting roller **16** cuts the pressure plate **15** to the proper clearance, and some small aluminium shavings fall out of the ejection chute).

To check, look for shavings in the collection box **11**.

Readjust only to the required extent, otherwise the pressure plate **15** could wear unnecessarily.

**Troubleshooting**

The following chart lists problem symptoms, possible causes and corrective action, if your garden product does not operate properly. If these do not identify and correct the problem, contact your service agent.

► **Warning! Switch off, remove plug from mains before adjusting, cleaning or if cable is cut, damaged or entangled.**

Problem	Possible Cause	Corrective Action
Machine fails to operate	Collection box not fitted correctly	Fit collection box correctly
	Chute assembly not fitted correctly	Fit chute assembly correctly
	Mains socket faulty	Use another socket
	Extension cable damaged	Inspect cable, replace if damaged
	The machine is overheated	Wait until the machine cools down
	Fuse faulty/blown	Replace fuse
Machine beeps (also two lights on AXT 23 TC/ 25 TC 2550 TC) and does not start	Collection box/chute is not correctly assembled	Ensure the collection box is in position Ensure the chute assembly is in position and clamped by turning the clamping knob (red) fully clockwise
Machine periodically beeps three times and does not start. (also two lights are flashing rapidly the same way on AXT 23 TC/25 TC/2550 TC)	Undervoltage protection	Press the STOP button. Wait until the machine cools down. The machine will beep for 2 seconds and switch to standby.
One flashing light on AXT 23 TC/ 25 TC 2550 TC	None, this is ok, machine is "plugged in" and ready to use	
Machine periodically beeps three times and does not start. (also two lights are flashing rapidly the same way on AXT 23 TC/25 TC/2550 TC)	Undervoltage protection	Restart machine. Check extension cable is as required in instructions (lower quality extension cables can cause error) When powered by aggregator, check its performance.
Machine beeps continuously for 10 seconds and does not start, error cannot be cleared pressing STOP button (also two lights are blinking the same way on AXT 23 TC/25 TC/2550 TC)	The electronic control unit is faulty	Contact your Bosch Service Centre

Problem	Possible Cause	Corrective Action
The material to be shredded is not pulled in	Material to be shredded is wet and soft	Use the prodder to push the material into the machine
	Jammed material in the machine	Clear jammed material (always wear protective gloves) Use the reverse button (see "Return Motion")
Shredded material is not completely separated and hangs together as a chain	Pressure plate requires adjustment	see "Pressure Plate Adjustment (see figure H)"
The material stucked between the cutter and pressure plate and cannot be released by the reverse button	Pressure plate were over set	Push in adjusting knob <b>10</b> and insert Allen key <b>17</b> (sized 5 – not included) into the recess on the end of adjusting screw and release by anti clockwise (see figure I) Then repeat pressure plate adjustment (see "Pressure Plate Adjustment (see figure H)")

## Maintenance and Cleaning

- ▶ **Warning! Switch off, remove plug from mains before adjusting, cleaning or if cable is cut, damaged or entangled.**
- ▶ **Always wear protective gloves when using, adjusting or cleaning the garden product.**

**Note:** To ensure long and reliable service, carry out the following maintenance regularly.

Regularly check for obvious defects such as loose, dislodged or damaged blades, loose fixings, and worn or damaged components.

Check that covers and guards are undamaged and correctly fitted. Carry out necessary maintenance or repairs before using.

If the garden product should happen to fail despite the care taken in manufacture and testing, repair should be carried out by an authorised customer service agent for Bosch garden products.

## Removing the Pressure Plate (see figure J)

- ▶ **Warning! Switch off, remove plug from mains before adjusting, cleaning or if cable is cut, damaged or entangled.**
- ▶ **Always wear protective gloves when using, adjusting or cleaning the garden product.**

The cutting roller **16** and the pressure plate **15** have a life expectancy of several years under normal usage and when adjusted according to instructions.

Use the following to remove the pressure plate **15**, to aid cleaning or for replace:

1. Unscrew the pressure plate screw fully as shown.
2. Lift out pressure plate **15** using screw driver.

Fit in the reverse order, the pressure plate **15** will require adjustment (see "Pressure Plate Adjustment (see figure H)").

## After Use/Storage

The shredder must not be cleaned with high-pressure cleaners or running water.

Clean the exterior of the machine thoroughly using a soft brush and cloth. Do not use water, solvents or polishes. Remove all grass and debris, especially from the ventilation slots **3**.

Store the machine in a dry place. Do not place other objects on top of the machine.

Cable can be stored on the shredder as shown (only UK). (see figure K).

The shredder can be stored as in figure B by removing the chute assembly (see also "Assemble the chute (see figures E–F)").

## After-sales Service and Application Service

[www.bosch-garden.com](http://www.bosch-garden.com)

In all correspondence and spare parts orders, please always include the 10-digit article number given on the type plate of the garden product.

### Great Britain

Robert Bosch Ltd. (B.S.C.)  
P.O. Box 98  
Broadwater Park  
North Orbital Road  
Denham  
Uxbridge  
UB 9 5HJ

At [www.bosch-pt.co.uk](http://www.bosch-pt.co.uk) you can order spare parts or arrange the collection of a product in need of servicing or repair.

Tel. Service: (0844) 7360109

E-Mail: [boschservicecentre@bosch.com](mailto:boschservicecentre@bosch.com)

## 22 | Français

**Ireland**

Origo Ltd.  
Unit 23 Magna Drive  
Magna Business Park  
City West  
Dublin 24  
Tel. Service: (01) 4666700  
Fax: (01) 4666888

**Australia, New Zealand and Pacific Islands**

Robert Bosch Australia Pty. Ltd.  
Power Tools  
Locked Bag 66  
Clayton South VIC 3169  
Customer Contact Center  
Inside Australia:  
Phone: (01300) 307044  
Fax: (01300) 307045  
Inside New Zealand:  
Phone: (0800) 543353  
Fax: (0800) 428570  
Outside AU and NZ:  
Phone: +61 3 95415555  
www.bosch.com.au

**Republic of South Africa**

**Customer service**  
Hotline: (011) 6519600

**Gauteng – BSC Service Centre**

35 Roper Street, New Centre  
Johannesburg  
Tel.: (011) 4939375  
Fax: (011) 4930126  
E-Mail: bsctools@icon.co.za

**KZN – BSC Service Centre**

Unit E, Almar Centre  
143 Crompton Street  
Pinetown  
Tel.: (031) 7012120  
Fax: (031) 7012446  
E-Mail: bsc.dur@za.bosch.com

**Western Cape – BSC Service Centre**

Democracy Way, Prosperity Park  
Milnerton  
Tel.: (021) 5512577  
Fax: (021) 5513223  
E-Mail: bsc@zsd.co.za

**Bosch Headquarters**

Midrand, Gauteng  
Tel.: (011) 6519600  
Fax: (011) 6519880  
E-Mail: rbsa-hq.pts@za.bosch.com

**Disposal**

The garden product, accessories and packaging should be sorted for environmental-friendly recycling.

Do not dispose of garden products into household waste!

**Only for EC countries:**

According to the European directive 2012/19/EU for Waste Electrical and Electronic Equipment and its implementation into national law, electrical and electronic equipment that are no longer usable must be collected separately and disposed of in an environmentally correct manner.

Subject to change without notice.

**Français****Avertissements de sécurité**

**Attention ! Lisez avec attention toutes les instructions suivantes. Familiarisez-vous avec les éléments de commande et l'utilisation appropriée de l'outil de jardin. Conservez les instructions d'utilisation pour vous y reporter ultérieurement.**

**Explication des symboles se trouvant sur l'outil de jardin**

Indications générales sur d'éventuels dangers.



Lisez soigneusement ces instructions d'utilisation.



Avant toute intervention sur le mécanisme de coupe, arrêtez l'outil de jardin et retirez la fiche de la prise de courant. Au cas où le câble serait endommagé ou coupé lors du travail, ne pas y toucher mais désactiver immédiatement le circuit électrique par l'intermédiaire du coupe-circuit correspondant. N'utilisez jamais l'outil de jardin lorsque le câble est endommagé.