

Fitted with a superlative, high grade diamond grindstone and leather honing wheel, the Triton Wetstone Sharpener produces a polished, razor-sharp edge on cutting and shaping tools. Used in conjunction with the supplied honing compound, the leather honing wheel delivers a finely polished finish, ideal for hand tools, knives, plane irons, chisels, and other wood carving tools. Edges won't overheat or lose their sharpness due to the water-cooled, slow speed of the Wetstone Sharpener. Using the support arm, angle guide and jig, it is easy to shape and sharpen a blade precisely to the angle required. Pre-dressed and ready for use, the high-grade diamond grindstone can be easily and quickly re-dressed with the provided stone grader. The 120W / 1A induction motor provides long-lasting, smooth performance and rubber feet keep the machine steady and minimise vibration for a perfect finish.



Selling Points

- High grade, pre-dressed diamond grindstone with stone grader
- Smooth 120W / 1A induction motor for long-lasting performance
- Support arm & square edge jig for maintaining correct sharpening angle
- Water-cooled slow speed ensures the edge does not overheat & lose sharpness
- Leather honing wheel & honing compound for a polished, razor-sharp edge
- Angle guide for measuring & setting exact blade bevel
- Easy to shape & sharpen a blade exactly to your needs

Key Specifications

	Voltage	
	220-240V 50Hz	120V 60Hz
Power	120W	1A
No Load Speed	2800rpm	
Wheel Speed	125rpm	
Bore Diameter	Ø 12mm	Ø 15/32"
Sharpening Stone Size	Ø 250 x 50mm 220 Grit	Ø 10" x 2" 220 Grit
Honing Wheel Size	Ø 230 x 30mm	Ø 9" x 13/16"
Weight	13kg	29lbs

Optional Accessories

TWSLKJ	Long Knife Jig
TWSTR	Tool Rest
TWSSG	Stone Grader
TWSDTT	Diamond Truing Tool
TWSGAJ	Grinding Angle Set-Up Jig
TWSTGJ	Turning Gouge Jig
TWSSJ	Scissors Jig
TWSPCJ	Plane Camber Jig
TWSSAE	Support Arm Extension
TWSWSC	Machine Cover
TWSCTJ	Carving Tool Jig
TWSSEJ	Straight Edge Jig
TWSLHW	Profiled Leather Honing Wheel
TWSDW	Diamond Wheel
TWSHC	Honing Compound

What's in the Box

- Square Edge Jig
- Stone Grader
- Honing Compound
- Grinding Angle Set-up Jig
- Spanner



GB Operating and Safety Instructions

NL Bedienings- en veiligheidsvoorschriften

F Instructions d'utilisation et consignes de sécurité

D Gebrauchs- und Sicherheitsanweisung

I Istruzioni per l'uso e la sicurezza

ESP Instrucciones de uso y de seguridad

PT Instruções de Operação e Segurança

PL Instrukcja obsługi i bezpieczeństwa

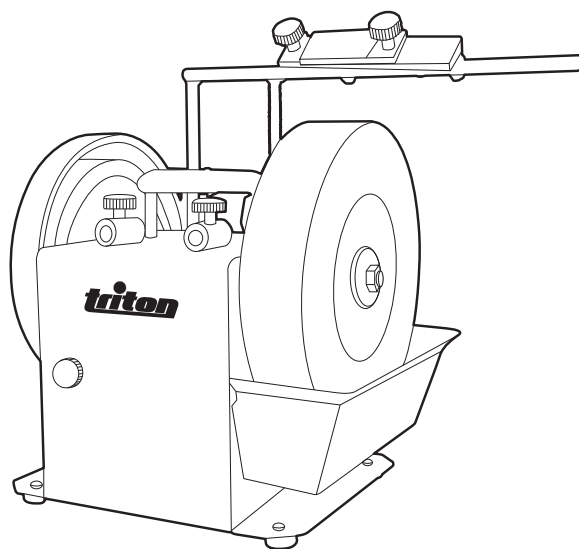
RU Инструкции по эксплуатации и правила техники безопасности

HU Kezelési és biztonsági utasítások

CZ Provozní a bezpečnostní pokyny

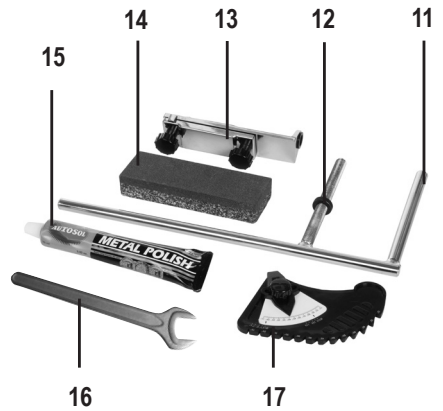
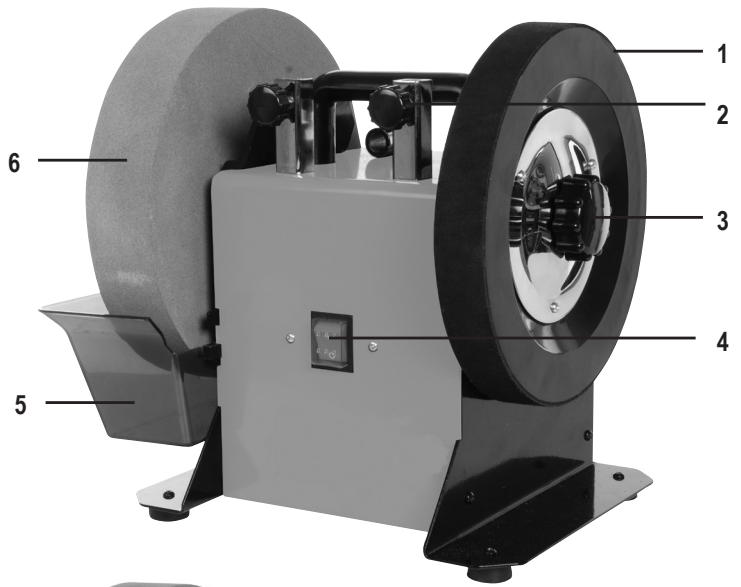
SK Prevádzkové a bezpečnostné pokyny

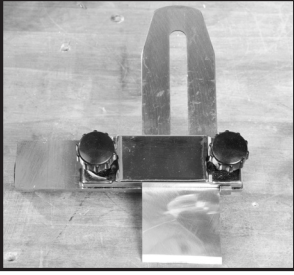
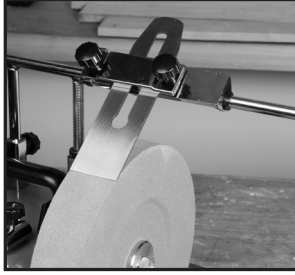
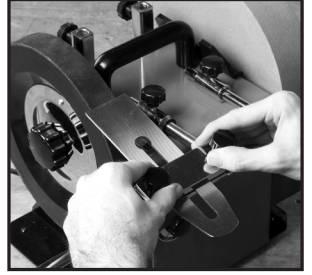
TR Çalima ve Güvenlik Talimatları



Version date: 20.03.15





A**B****C****D****E****F**

Original Instructions

Thank you for purchasing this Triton tool. This manual contains information necessary for safe and effective operation of this product. This product has unique features and, even if you are familiar with similar products, it is necessary to read this manual carefully to ensure you fully understand the instructions. Ensure all users of the tool read and fully understand this manual.

Description of Symbols



Wear hearing protection
Wear eye protection
Wear breathing protection
Wear head protection



Read instruction manual



Conforms to relevant legislation and safety standards.



Caution!



Class I construction (protective earth)



Indoors use only!



Environmental Protection

Waste electrical products should not be disposed of with household waste. Please recycle where facilities exist. Check with your local authority or retailer for recycling advice.



WARNING: This product is heavy and as a precaution it is advised that two people assemble the machine.

Specification

Model No:	TWSS10
Rating:	220V - 240V~, 50/60Hz, 120W
Drive:	Induction motor
No load speed:	125min-1
Sharpening stone:	Ø250 x 50mm
Honing wheel:	Ø230 x 30mm
Bore size:	Ø12mm
Power cord length:	2m
Protection class:	
Dimensions (L x H x W):	345 x 370 x 270mm
Weight:	14.5kg
Note: Imperial conversions are approximate.	
Sound level information:	
Sound Pressure LPA:	86.2dB(A)
Sound Power LWA:	99.2dB(A)
Uncertainty K:	3dB

WARNING: Always wear ear protection where the sound level exceeds 85dB(A) and limit the time of exposure if necessary. If sound levels are uncomfortable, even with ear protection, stop using the tool immediately and check the ear protection is correctly fitted and provides the correct level of sound attenuation for the level of sound produced by your tool.

WARNING: User exposure to tool vibration can result in loss of sense of touch, numbness, tingling and reduced ability to grip. Long term exposure can lead to a chronic condition. If necessary, limit the length of time exposed to vibration and use anti-vibration gloves. Do not operate the tool with hands below a normal comfortable temperature, as vibration will have a greater effect. Use the figures provided in the specification relating to vibration to calculate the duration and frequency of operating the tool.

Sound and vibration levels in the specification are determined according to EN60745 or similar international standards. The figures represent normal use for the tool in normal working conditions. A poorly maintained, incorrectly assembled, or misused tool, may produce increased levels of noise and vibration. www.osha.europa.eu provides information on sound and vibration levels in the workplace that may be useful to domestic users who use tools for long periods of time.

General Power Tool Safety Warnings

WARNING! When using electric power tools, basic safety precautions should always be followed to reduce the risk of fire, electric shock and personal injury including the following safety information. Read all these instructions before attempting to operate this product and save these instructions for future use.

WARNING: This appliance is not intended for use by persons (including children) with reduced, physical or mental capabilities or lack of experience or knowledge unless they have been given supervision or instruction concerning use of the appliance by a person responsible for their safety. Children must be supervised to ensure that they do not play with the appliance.

CAUTION: Use the power tool, accessories and tool bits etc. in accordance with these instructions, taking into account the working conditions and the work to be performed. Use of the power tool for operations different from those intended could result in a hazardous situation.

The term "power tool" in the warnings refers to your mains-operated (corded) power tool or battery-operated (cordless) power tool.

1 - Keep work area clear - Cluttered areas and benches invite injuries

2 - Consider work area environment

- Do not expose tools to rain
- Do not use tools in damp or wet locations
- Keep work area well lit
- Do not use tools in the presence of flammable liquids or gases

3 - Guard against electric shock - Avoid body contact with earthed or grounded surfaces (e.g. pipes, radiators, ranges, refrigerators)

4 - Keep other persons away - Do not let persons, especially children, not involved in the work touch the tool or the extension cord and keep them away from the work area

5 - Store idle tools - When not in use, tools should be stored in a dry locked-up place, out of reach of children

6 - Do not force the tool - It will perform the job better and safer at the rate for which it was intended

7 - Use the right tool - Do not force small tools to do the job of a heavy duty tool

- Do not use tools for purposes not intended; for example do not use circular saws to cut tree limbs or logs

8 - Dress appropriately

- Do not wear loose clothing or jewellery, which can be caught in moving parts
- Suitable safety footwear is recommended when working outdoors.
- Wear protective covering to contain long hair

9 - Use protective equipment

- Use safety glasses
- Use face or dust mask if working operations create dust

WARNING: Not using protective equipment or appropriate clothing can cause personal injury or increase the severity of an injury.

10 - Connect dust extraction equipment - If the tool is provided for the connection of dust extraction and collecting equipment, ensure these are connected and properly used

11 - Do not abuse the power cable - Never yank the power cable to disconnect it from the socket. Keep the power cable away from heat, oil and sharp edges. Damaged or entangled power cables increase the risk of electric shock

12 - Secure work - Where possible use clamps or a vice to hold the work. It is safer than using your hand

13 - Do not overreach - Keep proper footing and balance at all times

14 - Maintain tools with care

- Keep cutting tools sharp and clean makes the tool easier to control and less likely to bind or lock in the workpiece
- Follow instruction for lubricating and changing accessories
- Inspect tool power cables periodically and if damaged have them repaired by an authorized service facility
- Inspect extension cables periodically and replace if damaged

- Keep handles dry, clean and free from oil and grease

WARNING: Many accidents are caused by poorly maintained power tools.

15 - Disconnect tools - When not in use, before servicing and when changing accessories such as blades, bits and cutters, disconnect tools from the power supply

WARNING: The use of accessories or attachments not recommended by the manufacturer may result in a risk of injury to persons.

16 - Remove adjusting keys and wrenches - Form the habit of checking to see that keys and adjusting wrenches are removed from the tool before switching it on

17 - Avoid unintentional starting - Ensure switch is in "off" position when connecting to a mains socket or inserting a battery pack, or when picking up or carrying the tool

WARNING: Unintended starting of a tool can cause major injuries.

18 - Use outdoor extension leads - When the tool is used outdoors, use only extension cords intended for outdoor use and so marked. Use of an extension cable suitable for outdoor use reduces the risk of electric shock

19 - Stay alert

- Watch what you are doing, use common sense and do not operate the tool when you are tired
- Do not use a power tool while you are under the influence of drugs, alcohol or medication

WARNING: A moment of inattention while operating power tools may result in serious personal injury.

20 - Check damaged parts

- Before further use of tool, it should be carefully checked to determine that it will operate properly and perform its intended function
- Check for alignment of moving parts, binding of moving parts, breakage of parts, mounting and any other conditions that may affect its operation
- A guard or other part that is damaged should be properly repaired or replaced by an authorized service centre unless otherwise indicated in this instruction manual
- Have defective switches replaced by an authorized service centre

WARNING: Do not use the tool if the on/off switch does not turn it on and off. The switch must be repaired before the tool is used.

21 - Have your tool repaired by a qualified person - This electric tool complies with the relevant safety rules. Repairs should only be carried out by qualified persons, otherwise this may result in considerable danger to the user

WARNING: When servicing use only identical replacement parts.

WARNING: If the power cable is damaged it must be replaced by the manufacturer or an authorised service centre.

22 - Power tool mains plugs must match the mains socket - Never modify the plug in any way. Do not use any adapter plugs with earthed (grounded) power tools. Unmodified plugs and matching sockets will reduce risk of electric shock

23 - If operating a power tool outside use a residual current device (RCD) - Use of an RCD reduces the risk of electric shock

NOTE: The term "residual current device (RCD)" may be replaced by the term "ground fault circuit interrupter (GFCI)" or "earth leakage circuit breaker (ELCB)".

WARNING: When used in Australia or New Zealand, it is recommended that this tool is ALWAYS supplied via Residual Current Device (RCD) with a rated residual current of 30mA or less.

WARNING: Before connecting a tool to a power source (mains switch power point receptacle, outlet, etc.) be sure that the voltage supply is the same as that specified on the nameplate of the tool. A power source with a voltage greater than that specified for the tool can result in serious injury to the user, and damage to the tool. If in doubt, do not plug in the tool. Using a power source with a voltage less than the nameplate rating is harmful to the motor.

Polarized Plugs (for North America only) To reduce the risk of electric shock, this equipment has a polarized plug (one blade is wider than the other). This plug will fit in a polarized outlet only one way. If the plug does not fit fully in the outlet, reverse the plug. If it still does not fit, contact a qualified electrician to install the proper outlet. Do not change the plug in any way.

Wetstone Sharpener Safety



WARNING!

- **Hold the power tool by insulated gripping surfaces only, because the grinding wheel may contact its own cord.** Cutting a "live" wire may make exposed metal parts of the power tool "live" and could give the operator an electric shock.
- **The machine is Class 1 Category (earthed) and is fitted with a 3-core cable and plug.** Should the cable or plug be damaged, the product should be serviced by an authorized Service Centre to avoid a hazard.
- **It is strongly recommended that the tool always be supplied via a residual current device with a rated residual current of 30 mA or less.**

- Wear adequate personal protective equipment including suitable safety glasses and breathing protection.** DO NOT wear loose clothing, REMOVE jewellery and tie long hair back. DO NOT eat, drink or smoke in the work area. Keep children away
- ALWAYS stand securely when working with this machine.** NEVER lean over the rotating wheels or overreach. ALWAYS be prepared to counteract kickback. Depending on the orientation and rotation of the grinding wheel, a workpiece might be pulled out of your hands or be thrown towards you
- This machine is designed for the sharpening of tools and common household blades.** It is not intended for other grinding purposes, nor should it be used to grind other materials not commonly used for tool blades
- Sharpening should only be undertaken by persons familiar with the procedures, necessary techniques and hazards involved.** This manual only outlines the general use of the machine, and cannot replace formal training in metalwork and tool sharpening or practice
- If you are unsure how to use the machine to sharpen tools safely and according to rules and regulations, DO NOT use**
- ALWAYS adhere to the tool manufacturer's guidelines regarding sharpening and maintenance.** If the guidelines are unclear, return the tool to the manufacturer for sharpening
- NEVER attempt to sharpen a blade that is not intended to be sharpened.** Some blades (e.g. some power tool blades) must be replaced when blunt, worn or damaged and CANNOT be sharpened and re-used
- Some hand and power tool blades feature a complex geometry.** If such a blade is suitable for sharpening, it may ONLY be restored to its original geometry. NEVER alter the existing blade features. If you are unsure how to achieve this, have the tool sharpened by the manufacturer or a trained technician
- Metalworking machines are potentially dangerous if not used properly.** ALWAYS adhere to commonly recognised rules and procedures concerning the operation of metalwork machines and the use of hand tools
- Always use the CORRECT accessories for sharpening specific tools.** Never alter accessories or jigs. Never use self-built accessories or modify the machine. This device may be unsuitable if the accessories designed for specific sharpening tasks are unavailable. DO NOT sharpen tools 'free-hand'
- Inspect the machine, its discs, wheels and accessories carefully before EVERY use.** The use of damaged abrasive wheels is EXTREMELY DANGEROUS and might cause SERIOUS injury to the operator and people in the vicinity
- Abrasive wheels must be well maintained and have an EVEN grinding surface.** Recondition with a stone grader or truing tool when surface shows uneven wear
- Ensure your power circuits satisfy the earthing requirements of this machine.** Never connect to electrical circuits without protective earth, or to unprotected electrical outlet with no circuit breaker or fuses. Consult a qualified electrician if at all unsure about how to safely connect this machine. Incorrect or damaged electrical connections can be the cause of electric shocks, fires and damage to the machine

Product Familiarisation

1. Leather Honing Wheel
2. Vertical Mounts for Support Arm
3. Locking Knob
4. On/Off Switch
5. Water Trough
6. Grindstone
7. Metal Washer (x2)
8. Locking Nut
9. Horizontal Mounts for Support Arm
10. Torque Adjustment Knob

Included Accessories:

11. Support Arm
12. Support Arm Height Adjuster
13. Square Edge Jig
14. Stone Grader
15. Polishing Paste
16. Spanner 19mm
17. Angle Guide

Intended Use

Device for low-speed, wet sharpening and honing of a variety of tools and blades using tool-specific jigs (optional).

Unpacking Your Tool

- Carefully unpack and inspect your tool. Familiarise yourself with all its features and functions
- Ensure that all parts of the tool are present and in good condition. If any parts are missing or damaged, have such parts replaced before attempting to use this tool

Before Use

Fitting the grindstone and water trough

1. Place the Metal Washer (7) onto the spindle, profile facing away from the body of the machine
 2. Place the Grindstone (6) loosely onto the spindle, with the depressed centre of the grindstone facing away from the body of the machine (as shown in image)
 3. Clip the Water Trough (5) into position. Use the appropriate fixing position to suit the size of grindstone to ensure stone is free to rotate yet reaches below the max water level (as marked on trough)
 4. Place the other Metal Washer (7) onto the spindle, profile facing the grindstone
 5. Fasten with the Locking Nut (8). Use the Spanner (16) to secure tightly
- Note:** This spindle has a reverse thread, turn nut anti-clockwise to fasten.
6. Rotate the grindstone by hand a few turns to ensure that it moves freely and accurately

Leather honing wheel

1. The unit is supplied with the Leather Honing Wheel (1) fitted
2. Before use, check that the honing wheel is securely fastened in place
3. Turn the Locking Knob (3) clockwise to tighten

Note: Tighten by hand only.

Positioning the unit

- Install the unit on a solid work surface, with all four feet securely planted on the surface

Note: This machine features four rubber feet to decrease vibration. Place it on a work surface that does not encourage or amplify tool vibration.

- Ensure there is adequate light to see the work clearly and sufficient space around the unit so that there are no obstructions

Filling the water trough

1. Fill the Water Trough (5) with clean cold water up to the 'MAX WATER LEVEL' mark on the side of the water trough
2. When in use, ensure the water level is always sufficient to keep the grinding surface of the Grindstone (6) wet

Engaging the drive system

1. Tighten the Torque Adjustment Knob (10) by turning it clockwise until it is tight up against the body of the machine. This will engage the drive system
2. After use, always loosen the torque adjustment knob. This will help to ensure the drive wheel retains its correct shape

Using the stone grader

Use the Stone Grader (14) to dress the surface of the grindstone for fine or coarse grinding:

For coarse grinding, to remove a large amount of material quickly (for example, to shape a blade):

- Apply the coarse side of the stone grader to the grindstone to roughen the grinding surface

For fine grinding, to sharpen the blade:

- Apply the smooth side of the stone grader to the grindstone to provide a finer surface, ideal for sharpening the blade in preparation final polishing of the cutting edge on the leather honing wheel

Using the square edge jig

For use with the Support Arm (11) and Angle Guide (17) to set the blade at exactly the correct angle for sharpening

1. Loosen the knobs on the Square Edge Jig (13)
2. Place the blade in the jig so that one edge of the blade is positioned against the end stops (Image A)
3. Tighten the knobs to fasten the blade in position

Using the support arm

- The Support Arm (11) can be attached for grinding with or against the direction of rotation of the grindstone

For grinding against the direction of rotation:

1. Place the Support Arm (11) in the Vertical Mounts (2) (Image B)

For grinding and honing with the direction of rotation:

1. Place the Support Arm (11) in the Horizontal Mounts (9) (Image C)

WARNING: Honing must **ONLY** be carried out **WITH** the direction of rotation.

- Working against the direction of rotation removes larger amounts of material more quickly than working with the direction of rotation
- Working with the direction of rotation can be used for very precise sharpening of a blade for finer tools and is used for honing
- Take your time and practise the set up with various types and sizes of blades so that you can achieve the correct sharpening angle and ensure the blade to be sharpened is square across the surface of the grindstone
- In general, for sharpening, position the support arm in the vertical mounts and sharpen against the direction of rotation
- NEVER place the support arm in the vertical mounts when using the leather honing wheel. Attempting to hone the blade against the direction of rotation will cause severe damage to the honing wheel

Using the angle guide

- Use the Angle Guide (17) to set the blade at exactly the correct angle for sharpening (Image D)
1. Mount the blade in the Square Edge Jig (13) and place the support arm in the mount
 2. Use the gauge on the outside of the angle guide to measure the bevel angle of the blade.
 3. Loosen the locking knob on the angle guide and adjust the protractor so that the black arrows are aligned with the correct grindstone diameter marking (Image E)
 4. Then set the pointer to the required bevel angle on the blade (as measured in Step 2, above) and tighten the locking collar to lock in position (Image E)
 5. Thread the square edge jig onto the support arm so that the blade rests against the grindstone
 6. Position the curved foot of the angle guide on the grindstone and the flat section of the pointer on the blade to be sharpened (Image F)
 7. Use the Support Arm Height Adjuster (12) to adjust the height of the support arm until the flat section on the angle guide pointer lies perfectly flat on the blade
 8. The grinding angle will now be correct

Operation

Important safety notes:

- Never use this unit without wearing all necessary safety equipment, including approved safety glasses and face or dust mask
- Wear cut-resistant gloves and handle blades with care at all times
- DO NOT test the sharpness of a blade on your finger (or other part of the body)
- The grindstone and honing wheel rotate in the direction as marked by the arrow on the top of the unit, adjacent to the horizontal mounts
- Ensure the water trough is correctly fitted and sufficiently filled with water before starting work. Check the water level at regular intervals and top up as necessary. NEVER attempt to sharpen a blade when the stone is dry; it may be dangerous to do so.
- Ensure the grinding stone surface is even and accurately graded for the task at hand
- Check that the grindstone rotates freely each time before start up
- Always allow a new wheel to run for a minutes before using it. Stand to one side at start up

Switching on and off

1. Ensure On/Off Switch (4) is in the OFF (O) position
2. Connect the unit to the power supply
3. To switch on, press the on/off switch to ON position (I)
4. To switch off, press the on/off switch to OFF position (O)
5. Disconnect the device from the power supply if interrupted and when finishing work

Sharpening a blade

- Apply blade to the grindstone with an even pressure
- Slide the square edge jig back and forth along the support arm to ensure even grinding on the blade and even wear on the stone
- Do not press hard. Light pressure is all that is required for sharpening

Sharpening without the square edge jig

- If the workpiece is too large to mount in the jig, you can fit the Support Arm (11) and rest the workpiece on the support, with the edge pointing away from you. This will help you keep the blade steady at the angle required
- Move the blade back and forth across the stone to ensure even grinding on the blade and even wear on the stone

Note: A Support Arm Extension (TWSAE) and several tool specific jigs, such as the Long Knife Jig (TWSLKJ) are available from your Triton stockist. It is highly recommended to always use a suitable tool specific jig when sharpening with this device.

Honing a blade

- After sharpening, using the leather honing wheel will remove any burr and give a smooth sharp edge to the blade

WARNING: Always hone a blade in the direction of wheel rotation. NEVER hone against the direction of the wheel.

1. Ensure the machine is disconnected from power during set up
2. Set up the Support Arm (11) and jig as shown in Image C. Use the angle guide to check the blade angle is correct
3. Apply a generous squeeze of Polishing Paste (15) directly to the Leather Honing Wheel (1). Honing will distribute the compound across the wheel
4. Switch on the machine and move the blade across the face of the honing wheel, ensuring that at least half of the width of the honing wheel is always in contact with the blade
5. Allow the honing wheel to do the work. Do not apply excessive force to the wheel
6. As with sharpening, move the jig back and forth along the support arm to ensure even honing of the blade
7. DO NOT hone without polishing paste on the wheel. If honing a number of blades, it may be necessary to apply more paste. Switch off machine and remove blade before applying compound

Honing without the square edge jig

- If the workpiece is too large to mount in the jig, you can fit the Support Arm (11) and rest the workpiece on the support, with the edge pointing away from you. This will help you keep the blade steady at the angle required
- Move the blade back and forth across the wheel to ensure even polishing across the blade

Removing engineering marks

- The manufacturing process sometimes leaves blades with engineering marks on the surface of the cross section (or 'face') of the blade
- You can remove these by applying the damaged face of the blade to the side face of the stone
- Move the face of the blade slowly over the face of the stone. Do not apply excessive force, and avoid fingers coming into contact with the stone
- Carry out this procedure first, before you sharpen the blade

Finishing work

1. Disengage the drive system by loosening the Torque Adjustment Knob (10) This will help to ensure the drive wheel retains perfect shape
2. Empty the water trough

WARNING: NEVER leave the grindstone standing in water.

Accessories

- An extensive range of accessories, including several specialised, tool-specific sharpening jigs, is available from your Triton stockist:
- Carving Tool Jig (TWSCTJ)
- Turning Gouge Jig (TWSGTJ)
- Scissors Jig (TWSJ)
- Long Knife Jig (TWSLKJ)
- Plane Camber Jig (TWSPCJ)
- Straight Edge Jig (TWSSEJ)
- Support Arm Extension (TWSAE)
- Tool Rest (TWSTR)
- Set-Up Jig (TWSGAJ)
- Stone Grader (TWSGG)
- Diamond Truing Tool (TWSDDT)
- Machine Cover (TWSWSC)
- Metal Polish (TWSMP)
- Replacement grinding and honing wheels are available from your Triton stockist; genuine Triton spare parts can be obtained from toolsparsonline.com

Maintenance

General inspection

- Regularly check that all the fixing screws are tight. They may vibrate loose over time
- Inspect the supply cord of the tool, prior to each use, for damage or wear. Repairs should be carried out by an authorised Triton service centre. This advice also applies to extension cords used with this tool

Cleaning

- Keep your tool clean at all times. Dirt and dust will cause internal parts to wear quickly, and shorten the machine's service life. Clean the body of your machine with a soft brush, or dry cloth. If available, use clean, dry, compressed air to blow through the ventilation holes

Grindstone maintenance

- Do not use a grindstone that has received a blow, especially to the side of the stone
- Replace a cracked or suspect stone immediately
- Maintain an even grinding surface. Use the Diamond Truing Tool TWSDDT (available separately) to restore the grinding stone's surface when it has become uneven or shows other signs of wear
- See 'Fitting the grindstone and water trough' for guidance on fitting a stone

Note: The spindle features a reverse thread: turn clockwise to loosen, anti-clockwise to tighten.

Replacing the leather honing wheel

If the Leather Honing Wheel (1) becomes worn or torn, it must be replaced:

1. Unscrew and set aside the Locking Knob (3)
2. Remove the worn honing wheel from the spindle, and position new wheel in its place
3. Re-fit the Locking Knob and tighten.

Note: Tighten by hand only.

Storage

- ALWAYS empty the water trough, clean the machine and cover for storage
- NEVER store the machine with a wet or damp grinding stone. ALWAYS ensure the stone has dried completely before covering and storing long-term
- Store this machine carefully in a secure, warm, dry place out of the reach of children

Disposal

Always adhere to national regulations when disposing of power tools that are no longer functional and are not viable for repair.

- Do not dispose of power tools, or other waste electrical and electronic equipment (WEEE), with household waste
- Contact your local waste disposal authority for information on the correct way to dispose of power tools

Guarantee

To register your guarantee visit our web site at www.tritontools.com* and enter your details.

Your details will be included on our mailing list (unless indicated otherwise) for information on future releases. Details provided will not be made available to any third party.

Purchase Record

Date of Purchase: ___ / ___ / ___

Model: TWSS10 Retain your receipt as proof of purchase

CE Declaration of Conformity

The undersigned: Mr Darrell Morris

as authorised by: Triton Tools

Declares that

Identification code: 949257

Description: Wetstone Sharpener

Conforms to the following directives and standards:

- Machinery Directive 2006/42/EC
- Low Voltage Directive 2006/95/EC
- EMC Directive 2004/108/EC
- RoHS Directive 2011/65/EU
- EN 61029-1:2009+A11:2010
- EN 61000-3-2:2006/A1:2009/A2:2009
- EN61000-3-3: 2013
- EN 55014-1:2006/A1:2009/A2:2011
- EN 55014-2: 1997/A1:2001/A2:2008
- EN 50581:2012

Triton Precision Power Tools guarantees to the purchaser of this product that if any part proves to be defective due to faulty materials or workmanship within 3 YEARS from the date of original purchase, Triton will repair, or at its discretion replace, the faulty part free of charge.

This guarantee does not apply to commercial use nor does it extend to normal wear and tear or damage as a result of accident, abuse or misuse.

* Register online within 30 days.

Terms & conditions apply.

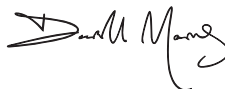
This does not affect your statutory rights

Notified body: Intertek

The technical documentation is kept by: Triton Tools

Date: 04/03/15

Signed:



Mr Darrell Morris

Managing Director

Name and address of the manufacturer:

Powerbox International Limited, Company No. 06897059. Registered address: Central House, Church Street, Yeovil, Somerset BA20 1HH, United Kingdom.

Vertaling van de originele instructies

Hartelijk dank voor de aanschaf van dit Triton-gereedschap. Deze instructies bevatten informatie die u nodig hebt voor een veilige en doeltreffende bediening van dit product. Dit product heeft een aantal unieke eigenschappen. Lees daarom deze handleiding altijd door, ook als u al bekend bent met bandschuurmachine, zodat u alle voordelen van dit unieke ontwerp kunt benutten. Houd deze handleiding bij de hand en zorg ervoor dat alle gebruikers van dit gereedschap de handleiding hebben gelezen en volledig hebben begrepen.

Beschrijving symbolen



Draag gehoorbescherming
Draag een veiligheidsbril
Draag een stofmasker
Draag een veiligheidshelm



Lees de handleiding



Voldoet aan de relevante wetgeving en veiligheidsnormen (enkel voor EU model)



Voorzichtig!



Beschermingsklasse I (aardgeleiding)



Enkel geschikt voor binnen gebruik!



Milieubescherming

Elektrische producten mogen niet met het normale huisvuil worden weggegooid. Indien de mogelijkheid bestaat, dient u het product te recyclen. Vraag de plaatselijke autoriteiten of winkelier om advies betreffende recyclen.



WAARSCHUWING: Dit product is erg zwaar. Het is aanbevolen de eenheid met twee personen samen te stellen

Specificaties

Artikel nr.:	TWSS10
Spanning:	220-240 V~, 50/60 Hz, 120 W
Aandrijving:	Inductiemotor
Onbelaste snelheid:	125 min ⁻¹
Slijpsteen:	Ø 250 x 50 mm
Polijstschiif:	Ø 230 x 30 mm
Asgat diameter:	Ø 12 mm
Stroomsnoer lengte:	2 m
Beschermingsklasse:	
Afmetingen (L x B x H):	345 x 370 x 270 mm
Gewicht:	14,5 kg
Geluid en trilling:	
Geluidsdruk L_{pa}:	86,2 dB(A)
Geluidsvermogen L_{wa}:	99,2 dB(A)
Onzekerheid K:	3 dB

WAARSCHUWING: Bij een geluidsintensiteit van 85 dB(A) of hoger is het dragen van gehoorbescherming en het limiteren van de blootstellingstijd vereist. Bij oncomfortabel hoge geluidsniveaus, zelfs met het dragen van gehoorbescherming, stopt u het gebruik van de machine onmiddellijk. Controleer de pasvorm en het geluiddempingsniveau van de bescherming.

WAARSCHUWING: Blootstelling aan trilling resulteert mogelijk in gevoelloosheid, tinteling en een verminderd gripvermogen. Langdurige blootstelling kan leiden tot chronische condities. Limiteer de blootstellingsduur en draag anti-vibratie handschoenen. Vibratie heeft een grotere invloed op handen met een temperatuur lager dan een normale, comfortabele temperatuur. Maak gebruik van de informatie in de specificaties voor het berekenen van de gebruiksduur en frequentie van de machine.

Geluid- en trillingsniveaus in de specificatie zijn vastgesteld volgens EN60745 of een gelijksoortige internationale norm. De waarden gelden voor een normaal gebruik in normale werkomstandigheden. Een slecht onderhouden, onjuist samengestelde of onjuist gebruikte machine produceert mogelijk hogere geluids- en trillingsniveaus. www.osha.europa.eu biedt informatie met betrekking tot geluids- en trillingsniveaus op de werkplek wat mogelijk nuttig is voor regelmatig gebruikers van machines.

Algemene veiligheid

WAARSCHUWING: Bij het gebruik van elektrische machines horen basis veiligheidsvoorzorgmaatregelen opgevolgd te worden om de kans op brand, elektrische schokken en persoonlijk letsel te minimaliseren. Lees de instructies voor gebruik volledig door en bewaar deze bij de machine voor toekomstig gebruik.

WAARSCHUWING: De machine is niet geschikt voor gebruik door personen met een verminderde mentale of fysieke bekwaamheid of een gebrek aan ervaring, tenzij de persoon wordt begeleid of geïnstrueerd door een persoon verantwoordelijk voor de veiligheid

LET OP: Het gebruik van de machine voor doeleinden, anders dan waarvoor de machine is bestemd resulteert mogelijk in gevaarlijke situaties en serieus persoonlijk letsel

De term "elektrisch gereedschap" in alle hieronder vermelde waarschuwingen heeft betrekking op uw elektrische gereedschap dat op de stroom is aangesloten (met een snoer) of met een accu wordt gevoed (snoerloos).

1 - Veiligheid in de werkruimte - Rommelige en donkere ruimtes leiden vaak tot ongelukken.

2 - Denk aan de werkplaatsomgeving

- Stel gereedschap niet bloot aan regen
- Gebruik gereedschap niet in vochtige of natte omstandigheden
- Houdt uw werkplaats goed verlicht
- Gebruik gereedschap niet in de nabijheid van ontvlambare vloeistoffen of gassen

3 - Beschermt uzelf tegen elektrische schok - Voorkom het contact met geaarde oppervlakken (als leidingen, radiatoren, koelkasten).

4 - Houd kinderen en omstanders uit de buurt - Laat mensen, vooral kinderen, de machine en verlengsnoeren niet aanraken en houd ze op afstand

5 - Berg gereedschap wat niet in gebruik is op - Berg gereedschap dat niet in gebruik is op een droge plek, buiten het bereik van kinderen op

6 - Forceer gereedschap niet - Uw machine functioneert optimaal op de bestemde gebruikssnelheid

7 - Gebruik de juiste machine - Forceer kleine machine niet voor het uitvoeren van grote werkzaamheden.

- Gebruik gereedschap niet voor doeleinden waarvoor ze niet bestemd zijn.

8 - Draag de juiste uitrusting

- Loshangende kleding en sieraden kunnen door bewegende onderdelen gegrepen worden
- Het dragen van niet-slippende schoenen is aangeraden voor buitenwerk
- Bedek lang haar

9 - Draag de benodigde beschermingsmiddelen

- Draag een veiligheidsbril
- Draag een stofmasker bij stof producerende werkzaamheden

WAARSCHUWING: Wanneer de beschermende uitrusting niet gedragen wordt is de kans open ongeval groter en is de ernst van voorvallende ongevallen groter

10 - Sluit gereedschap op een stof-ontginningsstelsel aan -

- Wanneer de machine is voorzien van een stofpoort, sluit u deze op een ontginningsstelsel aan

11 - Misbruik het stroomsnoer niet - Trek nooit aan het stroomsnoer om de stekker uit het stopcontact te halen. Houdt het stroomsnoer uit de buurt van warmte, olie en scherpe randen. Beschadigde snoeren vergroten de kans op elektrische schok

12 - Klem uw werk vast - Klem uw werkstuk wanneer mogelijk stevig vast

13 - Reik niet te ver - Blijf altijd stevig en in balans staan

14 - Onderhoud uw gereedschap zorgvuldig

- Het scherp en schoon houden van snijgereedschap zorgt voor een gemakkelijker machine controle en een kleinere kans op het buigen en breken
- Volg smeelinstructies op
- Controleer stroomsnoeren regelmatig op beschadiging en laat deze bij een geautoriseerd service center repareren

- Laat stroomsnoeren bij een geautoriseerd service center vervangen

- Houdt handvaten schoon, droog en vrij van olie en vet

WAARSCHUWING: Velen ongelukken worden veroorzaakt door slecht onderhouden machines

15 - Ontkoppel machines van de stroombron - wanneer niet in gebruik, voor onderhoud en bij het vervangen van accessoires ontkoppelt u de machine van de stroombron

16 - Verwijder sleutels - Maak van het controleren op gereedschapsleutels een gewoonte

17 - Voorkom onnodig starten - Zorg ervoor dat de aan-/uitschakelaar bij het aansluiten op de stroombron, het plaatsen van een accu of het vervoeren in de uit-positie staat

WAARSCHUWING - Het onnodig starten van de machine kan leiden tot serieuze verwondingen

18 - Het gebruik van buiten verlengsnoeren - Wanneer gereedschap buiten gebruikt wordt, maakt u gebruik van verlengsnoeren, geschikt voor buiten. Dit vermindert de kans op elektrische schok

19 - Blijf alert

- Houd uw aandacht op het werk, gebruik uw gezonde verstand en gebruik machines niet wanneer vermoeid
- Gebruik het elektrisch gereedschap niet wanneer u vermoeid bent of onder invloed van drugs, alcohol of medicijnen

WAARSCHUWING: Onoplettendheid tijdens het bedienen van elektrisch gereedschap kan leiden tot ernstig letsel

20 - Controleer beschadigde onderdelen

- Controleer voor verder gebruik of de machine als bestemd functioneert
- Controleer bewegende delen op uittijning, beschadiging, montage en andere gesteldheden die gebruik van de machine mogelijk beïnvloeden
- Een beschadigde beschermkap hoort bij een geautoriseerd service center gerepareerd of vervangen te worden, tenzij anders vermeld in deze handleiding
- Laat defecte schakelaars bij een geautoriseerd service center repareren

WAARSCHUWING: Gebruik de machine niet met een defecte aan-/uitschakelaar. De schakelaar hoort voor gebruik gerepareerd te worden

21 - Laat uw machine te allen tijde door een gekwalificeerd persoon repareren - Laat uw machine te allen tijde door een gekwalificeerd persoon repareren om gevaarlijk gebruik te vermijden

WAARSCHUWING: Maak bij onderhoud enkel gebruik van identieke vervangende onderdelen

WAARSCHUWING: Laat een beschadigd stroomsnoer door de verkoper of een geautoriseerd service center vervangen

22 - Stekker horen overeen te komen met het te gebruiken stopcontact - Stekkers mogen niet aangepast worden. Gebruik geen adapters op geaarde machines. Overeenkomende stekkers en stopcontacten verminderen de kans op elektrische schok

23 - Indien het onvermijdelijk is elektrisch gereedschap te gebruiken in een vochtige omgeving, gebruik dan een energiebron met een aardlek beveiliging (Residual Current Device). Het gebruik van een RCD vermindert het risico op een elektrische schok

WAARSCHUWING: Wanneer de machine in Nieuw-Zeeland gebruikt wordt, met een lekstroom van 30 mA of lager, is het gebruik van een aardlekschakelaar aanbevolen

WAARSCHUWING: Voordat u de machine op de stroombron aansluit controleert u of het voltage van de stroombron overeenkomt met het voltage op het gegevensplaatje op de machine. Een stroombron met een hogere spanning kan zorgen voor ernstige verwondingen aan de gebruikers en schade aan de machine. Een stroombron met een lagere spanning kan de motor beschadigen. Plug de stekker bij twijfel niet in de stroombron.

Gepolariseerde steekkers (enkel voor Noord-Amerika) Voor het verminderen van het risico op elektrische schok, is de eenheid voorzien van een gepolariseerde stekker (Een blad is breder dan de andere). De stekker past slechts op één manier in een gepolariseerd contactpunt. Wanneer de stekker niet volledig in het contactpunt past, draait u de stekker om. Wanneer de stekker nog steeds niet past, neemt u contact op met een gekwalificeerd elektricien. De plug mag in geen enkele manier aangepast worden.

Tafelslijpmachine veiligheid



WAARSCHUWING!

- **Houd het gereedschap enkel vast bij de geïsoleerde greepoppervlakken, omdat de slijpsteen contact kan maken met het snoer.** Het doorsnijden van een onder spanning staande draad kan er voor zorgen dat blanke metalen onderdelen van het gereedschap eveneens onder spanning komen te staan en dat de gebruiker van het gereedschap een elektrische schok krijgt.
 - **De machine is ingedeeld in de klasse 1 categorie (geaard) en is uitgerust met een 3-aderige kabel en stekker.** Indien de kabel of de stekker beschadigd is, dient het product, om gevaarlijke situaties te vermijden, gerepareerd te worden door een geautoriseerd servicecenter.
 - **Het is sterk aan te bevelen het gereedschap steeds te gebruiken in combinatie met een aardlekbeveiliging met een nominale residuele stroom van ten hoogste 30 mA**
- a) **Draag gepaste persoonlijke beschermende uitrusting, met inbegrip van een veiligheidsbril en stofmasker.** Draag geen losse kleding noch sieraden, en bind lang haar op. Drink, eet en rook niet in de werkruimte. Houd kinderen uit de buurt van de machine
- b) **Zorg ervoor dat u steeds stevig staat en dat u niet over de roterende wielen leunt.** Er bestaat altijd een kans op terugslag, waarbij het werkstuk uit uw handen getrokken wordt en in uw richting geslingerd wordt.
- c) **Deze machine is ontworpen voor het slijpen van gereedschapsbladen en huishoudmessen.** Gebruik de machine niet voor andere slijpwerkzaamheden en niet voor het slijpen van andere materialen dan deze die gewoonlijk gebruikt worden voor mesbladen.
- d) **Het slijpen dient uitgevoerd te worden door personen die bekend zijn met de procedures, noodzakelijke technieken, en de bijbehorende risico's.** Deze handleiding beschrijft enkel de algemene werking van de machine en wordt niet verondersteld een professionele opleiding op het vlak van de metaalbewerking en het slijpen van gereedschappen te vervangen
- e) **Wanneer u enigszins onzeker bent betreft de juiste gebruikswijze van de machine, gebruik de machine dan NIET**
- f) **Volg de richtlijnen van de fabrikant betreft slijpen en onderhoud te allen tijde op.** Wanneer de richtlijnen onduidelijk zijn brengt u de machine terug naar de fabrikant
- g) **Probeer nooit bladen te slijpen die niet geslepen dienen te worden. Sommige bladen (zoals bepaalde machinebladen) dienen vervangen te worden wanneer deze bot, versleten of beschadigd zijn, en kunnen niet geslepen en hergebruikt worden**
- h) **Sommige bladen van handgereedschap en elektrisch gereedschap hebben een ingewikkelde vorm.** Wanneer een dergelijk blad geslepen kan worden, dient het naar de originele vorm geslepen te worden. Wijzig nooit de bestaande kenmerken van het blad. Wanneer u onzeker bent betreft het slijpen van speciaal gevormde bladen, laat u deze door de fabrikant of een getrainde technicus slijpen
- i) **Metaalbewerkingsmachines kunnen gevaarlijk zijn wanneer ze onjuist gebruikt worden.** Volg de algemene regels betreft een veilig gebruik van metaal bewerkingsmachines en handgereedschap steeds op
- j) **Zorg ervoor dat u steeds de juiste accessoires gebruikt voor het slijpen van specifieke gereedschappen.** Accessoires mogen niet aangepast te worden. Gebruik geen zelf-ontwikkelde accessoires en wijzig demachinenoit. De machine is mogelijk ongeschikt wanneer de accessoires, ontworpen voor specifieke slijpwerkzaamheden, niet verkrijgbaar zijn. Slijp bladen niet uit de vrije hand
- k) **Inspecteer de machine, de schijven en wielen en accessoires zorgvuldig voor elk gebruik.** Het gebruik van beschadigde slijpstenen of -wielen is ontzettend gevaarlijk en geeft mogelijk aanleiding tot ernstig letsel voor de gebruiker en voor eventuele omstaanders
- l) **Slijpstenen en -wielen moeten goed onderhouden zijn en moeten een effen slijpoppervlak vertonen.** Onderhoud slijpwielen grondig en bewerk een ongelijkmatig afgesleten slijpoppervlak met behulp van een gebruik van een slijpgereedschap

- m) **Zorg ervoor dat de voeding voldoet aan de aardingseisen van deze machine.** Verbind de machine nooit met een voeding zonder dat ze geaard is, of met een onbeschermd contactpunt zonder beschermende schakelaar of zekeringen. Raadpleeg een gekwalificeerde elektricien indien u niet zeker bent van de wijze waarop u deze machine veilig met een voedingsspanning kunt verbinden. Verkeerde of beschadigde elektrische verbindingen kunnen aanleiding geven tot elektrische schokken, brand, en tot schade aan de machine.

Productbeschrijving

1. Leren polijstwiel
2. Verticale bevestigingspunten voor steunarm
3. Vergrendelknop
4. Aan-/uitschakelaar
5. Water bak
6. Slijpsteen
7. Metalen sluitringen (x 2)
8. Borgmoer
9. Horizontale bevestigingspunten voor steunarm
10. Koppel stelknop

Inbegrepen accessoires:

11. Steunarm
12. Steunarm hoogte verstelling
13. Mesklem
14. Schuursteen
15. Polijst pasta
16. Moersleutel, 19 mm
17. Hoekgeleider

Gebruiksdoel

Tafelslijpmachine, voor het slijpen en polijsten van verschillende gereedschappen en bladen met het gebruik van verschillende mallen

Het uitpakken van uw gereedschap

- Pak uw toestel/gereedschap uit. Inspecteer het en zorg dat u met alle kenmerken en functies vertrouwd raakt
- Controleer of alle onderdelen aanwezig zijn en in goede staat verkeren. Als er onderdelen ontbreken of beschadigd zijn, zorg dan dat deze vervangen worden voor u dit toestel/gereedschap gebruikt

Voor gebruik

Het monteren van de slijpsteen en de waterbak

1. Plaats een sluitring (7) op de as met de gladde zijde naar de machine wijzend
2. Plaats de slijpsteen op de as met de ingezonken zijde, van de machine af wijzend zoals afgebeeld in de foto
3. Klik de waterbak (5) in positie. Zorg ervoor dat de slijpsteen onder de maximale waterlijn markering reikt, en aan beide zijde ruimte heeft om vrij te roteren
4. Plaats de andere sluitring op de as met de gladde zijde van de slijpsteen af wijzend
5. Plaats de borgmoer en draai deze met behulp van de 19 mm moersleutel (16) vast.

LET OP: Het schroefdraad op de as is in tegenoverstelde richting als normaal. Draai de moer tegen de richting van de wijzers van de klok in vast

6. Draai de slijpsteen een aantal keer met de hand rond om te zien of de het vrij en correct roteert

Het leren polijst wiel

1. De eenheid wordt bevestigd met de polijstschijf voor gemonteerd
2. Controleer, voor het gebruik van de machine, of de schijf goed vast zit
3. Draai de vergrendelknop (4) in de richting van de wijzers van de klok in om de polijstschijf vaster te draaien

LET OP: Draai de knop alleen met de hand vast

Het positioneren van de eenheid

- Plaats de eenheid op een vaste werkondergrond, waarbij alle poten stevig op de ondergrond staan

Let op: De machine is voorzien van 4 rubberen voeten voor het minimaliseren van trillingen. Plaats de machine niet op een oppervlak wat trillingen versterkt

- Zorg ervoor dat u een goede zichtbaarheid heeft op het werk. Tevens is genoeg beweegruimte erg belangrijk

Het vullen van de waterbak

1. Vul de waterbak (5) tot op de maximale waterlijn markering met schoon koud water
2. Zorg er bij het gebruik van de machine voor dat het water niveau hoog genoeg is, zodat het slijpvlak van de slijpsteen (7) te allen tijde niet blijft

Het rotatiesysteem inschakelen

1. Draai de rotatieschakel knop (10) in de richting van de wijzers van de klok totdat de knop dicht tegen de behuizing zit. Dit schakelt het rotatiesysteem in.
2. Draai de knop, na elk gebruik van de machine, los. Zo behoudt het aandrijfwiel de juiste vorm

Het gebruiken van de schuursteen

Gebruik de schuursteen (17) voor het bewerken van het slijpoppervlak van de slijpsteen.

Voor grof slijpen, en het snel verwijderen van grote hoeveelheden materiaal (vormen/scherp slijpen van een mesblad):

- Plaats de grove zijde van de schuursteen op de slijpsteen zodat het oppervlak opgeruwd wordt

voor het scherp slijpen van mesbladen:

- Plaats de gladdere zijde van de schuursteen op de slijpsteen zodat het oppervlak gladder wordt. Ideaal voor het scherp slijpen van mesbladen waarna u ze kunt polijsten op de polijstschijf

Het gebruiken van de mesklem

Gebruik de mesklem in combinatie met de steunarm (11) en de graden meter (17) zodat u het mesblad in de juiste hoek kunt stellen

1. Draai de knoppen op de achterzijde van de klem los
2. Plaats het mesblad in de klem. Zorg ervoor dat één zijde van het blad tegen de stops geplaatst is (Afb. A)
3. Draai de knoppen vast om het blad in positie te houden

Het gebruiken van de steunarm

- De steunarm (11) kan gemonteerd worden voor zowel: met de rotatierichting mee slijpen, als tegen de rotatierichting in slijpen

Het slijpen tegen de rotatierichting in:

1. Plaats de steunarm (11) in de verticale bevestigingspunten (2) (Afb. B)

Het slijpen met de rotatierichting mee

1. Plaats de steunarm (11) in de horizontale bevestigingspunten (9) (Afb. C)

WAARSCHUWING: Het polijsten van een mesblad kan alleen gedaan worden met de rotatierichting mee

- Bij het slijpen tegen de rotatierichting in verwijdt u sneller, grotere hoeveelheden dan wanneer u met de rotatierichting mee slijpt
- Het slijpen met de rotatierichting mee wordt gebruikt voor het precieze slijpwerk en het polijsten van messen.

- Neem uw tijd om het slijpen met verschillende materialen en afmetingen onder de knie te krijgen
- In het algemeen, bij scherp slijpen, plaatst u de steunarm in de verticale bevestigingspunten en slijpt u tegen de rotatierichting in
- Plaats de steunarm nooit in de verticale bevestigingspunten wanneer u voorwerpen gaat polijsten met de polijstschijf.

Het gebruiken van de hoek gradenmeter

- Gebruik de hoek gradenmeter (17) om het mes in de juiste hoek te bevestigen (afb. D)

1. Plaats het mesblad in de klem (15) en bevestig de steunarm
2. Gebruik de metingen/inkepingingen aan de rand van de meter voor het meten van de hoek waarin het mesblad geslepen is
3. Draai de vergrendelknop op de meter los en verstel de witte gradenboog zo, dat de zwarte pijltes uitgelijnd zijn met de juiste slijpsteen diameter markering (Afb. E)
4. Zet nu de wijzer op de benodigde hoek (als gemeten in stap 2), en draai de vergrendelknop vast (Afb. E)
5. Schroef de mesklem in de steunarm en laat het mesblad op de slijpsteen steunen
6. Plaats de afgeronde voet van de gradenmeter op de slijpsteen, en plaats het platte deel van de wijzer op het te slijpen mesblad (Afb. F)
7. Stel de hoogte van de steunarm in, met behulp van de hoogte verstelarm (12). Het platte deel van gradenmeter hoort plat op het mesblad te liggen
8. De slijphoek is nu juist

Gebruik

Belangrijke veiligheidspunten

- Gebruik de slijpmachine niet zonder het dragen van de juiste/benodigde bescherming, inclusief veiligheidsbril en stofmasker
- Draag te allen tijde snijbestendige handschoenen en ben voorzichtig bij het werken met messen
- Test de scherpheden van een mes niet op uw vingers (of andere delen van uw lichaam)
- Het slijp- en polijst wiel draaien in de richting, aangegeven door de pijl aan de bovenzijde van de machine
- Zorg ervoor dat de waterbak juist gemonteerd is en gevuld is met de juiste hoeveelheid water. Controleer het waterniveau regelmatig en vul de bak bij wanneer nodig. Slijp geen bladen wanneer de steen droog is
- Zorg ervoor dat het slijpoppervlak gelijk is
- Controleer of de slijpsteen vrij kan roteren voor elk gebruik van de machine
- Laat een nieuw wiel, voor gebruik, ongeveer een minuut onbelast draaien. Sta aan de zijkant van de machine bij het opstarten

Het in- en uitschakelen van de machine

1. Zorg ervoor dat de aan-/uitschakelaar (4) in de uit-stand staat
2. Sluit de machine op de stroombron aan
3. Om de machine in te schakelen drukt u op de (I) zijde van de aan-/uitschakelaar
4. Om de machine uit te schakelen drukt u op de (O) zijde van de aan-/uitschakelaar
5. Ontkoppel de machine van de stroombron wanneer het slijpwerk voltooid is

Het slijpen van een mesblad

- Oefen een even druk op het mes uit
- Schuif de mesklem heen en weer over de steunarm zodat het mes gelijk geslepen wordt
- Druk niet te hard op het mesblad. Een lichte druk is genoeg

Slijpen zonder de mesklem

- Wanneer het werkstuk te groot is voor de mesklem kunt u de steunarm (11) monteren en het werkstuk op de arm laten rusten. Dit help u bij het stabiel houden van het werkstuk

- Schuif het mes heen en weer over de slijpsteen zodat het mes gelijk geslepen wordt en de slijpsteen gelijk slijt

Let op: Een steunarm verlengstuk (TWSSAE) en verschillende andere accessoires zijn verkrijgbaar bij uw Triton handelaar. Het is aanbevolen gebruik te maken van geschikte accessoires bij elk slijpwerk

Het polijsten van een mesblad

- Na het scherp slijpen van een mesblad gebruikt u het leren polijst wiel voor het verwijderen van bramen. Zo geeft u het mesblad een fijne scherpe rand

WAARSCHUWING: Polijst altijd met de rotatierichting mee

1. Zorg ervoor dat de machine niet is aangesloten op een stroombron
2. Maak de steunarm (11) en klem klaar voor gebruik (Afb. C). Gebruik de hoek gradenmeter en controleer of de hoek van het mesblad juist is
3. Breng polijstpasta (15) op het leren polijst wiel (1) aan. Het polijsten verspreidt de pasta over de gehele band
4. Zet de machine aan en beweeg het mesblad over de band waarbij minimaal de halve breedte van het wiel in contact staat met het mes
5. Oefen geen hoge druk uit op het wiel maar laat het wiel zelf het werk doen
6. Beweeg de klem heen en weer zodat het mes gelijk gepolijst wordt
7. Polijst geen mesbladen zonder de pasta. Bij het polijsten van meerdere mesbladen kan het mogelijk zijn dat u na het slijpen van een aantal bladen, meer pasta zult moeten aanbrengen op het wiel

Polijsten zonder de mesklem

- Wanneer het werkstuk te groot is voor de mesklem kunt u de steunarm (11) monteren en het werkstuk op de arm laten rusten. Dit help u bij het stabiel houden van het werkstuk
- Schuif het mes heen en weer over de steunarm zodat het mes gelijk gepolijst wordt

Het verwijderen van de productie markeringen

- Het productieproces laat af en toe markeringen achter op het zijoppervlak van mesbladen
- U kunt deze markeringen verwijderen door het oppervlak op de zijkant van de slijpsteen te slijpen
- Oefen bij het slijpen van het mes geen extreme druk uit. Voorkom het contact tussen uw vingers en de slijpsteen
- Voer deze procedure uit voordat u mesbladen scherp slijpt

Afwerking

1. Schakel het rotatiesysteem uit door de rotatieschakel knop (10) los te draaien. Zo behoudt het aandrijfwiel de juiste vorm
2. Maak de waterbak leeg. De slijpsteen mag nooit in water gedompeld blijven

WAARSCHUWING: Laat het slijpwiel nooit in water gedompeld

Accessoires

- Verschillende accessoires zijn verkrijgbaar bij uw Triton handelaar
- Beeldhouwgereedschapsklem (TWSCTJ)
- Turning Gouge Jig (TWSGTJ)
- Schaar klem (TWSSJ)
- Lange messen klem (TWSLJK)
- Rondingslijpklem (TWSPCJ)
- Rechte rand klem (TWSEJ)
- Steunarm verlengstuk (TWSSAE)
- Gereedschapsteun (TWSTR)
- Slijphoek opzet mal (TWSGAJ)
- Steen slijper (TWSSG)
- Slijpsteen schuurdiamant (TWSDDT)
- Machine beschermhoes (TWSWSC)
- Metaal polijst (TWSMP)
- Vervangende slijp- en polijstwielen zijn verkrijgbaar bij uw Triton handelaar. Reserve onderdelen zijn verkrijgbaar via toolsparsonline.com

Onderhoud

Algemene inspectie

- Controleer regelmatig of alle bevestigingsmiddelen nog goed vast zitten. Door vibratie kunnen ze na enige tijd los gaan zitten
- Inspecteer het stroomsnoer voor elk gebruik op slijtage en beschadiging. Reparaties dienen uitgevoerd worden bij een geautoriseerd Triton service center. Dit geldt tevens voor verlengsnoeren, gebruikt met de machine

Schoonmaak

- Houd uw machine te allen tijde schoon. Vuil en stof doen de interne onderdelen snel slijten, wat de levensduur aanzienlijk vermindert. Maak de machine met een zachte borstel of droge doek schoon. Gebruik wanneer mogelijk zuivere, droge perslucht om door de luchtgaten te blazen

Slijpsteen onderhoud

- Gebruik geen beschadigde slijpstenen. Een slijpsteen met scheuren of breuken, vooral aan de rand van de steen, moeten vervangen worden
- Vervang een beschadigd slijpwiel onmiddellijk
- Zorg ervoor dat een even slijpoppervlak behouden blijft. Gebruik de slijpdiamant TWSDDT (apart verkrijgbaar) om het slijpoppervlak te herstellen
- Zie: "Montage" voor het monteren van een slijpsteen.

Let op: Het schroefdraad van de as is in tegenovergestelde richting getapt: linksom is vast, rechtsom is los

Het vervangen van het polijst wiel

Wanneer het polijst wiel versleten raakt hoort deze vervangen te worden:

1. Schroef de vergrendelknop (4) los en verwijder deze van as
2. Verwijder het versleten polijst wiel van de as, en plaats het nieuwe wiel in positie
3. Draai de vergrendelknop terug vast op de as

Let op: Draai de vergrendelknop alleen met de hand aan

Opberging

- Verwijder het water uit de waterbak, maak de machine schoon en bedek de machine voordat u deze opbergt
- Berg de machine nooit met een vochtige slijpsteen op. Zorg ervoor dat het wiel volledig droog is voordat u de machine bedekt en opbergt
- Berg de machine op een droge en veilige plek, buiten het bereik van kinderen op

Verwijdering

Bij de verwijdering van elektrische machines neemt u de nationale voorschriften in acht.

- Elektrische en elektronische apparaten en accu's mogen niet met uw huishoudelijk afval worden weggegooid
- Neem contact op met uw gemeente voor informatie betreffende de verwijdering van elektrisch gereedschap

Garantie

Om uw garantie te registreren, gaat u naar onze website op www.tritontools.com* en voert u uw gegevens in.

Uw gegevens worden opgeslagen in onze mailinglist (tenzij u anders aangeeft) voor informatie over nieuwe producten. De ingevulde gegevens worden aan geen enkele andere partij beschikbaar gesteld.

Aankoopgegevens

Datum van aankoop: ___ / ___ / ___

Model: TWSS10

Bewaar uw aankoopbon als aankoopbewijs rt pr

EG-verklaring van overeenstemming

De ondergetekende: Mr. Darrell Morris

Gemachtigd door: Triton Tools

Verklaart dat

Identificatienummer: 949257

Beschrijving: Tafelslijpmachine

Voldoet aan de volgende richtlijnen:

- Machinerichtlijn 2006/42/EG
- Richtlijn laagspanning 2006/95/EG
- Elektromagnetische verenigbaarheid 2004/108/EG
- Richtlijn 2011/65/EU Geluid door mobiele werktuigen
- EN 61029-1:2009+A11:2010
- EN 61000-3-2:2006/+A1:2009/+A2:2009
- EN61000-3-3: 2013
- EN 55014-1:2006/+A1:2009/+A2:2011
- EN 55014-2: 1997/+A1:2001/+A2:2008
- EN 50581:2012

Triton Precision Power Tools garandeert de koper van dit product dat indien een onderdeel defect is vanwege fouten in materiaal of uitvoering binnen 3 jaar na de datum van de oorspronkelijke aankoop,

Triton het defecte onderdeel gratis repareert of, naar eigen inzicht, vervangt.

Deze garantie heeft geen betrekking op commercieel gebruik en strekt zich niet uit tot normale slijtage of schade ten gevolge van een ongeluk, verkeerd gebruik of misbruik.

* Registreer online binnen 30 dagen.

Algemene voorwaarden van toepassing.

Keuringsinstantie: Intertek

De technische documentatie wordt bijgehouden door: Triton Tools

Datum: 04-03-2015

Handtekening:



Darrell Morris

Algemeen directeur

Naam en adres van fabrikant:

Powerbox International Limited, handelsregister nummer 06897059.

Geregistreerd adres: Central House, Church Street, Yeovil, Somerset BA20 1HH, Verenigd Koninkrijk

Traductions des instructions originales

Nous vous remercions d'avoir choisi cet équipement Triton. Ces instructions contiennent les informations nécessaires au fonctionnement efficace et sûr de ce produit. Veuillez lire attentivement ce manuel pour vous assurer de tirer pleinement avantage des caractéristiques uniques de votre nouvel équipement. Gardez ce manuel à portée de main et assurez-vous que tous les utilisateurs l'aient lu et bien compris avant toute utilisation.

Symboles



Port de protection auditive
Port de lunettes de sécurité
Port du masque respiratoire
Port du casque



Lire le manuel d'instructions



Conforme à la réglementation et aux normes européennes de sécurité pertinentes (Pour modèle UE seulement)



Attention !



Construction de classe I (Mise à la terre)



Usage à l'intérieur seulement !



Protection de l'environnement

Les produits électriques usagés ne doivent pas être jetés avec les ordures ménagères. Veuillez les recycler dans les centres prévus à cet effet. Pour de plus amples informations, veuillez contacter votre municipalité ou point de vente.



ATTENTION : Ce produit est lourd : deux personnes sont nécessaires pour assembler l'appareil.

Spécification

Numéro de produit :	TWSS10
Tension :	220 V - 240 V~, 50/60 Hz, 120 W
Entrainement :	Moteur à induction
Vitesse à vide :	125 min ⁻¹
Meule :	Ø250 x 50 mm
Disque de démorfilage:	Ø230 x 30 mm
Alésage :	Ø12 mm
Longueur du câble d'alimentation :	2 m
Classe de protection :	
Dimensions (L x l x W) :	345 x 370 x 270 mm
Poids :	14,5 kg
Informations sur le niveau d'intensité sonore et vibratoire	
Pression acoustique L _{PA} :	86,2 dB(A)
Puissance acoustique L _{WA} :	99,2dB (A)
Incertitude K :	3 dB

Attention : Portez toujours des protections sonores lorsque le niveau d'intensité est supérieure à 85 dB(A) et limitez le temps d'exposition si nécessaire. Si l'intensité sonore devient inconfortable, même avec les protections, arrêtez immédiatement d'utiliser l'appareil, vérifiez que les protections sont bien en places et adaptés avec le niveau sonore produit par l'appareil.

Attention : L'exposition de l'utilisateur aux vibrations peut engendrer une perte de toucher, des engourdissements, des picotements et ainsi réduire la capacité de préhension. De longues expositions peuvent également provoquer ces symptômes de façon chronique. Si nécessaire, limitez le temps d'exposition aux vibrations et portez des gants anti-vibrations. N'utilisez pas cet appareil lorsque la température de vos mains est en dessous des températures normales, car l'effet vibratoire en est accentué. Référez-vous au cas de figures des caractéristiques relatives aux vibrations pour calculer le temps et fréquence d'utilisation de l'appareil.

Les niveaux sonores et vibratoires des caractéristiques techniques sont déterminés en fonction de la norme EN60745 ou autres normes internationales. Ces données correspondent à un usage normale de l'appareil, et ce dans des conditions de travail normales. Un appareil mal entretenu, mal assemblé ou mal utilisé peut augmenter les niveaux sonores et vibratoires. Pour plus d'informations sur la directive des émissions sonores et vibratoires, visitez le site <http://osha.europa.eu/fr>.

Consignes générales de sécurité relatives aux appareils électriques

ATTENTION ! Veuillez lire l'intégralité des consignes de sécurité et des instructions. Le non-respect de ces consignes et instructions peut entraîner un risque de choc électrique, d'incendie et/ou se traduire par des blessures graves.

ATTENTION : Cet appareil n'est pas conçu pour être utilisé par des personnes (enfants compris) ayant des capacités physiques ou mentales réduites, ou n'ayant pas la connaissance ou l'expérience requise, à moins d'être sous la supervision d'une personne responsable de leur sécurité ou d'avoir reçu les instructions nécessaires. Les enfants ne doivent pas s'approcher et jouer avec cet appareil.

AVERTISSEMENT : Utiliser l'appareil électrique, les accessoires et outils à monter conformément à ces instructions, en tenant compte des conditions de travail et de la tâche à réaliser. Toute utilisation d'un appareil électrique autre que celle pour laquelle il a été conçu peut entraîner des situations à risque.

L'expression « appareil électrique » employée dans les présentes consignes recouvre aussi bien les appareils filaires à brancher sur le secteur que les appareils sans fils fonctionnant sous batterie.

- 1. Maintenir une zone de travail propre.** Des zones encombrées et mal éclairées sont sources d'accidents.
 - 2. Prendre en compte la zone de travail :**
 - Ne pas exposer les outils à la pluie,
 - Ne pas utiliser les outils dans des endroits humides,
 - Travailler dans une zone bien éclairée,
 - Ne pas utiliser d'outils électriques dans des environnements explosifs, tels qu'à proximité de liquides, de gaz ou de poussières inflammables.
 - 3. Éviter les décharges électriques :** Éviter le contact corporel avec les surfaces mises à la terre telles que tuyaux, radiateurs, cuisinières et réfrigérateurs.
 - 4. Éloigner les personnes aux alentours.** Ne laisser aucune personne dont la présence n'est pas nécessaire, surtout les enfants, s'approcher de la zone de travail et d'être en contact avec l'appareil.
 - 5. Ranger les appareils électriques inutilisés dans un endroit sûr, sec et hors de portée des enfants.**
 - 6. Ne pas forcer sur l'appareil électrique.** Un appareil électrique adapté et employé au rythme pour lequel il a été conçu permettra de réaliser un travail de meilleure qualité et dans de meilleures conditions de sécurité
 - 7. Utiliser l'appareil électrique approprié au travail à effectuer.** Ne pas utiliser de petits outils pour de tâches lourdes.
 - 8. Porter des vêtements appropriés.**
 - Ne pas porter de vêtements amples ou des bijoux pendants qui peuvent être happés par les pièces en rotation.
 - Le port de chaussures antidérapantes est recommandé en extérieur.
 - Attacher ou protéger les cheveux longs.
 - 9. Porter un équipement de protection approprié.**
 - Porter une protection oculaire.
 - Porter un masque à poussières lors de travaux créant de la poussière.
- ATTENTION :** Ne pas porter d'équipements de protection ou de vêtements appropriés peut engendrer et aggraver des blessures.
- 10. Brancher un système d'extraction de la poussière :** si l'appareil est pourvu de dispositifs destinés au raccord d'équipements d'extraction et de récupération de la poussière/sciure, s'assurer qu'ils soient bien fixés et utilisés correctement.
 - 11. Ne pas maltraiter le cordon électrique.** Ne jamais utiliser le cordon électrique pour porter, tirer ou débrancher l'appareil. Protéger le cordon électrique de la chaleur, du contact avec l'essence, des bords tranchants et pièces rotatives. Un cordon électrique endommagé ou entortillé accroît le risque de décharge électrique.
 - 12. Immobiliser votre travail.** Si possible, utiliser des serre-joints ou un étau pour maintenir la pièce de travail. C'est plus sûr et efficace que de tenir avec la main.
 - 13. Ne pas essayer d'atteindre une zone hors de portée.** Se tenir toujours en position stable permettant de conserver l'équilibre.

14. Veiller à l'entretien des appareils électriques.

- Veiller à ce que les outils de coupe soient tenus affûtés et propres.
- Suivre les instructions de lubrification et de changement des accessoires.
- Vérifier régulièrement les câbles et les faire réparer /remplacer par un centre agréé.
- Vérifier également l'état des rallonges utilisées.
- Travailler avec des mains propres (sans graisse ni huile) et sèches.

ATTENTION : de nombreux accidents sont dus à l'utilisation d'appareils électriques mal entretenus

15. Débrancher l'appareil électrique. Lorsque l'appareil n'est pas utilisé, ou avant toute opération d'entretien ou de changement d'accessoires, veiller à débrancher l'appareil de sa source d'alimentation.

ATTENTION : utiliser des accessoires non recommandés par le fabricant peut engendrer des blessures.

16. Enlever les clés et outils de réglage. Prendre l'habitude de retirer ces outils avant de mettre l'appareil en marche.

17. Éviter tout démarrage accidentel ou intempestif. S'assurer que l'interrupteur marche-arrêt soit en position d'arrêt avant de brancher l'appareil sur l'alimentation secteur ou d'installer la batterie, de prendre l'appareil ou de le transporter.

ATTENTION : des démarrages accidentels peuvent être dangereux.

18. Usage en extérieur : Lors d'une utilisation de l'appareil électrique en extérieur, se servir d'une rallonge appropriée à une utilisation en extérieur. Cela réduit le risque de décharge électrique.

19. Rester vigilant.

- Faire preuve de bon sens lors de la manipulation de l'appareil.
- Ne pas utiliser un appareil électrique lorsque l'on se trouve dans un état de fatigue, ou sous l'influence de drogues, d'alcool ou de médicaments.

ATTENTION : un moment d'inattention pendant l'utilisation d'un outil électrique peut se traduire par des blessures graves.

20. Inspecter les pièces endommagées

- Avant d'utiliser un appareil, toujours vérifier qu'il soit en bon état de marche.
- Vérifier que les éléments rotatifs soient bien alignés et non grippés. S'assurer de l'absence de pièces cassées ou endommagées susceptibles de nuire au bon fonctionnement de l'appareil.
- Une protection ou partie défectueuse doit être réparée ou remplacée par un centre agréé, sauf en cas d'indication du manuel.
- Les interrupteurs défectueux doivent être remplacés par un centre agréé.

ATTENTION : ne pas utiliser un appareil électrique dont la commande ne s'effectue plus par l'interrupteur marche-arrêt. Il est dangereux et doit être réparé.

21. Ne faire réparer votre appareil électrique que par un réparateur qualifié. Cet appareil est conforme aux normes de sécurité en vigueur. Cela permet de maintenir la sécurité d'utilisation de l'appareil électrique et d'éviter des risques considérables pour l'utilisateur.

ATTENTION : utiliser uniquement des pièces de rechange identiques.

ATTENTION : si le câble d'alimentation est endommagé, le faire remplacer par un centre agréé.

22. La prise d'un appareil électrique doit être adaptée à la prise du secteur. Ne jamais modifier la prise en aucune façon. Ne jamais utiliser d'adaptateur sur la prise électrique d'appareil mis à la terre. Des prises non modifiées, adaptées aux boîtiers de prise de courant, réduiront le risque de décharge électrique.

23. Si une utilisation de l'appareil électrique dans un environnement humide ne peut être évitée, utiliser une alimentation protégée par un disjoncteur différentiel. L'utilisation d'un disjoncteur différentiel réduit le risque de décharge électrique.

ATTENTION : Lorsque utilisé en Australie ou en Nouvelle Zélande, il est recommandé que cet appareil soit toujours alimenté via un disjoncteur différentiel ayant un courant résiduel de 30 mA ou moins.

ATTENTION : Avant de brancher un appareil sur une source d'alimentation (prise secteur, groupe électrogène, etc.) assurez-vous que la tension fournie soit la même que celle spécifiée sur la plaque de l'appareil. Une source d'alimentation avec une tension supérieure à celle indiquée sur l'appareil peut engendrer de sérieuses blessures pour l'utilisateur et endommager l'appareil. En cas de doute, ne branchez pas l'appareil. Une source d'alimentation avec une tension inférieure à celle indiquée sur l'appareil est néfaste pour le moteur.

Prises polarisées (uniquement pour les pays de l'Amérique du Nord). Pour réduire les risques de chocs électriques, cet appareil comporte une prise polarisée (une des fiches est plus large que l'autre). Cette prise se branche dans une prise de courant polarisée uniquement dans un sens. Si la prise ne rentre pas complètement, inverser la prise. Sinon, contacter un électricien qualifié pour installer une prise de courant adaptée. Ne pas changer la prise de l'appareil.

Consignes de sécurité relatives aux appareils d'affûtage à eau



ATTENTION !

- **Tenez toujours l'outil par ses surfaces de préhension isolées au cas où la meule rentrerait en contact son cordon d'alimentation.** Couper un fil sous tension peut mettre les parties métalliques de l'outil sous tension et exposer l'opérateur à un choc électrique.
 - **Cette machine est de catégorie Classe 1 (mis à la terre) et dispose d'un cordon d'alimentation et d'une prise à 3 fils.** Si le câble est endommagé, le produit devrait être révisé par un centre technique autorisé afin d'éviter les risques.
 - **Il est fortement recommandé d'alimenter cet outil via un interrupteur à courant résiduel dont le courant résiduel nominal est de 30 mA ou moins.**
- a) **Portez un équipement de protection adapté comprenant des lunettes de protection et une protection respiratoire.** NE portez PAS de vêtements amples, ENLEVEZ vos bijoux et attachez les cheveux longs. NE mangez PAS, NE buvez PAS, NE fumez PAS dans la zone de travail. Gardez les enfants à distance.
 - b) **Tenez-vous TOUJOURS dans une position sûre lorsque vous travaillez sur cette machine.** Ne vous penchez JAMAIS au-dessus des meules en fonctionnement et ne vous penchez pas trop pour travailler. Soyez TOUJOURS prêt à réagir en cas de rebond. En fonction de l'orientation et du sens de rotation de la meule la pièce à travailler peut être arrachée de vos mains ou projetée dans votre direction.
 - c) **Cette machine est prévue pour l'affûtage des outils et des lames.** Elle n'est pas prévue pour être utilisée pour d'autres tâches de meulage ou pour meuler d'autres matériaux qui ne sont pas traditionnellement utilisés pour la fabrication de lames.
 - d) **L'affûtage doit être effectué par une personne habituée à la procédure, connaissant la technique et les dangers possibles.** Ce manuel ne fait qu'indiquer le fonctionnement général de la machine et ne peut remplacer une formation complète sur le travail du métal et des outils d'affûtage.
 - e) **Si vous n'êtes pas sûr de comment utiliser cette machine en toute sécurité pour affûter des outils dans le respect des règles des consignes de sécurité, NE l'utilisez PAS**
 - f) **Conformez-vous TOUJOURS aux consignes du fabricant en ce qui concerne l'affûtage et l'entretien.** Si les consignes ne sont pas claires, retournez l'outil au fabricant pour le faire affûter.
 - g) **N'affûtez JAMAIS une lame n'étant pas conçue pour être affûtée.** Certaines lames (comme celles des outils) doivent être remplacées lorsqu'elles sont usées ou endommagées, et ne DOIVENT PAS être affûtées.
 - h) **Certains outils manuels ou électriques ont une géométrie complexe.** S'il est possible d'affûter une telle lame, la géométrie originale DOIT être restaurée. N'altérez JAMAIS les caractéristiques existantes d'une lame. Si vous n'êtes pas sûr de la façon dont il faut procéder, faites aiguiser la lame auprès du fabricant ou par un technicien.

- i) **Les machines servant au travail du métal peuvent être dangereuses lorsqu'elles ne sont pas utilisées correctement.** Conformez-vous toujours aux consignes et aux procédures concernant l'utilisation des machines et des outils de travail du métal.
- j) **Utilisez TOUJOURS le bon accessoire pour affûter un outil spécifique.** N'altérez jamais les accessoires ou les gabarits. N'utilisez jamais d'accessoire « fait maison », ne modifiez jamais la machine. Cet appareil peut s'avérer inutilisable si un accessoire prévu pour une tâche d'affûtage spécifique n'est pas disponible. N'affûtez PAS d'outils sans accessoire pour les tenir.
- k) **Inspectez la machine, ses disques, meules et accessoires avant chaque utilisation.** L'utilisation de meules abrasives endommagées est **EXTRÊMEMENT DANGEREUSES** et peut entraîner des blessures graves sur l'utilisateur et les personnes présentes.
- l) **Les meules abrasives doivent être entretenues et doivent présenter une surface régulière.** Utilisez un redresse-meule ou un outil à tourner lorsque la meule présente une surface irrégulière.
- m) **Assurez-vous que le circuit électrique est mis à la masse afin de satisfaire aux besoins de la machine.** Ne le branchez jamais sur un circuit électrique n'étant pas mis à la masse, ou sur une prise électrique non protégée par un disjoncteur ou des fusibles. Si vous ne savez pas comment brancher cette machine de manière sûre, demandez à un électricien qualifié.

Nomenclature

1. Disque de démorfilage en cuir
2. Plots de fixation à la verticale du bras de support
3. Bouton de serrage
4. Interrupteur
5. Bac à eau
6. Meule
7. Rondelle métallique (x 2)
8. Écrou de serrage
9. Plots de fixation à l'horizontale du bras de support
10. Bouton de couplage de la meule

Accessoires fournis :

11. Bras de support
12. Régulateur de hauteur du bras de support
13. Bâti d'affûtage
14. Prépare-meule
15. Pâte d'affilage
16. Clé 19 mm
17. Guide d'angle

Usage conforme

Outil d'affûtage et d'aiguillage humide à basse vitesse pour un grand nombre d'outils et de lames grâce à des gabarits spécifiques (en option).

Déballez votre produit

- Déballez le produit avec soin. Veillez à retirer tous les matériaux d'emballage et familiarisez-vous avec toutes les caractéristiques du produit.
- Si des pièces sont endommagées ou manquantes, faites-les réparer ou remplacer avant d'utiliser l'appareil.

Avant utilisation

Montage de la meule et du bac à eau

1. Insérez une rondelle métallique (7) sur l'arbre, en vous assurant que sa collerette soit détournée du corps de la machine.
2. Placez la meule (6) sur l'arbre, son centre en creux étant détourné du corps de la machine (voir image).

3. Installez le bac à eau (5) en le clipant. Servez-vous des points de fixation les plus appropriés par rapport à la taille de la meule pour permettre à celle-ci de toujours rester sous le niveau maximum de l'eau (indiqué sur le bac : MAX WATER LEVEL).
4. Insérez l'autre rondelle métallique (7) sur l'arbre, en vous assurant que sa collerette soit tournée vers la meule.
5. Serrez l'ensemble au moyen de l'écrou de serrage (8). Utilisez la clé fournie (16) pour bien serrer.

REMARQUE : L'arbre présente un filetage inverse, il vous faudra donc tourner l'écrou dans le sens contraire des aiguilles d'une montre.

6. Faites tourner la meule à la main quelques fois pour vous assurer qu'elle tourne sans entrave et sans osciller.

Disque de démorfilage en cuir

1. La machine présente un disque de démorfilage en cuir (1) préalablement installé.
2. Avant utilisation, vérifiez que le montage du disque de démorfilage soit sûr.
3. Au besoin, tournez le bouton de serrage (3) dans le sens des aiguilles d'une montre afin de le resserrer.

REMARQUE : Serrez uniquement à la main.

Mise en place de la machine

- Installez la machine sur un plan de travail solide en vous assurant qu'elle ne soit pas bancale.

Remarque : Cet appareil dispose de pied à caoutchouc afin de réduire les vibrations. Placez-le sur une surface permettant de ne pas amplifier les vibrations de l'outil.

- Assurez-vous de travailler dans un endroit bien éclairé et de disposer de suffisamment d'espace autour de vous.

Remplissage du bac à eau

1. Versez dans le bac à eau (5) suffisamment d'eau froide et propre pour atteindre le niveau maximum de remplissage (MAX WATER LEVEL indiqué sur le côté du bac à eau).
2. À l'usage, assurez-vous que le niveau d'eau soit toujours suffisamment haut pour maintenir la surface de la meule (6) immergée.

Couplage du système d'entraînement

1. Serrez le bouton de couplage de la meule (10) en le faisant tourner dans le sens des aiguilles d'une montre jusqu'à ce qu'il vienne buter contre le corps de la machine. Cela provoque le couplage au système d'entraînement.
2. Après emploi, desserrez toujours le bouton de couplage de la meule pour prévenir toute déformation de la roue d'entraînement.

Utilisation du prépare-meule

Le prépare-meule (14) sert à dresser la meule pour obtenir des grains fins ou grossiers :

Pour un meulage grossier, permettant un enlèvement rapide du métal (par exemple, pour façonner rapidement une lame) :

- Appliquez le côté le plus grossier du prépare-meule sur la meule afin de fortement dépolir la surface de la meule.

Pour un meulage fin, permettant d'affiler la lame :

- Appliquez le côté lisse du prépare-meule sur la meule pour produire une surface aux grains plus fins, idéale pour aiguiser la lame avant de procéder au polissage final du tranchant sur le disque de démorfilage en cuir.

Utilisation du bâti d'affûtage

Le bâti d'affûtage s'utilise conjointement au bras de support (11) et au guide d'angle (17) pour disposer précisément la lame à l'angle requis au moment de l'affûtage.

1. Desserrez les boutons du bâti d'affûtage (13).
2. Placez la lame dans le bâti de sorte qu'un bord de la lame repose contre les butées terminales (Image A).
3. Resserrez les boutons pour fixer la lame en place.

Utilisation du bras de support

- Il est possible d'installer le bras de support (11) pour procéder à un meulage dans le sens de rotation de la meule, ou dans le sens inverse.

Pour affûter contre le sens de rotation :

1. Installez le bras de support (11) dans les plots de fixation à la verticale (2) (Image B).

Pour affûter et démorfiler dans le sens de rotation :

1. Installez le bras de support (11) dans les plots de fixation à l'horizontale (9) (Image C).

ATTENTION : Le démorfilage doit s'effectuer UNIQUEMENT dans le sens de rotation de la meule.

- Un affûtage contre le sens de rotation permet d'éliminer plus rapidement de grandes quantités de matériau qu'il n'est possible en procédant dans le sens de rotation.
- Un affûtage dans le sens de rotation permet un affilage très précis et est recommandé pour les outils plus affinés et au démorfilage.
- Donnez-vous le temps de vous exercer et d'essayer les diverses techniques avec des lames de différents types et différentes dimensions pour réaliser l'angle d'affûtage idéal et pour parvenir à un affûtage d'équerre par rapport à la surface de la meule.
- En règle générale, pour effectuer un affûtage, placez le bras de support dans les plots de fixation à la verticale et procédez contre le sens de rotation.
- Ne placez JAMAIS le bras de support dans les plots de fixation à la verticale lorsque vous utilisez le disque de démorfilage en cuir. Tout démorfilage effectué contre le sens de rotation endommagera gravement le disque de démorfilage.

Utilisation du guide d'angle

- Le guide d'angle (17) permet de régler la lame à l'angle d'affûtage précis. (Image D)

1. Montez la lame dans le bâti d'affûtage (13) et installez le bras de support dans les plots de fixation.
2. Servez-vous de la jauge angulaire située sur l'extérieur du guide d'angle pour mesurer l'angle d'inclinaison de la lame.
3. Desserrez le bouton de serrage situé sur le guide d'angle et réglez le rapporteur de manière que les flèches noires soient positionnées sur la mesure indiquant le diamètre correct de la meule (Image E).
4. Réglez ensuite l'indicateur pointu sur l'angle d'inclinaison requis de la lame (mesuré lors de l'étape 2, décrite ci-dessus) et resserrez le bouton de serrage (Image E).
5. Enfilez le bâti d'affûtage sur le bras de support de manière que la lame repose contre la meule.
6. Placez la base incurvée du guide d'angle sur la meule et la section plate de l'indicateur pointu sur la lame à affûter (Image F).
7. A l'aide du régulateur de hauteur du bras de support (12), réglez la hauteur du bras de support pour que la section plate de l'indicateur pointu du guide d'angle repose parfaitement à plat sur la lame.
8. L'angle d'affûtage sera à présent correct.

Mode d'emploi

Consignes de sécurité importantes

- N'employez jamais cet appareil sans porter d'équipement de sécurité complet, dont des lunettes de sécurité homologuées et une protection faciale.
- Portez des gants résistants à la coupe et manipulez toujours les lames avec soin.
- Ne testez PAS l'affilage d'une lame sur votre doigt (ou toute autre partie du corps).
- La meule et le disque de démorfilage tournent dans le sens indiqué par la flèche située sur le dessus de la machine, à proximité des plots de fixation à l'horizontale.

- Assurez-vous que le bac à eau est installé correctement et qu'il contient assez d'eau avant de commencer. Vérifiez le niveau d'eau régulièrement et rajoutez-en si nécessaire. N'essayez JAMAIS d'aiguiser une lame lorsque la meule est sèche ; cela peut être dangereux.
- Assurez-vous que la surface de la meule est régulière et que le grain correspond à la tâche à accomplir.
- Vérifiez que la meule tourne sans entrave avant toute première opération.
- Laissez toujours une roue neuve tourner une minute avant de l'utiliser. Placez-vous sur le côté de l'appareil au moment du démarrage.

Mise en marche/arrêt

1. Assurez-vous que l'interrupteur (4) soit dans la position éteinte (O).
2. Branchez la machine sur le secteur.
3. Pour allumer l'appareil, faites passer l'interrupteur en position (I).
4. Pour l'éteindre, faites passer l'interrupteur en position (O).
5. Débranchez l'appareil quand le travail est terminé.

Affûtage d'une lame

- Appliquez la lame sur la meule en exerçant une pression uniforme.
- Faites coulisser le bâti d'affûtage d'un côté et de l'autre sur le bras de support pour assurer un affûtage uniforme de la lame et une usure uniforme de la meule.
- N'appuyez pas trop fort. Une légère pression suffit pour obtenir un affûtage de bonne qualité.

Affûtage sans l'aide du bâti d'affûtage

- Si la pièce à affûter est trop grosse pour permettre l'utilisation du bâti, il est possible d'installer le bras de support (11) sur l'appareil et de s'en servir comme support pour la pièce à affûter. Placez-vous derrière la lame. Cela vous aidera à mieux tenir la lame et à conserver le bon angle d'affûtage.
- Déplacez la lame d'un côté et de l'autre sur la largeur de la meule pour assurer une usure uniforme de celle-ci et un affûtage uniforme de la lame.

Remarque : Une rallonge de bras de support (TWSSAE) et de nombreux gabarits comme un gabarit d'affûtage pour couteaux longs (TWSLKJ) sont disponibles chez votre revendeur Triton. Il est recommandé d'utiliser des outils adaptés lors de l'affûtage avec cet appareil.

Démorfiler une lame

- Une fois l'affûtage réalisé, utilisez le disque de démorfilage en cuir pour éliminer toute bavure métallique encore présente sur la lame et pour lui donner un tranchant net.

ATTENTION : Procédez toujours au démorfilage d'une lame dans le sens de la rotation du disque. Ne procédez JAMAIS contre le sens de rotation.

1. Vérifiez que la machine soit débranchée avant d'entreprendre tout réglage.
2. Montez le bras de support (11) et le bâti de la manière indiquée dans l'image C. Au moyen du guide d'angle, vérifiez que l'angle de la lame est correct.
3. Appliquez une quantité généreuse de pâte d'affilage (15) directement sur le disque de démorfilage en cuir (1). La pâte s'étalera sur le disque au cours du démorfilage.
4. Allumez la machine et déplacez la lame sur la largeur du disque de démorfilage, en vous assurant que la lame reste en contact avec le disque sur au moins la moitié de la largeur du disque.
5. Laissez le disque de démorfilage faire le plus gros du travail. N'appliquez pas de force excessive.
6. De même que pour l'affûtage, déplacez le bâti d'un côté et de l'autre sur le bras de support pour garantir un démorfilage uniforme de la lame.
7. Ne procédez pas sans avoir préalablement appliqué de la pâte sur le disque. Faites plusieurs applications de pâte lors du démorfilage de plusieurs lames. Éteignez la machine et retirez la lame avant chaque application.

Démorfilage sans l'aide du bâti d'affûtage

- Si la pièce à affûter est trop grosse pour permettre l'utilisation du bâti, il est possible d'installer le bras de support (11) sur l'appareil et de s'en servir comme support pour la pièce à affûter. Placez-vous derrière la lame. Cela vous aidera à mieux tenir la lame et à conserver le bon angle d'affûtage.
- Déplacez la lame d'un côté et de l'autre sur la largeur du disque pour assurer un polissage uniforme.

Enlever les imperfections de fabrication

- Le processus de fabrication peut parfois laisser des imperfections sur la section transversale de la lame.
- Celles-ci peuvent s'enlever en appliquant la lame sur le pan latéral de la meule.
- Déplacez lentement la section transversale de la lame à un angle approprié et confortable sur la face de la meule. N'exercez pas de pression excessive sur la lame et veillez à éviter tout contact des doigts avec la meule.
- Effectuez cette étape préalablement à l'affûtage proprement dit.

Après utilisation

1. Découplez le système d'entraînement en desserrant le bouton de couplage de la meule (10). Cela permet de ne pas déformer la roue d'entraînement.
2. Videz le bac à eau.

ATTENTION : Ne laissez JAMAIS la meule baigner dans l'eau.

Accessoires

- Une large gamme d'accessoires est disponible chez votre revendeur Triton, notamment des outils spéciaux et des gabarits d'affûtage :
- Gabarit d'affûtage pour outils de gravure/sculpture (TWSCTJ)
- Gabarit d'affûtage pour gouges (TWSTGJ)
- Gabarit d'affûtage pour ciseaux et cisailles (TWSSJ)
- Gabarit d'affûtage pour couteaux longs (TWSLKJ)
- Gabarit d'affûtage pour rabots manuels (TWSPCJ)
- Gabarit d'affûtage pour outils droits (TWSSEJ)
- Rallonge de bras de support (TWSSAE)
- Support d'affûtage (TWSTR)
- Guide d'angle (TWSGAJ)
- Prépare-meule (TWSSG)
- Redresse-meule diamanté (TWSDDT)
- Capot de protection (TWSWSC)
- Poli à métal (TWSMP)
- Des meules et des disques de démorfilage de rechange sont disponibles chez votre revendeur Triton et des pièces de rechanges originales peuvent être obtenues sur toolsparesonline.com.

Entretien

Inspection générale

- Vérifiez régulièrement que les vis de fixation sont bien serrées
- Vérifiez l'état du câble d'alimentation avant chaque utilisation et vérifiez qu'il n'est pas usé ou endommagé. Toute réparation doit être effectuée dans un centre technique Triton agréé. Ce conseil vaut pour les rallonges utilisées avec cet outil.

Nettoyage

- Veillez à garder cet outil propre en permanence. La saleté et la poussière peuvent entraîner l'usure prématurée des parties internes et raccourcir la durée de vie de l'appareil. Nettoyer l'appareil à l'aide d'une brosse douce ou d'un chiffon sec. Si possible, utilisez de l'air propre et sec sous pression sur les orifices de ventilation.

Entretien de la meule

- Cessez d'utiliser une meule ayant reçu un coup, notamment un coup porté sur le côté de la meule
- Remplacez la meule si elle présente une fissure ou si suspectez qu'elle pourrait soudainement se fissurer
- Conservez une surface d'affûtage régulière. Utilisez le redresse-meule diamanté TWSDTT (disponible séparément) afin de rétablir la régularité de la meule et lorsque celle-ci présente des signes d'usure
- Consultez la section « Montage de la meule et du bac à eau » relativement au montage d'une nouvelle meule

Remarque : L'arbre présente un filetage inversé : tournez dans le sens des aiguilles d'une montre pour le dévisser, dans le sens contraire des aiguilles d'une montre pour le serrer.

Remplacement du disque de démorfilage en cuir

Le disque de démorfilage en cuir (1) doit être remplacé une fois usé ou déchiré :

1. Dévissez et mettez de côté le bouton de serrage (3)
2. Retirez de l'arbre le disque de démorfilage usé, et remplacez-le par le disque neuf

3. Réinstallez le bouton de serrage et resserrez-le

Remarque : Serrez uniquement à la main.

Rangement

- Videz TOUJOURS l'eau, nettoyez la machine et couvrez-la pour la ranger
- Ne rangez JAMAIS la machine lorsque la meule est humide ou mouillée. Assurez-vous TOUJOURS que la meule est complètement sèche avant de la couvrir et de la ranger
- Rangez la machine dans un endroit sec, chauffé, sûr et hors de portée des enfants

Recyclage

Lorsque l'appareil n'est plus en état de fonctionner et qu'il n'est pas réparable, recyclez l'appareil conformément aux réglementations nationales.

- Ne jetez pas les outils électriques, batteries et autres équipements électriques ou électroniques (DEEE) avec les ordures ménagères.
- Contactez les autorités locales compétentes en matière de gestion des déchets pour vous informer de la procédure à suivre pour recycler les outils électriques.

Garantie

Pour valider votre garantie, rendez-vous sur notre site internet www.tritontools.com* et saisissez vos coordonnées.

Vos coordonnées seront introduites dans notre liste de diffusion (sauf indication contraire) afin de vous informer de nos prochaines nouveautés. Les informations que vous nous fournirez ne seront pas communiquées à des tiers.

Pense-bête

Date d'achat : ___ / ___ / ____

Modèle: TWSS10

Veuillez conserver votre ticket de caisse comme preuve d'achat.

Si toute pièce de ce produit s'avérait défectueuse du fait d'un vice de fabrication ou de matériau dans les 3 ANS suivant la date d'achat, Triton Precision Power Tools s'engage auprès de l'acheteur de ce produit à réparer ou, à sa discrétion, à remplacer gratuitement la pièce défectueuse.

Cette garantie ne s'applique pas à l'utilisation commerciale et ne s'étend pas non plus à l'usure normale ou aux dommages causés par des accidents, des mauvais traitements ou une utilisation impropre.

* Enregistrez votre produit en ligne dans les 30 jours suivant la date d'achat.

Offre soumise à conditions.

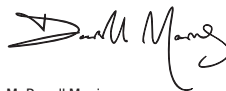
Ceci n'affecte pas vos droits statutaires. oves to be defecti

Organisme notifié : Intertek

La documentation technique est conservée par : Triton Tools

Date : 04/03/2015

Signature :



Mr Darrell Morris

Directeur général

Nom et adresse du fabricant ou de son représentant agréé :

Powerbox International Limited, numéro d'entreprise 06897059. Adresse

légale : Central House, Church Street, Yeovil, Somerset BA20 1HH,

Royaume-Uni.

CE Declaration of Conformity

Le soussigné : Mr Darrell Morris

Autorisé par : Triton Tools

Déclare que le produit :

Code d'identification : 949257

Description : Touret d'affûtage à eau

Est conforme aux directives suivantes :

- Directive sur les machines 2006/42/CE
- Directive sur les basses tensions 2006/95/CE
- Directive sur la compatibilité électromagnétique 2004/108/CE
- Directive RoHS 2011/65/UE
- EN 61029-1:2009+A11:2010
- EN 61000-3-2:2006/+A1:2009/+A2:2009
- EN61000-3-3: 2013
- EN 55014-1:2006/+A1:2009/+A2:2011
- EN 55014-2: 1997/+A1:2001/+A2:2008
- EN 50581:2012

Übersetzung des Originaltextes

Vielen Dank, dass Sie sich für dieses Triton-Werkzeug entschieden haben. Diese Anleitung enthält wichtige Informationen für das sichere und effektive Arbeiten mit diesem Produkt. Bitte lesen Sie diese Anleitung sorgfältig durch, um den größtmöglichen Nutzen aus dem einzigartigen Design dieses Produkts ziehen zu können. Bewahren Sie diese Anleitung griffbereit auf und sorgen Sie dafür, dass alle Benutzer dieses Geräts sie gelesen und verstanden haben.

Symbolerklärung



Gehörschutz tragen
Augenschutz tragen
Atemschutz tragen
Kopfschutz tragen



Bedienungsanleitung sorgfältig lesen



Erfüllt die entsprechenden rechtlichen Vorschriften und Sicherheitsnormen (gilt nur für EU-Modell)



Achtung, Gefahr!



Schutzklasse I (Schutzleiter)



Nur für den Innengebrauch!

Umweltschutz



Elektroaltgeräte dürfen nicht über den Hausmüll entsorgt werden. Nach Möglichkeit bitte über entsprechende Einrichtungen entsorgen. Lassen Sie sich bezüglich der sachgemäßen Entsorgung von Elektrowerkzeugen von der zuständigen Behörde oder dem Händler beraten.



WARNUNG! Dieser Artikel ist schwer und darf nur von mind. zwei Personen montiert werden.

Technische Daten

Modellbezeichnung:	TWSS10
Spannung:	220-240 V~, 50/60 Hz, 120 W
Motor:	Induktionsmotor
Leerlaufdrehzahl:	125 min ⁻¹
Schleifstein:	Ø 250 mm x 50 mm
Abziehscheibe:	Ø 230 mm x 30 mm
Bohrung:	Ø 12 mm
Netzkabel:	2 m
Schutzklasse:	
Geräteabmessungen (L x H x B):	345 x 370 x 270 mm
Gerätegewicht:	14,5 kg
Geräusch- und Vibrationsinformationen:	
Schalldruckpegel L_{PA}:	86,2 dB(A)
Schalleistungspegel L_{WA}:	99,2 dB(A)
Unsicherheit K:	3 dB

WARNUNG: Tragen Sie in Bereichen, in denen der Lärmpegel 85 dB(A) überschreitet, unbedingt angemessenen Gehörschutz und begrenzen Sie nach Möglichkeit die Belastungsdauer. Sollte trotz Gehörschutz Unbehagen irgendeiner Art auftreten, beenden Sie die Arbeit unverzüglich und überprüfen Sie den Gehörschutz auf korrekten Sitz und Funktion und stellen Sie sicher, dass dieser einen angemessenen Schutz für den Lärmpegel bietet, der von den verwendeten Werkzeugen ausgeht.

WARNUNG: Bei der Benutzung mancher Werkzeuge wird der Benutzer Vibrationen ausgesetzt, welche zum Verlust des Tastsinns, zu Taubheitsgefühl, Kribbeln und zu einer Verminderung der Handgreifkraft führen können. Langfristige Belastung kann zu chronischen Beschwerden führen. Begrenzen Sie, falls nötig, die Exposition zu Vibrationen und tragen Sie vibrationsmindernde Handschuhe. Verwenden Sie dieses Werkzeug nicht mit kalten Händen, da Vibrationen bei Temperaturen unter dem individuellen Komfortbereich eine stärkere Wirkung zeigen. Beurteilen Sie die Vibrationsbelastung unter Zuhilfenahme der Technischen Daten des jeweiligen Werkzeuges und bestimmen Sie die zulässige Belastungsdauer und -häufigkeit.

Die in den Technischen Daten angegebenen Geräusch- und Vibrationsinformationen werden nach EN 60745 bzw. vergleichbaren internationalen Standards bestimmt. Die angegebenen Werte beziehen sich auf eine normale Benutzung des Werkzeuges unter normalen Arbeitsbedingungen. Schlecht gewartete, inkorrekt montierte und unsachgemäß verwendete Werkzeuge können erhöhte Schallpegel und Vibrationswerte aufweisen. Weitere Informationen zur EU-Vibrationsrichtlinie und zu Schall- sowie Vibrationsbelastungen, die auch für Heimanwender relevant sein können, finden Sie auf den Seiten der Europäischen Agentur für Sicherheit und Gesundheitsschutz am Arbeitsplatz: www.osha.europa.eu.

Allgemeine Sicherheitshinweise

WARNUNG! Bei der Benutzung von Elektrowerkzeugen müssen stets grundlegende Sicherheitsmaßnahmen einschließlich der folgenden Anweisungen getroffen werden, um das Risiko von Bränden, Elektroshocks und Personenschäden zu vermindern. Lesen Sie alle Anweisungen aufmerksam durch und bewahren Sie diese für zukünftiges Nachschlagen mit dem Gerät auf.

WARNUNG! Dieses Gerät darf nicht von Personen (wie z.B. Kindern) mit eingeschränkter körperlicher oder geistiger Fähigkeiten oder von Personen ohne Erfahrung im Umgang mit einem solchen Gerät betrieben werden, außer wenn sie von einer für ihre persönliche Sicherheit verantwortlichen Person in der Benutzung unterwiesen worden sind und dabei beaufsichtigt werden. Kinder müssen beaufsichtigt werden, um sicherzustellen, dass sie das Gerät nicht als Spielzeug verwenden.

ACHTUNG! Verwenden Sie Elektrowerkzeuge stets in Übereinstimmung mit diesen Anweisungen und beachten Sie dabei die Arbeitsplatzbedingungen und die auszuführenden Tätigkeiten. Eine Benutzung von Elektrowerkzeugen für Tätigkeiten, für die sie nicht konzipiert wurden, kann zu gefährlichen Situationen führen.

Der Begriff „Elektrowerkzeug“ in den folgenden Warnhinweisen bezieht sich sowohl auf netzgebundene Geräte sowie Akkugeräte (schnurlose Geräte).

1 - Halten Sie den Arbeitsbereich sauber und aufgeräumt. - Unordnung auf Werkbänken und Böden begünstigt Verletzungen.

2 - Beachten Sie die Arbeitsplatzbedingungen.

- Verwenden Sie Werkzeuge niemals im Regen.

- Verwenden Sie Werkzeuge niemals in feuchten oder nassen Bereichen.

- Sorgen Sie für angemessene Beleuchtung von Arbeitsbereichen.

- Verwenden Sie Werkzeuge niemals in der Nähe von brennbaren Flüssigkeiten.

3 - Schützen Sie sich vor elektrischen Schlägen. - Vermeiden Sie Kontakt mit geerdeten Objekten und Oberflächen wie z.B. Rohrleitungen, Heizkörpern, Haushaltsgeräten usw.

4 - Halten Sie andere Personen vom Arbeitsplatz fern. - Achten Sie darauf, dass Personen, die nicht direkt am Arbeitsvorgang beteiligt sind, insbesondere Kinder, von Werkzeugen und Werkstücken fernbleiben, Werkzeuge und deren Anschlussleitungen nicht berühren und sich nicht im Arbeitsbereich aufhalten.

5 - Entfernen Sie nicht benötigte Werkzeuge aus dem Arbeitsbereich. - Nicht verwendete Werkzeuge sollten an einem sicheren, trockenen Ort außerhalb der Reichweite von Kindern gelagert und eingeschlossen werden.

6 - Wenden Sie bei der Benutzung von Werkzeugen keine Gewalt an. - Werkzeuge erzeugen die besten und effektivsten Ergebnisse, wenn sie mit der Geschwindigkeit und dem Vorschub verwendet werden, für welche sie konzipiert wurden.

7 - Verwenden Sie für die auszuführende Aufgabe geeignete Werkzeuge. - Kleine, leichte Werkzeuge verfügen nicht über die gleiche Leistung wie schwere Profi-Werkzeuge.

- Verwenden Sie Werkzeuge niemals zweckentfremdet; z.B. dürfen Kreissägen nicht zum Sägen von Baumstämmen oder Ästen verwendet werden.

8 - Tragen Sie geeignete Arbeitskleidung.

- Tragen Sie weder lose Kleidung noch Schmuck, da sich diese in den beweglichen Komponenten von Maschinen verfangen könnten.

- Tragen Sie stets geeignete Sicherheitsschuhe.

- Decken Sie lange Haare ab.

9 - Verwenden Sie geeignete persönliche Schutzausrüstung.

- Tragen Sie stets eine geeignete Schutzbrille.

- Tragen Sie bei staubigen Arbeiten stets eine Atemschutzmaske.

WARNUNG! Falls keine persönliche Schutzausrüstung getragen wird, können schwerwiegende Verletzungen und Erkrankungen auftreten.

10 - Verwenden Sie Staubabsaugungsausrüstung. - Verwenden Sie Geräte mit Staubabsauganschluss stets mit einer geeigneten Absaugvorrichtung.

11 - Verwenden Sie die Anschlussleitung nicht missbräuchlich. - Ziehen Sie niemals am Kabel, um dieses aus der Steckdose zu entfernen. Halten Sie Anschlussleitungen fern von Hitze, Schmiermitteln und scharfen Kanten. Beschädigte und abgenutzte Leitungen erhöhen das Risiko von elektrischen Schlägen.

12 - Fixieren Sie Ihre Werkstücke. - Verwenden Sie stets Schraubzwingen, Schraubstöcke und andere Klemmvorrichtungen, um Werkstücke sicher zu fixieren. Dies ist sicherer als das Halten von Hand.

13 - Nicht zu weit hinauslehnen. - Bleiben Sie standfest und halten Sie stets Ihr Gleichgewicht.

14 - Führen Sie Instandhaltungsarbeiten sorgfältig durch.

- Halten Sie Schneidwerkzeuge scharf. Werkzeuge mit scharfen Schneiden sind besser zu kontrollieren und verkanten sich weniger leicht.

- Befolgen Sie die Anweisung zur Schmierung und zum Austausch von Zubehöerteilen.

- Überprüfen Sie Anschlussleitungen in regelmäßigen Abständen und lassen Sie diese bei Beschädigung oder Abnutzung von einem autorisierten Servicetechniker austauschen.

- Halten Sie Griffe trocken, sauber und frei von Schmierstoffen.

WARNUNG! Viele Unfälle mit Elektrowerkzeugen sind auf unzureichende Instandhaltung zurückzuführen.

15 - Trennen Sie Geräte nach dem Gebrauch vom Stromnetz. - Trennen Sie Elektrowerkzeuge stets von der Spannungsversorgung, bevor Sie Wartungsarbeiten durchführen und Zubehör abnehmen oder anbringen.

WARNUNG! Die Verwendung von Zubehör, das nicht vom Hersteller des Elektrowerkzeugs empfohlen wird, kann zu schwerwiegenden Sach- und Personenschäden führen.

16 - Entfernen Sie stets alle Werkzeuge vom Gerät. - Machen Sie es sich zur Gewohnheit, vor dem Einschalten von Elektrowerkzeugen zu überprüfen, dass alle beim Zubehörwechsel oder zur Justierung verwendeten Werkzeuge (z.B. Innensechskant-, Maul- u. Stiftschlüssel) entfernt wurden.

17 - Vermeiden Sie unbeabsichtigtes Einschalten. - Vergewissern Sie sich, dass sich der Betriebsschalter von Elektrowerkzeugen im ausgeschalteten Zustand befindet, bevor Sie das Werkzeug mit dem Stromnetz verbinden bzw. Akkus einsetzen.

WARNUNG! Ein unbeabsichtigtes Einschalten von Elektrowerkzeugen kann zu schwerwiegenden Sach- und Personenschäden führen.

18 - Verwenden Sie geeignete Verlängerungsleitungen. - Falls das Elektrowerkzeug in Außenbereichen verwendet wird, muss eine speziell für Außenbereiche geeignete Verlängerungsleitung verwendet werden. Dies vermindert das Risiko von elektrischen Schlägen.

19 - Seien Sie aufmerksam.

- Achten Sie darauf, was Sie tun, wenden Sie gutes Urteilsvermögen an und verwenden Sie Werkzeuge niemals, wenn Sie müde sind.

- Verwenden Sie Elektrowerkzeuge niemals, wenn Sie unter dem Einfluss von Drogen, Alkohol oder Medikamenten stehen.

WARNUNG! Ein Moment der Unachtsamkeit kann zu schweren Verletzungen führen.

20 - Überprüfen Sie den Zustand von Werkzeugen vor der Benutzung.

- Das Werkzeug muss vor jeder Verwendung auf Beschädigungen überprüft werden. Vergewissern Sie sich, dass sich das Gerät in einem Zustand befindet, in dem es seine normale Funktion sicher erfüllen kann.

- Begutachten Sie bewegliche Teile auf feste Verbindung, korrekte Ausrichtung, Schäden, korrekte Montage und andere Fehlerzustände, die ihre Funktion beeinträchtigen könnten.

- Beschädigte Schutzvorrichtungen und andere fehlerhafte Komponenten müssen von einem autorisierten Servicetechniker repariert oder ausgetauscht werden, außer wenn in dieser Bedienungsanleitung abweichend beschrieben.

- Defekte Schalter müssen von einem autorisierten Servicetechniker ausgetauscht werden.

WARNUNG! Verwenden Sie das Gerät nicht, falls es sich nicht über den Ein-/Ausschalter einschalten und auch ausschalten lässt. Der Schalter muss zur sicheren Verwendung ausgetauscht werden.

21 - Lassen Sie das Werkzeug ausschließlich von qualifizierten Technikern warten und reparieren. - Dieses Elektrowerkzeug entspricht den relevanten Sicherheitsvorschriften. Reparaturen dürfen ausschließlich von autorisierten Servicetechnikern durchgeführt werden, da unsachgemäße Reparaturen eine ernstzunehmende Gefahr darstellen können.

WARNUNG! Verwenden Sie zur Instandhaltung ausschließlich identische Originalersatzteile.

WARNUNG! Eine beschädigte Anschlussleitung muss durch den Hersteller oder eine autorisierte Fachwerkstatt ausgetauscht werden.

22 - Der Netzstecker des Gerätes darf ausschließlich an einer geeigneten Steckdose verwendet werden. - Der Netzstecker des Gerätes darf niemals modifiziert werden. Verwenden Sie keine Adapter mit geerdeten Elektrowerkzeugen. Dies trägt zum Schutz vor elektrischen Schlägen bei.

23 - Bei der Verwendung in Außenbereichen muss das Gerät an einem Stromkreis betrieben werden, der von einem Fehlerstromschutzschalter abgesichert ist. Die Verwendung von FI-Schaltern vermindert die Gefahr elektrischer Schläge.

HINWEIS: Fehlerstromschutzschalter werden auch als FI-Schalter, FI-Schutzschalter oder RCDs bezeichnet.

WARNUNG! In Australien und Neuseeland darf dieses Gerät nur unter Verwendung einer Fehlerstromschutzeinrichtung (FI-Schalter) mit einem Bemessungsfehlerstrom von höchstens 30 mA an die Spannungsversorgung angeschlossen werden.

WARNHINWEISE: Stellen Sie vor Anschluss eines Werkzeugs an eine Stromquelle (Steckdose, Stromanschluss u.ä.) sicher, dass die Netzspannung der auf dem Typenschild des Werkzeugs angegebenen Spannung entspricht. Eine Stromquelle mit einer höheren Spannung als der für das Werkzeug spezifizierten Spannung kann zu schweren Verletzungen des Bedieners sowie Beschädigung des Werkzeugs führen. Schließen Sie das Werkzeug im Zweifelsfall nicht an. Eine niedrigere Spannung als auf dem Typenschild angegeben schadet dem Motor.

Verpolungssichere Stecker (nur für Nordamerika): Um das Risiko elektrischer Schläge zu verringern, ist dieses Gerät mit einem verpolungssicheren Netzstecker ausgestattet (ein Steckerkontakt ist breiter als der andere). Dieser Stecker kann nur in einer Position in eine geeignete Steckdose eingesteckt werden. Falls der Stecker nicht vollständig in die Steckdose eingesteckt werden kann, ziehen Sie ihn heraus und stecken Sie ihn umgekehrt wieder ein. Sollte der Stecker noch immer nicht passen, lassen Sie eine geeignete Steckdose durch einen qualifizierten Elektriker installieren. Verändern Sie die Steckdose niemals eigenmächtig.

Zusätzliche Sicherheitshinweise für Nass-Schleifmaschinen



WARNUNG!

- Halten Sie das Elektrowerkzeug nur an den isolierten Griffflächen fest, da der Schleifstein mit dem Netzkabel in Berührung kommen könnte. Der Kontakt mit einer spannungsführenden Leitung kann auch metallene Geräteteile unter Spannung setzen und zu einem elektrischen Schlag führen.
- Diese Maschine ist ein Gerät der Schutzklasse 1 (mit Schutzleiter) und ist mit einem dreidrähtigen Netzkabel und Netzstecker ausgestattet. Falls das Netzkabel oder der Netzstecker beschädigt werden, muss das Gerät bei einer zugelassenen Vertragswerkstatt gewartet werden, um Sicherheitsrisiken auszuschließen.
- Es wird dringend empfohlen, einen Fehlerstromschutzschalter mit einem von Bemessungsfehlerstrom von höchstens 30 mA zwischenzuschalten.

a) Tragen Sie angemessene persönliche Schutzausrüstung einschließlich einer geeigneten Schutzbrille und Atemschutz. Tragen Sie keine lockere Kleidung, nehmen Sie sämtlichen Schmuck ab und binden Sie langes Haar im Nacken zurück. Im Arbeitsbereich nicht essen, trinken oder rauchen. Kinder aus dem Arbeitsbereich fernhalten.

- b) Nehmen Sie für die Arbeit an dieser Maschine stets einen sicheren Stand ein. Beugen Sie sich niemals über die rotierenden Scheiben und reichen Sie nicht zu weit hinaus. Seien Sie stets bereit, Rückschlagkräften unmittelbar entgegenzuwirken. Je nach Ausrichtung und Drehrichtung des Schleifsteins kann Ihnen ein Werkstück aus der Hand gerissen oder Ihnen entgegen geschleudert werden.
- c) Diese Maschine ist auf das Schärfen von Werkzeugen und haushaltstypischen Klingen, Blättern und Messern ausgelegt. Sie wurde ausschließlich für die genannten Schärfanwendungen konzipiert und darf nicht zum Schärfen von Materialien verwendet werden, die nicht üblicherweise zur Herstellung von Werkzeugklingen/-blättern/-messern dienen.
- d) Der Schärfvorgang darf nur durch Personen erfolgen, die mit den entsprechenden Verfahren, erforderlichen Methoden und vom Gerät bzw. den Arbeitsabläufen ausgehenden Gefahren vertraut sind. Diese Betriebsanleitung enthält lediglich allgemeine Hinweise zur Verwendung der Maschine und kann eine Fachausbildung im Bereich Metallverarbeitung sowie die entsprechende Praxiserfahrung im Schärfen von Werkzeugen nicht ersetzen.
- e) Falls Sie sich unsicher bezüglich des sicheren und vorschriftsmäßigen Schärfens von Werkzeugen mit dieser Maschine sind, verwenden Sie sie nicht.
- f) Befolgen Sie stets die Anweisungen des Werkzeugherstellers hinsichtlich des Schärfverfahrens und der Instandhaltung. Falls die Vorgaben nicht eindeutig sind, senden Sie das Werkzeug zum Schärfen an den Hersteller zurück.
- g) Schärfen Sie niemals eine Klinge bzw. ein Blatt oder Messer, das nicht nachgeschärft werden darf. Manche Klingen/Blätter/Messer (z.B. die einiger Elektrowerkzeuge) müssen ausgetauscht werden, sobald sie er stumpf, abgenutzt oder beschädigt sind und dürfen keinesfalls geschärft und wiederverwendet werden.
- h) Manche Klingen bzw. Blätter oder Messer von Hand- und Elektrowerkzeugen weisen eine komplexe Formgebung auf. Sofern das Schärfen einer derartigen Klinge bzw. ein solchen Blattes/Messers laut Hersteller zulässig ist, muss es stets wieder in seine Ausgangsform gebracht werden. Ändern Sie niemals die bestehenden Funktionsmerkmale einer Klinge bzw. eines Blattes/Messers. Falls Sie sich nicht sicher sind, wie dies zu erreichen ist, lassen Sie das Werkzeug vom Hersteller oder einer entsprechend ausgebildeten Fachkraft schärfen.
- i) Von Metallbearbeitungsmaschinen gehen bei unsachgemäßem Gebrauch erhebliche Gefahren aus. Halten Sie sich stets an allgemein anerkannte Vorschriften und Verfahren bezüglich des Betriebs von Metallbearbeitungsmaschinen und der Verwendung von Handwerkzeugen.
- j) Verwenden Sie zum Schärfen eines Werkzeugs stets das dafür bestimmte Zubehör. Modifizieren Sie niemals Schleifführungen oder anderes Zubehör. Verwenden Sie keinesfalls selbstgebautes Zubehör und nehmen Sie keine Änderungen an der Maschine vor. Dieses Gerät ist für bestimmte Schärfanwendungen möglicherweise ungeeignet, wenn werkzeugspezifisches Schleifzubehör nicht verfügbar ist. Schärfen Sie Werkzeuge niemals freihändig.
- k) Untersuchen Sie die Maschine, die Abziehscheiben, Schleifsteine und das Zubehör sorgfältig vor jedem Gebrauch. Die Verwendung schadhafter Schleifsteine ist äußerst gefährlich und kann zu schweren Verletzungen des Bedieners sowie Umstehender führen.
- l) Schleifsteine müssen stets sorgsam instandgehalten werden und eine ebenmäßige Schleiffläche aufweisen. Mit einem Steinpräparier oder einem Abrichtwerkzeug lassen sich ungleichmäßig abgenutzte Schleifflächen wiederherstellen.
- m) Vergewissern Sie sich, dass die verwendeten Stromkreise die Anforderungen bezüglich der Erdung dieser Maschine erfüllen. Schließen Sie das Gerät niemals an Stromkreise ohne Schutzleiter oder an ungeschützte Steckdosen ohne Schutzschalter oder Sicherungen an. Wenden Sie sich an einen Elektriker, falls Unsicherheit bezüglich des sicheren Anschlusses dieser Maschine besteht. Falsche oder beschädigte elektrische Anschlüsse können Stromschläge, Brände und Geräteschäden verursachen.

Geräteübersicht

1. Lederabziehscheibe
2. Senkrechte Tragarmhalter
3. Feststellknopf
4. Ein-/Ausschalter
5. Wasserbehälter
6. Schleifstein
7. Metallunterlegscheiben (2 Stck.)
8. Sicherungsmutter
9. Waagerechte Tragarmhalter

10. Antriebskopplung

Standardzubehör:

11. Tragarm
12. Tragarmhöhenverstellung
13. Schleifführung
14. Steinpräparierer
15. Polierpaste
16. Schraubenschlüssel (19 mm)
17. Winkellehre

Bestimmungsgemäße Verwendung

Gerät zum niedertourigen Nassschleifen und Abziehen diverser Werkzeuge und Klingen unter Verwendung werkzeugspezifischer Schleifführungen (optional).

Auspacken des Gerätes

- Packen Sie Ihr Gerät vorsichtig aus und überprüfen Sie es. Machen Sie sich vollständig mit allen seinen Eigenschaften und Funktionen vertraut.
- Vergewissern Sie sich, dass sämtliche Teile des Gerätes vorhanden und in einwandfreiem Zustand sind. Sollten Teile fehlen oder beschädigt sein, lassen Sie diese ersetzen, bevor Sie das Gerät verwenden.

Vor Inbetriebnahme

Schleifstein und Wasserbehälter anbringen

1. Schieben Sie eine Metallunterlegscheibe (7) auf die Spindel, wobei der Scheibenrand vom Gerätekörper fortweisen muss.
2. Setzen Sie den Schleifstein (6) locker auf die Spindel. Die mittige Vertiefung des Schleifsteins muss dabei dem Gerät abgekehrt sein, wie in der Abbildung dargestellt.
3. Bringen Sie den Wasserbehälter (5) in Position und lassen Sie ihn einrasten. Die genaue Position des Behälters hängt von der Größe des Schleifsteins ab, denn es ist darauf zu achten, dass der Schleifstein sich frei drehen kann, aber dennoch bis unter den maximalen Wasserstand reicht (siehe Markierung am Wasserbehälter).
4. Schieben Sie die andere Metallunterlegscheibe (7) auf die Spindel, wobei der Scheibenrand zum Schleifstein zeigen muss.
5. Ziehen Sie sie mithilfe der Sicherungsmutter (8) fest. Verwenden Sie den Schraubenschlüssel (16), um sie fest anzuziehen.

Hinweis: Diese Spindel hat ein Linksgewinde. Ziehen Sie die Mutter daher entgegen dem Uhrzeigersinn fest.

6. Drehen Sie den Schleifstein einige Umdrehungen mit der Hand, um zu überprüfen, dass er sich frei und rund bewegt.

Lederabziehscheibe

1. Das Gerät wird mit montierter Lederabziehscheibe (1) geliefert.
2. Überprüfen Sie vor Inbetriebnahme, dass die Abziehscheibe richtig sitzt und sicher befestigt ist.
3. Drehen Sie zum Anziehen den Feststellknopf (3) im Uhrzeigersinn.

Hinweis: Ziehen Sie ihn ausschließlich von Hand an.

Standort wählen

- Stellen Sie das Gerät auf einer festen Arbeitsfläche auf. Alle vier Füße müssen ganzzählig und fest auf der Oberfläche ruhen.

Hinweis: Diese Maschine verfügt zwecks Schwingungsreduzierung über Gummifüße. Stellen Sie das Gerät auf einer Arbeitsfläche auf, die Gerätevibrationen nicht begünstigt bzw. verstärkt.

- Sorgen Sie dafür, dass der Arbeitsbereich gut ausgeleuchtet ist und dass ausreichend Platz um das Gerät besteht, damit Ihnen bei der Arbeit nichts im Weg ist.

Wasserbehälter befüllen

1. Füllen Sie den Wasserbehälter (5) bis zur Markierung „MAX WATER LEVEL“ innen am Wasserbehälter mit kaltem, sauberem Wasser.
2. Achten Sie während des Betriebs darauf, dass der Wasserstand nicht zu weit absinkt, damit die Schleiffläche des Schleifsteins (6) nass gehalten wird.

Antriebssystem ankoppeln

1. Ziehen Sie die Antriebskopplung (10) durch Drehen im Uhrzeigersinn an, bis sie fest gegen den Gerätekörper anliegt. Dadurch wird das Antriebssystem angekoppelt.
2. Lösen Sie nach dem Gebrauch stets die Antriebskopplung, damit das Antriebsrad sich nicht verformt.

Steinpräparierer verwenden

Benutzen Sie den Steinpräparierer (14), um die Schleifsteinoberfläche für feines oder grobes Schleifen zu justieren:

Für grobe Schleifaufgaben, d.h. zum schnellen Abtragen großer Materialmengen (z.B. Formgebung einer Schneide):

- Halten Sie die grobe Seite des Steinpräparierers an den Schleifstein, um die Schleiffläche aufzurauen.

Für feine Schleifaufgaben, d.h. zum Schärfen der Schneide:

- Halten Sie die glatte Seite des Steinpräparierers an den Schleifstein, um die Oberfläche mit einer feineren Körnung (ca. Körnung 1000) zu versehen. Dies eignet sich insbesondere zum Schärfen der Schneide vor dem abschließenden Polieren der Schneidkante auf der Lederabziehscheibe.

Schleifführung verwenden

Die Schleifführung wird mit dem Tragarm (11) und der Winkellehre (17) benutzt, um die Schneide genau in den richtigen Winkel für den Schärfvorgang zu bringen.

1. Lockern Sie die Drehknöpfe an der Schleifführung (13).
2. Platzieren Sie die Schneide in der Führung, so dass eine der beiden Seitenkanten an den seitlichen Anschlägen anliegt (siehe Abb. A).
3. Ziehen Sie die Drehknöpfe fest, um die Schneide in dieser Position einzuspannen.

Tragarm verwenden

- Zum Schleifen lässt sich der Tragarm (11) mit der Drehrichtung oder gegen die Drehrichtung des Schleifsteins anbringen.

Schleifen gegen die Drehrichtung:

1. Führen Sie den Tragarm (11) in die senkrechten Tragarmhalter (2) ein (siehe Abb. B).

Schleifen und Abziehen mit der Drehrichtung:

1. Führen Sie den Tragarm (11) in die waagerechten Tragarmhalter (9) ein (siehe Abb. C).

Warnung! Arbeiten Sie beim Abziehen immer in Drehrichtung!

- Durch Arbeiten entgegen der Drehrichtung lassen sich größere Materialmengen schneller abtragen als beim Schleifen in Drehrichtung.
- Das Arbeiten in Drehrichtung erlaubt außerdem präzises Schärfen einer Schneide bei feineren Werkzeugen und wird außerdem beim Abziehen verwendet.
- Lassen Sie sich Zeit und probieren Sie unterschiedliche Einstellungen mit verschiedenen Schneidenarten und -größen aus, so dass Sie den richtigen Schräfwinkel erzielen. Vergewissern Sie sich, dass die zu schärfende Schneidkante rechtwinklig auf der Schleifsteinoberfläche aufliegt.
- Allgemein gilt, dass der Tragarm zum Schärfen in die senkrechten Halter eingesetzt und gegen die Drehrichtung geschärft werden sollte.
- Setzen Sie den Tragarm niemals in die senkrechten Halter ein, wenn die Lederabziehscheibe benutzt werden soll. Ein Abziehen der Schneide gegen die Drehrichtung verursacht schwere Schäden an der Abziehscheibe.

Winkellehre verwenden

- Verwenden Sie die Winkellehre (17), um die Schneide genau in den richtigen Winkel für den Schärfvorgang zu bringen (siehe Abb. D).

- Spannen Sie die Schneide in die Schleifführung (13) ein und setzen Sie den Tragarm in die Halter.
- Verwenden Sie zur Bestimmung des Schneidkantenwinkels die Messlehre außen an der Winkellehre.
- Lösen Sie das Rad an der Winkellehre und stellen Sie den weißen Winkelmesser so ein, dass die kleinen schwarzen Pfeile auf die entsprechende Schleifsteindurchmessermarkierung ausgerichtet sind (siehe Abb. E).
- Stellen Sie dann den großen schwarzen Zeiger auf den oben im 2. Schritt bestimmten Schliffwinkel der Schneide ein und ziehen Sie das Zeigerrad in dieser Stellung an (siehe Abb. E).
- Schieben Sie die Schleifführung auf den Tragarm, so dass die Schneide am Schleifstein anliegt.
- Setzen Sie die abgerundete Kante der Winkellehre auf den Schleifstein und die flache Kante des Zeigers auf die zu schärfende Schneide (siehe Abb. F).
- Passen Sie die Tragarmhöhe mithilfe der Tragarmhöhenverstellung (12) so weit an, dass die flache Kante des Winkellehrenzeigers vollkommen flach und bündig auf der Schneide ruht.
- Der Schliffwinkel ist nun eingestellt.

Bedienung

Wichtige Sicherheitshinweise

- Verwenden Sie dieses Gerät nur, wenn Sie die notwendige Sicherheitsausrüstung tragen. Dazu zählen eine zugelassene Schutzbrille und eine Gesicht- oder Staubmaske.
- Ziehen Sie schnittfeste Schutzhandschuhe an und lassen Sie beim Umgang mit Schneidwerkzeugen stets besondere Vorsicht walten.
- Überprüfen Sie die Schärfe einer Schneide niemals mit dem Finger oder einem anderen Körperteil.
- Der Schleifstein und die Abziehscheibe rotieren in der durch den Pfeil oben am Gerätegehäuse angegebenen Richtung.
- Vergewissern Sie sich vor Aufnahme der Arbeit, dass der Wasserbehälter ordnungsgemäß angebracht und mit einer ausreichenden Menge Wasser gefüllt ist. Überprüfen Sie den Wasserstand in regelmäßigen Abständen und füllen Sie bei Bedarf Wasser nach. Versuchen Sie niemals, eine Schneide mit einem trockenen Stein zu schärfen, da dies äußerst gefährlich sein kann.
- Sorgen Sie dafür, dass die Oberfläche des Schleifsteins ebenmäßig ist und die richtige Schleifsteinkörnung für die auszuführende Aufgabe aufweist.
- Vergewissern Sie sich vor jeder Inbetriebnahme, dass der Schleifstein sich frei drehen lässt.
- Lassen Sie einen neuen Schleifstein vor dem Gebrauch stets einige Minuten laufen. Stellen Sie sich während des Anlaufens seitlich zum Gerät.

Ein- und Ausschalten

- Stellen Sie sicher, dass der Ein-/Ausschalter (4) auf 0 („Aus“) steht.
- Schließen Sie das Gerät ans Stromnetz an.
- Stellen Sie den Ein-/Ausschalter zum Einschalten auf I („Ein“).
- Stellen Sie den Ein-/Ausschalter zum Ausschalten auf 0 („Aus“).
- Trennen Sie das Gerät bei Arbeitsunterbrechungen und nach Beendigung der Arbeit stets vom Stromnetz.

Schneide schärfen

- Halten Sie die Schneide mit stetigem Druck gegen den Schleifstein.
- Lassen Sie die Schleifführung am Tragarm hin- und hergleiten, um ein gleichmäßiges Schleifergebnis und eine einheitliche Abnutzung des Schleifsteins zu gewährleisten.
- Üben Sie nicht zu starken Druck aus. Zum Schärfen ist leichter Druck völlig ausreichend.

Schärfen ohne Schleifführung

- Wenn das Werkstück zum Einspannen in der Schleifführung zu groß ist, kann der Tragarm (11) angebracht und das Werkstück auf dem Tragarm abgestützt werden, wobei die Schneidkante Ihnen abgekehrt sein muss. Auf diese Weise lässt sich die Schneide besser im gewünschten Winkel halten.

- Bewegen Sie die Schneide auf dem Schleifstein hin und her, damit ein gleichmäßiges Schleifergebnis und eine einheitliche Abnutzung des Schleifsteins erzielt wird.

Hinweis: Eine Tragarmverlängerung (Art.-Nr. TWSSAE) sowie diverse werkzeugspezifische Schleifführungen, z.B. die Schleifführung für lange Messer (Art.-Nr. TWSLKJ), sind über jeden gut sortierten Triton-Fachhändler erhältlich. Es wird dringend empfohlen, beim Schärfen mit dieser Maschine stets die passende Schleifführung zu verwenden.

Schneide abziehen

- Nach dem Schärfen lassen sich mithilfe der Lederabziehscheibe möglicherweise vorhandene Grate entfernen und die Schneide erhält eine glatte, scharfe Kante.

WARNUNG! Ziehen Sie die Schneide stets in Drehrichtung der Scheibe ab. Arbeiten Sie beim Abziehen niemals gegen die Drehrichtung der Scheibe.

- Stellen Sie sicher, dass das Gerät während des Aufstellens vom Stromnetz getrennt ist.
- Befestigen Sie den Tragarm (11) und die Schleifführung gemäß Abb. C. Überprüfen Sie den Schneidwinkel mithilfe der Winkellehre.
- Bringen Sie eine großzügige Menge Polierpaste (15) direkt auf die Lederabziehscheibe (1) auf. Durch den Abziehvorgang wird die Paste auf der Scheibe verteilt.
- Schalten Sie das Gerät ein und bewegen Sie die Schneide über die Abziehscheibe. Achten Sie dabei darauf, dass mindestens die halbe Breite der Abziehscheibe in ständigem Kontakt mit der Schneide ist.
- Lassen Sie die Abziehscheibe die Arbeit erledigen. Üben Sie keinen übermäßigen Druck auf die Scheibe aus!
- Bewegen Sie die Schleifführung wie beim Schärfen am Tragarm entlang, damit die Schneide gleichmäßig abgezogen wird.
- Honen Sie nicht ohne Polierpaste auf der Scheibe. Wenn Sie mehrere Schneiden abziehen, muss möglicherweise mehr Paste aufgetragen werden. Schalten Sie das Gerät ab und entfernen Sie die Schneide, bevor Sie weitere Paste aufbringen.

Abziehen ohne Schleifführung

- Wenn das Werkstück zum Einspannen in der Schleifführung zu groß ist, kann der Tragarm (11) angebracht und das Werkstück auf dem Tragarm abgestützt werden, wobei die Schneidkante Ihnen abgekehrt sein muss. Auf diese Weise lässt sich die Schneide besser im gewünschten Winkel halten.
- Bewegen Sie die Schneide auf dem Schleifstein hin und her, damit ein gleichmäßiges Honergebnis erzielt wird.

Verarbeitungsspuren entfernen

- Der Herstellungsprozess hinterlässt gelegentlich unerwünschte Spuren auf der Oberfläche der Schneide.
- Diese Spuren lassen sich entfernen, indem die betroffene Schneidfläche an die Seitenfläche des Schleifsteins gehalten wird.
- Führen Sie die Schneidfläche langsam über die seitliche Schleifsteinfläche. Üben Sie keinen übermäßigen Druck aus und halten Sie Ihre Finger vom Schleifstein fern.
- Entfernen Sie die Verarbeitungsspuren, bevor Sie die Schneide schärfen.

Nach Gebrauch

- Lösen Sie das Antriebssystem, indem Sie die Antriebskopplung (10) lockern. Hierdurch behält das Antriebsrad seine Form.
- Leeren Sie den Wasserbehälter.

WARNUNG! Der Schleifstein darf niemals im Wasser verbleiben.

Zubehör

- Das nachfolgend aufgeführte, umfangreiche Zubehörsortiment einschließlich zahlreicher werkzeugspezifischer Schleifführungen kann bei Ihrem Triton-Fachhändler erworben werden:

- Schnitzisen-Schleifführung (TWSCTJ)
- Schleifführung für Drechselmesser (TWSTGJ)
- Scheren-Schleifgestell (TWSSJ)
- Schleifführung für lange Messer (TWSLKJ)
- Hobelmesser-Schleifgestell (TWSPCJ)

- Schleifführung für gerade Klingen (TWSSEJ)
- Tragarmverlängerung (TWSAE)
- Universal-Schleifführung (TWSTR)
- Schließwinkellehre (TWSGAJ)
- Steinpräparierer (TWSG)
- Diamant-Abriechtwerkzeug (TWSDDT)
- Geräteabdeckung (TWSWSC)
- Metallpolitur (TWSMP)
- Ersatz-Schleifsteine und -Abziehscheiben sind über Ihren Triton-Fachhändler erhältlich. Original-Triton-Ersatzteile können online unter www.toolsparsonline.com bezogen werden.

Instandhaltung

Allgemeine Überprüfung

- Überprüfen Sie alle Befestigungsschrauben in regelmäßigen Abständen auf festen Sitz, da sie sich mit der Zeit durch Vibration lockern können.
- Kontrollieren Sie das Netzkabel des Gerätes vor jedem Gebrauch auf Schäden und Verschleiß. Reparaturen müssen durch eine zugelassene Triton-Reparaturwerkstatt erfolgen. Dies gilt auch für mit dem Gerät verwendete Verlängerungskabel.

Reinigung

- Halten Sie Ihr Gerät stets sauber. Durch Staub und Schmutz verschleifen die inneren Teile schnell und die Lebensdauer des Gerätes wird verkürzt. Säubern Sie das Gerätegehäuse mit einer weichen Bürste oder einem trockenen Tuch. Die Entlüftungsoffnungen gegebenenfalls mit sauberer, trockener Druckluft reinigen, sofern verfügbar.

Schleifsteinwartung

- Verwenden Sie keinen Schleifstein, der einen Schlag erhalten hat - insbesondere, wenn dieser seitlich auf den Schleifstein erfolgt ist.
- Ersetzen Sie einen gesprungenen oder anderswie mangelverdächtigen Schleifstein.

- Halten Sie die Schleiffläche stets ebenmäßig. Mit dem separat erhältlichen Diamant-Abriechtwerkzeug (Art.-Nr. TWSDDT) lassen sich ungleichmäßige oder anderweitig abgenutzte Schleifflächen wiederherstellen.
- Anweisungen zum Anbringen des Schleifsteins finden Sie unter „Schleifstein und Wasserbehälter anbringen“.

Hinweis: Beachten Sie, dass die Spindel ein Linksgewinde hat: Drehen Sie sie zum Lösen im Uhrzeigersinn und zum Anziehen gegen den Uhrzeigersinn.

Lederabziehscheibe ersetzen

Wenn die Lederabziehscheibe (1) abgenutzt oder eingerissen ist, muss sie ersetzt werden:

1. Lösen Sie den Feststellknopf (3) und legen Sie ihn beiseite.
2. Nehmen Sie die verschlissene Abziehscheibe von der Spindel und setzen Sie die neue Scheibe auf.
3. Bringen Sie den Feststellknopf wieder an und ziehen Sie ihn fest.

Hinweis: Ziehen Sie ihn nur von Hand an.

Lagerung

- Entleeren Sie stets den Wasserbehälter, reinigen Sie die Maschine und versehen Sie sie vor der Lagerung mit einer Abdeckung.
- Lagern Sie die Maschine niemals zusammen mit einem feuchten oder nassen Schleifstein. Der Schleifstein muss vor dem Abdecken und der längerfristigen Einlagerung vollständig getrocknet sein.
- Lagern Sie diese Maschine an einem warmen, trockenen, sicheren Ort außerhalb der Reichweite von Kindern.

Entsorgung

Beachten Sie bei der Entsorgung von defekten und nicht mehr reparablen Elektrowerkzeugen die geltenden Vorschriften und Gesetze.

- Elektrowerkzeuge und andere elektrische und elektronische Altgeräte nicht über den Hausmüll entsorgen.
- Lassen Sie sich von der zuständigen Behörde bezüglich der ordnungsgemäßen Entsorgung von Elektrowerkzeugen beraten.

Garantie

Zur Anmeldung Ihrer Garantie besuchen Sie bitte unsere Website www.tritontools.com* und tragen dort Ihre persönlichen Daten ein. Ihre Angaben werden (wenn nicht anders angewiesen) in unseren elektronischen Verteiler aufgenommen, damit Sie Information über zukünftige Produktneuerungen erhalten. Die von Ihnen bereitgestellten Angaben werden nicht an Dritte weitergegeben.

Kaufinformation

Kaufdatum: ___/___/___

Modell: TWS10 Bewahren Sie bitte Ihren Beleg als Kaufnachweis auf.

CE-Konformitätserklärung

Name des Unterzeichners: Mr. Darrell Morris

Bevollmächtigt durch: Triton Tools

Erklärt hiermit, dass das Produkt:

Ident.-Nr.: 949257

Produktbeschreibung: Nass-Schleifmaschine

Den folgenden Richtlinien und Normen entspricht:

- Maschinenrichtlinie 2006/42/EG
- Niederspannungsrichtlinie 2006/95/EG
- EMV-Richtlinie 2004/108/EG
- RoHS-Richtlinie 2011/65/EU
- EN 61029-1:2009+A11:2010
- EN 61000-3-2:2006/A1:2009/A2:2009
- EN61000-3-3: 2013
- EN 55014-1:2006/A1:2009/A2:2011
- EN 55014-2: 1997/A1:2001/A2:2008
- EN 50581:2012

Triton garantiert dem Käufer dieses Produkts, dass Triton, wenn sich Teile dieses Produkts innerhalb von 3 Jahren ab Originalkaufdatum infolge fehlerhafter Materialien oder Arbeitsausführung als defekt erweisen, das mangelhafte Teil nach eigenem Ermessen entweder kostenlos reparieren oder ersetzen wird.

Diese Garantie gilt nicht für kommerzielle Verwendung und erstreckt sich nicht auf normalen Verschleiß oder Schäden infolge von Unfall, Missbrauch oder unsachgemäßer Verwendung.

*Bitte registrieren Sie sich innerhalb von 30 Tagen nach dem Kauf online.

Es gelten die allgemeinen Geschäftsbedingungen.

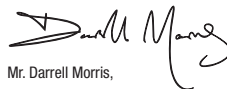
Ihre gesetzlich festgelegten Rechte werden dadurch nicht eingeschränkt.

Benannte Stelle: Intertek

Techn. Unterlagen bei: Triton Tools

Datum: 04.03.2015

Unterzeichnet von:



Mr. Darrell Morris,

Geschäftsführender Direktor

Name und Anschrift des Herstellers:

Powerbox International Limited, Handelsregisternummer 06897059.

Eingetragene Anschrift: Central House, Church Street, Yeovil, Somerset BA20 1HH, Großbritannien

Traduzione delle istruzioni originali

Grazie per aver acquistato questo utensile Triton. Queste istruzioni contengono informazioni utili per il funzionamento sicuro ed affidabile del prodotto. Per essere sicuri di utilizzare al meglio il potenziale dell'utensile si raccomanda pertanto di leggere a fondo questo manuale.

Conservare il manuale in modo che sia sempre a portata di mano e accertarsi che l'operatore dell'elettro utensile lo abbia letto e capito a pieno.

Descrizione dei simboli



Indossare una protezione acustica
Indossare occhiali protettivi
Indossare protezione respiratoria
Indossare il casco



Leggere il manuale di istruzioni



Conforme alla legislazione e alle norme di sicurezza.
Solo per modello UE



Attenzione!



Costruzione di Classe I (terra di protezione)



Solo per uso interno!



Protezione Ambientale

Gli apparecchi elettrici non devono essere smaltiti insieme ai rifiuti domestici. Riciclare dove esistono impianti. Verificare con le autorità locali o con il Vostro rivenditore per un consiglio sul riciclaggio.



Attenzione: Questo prodotto è pesante e per precauzione è consigliabile che due persone assemblano la macchina

Specifiche Tecniche

Modello:	TWSS10
Valutazione :	220V - 240V ~, 50/60Hz, 120W
Azionamento:	Motore a induzione
Velocità a vuoto:	125min ⁻¹
Pietra affilatura:	Ø250 x 50mm
Mola di levigatura:	Ø230 x 30mm
Diametro:	Ø12mm
Lunghezza cavo di alimentazione:	2 m
Classe di protezione:	
Dimensioni (L x A x P):	345 x 370 x 270 mm
Peso:	14.5kg
Informazioni sul livello del suono:	
Pressione Sonora L_{PA}:	86.2dB (A)
Potenza sonora L_{WA}:	99.2dB (A)
Tolleranza K:	3dB

ATTENZIONE: Indossare sempre protezioni per le orecchie, dove il livello sonoro supera i 85 dB (A) e limitare il tempo di esposizione, se necessario. Se i livelli sonori sono scomodi, anche con la protezioni per le orecchie, smettere di usare lo strumento immediatamente e controllare la protezione acustica sia montata correttamente e fornisce il corretto livello di isolamento acustico per il livello del suono prodotto dal vostro strumento.

ATTENZIONE: l'esposizione dell'utente alle vibrazioni dello strumento può causare la perdita del senso del tatto, intorpidimento, formicolio e riduzione della capacità di presa. Esposizione a lungo termine può portare ad una condizione cronica. Se necessario, limitare la lunghezza del tempo esposti a vibrazioni e utilizzare guanti anti-vibrazione. Non utilizzare lo strumento con le mani sotto ad una temperatura normale comoda, siccome le vibrazioni avranno un effetto maggiore. Utilizzare i dati forniti nella specifica relativa alle vibrazioni per calcolare la durata e la frequenza di funzionamento dello strumento.

I livelli sonori e vibrazioni nella specifica sono determinate a secondo EN60745 o simili standard internazionali. Le figure rappresentano un normale utilizzo per lo strumento in normali condizioni di lavoro. Uno strumento a mal tenuta, montata in modo errato, o usato in modo improprio, possono produrre un aumento dei livelli di rumore e vibrazioni. www.osha.europa.eu fornisce informazioni sui livelli sonori e vibrazioni nei luoghi di lavoro che possono essere utili per gli utenti domestici che utilizzano strumenti per lunghi periodi di tempo.

Avvertenze generali di sicurezza

ATTENZIONE! Quando si utilizzano utensili elettrici, le precauzioni di sicurezza di base dovrebbero essere sempre seguite per ridurre il rischio di incendi, scosse elettriche e lesioni personali incluse le seguenti informazioni di sicurezza. Leggere tutte le istruzioni prima di utilizzare il prodotto e conservare queste istruzioni per un utilizzo futuro.

ATTENZIONE: Questo apparecchio non è destinato all'uso da parte di persone (inclusi i bambini) con capacità ridotta, fisiche o mentali o con mancanza di esperienza e di conoscenza, a meno che non siano controllati o istruiti all'uso dell'apparecchio da una persona responsabile della loro sicurezza. I bambini devono essere sorvegliati per assicurarsi che non giochino con l'apparecchio.

ATTENZIONE: Utilizzare lo strumento, accessori, attrezzi, ecc in conformità alle presenti istruzioni, tenendo conto delle condizioni di lavoro e il lavoro da svolgere. L'uso di utensili elettrici per usi diversi da quelli consentiti potrà dar luogo a situazioni di pericolo.

Il termine "elettroutensile" nelle avvertenze si riferisce ad un elettroutensile di rete fissa (con filo) o un utensile a batteria (senza filo).

1 - Mantenere l'area di lavoro libero - *Il disordine e panchine invitano gli infortuni*

2 - Considerare l'ambiente di lavoro

- Non esporre gli utensili alla pioggia

- Non utilizzare gli strumenti in luoghi umidi o bagnati

- Mantenere l'area di lavoro ben illuminata

- Non usare utensili in presenza di liquidi o gas infiammabili

3 - Protezione contro le scosse elettriche - *Evitare il contatto fisico con superfici collegate a terra (p.es. tubi, caloriferi, fornelli, frigoriferi)*

4 - Tenere le altre persone lontane - *Non consentire a persone, soprattutto bambini, non coinvolti nei lavori toccare l'utensile o il cavo di prolunga e tenerli lontani dall'area di lavoro*

5 - Riporre gli elettroutensili - *Quando non è in uso, gli strumenti devono essere conservati in un luogo chiuso a chiave asciutto, fuori dalla portata dei bambini*

6 - Non forzare lo strumento - *Si eseguirà il lavoro meglio e più sicuro alla velocità per la quale è stato previsto*

7 - Utilizzare lo strumento giusto - *Non forzare piccoli attrezzi per fare il lavoro di un attrezzo pesante*

- Non usare utensili per scopi non previsti, ad esempio non utilizzare seghe circolari per tagliare grossi tronchi

8 - Abbigliamento adeguato

- Non indossare abiti larghi o gioielli, che possono rimanere impigliati nelle parti in movimento

- Calzature di sicurezza adatte sono consigliate quando si lavora all'aperto

- Indossare rivestimento di protezione per contenere i capelli lunghi

9 - Utilizzare dispositivi di protezione

- Usare occhiali di sicurezza

- Utilizzare una mascherina antipolvere, se le operazioni di lavoro creano polvere

ATTENZIONE: Non utilizzare dispositivi di protezione o abbigliamento adeguato che può causare lesioni personali o aumentare la gravità di un infortunio.

10 - Collegare apparecchiature di aspirazione - *Se lo strumento è previsto per il collegamento di aspirazione della polvere e di raccolta delle apparecchiature, assicurarsi che siano collegati e utilizzati correttamente*

11 - Non abusare del cavo di alimentazione - *Non tirare mai il cavo di alimentazione per scollegarlo dalla presa. Tenere il cavo di alimentazione lontano da bordi di calore, olio e bordi taglienti. Cavi di alimentazione danneggiati o aggrovigliati aumentano il rischio di scosse elettriche*

12 - Lavoro sicuro - *Dove possibile utilizzare pinze o morse per bloccare il lavoro. È più sicuro che usare la mano*

13 - Non sbilanciarsi - *Mantenere sempre la posizione e l'equilibrio in ogni momento*

14 - Mantenere gli utensili elettrici con cura

- *Mantenere gli utensili da taglio affilati e puliti rende più facile da controllare lo strumento e meno probabilità di legarsi o bloccare il pezzo in lavorazione*

- *Seguire le istruzioni per la lubrificazione e la sostituzione degli accessori*

- *Controllare i cavi di alimentazione degli strumenti periodicamente e se danneggiato mandarle in riparazione presso un centro di assistenza autorizzato*

- *Controllare che i cavi di prolunga periodicamente e sostituirlo se danneggiato*

- *Mantenere le impugnature asciutte, pulite e prive di olio e grasso*

ATTENZIONE: Molti incidenti sono causati da una scarsa manutenzione.

15 - Strumenti di disconnessioni - *Quando non è in uso, prima della manutenzione e durante il cambio accessori come lame, punte e frese, scollegare strumenti dalla rete elettrica*

ATTENZIONE: L'uso di accessori o ricambi non raccomandati dal produttore può comportare un rischio di lesioni alle persone.

16 - Rimuovere le chiavi di registro e chiavi - *formare l'abitudine di controllare per vedere che le chiavi di registro vengono rimossi dallo strumento prima di accenderlo*

17 - Evitare avviamenti accidentali - *Controllare che l'interruttore sia in posizione " off " per il collegamento ad una presa di rete o durante l'inserimento di una batteria, o al quando ritirando o trasportando lo strumento*

ATTENZIONE: L'avviamento non intenzionale di uno strumento è in grado di causare lesioni importanti.

18 - Utilizzare prolunge esterne - *Quando lo strumento viene utilizzato all'aperto, utilizzare solo prolunge per uso esterno e in modo marcato. L'uso di un cavo di prolunga adatto per l'uso esterno riduce il rischio di scosse elettriche*

19 - Fare attenzione

- *Fate attenzione a quello che state facendo, usare il buon senso e non azionare l'utensile quando si è stanchi*

- *Non utilizzare uno strumento di potere, mentre si è sotto l'effetto di droghe, alcol o medicinali*

ATTENZIONE: Un attimo di distrazione durante l'uso può causare gravi lesioni personali.

20 - Controllare le parti danneggiate

- *Prima di un ulteriore utilizzo dell'utensile, esso deve essere attentamente controllato per determinare che funzioni correttamente per svolgere la funzione prevista*

- *Verificare l'allineamento di parti in movimento, legando di parti in movimento, danni ai componenti, montaggio e altre condizioni che possono compromettere il funzionamento*

- *Una guardia o altre parti danneggiate devono essere adeguatamente riparate o sostituite da un centro di assistenza autorizzato se non diversamente indicato nel presente manuale di istruzioni*

- *Gli interruttori difettosi devono essere sostituiti da un centro di assistenza autorizzato*

ATTENZIONE: Non utilizzare lo strumento se l' interruttore on / off non si accende e spegne. L'interruttore deve essere riparata prima di utilizzare l' utensile.

21 - Far riparare da personale qualificato - *Questo utensile elettrico è conforme alle norme di sicurezza. Le riparazioni devono essere eseguite esclusivamente da personale qualificato, altrimenti questo può comportare un notevole pericolo per l'utente*

ATTENZIONE: Per la manutenzione utilizzare solo parti di ricambio identiche.

ATTENZIONE: Se il cavo di alimentazione è danneggiato, deve essere sostituito dal produttore o da un centro di assistenza autorizzato.

22 - La presa dello strumento deve corrispondere alla presa di corrente - *Non modificare la spina in alcun modo. Non usare adattatori per spine con utensili elettrici messa a terra (messa a terra). Le spine non modificate e le prese adatte allo scopo riducono il rischio di scosse elettriche*

23 - In caso di funzionamento di un utensile elettrico all'esterno utilizzare un dispositivo di corrente residua (RCD) - *Utilizzo di un RCD riduce il rischio di scosse elettriche*

NB: Il termine "dispositivo di corrente residua (RCD)" può essere sostituito con il termine "interruttore differenziale (salvavita)" o "interruttore differenziale (ELCB)".

ATTENZIONE: Se utilizzato in Australia o in Nuova Zelanda, si raccomanda che questo strumento viene sempre fornito con dispositivo di corrente residua (RCD) con una corrente differenziale nominale di 30 mA o meno.

ATTENZIONE: Prima di collegare uno strumento ad una fonte di alimentazione (interruttore di rete, presa, ecc), assicurarsi che la tensione è la stessa di quella indicata sulla targhetta dello strumento. Una fonte di alimentazione con tensione superiore a quella specificata per lo strumento è in grado di causare gravi lesioni per l'utente, e danni allo strumento. In caso di dubbio, non attaccare lo strumento. Utilizzando una fonte di alimentazione con tensione inferiore a quella di targa è dannoso per il motore.

Le spine polarizzate (solo Nord America) *Per ridurre il rischio di scosse elettriche, l'apparecchio dispone di una spina polarizzata (una lama più larga dell'altra). Questa spina può essere inserita in una presa polarizzata in un solo modo. Se la spina non entra completamente nella presa, invertire la spina. Se ancora non si adatta, contattare un elettricista qualificato per installare la presa adeguata. Non modificare la spina in alcun modo.*

Sicurezza dell'affiltrice



- **Tenere l'utensile solo dalla sua impugnatura isolata, siccome la mola di smerigliatura potrebbe toccare il cavo di alimentazione.** Tagliando un cavo "live" può esporre le parti metalliche dell'utensile e causare una scossa elettrica all'operatore
- **La macchina è classe 1 (in massa) ed è dotato di un cavo a 3 fili con spina.** Se il cavo o la spina sono danneggiati, il prodotto deve essere riparato a un entro di assistenza autorizzato per evitare rischi di lesione.
- **Si raccomanda fortemente che l'utensile sia sempre alimentato da un dispositivo differenziale con corrente residua con una corrente differenziale nominale di 30 mA o meno.**

- a) **Indossare adeguati dispositivi di protezione individuale compresi occhiali protettivi adatti e protezione delle vie respiratorie.** *NON indossare indumenti ampi, RIMUOVERE gioielli e legare i capelli lunghi indietro. Non mangiare, bere o fumare nell'area di lavoro. Tenere lontani i bambini*
- b) **SEMPRE posizionarti in modo sicuro quando si lavora con la macchina. MAI appoggiarsi sulle ruote rotanti o sbilanciarsi.** *SEMPRE essere pronti a contrastare contraccolpo. A seconda dell'orientamento e rotazione della mola, un pezzo potrebbe essere tirato fuori delle vostre mani o essere gettati verso di voi*
- c) **Questa macchina è progettata per l'affilatura di utensili e lame comuni della famiglia.** *Non è inteso per altri scopi di rettifica, né deve essere utilizzato per macinare altri materiali non comunemente utilizzati per lame,*
- d) **Affilatura deve essere effettuata solo da persone che hanno familiarità con le procedure, le tecniche necessarie e rischi coinvolti.** *Questo manuale descrive solo l'uso generale della macchina, e non può sostituire la formazione formale in metallo e affilatura dello strumento o pratica*
- e) **In caso di dubbi su come usare la macchina per affilare utensili in modo sicuro e conforme alle norme e regolamenti, NON utilizzare**
- f) **Rispettare SEMPRE le linee guida del produttore dell'utensile in materia di affilatura e manutenzione.** *Se le linee guida non sono chiare, restituire lo strumento al produttore per l'affilatura*
- g) **Non tentare di affilare una lama che non è destinato ad essere affilato.** *Alcune lame (ad esempio alcune lame di utensili elettrici) devono essere sostituiti quando smussate, usurate o danneggiate e non può essere affilata e riutilizzata*
- h) **Alcune lame a mano e utensili elettrici dispongono di una geometria complessa. Se tale lama è adatta per l'affilatura, può SOLO essere restituita alla sua geometria originale.** *MAI alterare le caratteristiche delle lame esistenti. Se non siete sicuri su come raggiungere questo obiettivo, fate affilare l'utensile dal fabbricante o da un tecnico qualificato*
- i) **Macchine per la lavorazione dei metalli sono potenzialmente pericolosi se non utilizzati correttamente.** *SEMPRE rispettare regole e le procedure comunemente riconosciuti al riguardo il funzionamento delle macchine carpenteria e l'utilizzo di strumenti manuali*

- j) **Utilizzare sempre gli accessori corretti per l'affilatura di strumenti specifici. Non modificare gli accessori o maschere.** *Non utilizzare mai accessori auto-costruito o modificare la macchina. Questo dispositivo può essere inadatto se gli accessori progettati per compiti specifici di affilatura non sono disponibili. Non affinare strumenti 'a mano libera'*
- k) **Ispezionare la macchina, i suoi dischi, ruote e accessori attentamente prima di ogni utilizzo.** *L'uso di mole abrasive danneggiate è ESTREMAMENTE PERICOLOSO e può causare gravi lesioni per l'operatore e le persone nelle vicinanze*
- l) **Ruote abrasive devono essere ben tenuto e deve avere una superficie di smerigliatura UNIFORME.** *Ricondizionare con una pietra di livellatura o strumento di centratura quando la superficie mostra l'usura irregolare*
- m) **Assicurarsi che i vostri circuiti di potenza soddisfano i requisiti di messa a terra di questa macchina.** *Non collegare mai ai circuiti elettrici, senza terra di protezione, o per presa elettrica non protetti con nessun interruttore o fusibili. Consultare un elettricista qualificato se non del tutto sicuro di come collegare in modo sicuro questa macchina. Collegamenti elettrici errati o danneggiati possono essere la causa di scosse elettriche, incendi e danni alla macchina*

Familiarizzazione del prodotto

1. Mola di levigatura in cuoio
2. Supporti verticali per braccio
3. Pomello di blocco
4. Interruttore On / Off
5. Trogolo d'acqua
6. Pietra di affilatura
7. Rondella in metallo (x2)
8. Dado di chiusura
9. Montaggio orizzontale per braccio di supporto
10. Manopola di regolazione corsa

Accessori inclusi:

11. Braccio di supporto
12. Regolatore altezza del supporto braccio
13. Piazza di affilatura
14. Pietra di ravvivatura
15. Composto per levigatura
16. Chiave di 19 mm
17. Guida ad angolo

Uso previsto

Dispositivo a bassa velocità, affilatura bagnato e levigatura di una varietà di strumenti e lame con maschere specifiche per utensile (opzionale).

Disimballaggio dell'utensile

- Disimballare con cura e controllare il vostro strumento. Familiarizzarsi con tutte le sue caratteristiche e funzioni
- Assicurarsi che tutte le parti dello strumento sono presenti e in buone condizioni. In caso di parti mancanti o danneggiate, sostituite tali pezzi prima di utilizzare questo strumento

Prima dell'uso

Montare la mola e trogolo d'acqua

1. Posizionare una rondella di metallo (7) al di sopra il mandrino con il bordo della rondella rivolto via dalla macchina
2. Posizionare la mola (6) liberamente sul perno, con il centro depresso della mola rivolto verso il corpo della macchina (come mostrato nell'immagine)
3. Allega il trogolo d'acqua (5) in posizione. Utilizzare la posizione di fissaggio appropriati per adattarsi alle dimensioni di mola per garantire che la pietra è libera di ruotare ma che raggiunga ancora di sotto il livello dell'acqua massimo (indicato sul trogolo)

4. Posizionare l'altra rondella metallica (7) al di sopra del mandrino con il bordo della rondella contro la mola
5. Fissare con il dado di bloccaggio (8). Utilizzate la chiave (16) in dotazione per fissare saldamente. NB: Questo mandrino ha un filo retromarcia, girare il dado in senso antiorario per fissure
6. Ruotare la mola a mano pochi giri per garantire che si muove liberamente e con precisione

Mola di levigatura in cuoio

1. L'unità è fornita con la mola in cuoio (1) già montata
2. Prima dell'uso, controllare che la mola è saldamente fissata in posizione
3. Ruotare la manopola di bloccaggio (3) in senso orario per stringere. NOTA: Serrare solo a mano

Posizionamento dell'unità

- Installare l'unità su una superficie di lavoro solida, con tutti e quattro i piedi posizionati in modo sicuro e in modo uniforme sulla superficie

NB: Questa macchina è dotata di quattro piedini in gomma per ridurre le vibrazioni. Posizionare su una superficie di lavoro che non incoraggia o amplifica le vibrazioni dello strumento.

- Assicurarsi che l'area di lavoro è adeguatamente illuminato, e che ci sia spazio sufficiente intorno l'unità e che non ci siano ostacoli

Riempimento dell'acqua

1. Riempi il trogolo di acqua (5) con acqua pulita fredda fino al segno "MAX WATER LEVEL" (Livello di acqua max) sul lato della vasca d'acqua
2. Quando è in uso, assicurarsi che il livello dell'acqua è sempre sufficiente per mantenere la superficie rettifica della mola (6) bagnata

Ingaggiando il sistema di azionamento

1. Stringere la manopola di ingaggio ruota (10) in senso orario fino a che non è stretto contro il corpo della macchina. In questo modo ingaggiare il sistema di azionamento
2. Dopo l'uso, sempre allentare la manopola di ingaggio ruota. Ciò contribuirà a garantire che la ruota mantiene la sua forma corretta

Utilizzando la livellatrice pietra

Utilizzare la livellatrice pietra (14) per rivestire la superficie della mola per la macinazione fini o grossolani:

Per la sgrossatura, per rimuovere una grande quantità di materiale rapidamente (ad esempio, per formare una lama):

- Applicare la parte grossa della livellatrice pietra sulla mola per irruvidire la superficie di rettifica

Per la macinazione fine, per affilare la lama:

- Applicare la parte liscia della livellatrice pietra alla mola per fornire una superficie grana più fina, di circa 1000 graniglia, ideale per affilare la lama, in preparazione per la lucidatura finale del tagliente sulla ruota di levigatura in cuoio

Utilizzando la piazza di affilatura

Fig. 1. Corretto posizionamento della lama nella piazza di affilatura

Per uso con il braccio di supporto (11) e guida ad angolo (17) per impostare la lama esattamente all'angolo corretto per l'affilatura

1. Allentare le manopole sulla piazza di affilatura (13)
2. Posizionare la lama nella piazza in modo che un lato della lama è posizionata contro i fermi di arresto. (Immagine A)
3. Serrare le manopole per fissare la lama in posizione

Utilizzando il braccio di supporto

- Il braccio di supporto (11) può essere fissato per la rettifica con o contro il senso di rotazione della mola

Per la rettifica contro il senso di rotazione:

1. Posizionare il braccio di supporto (11) sui supporti verticali (2) (Immagine B)

Per la rettifica e la levigatura con il senso di rotazione:

1. Posizionare il braccio di supporto (11) sui supporti orizzontali (9) (Immagine C)

Attenzione: La levigatura deve essere SOLO eseguita CON la direzione di rotazione

- Lavorare contro il senso di rotazione rimuove grandi quantità di materiale più velocemente rispetto a lavorare con il senso di rotazione.
- Lavorare con il senso di rotazione può essere utilizzato per l'affilatura più precisa di una lama per gli strumenti più fini e viene utilizzato per la levigatura
- Prendete il vostro tempo e praticare il montaggio con vari tipi e dimensioni di lame in modo che si può ottenere il corretto angolo di affilatura e garantire la lama di essere affilata è quadrata su tutta la superficie della mola
- In generale, per l'affilatura, posizionare il braccio di supporto nei supporti verticali e affinare contro il senso di rotazione
- Non posizionare il braccio di supporto nei supporti verticali quando usando la ruota a levigatura in cuoio. Cercando di affinare la lama contro il senso di rotazione provoca gravi danni alla ruota di levigatura

Utilizzando la guida angolo

- Utilizzare la guida ad angolo (17) per impostare la lama esattamente al corretto angolo di affilatura (Immagine D)

1. Montare la lama nella piazza di affilatura (13) e posizionare il braccio di supporto nel l'inserto di supporto
2. Utilizzare l'indicatore sulla parte esterna della guida angolare per misurare l'angolo smusso della lama.
3. Allentare la manopola di bloccaggio sulla guida ad angolo e regolare il goniometro in modo che le frecce nere sono allineati con la marcatura corretta sul diametro mola (Immagine E)
4. Poi impostare il puntatore all'angolo di smusso richiesto sulla lama (come misurata alla 2 da fase) e stringere la manopola di blocco per bloccare in posizione. (Immagine E)
5. Infilare la piazza d'affilatura sul braccio del supporto in modo che la lama sia appoggiata alla mola
6. Posizione il piede curvato della guida ad angolo sulla mola e la parte piatta del puntatore sulla lama da affilare. (Immagine F)
7. Utilizzare il regolatore altezza del support braccio (12) per regolare l'altezza del braccio di supporto fino a quando la parte piatta sul puntatore della guida ad angolo si trova perfettamente piana sulla lama
8. L'angolo di rettifica sarà ora corretto

Istruzioni per l'uso

Note importanti sulla sicurezza

- Non usare mai l'apparecchio senza indossare tutte le attrezzature necessarie di sicurezza, tra cui occhiali di sicurezza approvati e mascherine antipolvere
- Indossare guanti antitaglio e maneggiare con cura le lame in ogni momento
- NON esaminare la nitidezza di una lama sul dito (o altra parte del corpo)
- La mola e ruota di levigatura ruotano nella direzione indicata dalla freccia sulla parte superiore dell'unità, adiacente ai supporti orizzontali
- Assicurarsi che l'abbeveratoio sia montato correttamente e sufficientemente riempito con acqua prima di iniziare il lavoro. Controllare il livello dell'acqua ad intervalli regolari e rabboccare se necessario. MAI tentare di affilare una lama quando la pietra è asciutta; può essere pericoloso farlo.
- Assicurarsi che la superficie della pietra di affilatura è anche e accuratamente classificata per il compito a portata di mano
- Controllare che la mola ruota liberamente ogni volta prima di avviare lo strumento
- Lasciare sempre una nuova ruota di correre per un minuto prima di utilizzarla. Stare da un lato all'avvio dell'utensile

Accensione e spegnimento

1. Garantire che l'interruttore On/Off (4) è in (O) in posizione OFF
2. Collegare l'unità alla rete elettrica
3. Per accendere, premere l'interruttore on/off in posizione ON (I)
4. Per spegnere, premere il tasto on/off in posizione OFF (O)

Affilare una lama

- Applicare lama alla mola con una pressione uniforme
- Far scorrere la piazza di affilatura avanti e indietro lungo il braccio di supporto per assicurare anche rettifica sulla lama e anche l'usura uniforme della pietra
- Non fare pressione. Una leggera pressione è tutto ciò che è richiesto per l'affilatura

Affilatura senza la piazza di affilatura a bordo quadrato

- Se il pezzo è troppo grande per montare la piazza, è possibile adattare il braccio di supporto (11) e poggiare il pezzo di lavoro sul supporto, con il bordo che punta lontano da voi. Questo vi aiuterà a tenere ferma la lama con l'angolazione richiesta
- Spostare la lama avanti e indietro attraverso la pietra per assicurare una rettifica uniforme sulla lama e un'usura costante della pietra

NB: Un braccio di prolunga (TWSSAE) e diverse piazza per strumenti specifici, come ad esempio il lungo coltello a dima (TWSLKJ) sono disponibili presso il vostro rivenditore Triton. Si consiglia vivamente di utilizzare sempre un adeguato giga specifico durante l'affilatura con questo dispositivo.

La levigatura di una lama

- Dopo l'affilatura, utilizzando la ruota di levigatura in cuoio consente di eliminare ogni bava e dare un bordo liscio tagliente della lama

Attenzione: Sempre affinare una lama nella direzione di rotazione della ruota. MAI affinare contro la direzione della ruota

1. Assicurarsi che la macchina sia scollegata dall'alimentazione durante l'impostazione
2. Impostare il braccio di supporto e piazza come mostrato in Immagine C. Utilizzare la guida ad angolo per controllare l'angolo di lama sia corretta
3. Applicare una generosa quantità del composto di levigatura (15) direttamente alla ruota di levigatura in cuoio (1). La levigatura distribuirà il composto attraverso la ruota
4. Accendere la macchina e passare la lama sulla faccia della ruota di levigatura, garantendo che almeno la metà della larghezza della ruota di levigatura sia sempre in contatto con la lama
5. Lasciare che la ruota di levigatura complete il suo lavoro. Non applicare una forza eccessiva alla ruota
6. Come per l'affilatura, spostare la piazza avanti e indietro lungo il braccio di supporto per assicurare una levigatura costante della lama
7. Non affinare senza il composto di levigatura sulla ruota. Se affinando un certo numero di lame, può essere necessario applicare più composto. Spegnere la macchina e rimuovere la lama prima di applicare il composto

Levigatura senza la piazza di affilatura

- Se il pezzo è troppo grande per montare la piazza, è possibile adattare il braccio di supporto (11) e poggiare il pezzo di lavoro sul supporto, con il bordo che punta lontano da voi. Questo vi aiuterà a tenere ferma la lama con l'angolazione richiesta
- Spostare la lama avanti e indietro attraverso la ruota per garantire, una lucidatura liscia attraverso la lama

Rimozione dei difetti di ingegneria

Il processo di produzione lascia a volte le lame con imperfezioni d'ingegneria sulla superficie della sezione trasversale (o 'faccia') della lama

È possibile rimuovere questi applicando il volto danneggiato della lama sul viso lato della pietra

Spostare il volto della lama sulla faccia della pietra. Non applicare una forza eccessiva, ed evitare che le dita entrano in contatto con la mola

Eseguire questa procedura, prima di affilare la lama

Completando il lavoro

1. Disinserire il sistema di azionamento allentando la manopola d'ingaggio ruota (10). Ciò contribuirà a garantire che la ruota di guida mantiene forma perfetta
2. Svuotare il trogolo d'acqua.

Attenzione: Non lasciare MAI in piedi la mola in acqua

Accessori

- Una vasta gamma di accessori, tra cui diversi, specifiche gighe d'affilatura speciali, sono disponibili presso il vostro rivenditore Triton:
- Giga ad intaglio strumento (TWSCTJ)
- Giga a scriccatura (TWSTGJ)
- Giga a forbici (TWSSJ)
- Giga con lungo coltello (TWSLKJ)
- Giga per curvature (TWSPCJ)
- Giga per bordi dritti (TWSSSJ)
- Braccio di supporto allungabile (TWSSAE)
- Riposo strumento (TWSTR)
- Dima di montaggio (TWSSGA)
- Pietra di affilatura (TWSSG)
- Utensile centraruote diamantato (TWSDDT)
- Copri macchina (TWSWSC)
- Smalto per metallo (TWSMP)
- Sostituzione e rettifica di ruote da levigatura sono disponibili presso il vostro rivenditore Triton; originali parti di ricambio della Triton possono essere ottenuti da toolsparesonline.com

Manutenzione

Ispezione generale

- Controllare regolarmente che tutte le viti di fissaggio siano serrate. Essi possono vibrare allentandosi nel tempo
- Ispezionare il cavo di alimentazione dello strumento, prima di ogni uso, per danni o usura. Le riparazioni devono essere eseguite da un centro assistenza autorizzato Triton. Questo consiglio vale anche per i cavi di prolunga utilizzati con questo strumento

Pulizia

- Mantenere lo strumento pulito in ogni momento. Sporizia e polvere possono causare un'usura rapida delle parti interne e accorciare la vita di servizio della macchina. Pulire il corpo della macchina con una spazzola morbida o un panno asciutto. Se disponibile, utilizzare aria compressa pulita e asciutta e farla soffiare attraverso i fori di ventilazione

Manutenzione della pietra ad affilatura

- Non utilizzare una mola che ha ricevuto un duro colpo, soprattutto al lato della pietra
- Sostituire una pietra rotta o una pietra sospetta
- Mantenere una superficie piana rettifica. Utilizzare lo strumento di levigatura diamantato TWSDDT (disponibile separatamente) per ripristinare la superficie della mola quando è diventato irregolare o presenta altri segni di usura
- Vedere 'Montare la mola e trogolo d'acqua' sulla guida del montaggio di una pietra.

NB: Il mandrino ha il filetto al contrario: girare in senso orario per allentare, in senso antiorario per stringere

Sostituzione della ruota in cuoio

Se la ruota di levigatura in cuoio (1) si consuma o si strappa, deve essere sostituita:

1. Svitare e mettere da parte la manopola di bloccaggio (3)
2. Rimuovere la ruota consumata dal mandrino e posizionare una ruota nuova al suo posto
3. Rimontare la manopola di bloccaggio e stringere. NOTA: Serrare solo a mano

Conservazione

- Svuotare SEMPRE il trogolo di acqua, pulire la macchina e coprire per la conservazione dello strumento
- Non riporre la macchina con una mola bagnata o umida. Garantire SEMPRE che la pietra si è asciugata completamente prima di coprire e conservare a lungo termine
- Conservare con cura questa macchina in un luogo sicuro, caldo, asciutto, fuori dalla portata dei bambini

Garanzia

Per la registrazione della garanzia visitare il sito web www.tritontools.com* e inserire i propri dettagli.

A meno che il proprietario non abbia specificato diversamente, i suoi dettagli saranno inclusi nella lista di distribuzione che sarà utilizzata per inviare regolarmente informazioni sulle novità Triton. I dati personali raccolti saranno trattati con la massima riservatezza e non saranno rilasciati a terze parti.

Informazioni sull'acquisto

Data di acquisto: ___/___/___

Modello N.: TWSS10 Conservare lo scontrino come prova

Dichiarazione di conformità CE

Il sottoscritto: Sig. Darrell Morris

come autorizzato da: Triton Tools

Dichiara che il prodotto:

Codice di identificazione: 949257

Descrizione: Affilatrice ad Umido

Si conforma alle seguenti direttive

- Direttiva macchine 2006/42/CE
- Direttiva bassa tensione 2006/95/CE
- Direttiva compatibilità elettromagnetica 2004/108/CE
- Direttiva RoHS 2011/65/UE
- EN 61029-1:2009+A11:2010
- EN 61000-3-2:2006/+A1:2009/+A2:2009
- EN61000-3-3: 2013
- EN 55014-1:2006/+A1:2009/+A2:2011
- EN 55014-2: 1997/+A1:2001/+A2:2008
- EN 50581:2012

dell'acquisto

Triton Precision Power Tools garantisce all'acquirente di questo prodotto che se qualsiasi parte si rivelasse difettoso a causa di materiali difettosi o di fabbricazione entro 3 ANNI dalla data di acquisto originale, Triton riparerà o sostituirà a sua discrezione, la parte difettosa gratuitamente.

Questa garanzia non si applica ad uso commerciale né si estende alla normale usura o danni a seguito di incidenti, abuso o uso improprio.

* Registrati entro 30 giorni.

Si applicano termini e condizioni.

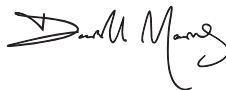
Ciò non pregiudica i diritti legalito be defect

Organismo informato: Intertek

La documentazione tecnica è mantenuta da: Triton Tools

Data: 04/03/2015

Firma:



Signor Darrell Morris

Amministratore Delegato

Nome e indirizzo del fabbricante:

Powerbox International Limited, N°. Società 06897059. Indirizzo registrato:

Central House, Church Street, Yeovil, Somerset BA20 1HH, Regno Unito.

Traducción del manual original

Gracias por haber elegido esta herramienta Triton. Estas instrucciones contienen la información necesaria para un funcionamiento seguro y eficaz de este producto. Lea este manual atentamente para asegurarse de obtener todas las ventajas de las características únicas de su nuevo equipo. Conserve este manual a mano y asegúrese de que todos los usuarios de la herramienta lo hayan leído y entendido

Descripción de los símbolos



Lleve protección auditiva
Lleve protección ocular
Lleve protección respiratoria
Lleve un casco de seguridad



Lea el manual de instrucciones



Conforme a las normas de seguridad y la legislación correspondiente.



¡Peligro!



Protección de clase I (protección a tierra)



Para uso solo en interiores.



Protección medioambiental

Los productos eléctricos usados no se deben mezclar con la basura convencional. Están sujetos al principio de recogida selectiva. Solicite información a su ayuntamiento o distribuidor sobre las opciones de reciclaje.



ADVERTENCIA: Producto pesado. Se necesitan más de una persona para montar esta herramienta.

Características técnicas

Modelo:	TWSS10
Tensión:	220 - 240 V, 50/60 Hz, 120 W
Transmisión:	Motor por inducción
Velocidad sin carga:	125 min ⁻¹
Muela de afilar:	Ø250 x 50 mm
Muela de asentar:	Ø230 x 30 mm
Diámetro del agujero:	Ø12 mm
Longitud del cable de alimentación:	2 m
Clase de protección:	
Dimensiones (L x A x An):	345 x 370 x 270 mm
Peso:	14,5 kg
Información sobre ruido y vibración:	
Presión acústica L_{pa}*:	86,2 dB(A)
Potencia acústica L_{wa}*:	99,2 dB(A)
Incertidumbre k:	3 dB(A)

ADVERTENCIA: Utilice siempre protección auditiva cuando el nivel ruido exceda 85 dB(A) o cuando esté expuesto durante largos periodos de tiempo. Si por algún motivo nota algún tipo de molestia auditiva incluso llevando orejeras de protección, detenga inmediatamente la herramienta y compruebe que las orejeras de protección estén colocadas adecuadamente. Asegúrese de que el nivel de atenuación y protección de las orejeras sea adecuado dependiendo del tipo de herramienta y el trabajo a realizar.

ADVERTENCIA: La exposición a la vibración durante la utilización de una herramienta puede provocar pérdida del sentido del tacto, entumecimiento, hormigueo y disminución de la capacidad de sujeción. La exposición durante largos periodos de tiempo puede provocar enfermedad crónica. Si es necesario, limite el tiempo de exposición a la vibración y utilice guantes anti-vibración. No utilice la herramienta cuando sus manos estén muy frías, las vibraciones tendrán un mayor efecto. Utilice los datos técnicos de su herramienta para evaluar la exposición y medición de los niveles de ruido y vibración.

Los niveles de vibración y ruido están determinados por la directiva EN60745 y otras directivas internacionales similares. Los datos técnicos se refieren al uso normal de la herramienta en condiciones normales. Una herramienta defectuosa, mal montada o desgastada puede incrementar los niveles de ruido y vibración. Para más información sobre ruido y vibración, puede visitar la página web www.osha.europa.eu

Instrucciones de seguridad para herramientas eléctricas

ADVERTENCIA: Lea siempre el manual de instrucciones antes de utilizar esta herramienta. Las herramientas eléctricas pueden ser peligrosas y causar riesgo de incendio o descarga eléctrica si no se utilizan correctamente. Guarde estas instrucciones con la herramienta para poderlas consultar en el futuro.

ADVERTENCIA: No permita que los niños, personas discapacitadas o personas no cualificadas utilicen esta herramienta. Mantenga esta herramienta fuera del alcance de los niños.

PRECAUCIÓN: Utilice la herramienta eléctrica y los accesorios siguiendo siempre las instrucciones suministradas por el fabricante. El uso de cualquier accesorio diferente a los mencionados en este manual podría ocasionar daños o lesiones graves.

La expresión "herramienta eléctrica" se refiere a su herramienta alimentada por corriente eléctrica (herramienta alámbrica) o una herramienta eléctrica alimentada por baterías (herramienta inalámbrica).

- 1. Mantenga el área de trabajo limpia y bien iluminada.** Las áreas de trabajo desordenadas y oscuras son peligrosas y pueden provocar un accidente.
 - 2. Entorno de trabajo adecuado.**

No utilice esta herramienta bajo la lluvia.

No utilice esta herramienta en áreas húmedas o mojadas.

Mantenga el área bien iluminada.

No utilice esta herramienta en áreas con gases o líquidos inflamables.
 - 3. Descargas eléctricas.** Evite el contacto con superficies puestas a tierra tales como tuberías, radiadores, estufas y refrigeradores.
 - 4. Mantenga alejadas a otras personas.** Mantenga alejados a los niños y personas que se encuentren a su alrededor mientras esté trabajando con una herramienta eléctrica.
 - 5. Almacenaje.** Guarde siempre las herramientas eléctricas en un lugar seco fuera del alcance de los niños.
 - 6. No fuerce la herramienta.** La herramienta correcta funcionará mejor y con más seguridad a la velocidad para la que se ha diseñado.
 - 7. Utilice las herramientas y accesorios adecuados.** No intente realizar un trabajo con una herramienta o accesorio que no sea adecuado.
 - 8. Vístase adecuadamente.**

No lleve ropa holgada ni joyas.

Lleve calzado antideslizante

Mantenga el pelo recogido.
 - 9. Use equipo de protección personal.**

Utilice siempre protección ocular.

Use máscara de protección anti-polvo.
- ADVERTENCIA:** No utilizar el equipo de protección adecuado puede provocar lesiones graves.
- 10. Sistema de extracción de polvo.** Utilice siempre sistemas de extracción de polvo y asegúrese de que esté colocado adecuadamente.
 - 11. No doble el cable de alimentación.** No use nunca el cable de alimentación para transportar la herramienta eléctrica, tirar de ella o desenrollarla. Mantenga el cable de alimentación alejado de fuentes de calor, del aceite, de los bordes afilados o de las piezas móviles.
 - 12. Sujete las piezas de trabajo.** Utilice siempre abrazaderas o un tornillo de banco para sujetar la pieza de trabajo.
 - 13. No adopte posturas forzadas.** Manténgase en posición firme y el equilibrio en todo momento.
 - 14. Mantenimiento de las herramientas.**

Las herramientas de corte deben estar siempre afiladas y limpias. Las herramientas de corte correctamente afiladas son menos propensas a trabarse y son más fáciles de controlar.

Lubrique las piezas y accesorios necesarios.

Inspeccione el cable de alimentación periódicamente. En caso de estar dañado, contacte con un servicio técnico autorizado para su reparación.

Inspeccione los cables de extensión regularmente y repárelos si están dañados.

Mantenga siempre las empuñaduras limpias de grasa y aceite.

ADVERTENCIA: Muchos accidentes son causados por herramientas eléctricas que carecen de un mantenimiento adecuado.

15. Desenchufe la herramienta. Desconecte la herramienta eléctrica antes de instalar accesorios (brocas, fresas, disco de corte) o realizar cualquier tarea de mantenimiento.

ADVERTENCIA: Utilice sólo accesorios y piezas recomendadas por el fabricante.

16. Retire todas las llaves de ajuste. Retire siempre todas las llaves de ajuste antes de encender y utilizar la herramienta.

17. Encendido accidental. Asegúrese de que el interruptor esté en la posición de apagado antes de enchufar la herramienta.

ADVERTENCIA: El encendido accidental puede causar lesiones graves.

18. Cables de extensión para exteriores. Cuando utilice una herramienta eléctrica en el exterior, use un cable de extensión adecuado para uso en exteriores. La utilización de un cable adecuado para exteriores reduce el riesgo de descargas eléctricas.

19. Manténgase alerta.

Fíjese en lo que está haciendo y use el sentido común cuando esté utilizando una herramienta eléctrica.

No use herramientas eléctricas si se encuentra cansado o bajo la influencia de drogas, alcohol o medicamentos.

ADVERTENCIA: Un momento de distracción mientras esté utilizando una herramienta eléctrica puede provocar lesiones graves.

20. Piezas en mal estado.

Compruebe que su herramienta funcione correctamente antes de utilizarla.

Revise que no haya piezas en movimiento mal alineadas, trabadas, piezas rotas o cualquier otra condición que pueda afectar el funcionamiento de la herramienta eléctrica.

Algunas de las piezas (ej. protector) deben ser reparadas solamente por un servicio técnico autorizado.

Los enchufes dañados deben repararse únicamente por un servicio técnico autorizado.

ADVERTENCIA: No utilice la herramienta si el botón de encendido/apagado no funciona correctamente. Repárelo en un servicio técnico autorizado.

21. Reparación de su herramienta. Lleve siempre su herramienta eléctrica a un servicio técnico cualificado. No seguir estas instrucciones podría provocar lesiones graves e invalidar la garantía.

ADVERTENCIA: Utilice únicamente piezas de recambio idénticas.

ADVERTENCIA: Si el cable de alimentación está dañado, deberá repararlo en un servicio técnico autorizado.

22. El enchufe de la herramienta eléctrica debe coincidir con la toma de corriente. No modifique nunca el enchufe de ninguna manera. No utilice ningún enchufe adaptador con herramientas eléctricas con tomas a tierra.

Los enchufes no modificados y las tomas de corriente adecuadas reducirán el riesgo de descargas eléctricas.

23. Si es inevitable trabajar con una herramienta eléctrica en lugares húmedos, use un suministro protegido por un interruptor diferencial o disyuntor por corriente diferencial o residual (RCD). El uso de un RCD reduce el riesgo de descargas eléctricas.

ADVERTENCIA: Cuando utilice esta herramienta en Australia o Nueva Zelanda, se recomienda conectar esta herramienta a tomas de corriente protegida con dispositivo de protección de corriente diferencial residual de 30 mA o inferior.

Enchufes polarizados (sólo para enchufes en América del norte). Esta herramienta está equipada con un enchufe polarizado para evitar el riesgo de descarga eléctrica (uno de los conectores es más ancho que el otro). Este tipo de enchufe sólo puede encajar en una posición concreta. Si nota que el enchufe no encaja en la toma, dele la vuelta. Si sigue sin poder enchufarlo correctamente, contacte con un electricista cualificado. No intente cambiar el enchufe de ninguna manera.

Instrucciones de seguridad para amoladoras al agua



¡ADVERTENCIA!

- **Sujete la herramienta por las empuñaduras aisladas cuando utilice esta herramienta donde puedan haber cables bajo tensión ocultos.** El contacto del accesorio con un cable bajo tensión podría provocar descargas eléctricas al usuario.
 - **Esta herramienta dispone de cable de alimentación con protección a tierra clase 1.** Los cables de alimentación que estén dañados deberán sustituirse en un servicio técnico autorizado.
 - **Se recomienda utilizar un suministro protegido por un interruptor diferencial o disyuntor por corriente diferencial o residual (RCD) de 30 mA.**
- a) Lleve siempre equipo de protección individual apropiado. Al usar una amoladora se debe llevar gafas de seguridad, protección auditiva y una máscara anti-polvo. Nunca lleve ropa holgada o joyas. Recójase el cabello. NUNCA coma, beba, ni fume cuando utilice esta herramienta.
- b) Manténgase en una posición estable y segura cuando utilice esta herramienta. Nunca se apoye sobre la muela. Tenga SIEMPRE precaución ante un posible contragolpe. Tenga en cuenta que dependiendo del sentido de rotación de la muela el accesorio podría salir despedido violentamente contra el usuario.
- c) La amoladora en húmedo y seco es una máquina combinada para afilar en basto y en fino y ha sido desarrollada para la elaboración y afilado de cuchillas, tijeras, cinceles y todo tipo de herramienta con filo cortante domésticas.
- d) Esta herramienta solo debe ser utilizada por personas capacitadas y con experiencia previa. Este manual solo describe el funcionamiento de esta herramienta. Las técnicas de afilado y tratamiento de metales no están en este manual.
- e) NO utilice esta herramienta en caso de duda sobre el funcionamiento de la misma.
- f) Lea siempre las instrucciones suministradas por el fabricante sobre el uso y mantenimiento de esta herramienta. No utilice esta herramienta en caso de duda. Contacte con el fabricante de su accesorio para afilar su herramienta.
- g) NUNCA intente afilar accesorios que no deban afilarse. Algunos accesorios (ej. herramientas eléctricas) no pueden afilarse y deben sustituirse inmediatamente cuando estén gastados o dañados.
- h) Las hojas de algunas herramientas eléctricas y manuales pueden tener formas complejas. Afilar este tipo de hojas puede volver a restaurar el filo de corte. NUNCA intente alterar el diseño original del accesorio a afilar. En caso de duda, contacte con el fabricante o un técnico cualificado para afilar correctamente su accesorio.
- i) Las herramientas de afilado y rectificadas de metales pueden ser peligrosas. Siga siempre todas las instrucciones de seguridad, técnicas de afilado y rectificado.
- j) Utilice solamente accesorios recomendados para esta herramienta. Nunca modifique los accesorios y piezas de esta herramienta. Utilizar accesorios no compatibles podría dañar esta herramienta. Sujete siempre el accesorio firmemente con las manos.
- k) **Inspeccione las muelas, discos y accesorios antes de cada uso.** Utilizar muelas abrasivas puede ser peligroso y causar daños al usuario y a las personas situadas alrededor de la zona de trabajo.
- l) Las muelas deben estar en perfectas condiciones y disponer de una superficie uniforme. Rectifique la muela cuando la superficie sea irregular.
- m) Antes de conectar esta herramienta a la toma de corriente, asegúrese de que el voltaje suministrado sea igual al indicado en la chapa de identificación de la herramienta. La toma debe contar con la adecuada puesta a tierra. Conectar esta herramienta a una toma de corriente incorrecta o dañada puede provocar descargas eléctricas y daños personales.

Características del producto

1. Muela de asentar de cuero
2. Soportes verticales para el brazo de soporte
3. Perilla de bloqueo
4. Interruptor de encendido/apagado
5. Bandeja de agua
6. Muela de afilar
7. Arandela de metal (x2)
8. Tuerca de bloqueo
9. Soportes horizontales para el brazo de soporte
10. Perilla de bloqueo del par de giro

Accesorios incluidos:

11. Brazo de soporte
12. Ajustador de altura del brazo de soporte
13. Soporte para accesorios
14. Rectificador de muelas abrasivas
15. Pasta para pulir
16. Llave de 19 mm
17. Guía de ángulo

Aplicaciones

Herramienta para afilar y pulir herramientas con filo de corte utilizando los soportes adecuados (opcional).

Desembalaje

Desembale e inspeccione la herramienta con cuidado. Familiarícese con todas sus características y funciones.

Asegúrese de que el embalaje contiene todas las partes y que están en buenas condiciones. Si faltan piezas o están dañadas, sustitúyalas antes de utilizar esta herramienta.

Antes de usar

Montaje de la muela de afilar y de la bandeja de agua

1. Coloque una arandela de metal (7) sobre el husillo, la corona mirando al lado opuesto de la herramienta.
2. Coloque la muela de afilar (6) holgadamente sobre el husillo, con el centro deprimido de la muela de afilar mirando al lado opuesto de la herramienta (como se muestra en la imagen).
3. Sujete la bandeja de agua (5) en posición. Utilice la posición de fijación adecuada al tamaño de la muela de afilar para asegurarse de que la muela de afilar pueda girar libremente aun llegando por debajo del nivel de agua máximo (según se indica en la bandeja: MAX WATER LEVEL).
4. Coloque la segunda arandela de metal (7) sobre el husillo, su corona de cara a la muela de afilar.
5. Asegure con la tuerca de bloqueo (8). Utilice la llave (16) suministrada para asegurar firmemente.

Nota: Este husillo tiene una rosca inversa, gire la tuerca en sentido contrario de las agujas del reloj para asegurarlo.

6. Gire la muela de afilar a mano un par de vueltas para asegurarse de que se mueva libremente y con precisión.

Muela de asentar de cuero

1. Esta herramienta se suministra equipado con una muela de asentar de cuero (1).
2. Antes de su uso, compruebe que la muela de asentar esté bien sujeta en su sitio.
3. Gire la perilla de bloqueo (3) en sentido de las agujas del reloj para apretar.

Nota: Apriete solo a mano.

Emplazamiento de la herramienta

- Coloque el aparato sobre una superficie sólida, con las cuatro patas firmemente y uniformemente colocadas sobre la superficie.

Nota: Esta herramienta dispone de cuatro patas de goma. Coloque siempre la herramienta sobre una superficie estable.

- Asegúrese de que el área de trabajo esté adecuadamente iluminada, y de que haya suficiente espacio alrededor del aparato para que no haya obstáculos.

Llenado de la bandeja de agua

1. Llene la bandeja de agua (5) con agua fría y limpia hasta la marca que indica el nivel máximo de agua (MAX WATER LEVEL) en el lado de la bandeja de agua.
2. Durante su uso, asegúrese de que el nivel de agua siempre sea suficiente para mantener la superficie de la muela de afilar (6) húmeda.

Accionamiento del sistema de transmisión

1. Apriete la perilla de bloqueo (10) girando en sentido horario hasta que quede bien apretada contra el cuerpo de la herramienta. Esto activará el sistema de transmisión.
2. Después de su uso, siempre afloje la perilla de bloqueo del par de giro. Esto ayudará a asegurar que la rueda de tracción conserva su forma correcta.

Uso del rectificador de muelas abrasivas

Utilice el rectificador de muelas abrasivas (14) para preparar la superficie de la muela y realizar un afilado fino o grueso.

Para un afilado grueso / eliminar una gran cantidad de material de forma rápida (por ejemplo, para dar forma a una hoja):

- Utilice la parte rugosa del rectificador de muelas abrasivas en la muela de afilar para que la superficie de afilado sea más rugosa.

Si se desea un afilado fino / afilar la hoja:

- Utilice la parte lisa del rectificador de muelas abrasivas en la muela para obtener una superficie de grano abrasivo fino, ideal para el afilado de la hoja en la preparación para el pulido final del borde cortante en la muela de asentar de cuero

Utilización del soporte para accesorios

Para usar con el brazo de soporte (11) y la guía de ángulo (17) y fijar la hoja en el ángulo correcto para el afilado:

1. Afloje las perillas del soporte para accesorios (13).
2. Coloque la hoja en el soporte para accesorios para que uno de los bordes de la hoja esté colocado contra los topes (Imagen A).
3. Apriete las perillas para fijar la hoja en la posición.

Utilización del brazo de soporte

- Se puede colocar el brazo de soporte (11) para un afilado en dirección o en contra dirección del sentido de giro de la muela de afilar.
- El asentado solo debe llevarse a cabo en la dirección de la rotación de la muela.

Para realizar un afilado en contra del sentido de giro:

1. Coloque el brazo de soporte (11) sobre los soportes verticales (2) (Imagen B).

Para un afilado y asentado en la dirección de giro:

1. Coloque el brazo de soporte (11) en los soportes horizontales (9) (Imagen C).

ADVERTENCIA: El asentado solo debe llevarse a cabo en la dirección de la rotación de la muela.

- La técnica de trabajar en contra de la dirección de rotación elimina grandes cantidades de material más rápidamente que cuando se trabaja con la dirección de rotación.
- Se puede utilizar la técnica de trabajar con la dirección de rotación para un afilado preciso de una hoja para herramientas más delicadas, y para el asentado.

- Tómese su tiempo y practique la preparación con diversos tipos y tamaños de hojas hasta conseguir el ángulo correcto de afilado y para garantizar que la hoja esté colocada correctamente sobre la superficie de la muela de afilar.
- En general, para el afilado, coloque el brazo de soporte en los soportes verticales y realice el afilado en contra del sentido de giro de la muela.
- **NUNCA** coloque el brazo de soporte en los soportes verticales cuando utilice la muela de asentar de cuero. Asentar la hoja en contra de la dirección de rotación puede causar dañar la muela de asentar.

Utilización de la guía de ángulo

- Utilice la guía de ángulo (17) para fijar la hoja en el ángulo correcto para el afilado (Imagen D):

1. Monte la hoja en el soporte para accesorios (13) y coloque el brazo de soporte en el soporte.
2. Utilice el medidor en el exterior de la guía de ángulo para medir el ángulo del bisel de la hoja.
3. Afloje la perilla de bloqueo en la guía de ángulo y ajuste el transportador para que las flechas negras están alineadas con la marca de diámetro correcta de la muela de afilar (Imagen E).
4. A continuación, establezca el puntero en el ángulo de bisel de la hoja requerido (según lo medido en el paso 2, arriba) y apriete la perilla de bloqueo para bloquear en su posición (Imagen E).
5. Pase el soporte para accesorios a través del brazo de soporte para que la hoja se apoye contra la muela de afilar.
6. Coloque el pie curvo de la guía de ángulo sobre la muela de afilar y la parte plana del puntero sobre la hoja a afilarse (Imagen F).
7. Utilice el ajustador de altura del brazo de soporte (12) para ajustar la altura del brazo de soporte hasta la parte plana en la guía de ángulo del puntero quede totalmente plana en la hoja.
8. El ángulo de afilado estará ajustado correctamente.

Funcionamiento

Instrucciones de seguridad adicionales:

- No utilice nunca el aparato sin llevar el equipo de seguridad necesario, incluyendo gafas de seguridad y mascarilla anti-polvos.
- Utilice guantes resistentes a los cortes y maneje las hojas con precaución.
- **NUNCA** toque el filo de corte de la hoja con el dedo (o cualquier otra parte del cuerpo).
- Compruebe que la muela de afilar gire libremente en el mismo sentido de rotación que la flecha situada en la parte superior de la herramienta junto a los soportes horizontales de montaje.
- Asegúrese de que exista suficiente agua en la bandeja antes de utilizar la herramienta. Compruebe regularmente el nivel de agua y llénelo si es necesario. Nunca intente afilar una hoja en seco, podría ser peligroso.
- Asegúrese de que la superficie de la muela sea uniforme y adecuada para el accesorio utilizado.
- Compruebe que la muela gire correctamente antes de utilizar la herramienta.
- Deje siempre que una muela nueva gire durante un minuto antes de afilar un accesorio. Colóquese a un lado de la herramienta durante el encendido.

Encendido y apagado

1. Asegúrese que el interruptor de encendido/apagado (4) se encuentre en la posición de apagado (O).
2. Conecte la herramienta a la toma de corriente.
3. Para encender la herramienta, coloque el interruptor de encendido/apagado en la posición (I).
4. Para apagar la herramienta, coloque el interruptor de encendido/apagado en la posición (O).

Afilado

- Coloque la hoja en la muela de afilar presionando uniformemente.
- Deslice el soporte para accesorios a lo largo del brazo de soporte para conseguir un afilado uniforme en la hoja y un desgaste uniforme de la muela de afilar.
- No presione excesivamente. Presione ligeramente.

Afilado sin utilizar el soporte para accesorios

- Si la pieza es demasiado grande para montarse en el soporte para accesorios, ajuste el brazo de soporte (11) y coloque la pieza de trabajo sobre el brazo de soporte con el borde de corte en dirección opuesta a usted. Esto le ayudará a mantener estable la hoja en el ángulo deseado.
- Mueva la hoja a través de ambos lados de la muela de afilar para conseguir un afilado uniforme en la hoja y un desgaste uniforme de la muela de afilar.

Nota: La extensión de brazo de soporte (TWSSAE) y otros accesorios como por ejemplo el soporte de afilado para cuchillos grandes (TWSLKJ) están disponibles a través de su distribuidor Triton más cercano. Se recomienda utilizar el soporte específico para cada herramienta que deseemos afilar.

Asentar una hoja

- Después de afilar, el uso de la muela de asentar eliminará cualquier rebaba y le permitirá conseguir un borde de corte afilado y liso.

ADVERTENCIA: Asiente siempre una hoja en dirección de la rotación de la muela. NUNCA asiente la hoja en sentido opuesto a la dirección de la muela.

1. Asegúrese de que la herramienta esté desconectada de la toma de corriente.
2. Coloque el brazo de soporte (11) y el soporte para accesorios, como se muestra en la Imagen C. Utilice la guía de ángulo para comprobar que el ángulo de la hoja sea correcto.
3. Aplique una cantidad generosa de pasta de pulido (15) directamente a la muela de asentar de cuero (1). El asentado distribuirá la pasta a través de la muela.
4. Encienda la herramienta y mueva la hoja a través de la muela de asentar, asegúrese de que al menos la mitad de la anchura de la muela de asentar esté siempre en contacto con la hoja.
5. Deje que la muela de asentar haga el trabajo. No presione excesivamente sobre la muela.
6. Al igual que con el afilado, el soporte para accesorios en ambas direcciones a lo largo del brazo de soporte para conseguir un asentado uniforme de la hoja.
7. NUNCA realice el asentado sin aplicar antes pasta de pulido en la muela. Dependiendo del número de hojas, puede que necesite aplicar más pasta de pulido. Apague la herramienta y retire la hoja antes de aplicar de nuevo la pasta para pulido y asentar una nueva hoja.

Asentar una hoja sin utilizar el soporte para accesorios

- Si la pieza es demasiado grande para montarse en el soporte para accesorios, ajuste el brazo de soporte (11) y coloque la pieza de trabajo sobre el brazo de soporte con el borde de corte en dirección opuesta a usted. Esto le ayudará a mantener estable la hoja en el ángulo deseado.
- Mueva la hoja a través de ambos lados de la muela de afilar para conseguir un afilado uniforme en la hoja y un desgaste uniforme de la muela de afilar.

Eliminar las marcas de fabricación de la hoja

- El proceso de fabricación a veces deja marcas sobre las hojas en la superficie de la sección transversal (o "cara") de la hoja.
- Estas marcas se pueden eliminar al aplicar la cara dañada de la hoja sobre el lado de la muela de afilar.
- Mueva la cara de la hoja lentamente sobre la superficie lateral de la muela de afilar. No presione excesivamente. No deje que los dedos entren en contacto con la muela de afilar.
- Lleve a cabo este procedimiento antes de afilar la hoja.

Últimos pasos

1. Desconecte el sistema de transmisión aflojando la perilla de bloqueo del par de giro (10). Esto ayudará a que la rueda de tracción se conserve en buen estado.
2. Vacíe la bandeja de agua.

ADVERTENCIA: No deje que la muela de afilar permanezca sumergida en agua.

Accesorios

- Existen gran variedad de accesorios para esta herramienta disponibles en su distribuidor Triton más cercano:
- Soporte de afilado para herramientas de corte pequeñas (TWSCTJ)
- Soporte para afilar herramientas de torneado (TWSGTJ)
- Soporte de afilado para tijeras (TWSJ)
- Soporte de afilado para cuchillos grandes (TWSLKJ)
- Soporte de afilado para cepillos de carpintero (TWSPCJ)
- Soporte de afilado para herramientas rectas (TWSSEJ)
- Extensión de brazo de soporte (TWSSAE)
- Soporte de afilado para herramientas (TWSTR)
- Guía de ángulo para afilar (TWSGAJ)
- Rectificador de muela (TWSSG)
- Rectificador de muelas diamantado (TWSDDT)
- Funda protectora para afiladora al agua (TWSWAG)
- Pasta para pulir metales (TWSMP)
- Existen muelas de asentar y afilado de repuesto disponibles en su distribuidor Triton más cercano o a través de www.toolsparsonline.com

Mantenimiento

Inspección general

Compruebe regularmente que todos los tornillos y elementos de fijación estén bien apretados. Con el paso del tiempo pueden vibrar y aflojarse.

Inspeccione el cable de alimentación antes de utilizar esta herramienta y asegúrese de que no esté dañado. Las reparaciones deben realizarse por un servicio técnico Triton autorizado.

Limpeza

- Mantenga la herramienta siempre limpia. Limpie siempre el polvo y las partículas y nunca deje que los orificios de ventilación se bloqueen. Utilice un cepillo suave o un paño seco para limpiar la herramienta. Si dispone de un compresor de aire comprimido, sople con aire seco y limpio para limpiar los orificios de ventilación.

Muela de afilar

- No utilice una muela de afilar que haya recibido un golpe, especialmente en el lateral de la muela.
- Sustituya una muela de afilar si está dañada o agrietada.
- Mantenga la muela en buen estado. Utilice el Rectificador de muelas diamantado TWSDDT (se vende por separado) para restaurar la muela de afilado.
- Véase "Montaje de la muela de afilar" para instalar una muela de afilar correctamente.

Nota: Tenga en cuenta que el husillo se enrosca de forma invertida: gire en sentido horario para aflojarlo, y en sentido antihorario para apretarlo.

Sustitución de la muela de asentar

Si la muela de asentar de cuero (1) se ha desgastado o dañado, deberá sustituirla:

1. Desenrosque y retire la perilla de bloqueo (3).
2. Retire la muela gastada del husillo y coloque la nueva muela.
3. Vuelva a colocar la perilla de bloqueo y apriétela.

Nota: Apriete a mano solamente.

Almacenaje

- Vacíe SIEMPRE el agua y limpie la herramienta antes de almacenarla.
- NUNCA guarde esta herramienta con las muelas mojadas o húmedas. Asegúrese de que estén completamente secas antes de almacenar la herramienta.
- Guarde esta herramienta y accesorios en un lugar seco y seguro fuera del alcance de los niños.

Reciclaje

Deshágase siempre de las herramientas eléctricas adecuadamente respetando las normas de reciclaje indicadas en su país.

- No deseche las herramientas y aparatos eléctricos junto con la basura convencional. Recícelos siempre en puntos de reciclaje.
- Póngase en contacto con la autoridad local encargada de la gestión de residuos para obtener más información sobre cómo reciclar este tipo de herramientas correctamente.

Garantía

Para registrar su garantía, visite nuestra página Web en www.tritontools.com* e introduzca sus datos personales.

Estos datos serán incluidos en nuestra lista de direcciones (salvo indicación contraria) de manera que pueda recibir información sobre nuestras novedades. Sus datos no serán cedidos a terceros.

Recordatorio de compra

Fecha de compra: ___/___/___

Modelo: TWSS10 Conserve su recibo como prueba de compra.

Declaración de conformidad CE

El abajo firmante: Mr Darrell Morris

Autorizado por: Triton Tools

Declara que el producto:

Código de identificación: 949257

Descripción: Afiladora al agua

Está en conformidad con las directivas:

- Directiva de máquinas 2006/42/CE
- Directiva de baja tensión 2006/95/CE
- Compatibilidad electromagnética 2006/95/CE
- Directiva RoHS 2011/65/CE
- EN 61029-1:2009+A11:2010
- EN 61000-3-2:2006/+A1:2009/+A2:2009
- EN61000-3-3: 2013
- EN 55014-1:2006/+A1:2009/+A2:2011
- EN 55014-2: 1997/+A1:2001/+A2:2008
- EN 50581:2012

Las herramientas Triton disponen de un periodo de garantía de 3 años una vez haya registrado el producto en un plazo de 30 días contados a partir de la fecha de compra. Si durante ese periodo apareciera algún defecto en el producto debido a la fabricación o materiales defectuosos, Triton se hará cargo de la reparación o sustitución del producto adquirido. Esta garantía no se aplica al uso comercial por desgaste de uso normal, daños accidentales o por mal uso de esta herramienta.

* Registre el producto online en un plazo de 30 días contados a partir de la fecha de compra.

Se aplican los términos y condiciones.

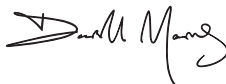
Esto no afecta a sus derechos legales.

Organismo notificado: Intertek

La documentación técnica se conserva en: Triton Tools

Fecha: 04/03/2015

Firma:



Mr Darrell Morris

Director General

Nombre y dirección del fabricante:

Powerbox International Limited, N° de registro: 06897059. Dirección legal: Central House, Church Street, Yeovil, Somerset BA20 1HH, Reino Unido.

Tradução das instruções originais

Obrigado por comprar esta ferramenta Triton. Este manual contém as informações necessárias para a operação segura e eficiente deste produto. Este produto apresenta recursos exclusivos, e mesmo que você esteja familiarizado com produtos similares, é necessário ler o manual cuidadosamente para garantir que as instruções sejam totalmente entendidas. Assegure-se de que todos os usuários desta ferramenta leiam e compreendam totalmente o manual.

Descrição dos símbolos



Use proteção auricular
Use proteção ocular
Use proteção respiratória
Use proteção de cabeça



Leia o manual de instruções



Cumpra a legislação e os padrões de segurança aplicáveis (Somente modelos da Europa)



Cuidado!



Construção de classe I (protegida por terra).



Apenas para uso interno (bateria e carregador de bateria)!



Proteção ambiental

O descarte de produtos elétricos não deve ser feito no lixo doméstico. Faça a reciclagem em locais próprios para isso. Consulte as autoridades locais ou seu revendedor para saber como reciclar.



ATENÇÃO: Este produto é pesado e recomenda-se, como precaução, a montagem por duas pessoas.

Especificação

Modelo no.:	TWSS10
Classificação:	220V - 240V~, 50Hz, 120W
Motorização:	Motor de indução
Velocidade sem carga:	125min ⁻¹
Pedra de amolar:	Ø250 x 50mm
Disco esmeril:	Ø230 x 30mm
Tamanho do furo:	Ø12mm
Comprimento do cabo elétrico:	2m
Classe de proteção:	
Dimensões (C x A x L):	345 x 370 x 270mm
Peso:	14,5kg
Informações de nível sonoro:	
Pressão sonora L _{pa} :	86,2dB(A)
Potência sonora L _{wa} :	99,2dB(A)
Incerteza K:	3 dB

AVISO: Use sempre proteção auditiva apropriada, quando o ruído da ferramenta ultrapassar 85dB(A), e limite o tempo de exposição ao mínimo necessário. Caso os níveis de ruído se tornem desconfortáveis, mesmo com proteção auditiva, pare imediatamente de usar a ferramenta e verifique se a proteção auditiva está ajustada de forma correta, de modo prover a atenuação sonora correta, para o nível de ruído produzido pela ferramenta.

AVISO: A exposição do usuário à vibração da ferramenta pode resultar em perda de sentido do tato, dormência, formigamento e diminuição da capacidade de agarrar. A exposição por longo prazo pode levar a uma condição crônica. Caso necessário, limite o período de tempo que fica exposto à vibração e use luvas antivibração. Não use a ferramenta com as mãos expostas a uma temperatura abaixo da temperatura normal confortável, uma vez que a vibração tem mais impacto nessa condição. Use os valores fornecidos na especificação relativa a vibrações, para calcular a duração e frequência de uso da ferramenta.

Os níveis sonoros e de vibração da especificação são determinados de acordo com a norma EN60745, ou por padrão internacional similar. Os valores consideram o uso normal da ferramenta, sob condições de trabalho normais. Uma ferramenta montada, mantida ou usada incorretamente, poderá produzir níveis de ruído, e de vibração, superiores. O site: www.osha.europa.eu fornece mais informações sobre níveis de vibração e ruído no local de trabalho e pode ser útil para usuários domésticos que usam ferramentas por longos períodos de tempo.

Segurança geral

AVISO! Quando se trabalha com ferramentas elétricas, devem ser tomadas precauções básicas de segurança para se reduzir o risco de incêndio, choques elétricos e ferimentos pessoais, incluindo as seguintes informações de segurança. Leia todas estas instruções antes de tentar operar este produto e guarde-as para uso posterior.

AVISO: Este equipamento não foi projetado para ser usado por pessoas (inclusive crianças) com capacidade física ou mental reduzida ou com falta de experiência ou conhecimento, exceto se estiverem sob supervisão ou houverem recebido instruções relativas ao uso do equipamento pela pessoa responsável por sua segurança. As crianças devem ser supervisionadas para garantir que não brinquem com o equipamento.

CUIDADO: Use a ferramenta elétrica, seus acessórios e outros elementos de acordo com estas instruções, considerando as condições de trabalho e o serviço a ser executado. O uso da ferramenta para operações diferentes daquelas para as quais foi projetada pode resultar em uma situação de risco. O termo "ferramenta elétrica", nos avisos, se refere a uma ferramenta elétrica que usa alimentação da rede (com cabo elétrico) ou uma bateria (sem cabo elétrico).

1 - Mantenha o local de trabalho limpo - Locais e bancadas desordenadas são um convite a ferimentos.

2 - Providencie um ambiente de trabalho adequado

- onde as ferramentas não fiquem expostas à chuva
- onde as ferramentas não tenham contato com água ou umidade
- que seja bem iluminado

- onde as ferramentas não sejam usadas na presença de gases ou líquidos inflamáveis

3 - Proteja-se contra os choques elétricos - Evite contato do seu corpo com superfícies aterradas (por ex., canos, radiadores, fogões, refrigeradores).

4 - Mantenha outras pessoas afastadas do local - Não deixe que outras pessoas, especialmente crianças, não envolvidas no trabalho, toquem a ferramenta ou o cabo de alimentação elétrica e mantenha-as afastadas do local de trabalho.

5 - Guarde ferramentas que não estejam em uso - Quando não estiverem sendo usadas, as ferramentas deverão ser guardadas em um local seco e trancado, longe do alcance de crianças.

6 - Não force a ferramenta - Ela fará o trabalho de uma forma melhor e mais segura, se usada da forma para a qual foi concebida.

7 - Use a ferramenta correta - Não force ferramentas pequenas a fazerem o trabalho de uma ferramenta de serviço pesado.

- Não use as ferramentas para fins não previstos; por exemplo, não use serras circulares para cortar galhos ou toras de árvores.

8 - Vista-se de forma apropriada

- Não use roupas soltas ou joias, que podem ser agarradas por peças móveis.
- Recomenda-se o uso de calçados de segurança adequados, quando trabalhar ao ar livre.
- Use uma toca de proteção para prender cabelos longos.

9 - Use equipamento de proteção

- Use óculos de segurança
- Use uma máscara contra poeira se o trabalho produzir poeira ou serragem.

AVISO: O não utilização de equipamentos de proteção ou do vestuário adequado poderá provocar ferimentos pessoais ou aumentar a gravidade dos ferimentos.

10 - Use equipamento de coleta e extração de poeira ou serragem - Se a ferramenta tem encaixe para equipamento de coleta e extração de serragem e poeira, assegure-se de utilizá-lo.

11 - Não abuse do cabo de alimentação - Nunca sacuda ou puxe o cabo de energia para desconectá-lo da tomada. Mantenha o cabo de alimentação longe do calor, óleo e bordas afiadas. Cabos danificados ou emaranhados aumentam o risco de choque elétrico.

12 - Prenda a peça de trabalho - Sempre que possível, use braçadeiras ou uma morsa para prender a peça de trabalho. É mais seguro do que usar sua mão.

13 - Não se estique demais - Mantenha sempre o equilíbrio e os pés em local firme.

14 - Faça a manutenção cuidadosa das ferramentas

- Manter as ferramentas de corte afiadas e limpas, torna-as mais fáceis de controlar e reduz as chances de que travarem na peça de trabalho.

- Sigas as instruções de lubrificação e de substituição de acessórios.

- Inspeção os cabos de energia da ferramenta, periodicamente, e, caso estejam danificados, providencie o reparo por uma oficina de assistência técnica autorizada.

- Inspeção os cabos de extensão periodicamente e substitua-os, se estiverem danificados.

- Mantenha as empunhaduras secas, limpas e livres de óleo e graxa.

AVISO: Muitos acidentes são causados por ferramentas mal conservadas.

15 - Desconecte as ferramentas - Quando não estiverem em uso e antes de efetuar a manutenção, ou quando for trocar acessórios, como lâminas brocas e facas, desconecte as ferramentas da alimentação elétrica.

AVISO: O uso de acessórios não recomendados pelo fabricante poderá resultar em risco de ferimentos.

16 - Remova as chaves e ferramentas - Crie o hábito de verificar se não ficou nenhuma ferramenta ou chave dentro da máquina, antes de ligá-la à alimentação elétrica.

17 - Evite partidas não intencionais - Assegure-se de que o interruptor está na posição "desligado", quando ligar a máquina na tomada de energia, quando estiver inserindo um conjunto de baterias ou quando for pegar ou transportar a máquina.

AVISO: A partida não intencional de uma ferramenta pode causar ferimentos graves.

18 - Use extensões próprias para uso externo - Quando a máquina for usada ao ar livre, use somente cabos de extensão próprios para uso externo, e que tenham esse tipo de indicação em seu corpo. A utilização de um cabo de extensão adequado para uso externo reduz o risco de choque elétrico.

19 - Fique alerta

- Preste atenção ao que está fazendo, use o bom senso e não opere a máquina quando estiver cansado.
- Não use ferramentas elétricas quando estiver sob influência de drogas, álcool ou medicamentos.

AVISO: Um momento de desatenção, quando se opera uma ferramenta elétrica, pode resultar em ferimentos pessoais graves.

20 - Verifique se existem peças danificadas

- Antes de usar a ferramenta, esta deverá ser cuidadosamente inspecionada para se garantir que funcionará corretamente e de acordo com sua finalidade pretendida.
- Verifique o alinhamento ou empenamento das peças móveis, se existem peças quebradas ou outras condições que possam afetar a operação da máquina.
- Uma proteção, ou peça, que esteja danificada deverá ser consertada de forma correta, ou substituída, em uma oficina de assistência técnica autorizada, a menos que o manual de instruções dê outra orientação.
- Interruptores defeituosos devem ser consertados em uma oficina de assistência técnica autorizada.

AVISO: Não use a máquina se o interruptor liga/desliga não estiver funcionando. Nesse caso, o interruptor precisará ser reparado, antes que a máquina volte a ser usada.

21 - A máquina deve ser reparada por uma pessoa qualificada - Esta ferramenta elétrica atende as normas de segurança aplicáveis. Os reparos só devem ser efetuados por pessoal qualificado pois, de outro modo, poderão surgir perigos consideráveis para o usuário.

AVISO: Quando trocar peças, use apenas peça originais idênticas.

AVISO: Se o cabo de força estiver danificado, deverá ser substituído pelo fabricante, ou por um centro de assistência técnica autorizado.

22 - O plugue de tomada do cabo de alimentação da máquina deve corresponder ao padrão da tomada de parede - Nunca modifique o plugue. Nunca use conectores adaptadores em ferramentas elétricas com fio terra (aterradas). Plugues sem modificações e tomadas corretas reduzem o risco de choques elétricos.

23 - Caso esteja usando uma ferramenta elétrica, use um disjuntor DR - O uso de um disjuntor DR reduz o risco de choques elétricos.

NOTA: O termo “Dispositivo de Corrente Residual” (Disjuntor DR, Disjuntor Diferencial, Disjuntor Diferencial Residual, ou, simplesmente, DR), poderá ser substituído pelo termo “ground fault circuit interrupter (GFCI)” (Disjuntor de Falha de Terra) ou “earth leakage circuit breaker (ELCB)” (Disjuntor de Fuga de Terra).

AVISO: Quando usada na Austrália ou Nova Zelândia, recomenda-se que esta ferramenta seja SEMPRE alimentada através de um Dispositivo de Corrente Residual (DR), com corrente residual nominal de 30mA ou menos.

AVISO: Antes de conectar uma ferramenta a uma fonte de energia (conector do interruptor de energia da rede, tomada de parede, etc.), certifique-se de que a voltagem de alimentação tem o mesmo valor que o especificado na etiqueta de identificação da ferramenta. Uma fonte de energia com uma voltagem acima da especificada para a ferramenta poderá resultar em ferimentos graves e danificar a ferramenta. Se estiver em dúvida, não conecte a ferramenta. Usar uma fonte de energia com voltagem abaixo da voltagem nominal, especificada na placa de identificação, poderá ser prejudicial para o motor.

Plugues com polaridade (apenas nos Estados Unidos). Para reduzir o risco de choques elétricos, este equipamento tem um plugue de tomada polarizado (um dos terminais é mais largo do que o outro). Este plugue só encaixa em uma tomada polarizada em uma das duas posições. Caso o plugue não esteja encaixando na tomada, inverta-o. Se após a reversão ainda não encaixar, contate um electricista qualificado para instalar uma tomada correta. Não modifique o plugue de forma alguma.

Segurança do esmeril triton



WARNING!

- **Segure a ferramenta elétrica apenas pelas superfícies isolantes, porque o disco esmeril poderá entrar em contato com seu próprio cabo. O corte do cabo eletrificado poderá eletrificar as partes metálicas expostas da ferramenta, causando um choque elétrico no operador**
 - **Esta máquina é de classe 1 (aterrada) e está equipada com um cabo e tomada de 3 pinos. Caso o cabo elétrico ou tomada sejam danificados, o produto deverá ser consertado por um Centro de Assistência Técnica Autorizado, para evitar perigos.**
 - **Recomenda-se fortemente que esta ferramenta seja alimentada através de um dispositivo de corrente residual (DR) com corrente residual nominal de 30 mA ou menos.**
- a) **Use equipamento de proteção individual adequado, incluindo óculos de segurança e máscara respiratória. NÃO use roupas soltas, REMOVA jóias e prenda cabelos longos. NÃO coma, beba ou fume na área de trabalho. Mantenha crianças afastadas.**
- b) **Fique SEMPRE em pé bem apoiado, quando trabalhar com esta máquina. NUNCA se incline sobre os discos abrasivos em rotação, ou se estique demais. Esteja SEMPRE preparado para eventuais contragolpes. Dependendo do sentido e rotação do disco abrasivo, a peça de trabalho poderá ser puxada de você ou atirada em sua direção.**
- c) **A máquina foi projetada para a amolação de ferramentas e lâminas de uso doméstico comum. Não serve para esmerilamento de outros tipos, nem deve ser usada para amolar materiais diferentes dos normalmente usados nas lâminas.**
- d) **Esta máquina só deve ser usada para amolar por pessoas familiarizadas com os procedimentos, técnicas necessárias e perigos envolvidos no processo. Este manual descreve apenas o uso geral da máquina, e não pode substituir o treinamento formal em trabalhos com metal e esmerilamento de ferramentas, ou a prática nessas atividades.**
- e) **Caso não tenha certeza de como usar esta máquina para amolar ferramentas de modo seguro, de acordo com os regulamentos e normas de segurança, NÃO a utilize.**

- f) **Siga SEMPRE as orientações do fabricante a respeito da amolação e manutenção. Caso as orientações não estejam claras, retorne a ferramenta ao fabricante para amolação.**
- g) **NUNCA tente amolar uma lâmina que não foi concebida para ser amolada. Algumas lâminas (por ex., algumas lâminas de ferramentas elétricas) devem ser substituídas quando cegas, gastas ou danificadas e NÃO DEVEM ser amoladas ou reusadas.**
- h) **Algumas lâminas de ferramentas elétricas e manuais possuem uma geometria complexa. Se uma lâmina for própria para ser amolada, deve ser amolada APENAS para restaurar sua geometria original. NUNCA altere as características de uma lâmina. Caso não tenha certeza como conseguir isso, solicite a amolação da ferramenta ao fabricante, ou a um técnico treinado.**
- i) **Máquinas que trabalham com metais são potencialmente perigosas, caso não sejam usadas corretamente. Siga SEMPRE as regras e procedimentos amplamente reconhecidos, relativos à operação de máquinas que trabalham com metais e a máquinas de uso manual.**
- j) **Use SEMPRE os acessórios corretos para amolar as ferramentas específicas. Nunca altere os acessórios ou guias. Nunca use acessórios feitos por você mesmo, ou modifique a máquina. Esta máquina poderá não ser adequada ao uso, caso não estejam disponíveis os acessórios específicos para as tarefas de amolação em questão. NÃO amole ferramentas ' à mão livre'**
- k) **Inspeccione cuidadosamente a máquina, seus discos e acessórios antes de CADA utilização. O uso de discos abrasivos danificados é EXTREMAMENTE PERIGOSO e pode causar FERIMENTOS sérios ao operador e às pessoas que estiverem próximas.**
- l) **Os discos abrasivos devem receber a manutenção adequada e estar com uma superfície abrasiva uniforme. Recondicione com um aferidor de pedra ou com uma ferramenta de retífica, quando a superfície apresentar um desgaste irregular.**
- m) **Assegure-se que seus circuitos de energia elétrica atendem os requisitos de aterramento desta máquina. Nunca conecte a circuitos elétricos sem o terra de proteção, ou a uma tomada elétrica sem proteção de um disjuntor ou fusível. Consulte um electricista qualificado, caso tenha dúvidas de como conectar esta máquina de forma segura. Conexões incorretas ou danificadas poderão provocar choques elétricos, incêndios ou danos à máquina.**

Familiarização com o produto

1. Disco de esmeril de couro
2. Apoios verticais do braço de suporte
3. Botão de trava
4. Interruptor Liga/Desliga
5. Cuba de água
6. Pedra esmeril
7. Arruela metálica (x2)
8. Porca de bloqueio
9. Apoios horizontais do braço de suporte
10. Botão de ajuste de torque

Acessórios inclusos:

11. Braço de suporte
12. Ajuste de altura do braço de suporte
13. Guia esquadro
14. Pedra de amolar
15. Pasta de polimento
16. Chave de boca de 19 mm
17. Guia angular

Uso pretendido

Dispositivo concebido para a amolação e afiação úmida de uma variedade de ferramentas e lâminas, com o uso de guias específicas para cada ferramenta (opcional).

Desembalagem de seu produto

- Desembale e inspecione cuidadosamente seu produto. Familiarize-se com todos os seus recursos e funções.
- Certifique-se de que todas as peças do produto estão presentes e em bom estado. Caso estejam faltando peças ou existam peças danificadas, substitua-as primeiro, antes de tentar usar a ferramenta.

Antes do uso

Instalação da pedra esmeril e da cuba de água

1. Instale a arruela metálica (7) no eixo, com a face voltada para longe do corpo da máquina.
2. Instale a pedra esmeril (6), com folga, no eixo, com o lado rebaixado voltado para fora do corpo da máquina (como mostrado na figura).
3. Prenda a cuba de água (5) em sua posição. Use a posição de fixação apropriada ao tamanho da pedra esmeril, para garantir que a pedra fica livre para rodar, porém ainda alcança uma posição abaixo no nível máximo de água (conforme as marcações).
4. Instale a outra arruela de metal (7) no eixo, com o perfil virado para a pedra esmeril.
5. Aperte a porca de bloqueio (8). Use a chave (16) para apertar firmemente.

Nota: O eixo possui uma rosca invertida, gire a porca no sentido anti-horário para apertá-la.

6. Gire a pedra esmeril, à mão, algumas voltas para se assegurar de que ela está girando livremente e com precisão.

Disco esmeril de couro

1. Esta unidade é fornecida com um disco esmeril de couro (1) instalado.
2. Antes do uso, verifique se este disco está preso firmemente.
3. Gire o botão de trava (3) no sentido horário para apertar.

Nota: Aperte apenas à mão.

Posicionamento da unidade

- Instale a unidade sobre uma superfície de trabalho sólida, com todos os quatro pés firmemente apoiados na superfície.

Nota: Esta máquina possui quatro pés de borracha para reduzir a vibração. Instale-a em uma superfície que não propicie ou amplifique a vibração.

- Certifique-se de que existe luz adequada para ver o trabalho de forma clara e espaço suficiente em torno da máquina, sem obstruções.

Abastecimento da cuba de água

1. Encha a cuba (5) com água limpa e fria até à marca 'MAX WATER LEVEL' (Nível máx. de água), que fica na lateral da cuba.
2. Quando estiver usando a cuba de água, certifique-se de que o nível de água é sempre suficiente para manter a superfície de esmerilamento (6) molhada.

Engate do sistema de acionamento

1. Aperte o botão de ajuste de torque (10), girando-o no sentido horário, até que esteja apertado contra o corpo da máquina. Isto engatará o sistema de acionamento.
2. Depois do uso, solte sempre botão de ajuste de torque. Isto ajuda a garantir que o disco de acionamento mantém a forma correta.

Uso do aferidor de pedra

Use o aferidor de pedra (14) para preparar a superfície da pedra esmeril para esmerilamento fino ou grosseiro:

No caso de esmerilamento grosseiro, que remove uma grande quantidade de material rapidamente (por exemplo, na amolação de uma lâmina):

- Use o lado grosseiro do aferidor de pedra para tornar a superfícies da pedra esmeril mais áspera.

No caso de esmerilamento fino, para amolar a lâmina:

- Use o lado liso do aferidor de pedra para tornar a superfície da pedra esmeril mais fina, tornando-a ideal para amolar uma lâmina antes do polimento final que será realizado com o disco esmeril de couro.

Uso da guia esquadro

Para uso com o braço de suporte (11) e com a guia angular (17), para deixar a lâmina no ângulo exato para a amolação.

1. Solte os botões da guia esquadro (13)
2. Encaixe a lâmina na guia de modo que uma das bordas fique contra os batentes de extremidade (Fig. 1).
3. Aperte os botões para prender a lâmina na posição.

Uso do braço de suporte

- O braço de suporte (11) pode ser preso fixado para a operação de esmerilamento, tanto a favor como contra o sentido de rotação do disco esmeril.

Para esmerilamento contra o sentido de rotação do disco:

1. Instale o braço de suporte (11) nos Apoios verticais (2)

Para esmerilamento e amolação no sentido de rotação do disco:

1. Instale o braço de suporte (11) nos Apoios horizontais (9)

AVISO: A amolação SÓ deve ser realizada NO SENTIDO de rotação do disco esmeril.

- Trabalhar contra o sentido de rotação do disco esmeril provoca a remoção de grandes quantidades de material, mais rapidamente, do que quando se trabalha no sentido dessa rotação.
- Os trabalhos no sentido da rotação podem ser usados para obter uma amolação muito precisa de ferramentas.
- Separe um tempo para praticar o ajuste com os vários tipos e tamanhos de lâmina, de modo que possa descobrir o ângulo de amolação correto e garantir que a lâmina é amolada em ângulo reto com a superfície da pedra esmeril.
- De maneira geral, no esmerilamento, posicione o braço de suporte nos apoios verticais e trabalhe contra a direção de rotação.
- NUNCA instale o braço de suporte nos apoios verticais, quando for usar o disco esmeril de couro. Tentativas de amolar uma lâmina contra o sentido de rotação provocarão danos severos ao disco esmeril.

Uso da guia angular

- Use a guia angular (17) para ajustar a lâmina no ângulo exato de amolação.

1. Instale a lâmina na guia esquadro (13) e coloque o braço de suporte nos apoios.
2. Use a escala na parte externa da guia angular para medir o ângulo de inclinação da lâmina.
3. Solte o botão de trava na guia angular e ajuste o transferidor de modo que as setas pretas fiquem alinhadas com a marcação correta do diâmetro da pedra esmeril (Fig. 5).
4. Depois disso, ajuste o ponteiro no ângulo de inclinação de lâmina requerido (conforme medido no passo 2, acima) e aperte o colar de travamento para travar a posição (Fig. 5).
5. Rosqueie a guia esquadro no braço de suporte de modo que a lâmina descanse contra a pedra esmeril.
6. Posicione o pé curvado da guia angular na pedra esmeril e a seção plana do ponteiro na lâmina a ser amolada (Fig. 6).
7. Use o ajuste de altura do braço de suporte (12) para efetuar esse ajuste, até que a seção plana do ponteiro da guia angular fique perfeitamente plana sobre a lâmina.
8. O ângulo de esmerilamento estará correto nesse momento.

Operação

Notas de segurança importantes:

- Nunca use esta ferramenta sem utilizar todo o equipamento de segurança necessário, incluindo os óculos de segurança aprovados e a máscara respiratória.
- Use luvas à prova de corte e manuseie as lâminas com cuidado em todos os momentos.
- NÃO teste a afiação de uma lâmina com seus dedos (ou com outras partes de seu corpo).

- A pedra esmeril gira no sentido indicado pela seta no alto da unidade, ao lado dos apoios horizontais.
- Certifique-se de que a cuba de água está instalada corretamente e abastecida com água suficiente, antes de iniciar os trabalhos. Verifique o nível de água em intervalos regulares e complete, conforme necessário. NUNCA tente amolar uma lâmina quando a pedra esmeril estiver seca; isso poderá ser perigoso.
- Certifique-se de que a superfície da pedra esmeril está uniforme e nivelada com a precisão requerida pela tarefa.
- Verifique se a pedra esmeril gira livremente, antes de cada utilização.
- Deixe pedras novas girarem sempre alguns minutos livremente, antes de usá-las. Fique em um dos lados da máquina, quando começar a usá-la.

Acionamento e desligamento

1. Certifique-se de que o interruptor On/Off (Liga/Desliga) (4) está na posição OFF (0).
2. Conecte a unidade na energia elétrica.
3. Para ligar, posicione o interruptor liga/desliga na posição ON (I)
4. Para desligar, posicione o interruptor liga/desliga na posição OFF (0)
5. Desconecte o dispositivo da energia elétrica, caso seja interrompido e quando concluir o trabalho.

Amolação de uma lâmina

- Encoste a lâmina na pedra esmeril com uma pressão uniforme.
- Deslize a guia angular para a frente e para trás, ao longo do braço de suporte, para garantir um esmerilamento uniforme da lâmina e o desgaste uniforme da pedra.
- Não exerça pressão excessiva. Uma pressão leve é tudo o que é necessário no esmerilamento.

Amolação sem a guia esquadro

- Se a peça de trabalho for muito grande para os apoios da guia, você poderá instalar o braço de suporte (11) e apoiar a peça no braço, com a borda apontada para longe de você. Isto ajudará a manter a lâmina no ângulo requerido.
- Deslize a lâmina para a frente e para trás, sobre a pedra esmeril, para garantir um esmerilamento uniforme da lâmina e o desgaste uniforme da pedra.

Nota: Você encontrará disponíveis à venda na Triton uma Extensão para o braço de suporte (TWSAE) e vários outras guias para ferramentas específicas, como por exemplo, a guia para faca longa (TWSLKJ). Ao usar esta máquina, recomenda-se fortemente que você use sempre uma guia específica para ferramenta que vai amolar.

Amolação de uma lâmina

- Após a amolação, o uso do disco esmeril de couro, remove as rebarbas e dá uma borda afiada e lisa à lâmina.

AVISO: Ao amolar uma lâmina, faça-o sempre no sentido de rotação do disco esmeril. NUNCA amole contra o sentido de rotação do disco esmeril.

1. Certifique-se que a máquina está desconectada da energia elétrica, antes de ajustá-la.
2. Ajuste o braço de suporte e a guia conforme mostrado na Fig. 3. Use uma guia angular para verificar se o ângulo da lâmina está correto.
3. Aplique uma boa quantidade de pasta de polimento (15) diretamente sobre o disco esmeril de couro (1). Durante a amolação, o composto será distribuído uniformemente sobre o disco.
4. Ligue a máquina e mova a lâmina sobre a face do disco esmeril, garantindo que pelo menos metade da largura do disco permanece sempre em contato com a lâmina.
5. Deixe que o disco esmeril faça seu trabalho. Não aplique força excessiva.
6. Como no caso do esmerilamento, mova a guia para a frente e para trás, ao longo do braço de suporte, para garantir uma amolação e desgaste de disco uniformes.
7. NÃO amole sem pasta de polimento. Caso esteja amolando várias lâminas, poderá ser necessário aplicar pasta de polimento várias vezes. Desligue a máquina e retire a lâmina, antes de aplicar a pasta de polimento.

Amolação sem a guia esquadro

- Se a peça de trabalho for muito grande para os apoios da guia, você poderá instalar o braço de suporte (11) e apoiar a peça no braço, com a borda apontada para longe de você. Isto ajudará a manter a lâmina no ângulo requerido.
- Mova a lâmina para a frente e para trás, ao longo do disco, para garantir um polimento uniforme.

Remoção de marcas de fabricação

- Os processos de fabricação algumas vezes deixam as lâminas com marcas na superfície da seção transversal (ou face) da lâmina.
- Você poderá remover tais marcas esmerilando a face marcada contra a face lateral da pedra esmeril.
- Desloque a face da lâmina lentamente contra a face da pedra esmeril. Não use muita força, e evite que seus dedos entrem em contato com a pedra.
- Execute este procedimento primeiro, antes de amolar a lâmina.

Conclusão do trabalho

1. Desengate o sistema de acionamento, soltando o botão de ajuste de torque (10). Isto ajudará a manter a forma correta do disco de acionamento.
2. Esvazie a cuba de água

AVISO: NUNCA deixe a pedra esmeril mergulhada na água.

Acessórios

- A Triton tem à disposição uma lista extensa de acessórios, incluindo várias guias especializadas, concebidas para ferramentas específicas.
- Guia para ferramenta de esculpir (TWSCTJ)
- Guia para talhadeira de torneamento (TWSGTJ)
- Guia para tesoura (TWSSTJ)
- Guia para faca longa (TWSLKJ)
- Guia plana curvada (TWSPCJ)
- Guia de borda reta (TWSSEJ)
- Extensão de braço de suporte (TWSAE)
- Descanso de ferramenta (TWSSTR)
- Guia de ajuste (TWSGAJ)
- Aferidor de pedra (TWSSTG)
- Desempenador diamante (TWSDDT)
- Capa da máquina (TWSWSC)
- Polidor de metais (TWSMP)
- A Triton tem à venda discos abrasivos para esmerilamento e amolação; Você poderá obter as peças originais Triton pelo site: toolsparesonline.com

Manutenção

Inspeção geral

- Verifique regularmente se todos os parafusos de montagem estão apertados. Eles podem se soltar com o tempo devido à vibração.
- Inspeccione o cabo de energia da ferramenta, antes de cada utilização, em busca de desgaste ou danos. Os reparos devem ser realizados por um Centro de Serviços Autorizado pelo Triton. E isto também se aplica aos cabos de alimentação elétrica da ferramenta.

Limpeza

- Mantenha sua ferramenta limpa o tempo todo. A sujeira e o pó produzem desgaste acelerado das peças internas e encurtam a vida útil da ferramenta. Limpe o corpo de sua ferramenta com uma escova macia ou pano seco. Se houver ar comprimido disponível, use-o para soprar a sujeira nas fendas de ventilação.

Manutenção da pedra esmeril

- Não use uma pedra esmeril que tenha recebido um impacto, especialmente na lateral.
- Troque as pedras trincadas, ou com suspeita de trincas, imediatamente.
- Mantenha a superfície de esmerilamento uniforme. Use o desempenador diamante TWSDDT (vendida separadamente) para restaurar a superfície da pedra esmeril, quando se tornar irregular ou começar a apresentar sinais de desgaste.
- Consulte 'Instalação da pedra esmeril e cuba de água' para obter orientações sobre como instalar uma pedra.

Nota: O eixo possui uma rosca invertida: gire no sentido horário para soltar, e no sentido anti-horário para apertar.

Substituição do disco esmeril de couro

Caso o disco esmeril de couro (1) ficar gasto ou se rasgar, deverá ser substituído:

1. Desaparafuse e deixe de lado o botão de trava (3)
2. Remova o disco esmeril gasto do eixo, e instale o disco novo em seu lugar.
3. Reinstale o botão de trava e aperte.

Nota: Aperte apenas à mão.

Armazenamento

- SEMPRE esvazie a cuba de água, limpe a máquina e a cubra ao armazená-la.
- NUNCA guarde a máquina com a pedra esmeril molhada ou úmida. Assegure-se SEMPRE de que a pedra secou completamente, antes de cobrir a máquina e armazená-la por longos períodos.
- Guarde esta ferramenta com cuidado, em um lugar firme e seco, fora do alcance de crianças.

Descarte

Cumpra sempre as leis nacionais ao descartar ferramentas elétricas que não funcionam mais e cujo reparo não é mais viável.

- Não descarte ferramentas elétricas, ou outros equipamentos elétricos e eletrônicos (WEEE) no lixo doméstico.
- Contate a autoridade local de eliminação de resíduos para saber o modo correto de descartar ferramentas elétricas.

Garantia

Para registrar sua garantia, visite nosso site em www.tritontools.com e cadastre seus dados.

Seus dados serão incluídos em nossa lista de endereços (a menos que indicado de outro modo) para que você receba informações sobre lançamentos futuros. Os dados que nos fornecer não serão repassadas a terceiros.

Registro de compra

Data da compra: ___/___/___

Modelo: TWSS10 Guarde sua nota fiscal como prova de compra.

Declaração de conformidade CE

Os abaixo assinados: Mr. Darrell Morris

Sob autorização de: Triton Tools

Declara que :

Código de identificação: 949257

Descrição: Esmeril

Está em conformidade com as seguintes diretivas e padrões:

- Diretiva de Maquinário 2006/42/EC
- Diretiva de Baixa Tensão 2006/95/EC
- Diretiva de EMC 2004/108/EC
- Diretiva de RoHS 2011/65/EU
- EN 61029-1:2009+A11:2010
- EN 61000-3-2:2006+A1:2009+A2:2009
- EN61000-3-3: 2013
- EN 55014-1:2006/A1:2009/A2:2011
- EN 55014-2: 1997/A1:2001/A2:2008
- EN 50581:2012

A Triton Precision Power Tools garante ao comprador deste produto que se qualquer peça estiver comprovadamente defeituosa devido a falhas de material ou mão de obra durante os próximos 3 anos a partir da data da compra original, Triton irá reparar ou, a seu critério, substituir a peça defeituosa sem custo.

Esta garantia não se aplica ao uso comercial nem se estende ao desgaste normal ou a danos decorrentes de acidente, abuso ou uso indevido.

* Registre-se online dentro de 30 dias após a compra.

Termos e condições aplicáveis.

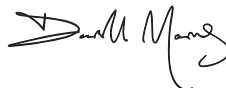
Isto não afeta seus direitos legais.

Órgão notificado: Intertek

A documentação técnica é mantida por: Triton Tools

Data: 04/03/2015

Assinatura:



Mr Darrell Morris

Diretor Geral

Nome e endereço do fabricante:

Powerbox International Limited, Company No. 06897059. Registered address: Central House, Church Street, Yeovil, Somerset BA20 1HH, United Kingdom.

Tłumaczenie oryginalnej instrukcji

Dziękujemy za zakup narzędzia marki Triton. Zapoznaj się z niniejszymi instrukcjami: zawierają one informacje niezbędne dla bezpiecznej i wydajnej obsługi produktu. Produkt posiada szereg unikalnych funkcji, dlatego też, nawet, jeśli jesteś zaznajomiony z podobnymi produktami, przeczytanie instrukcji obsługi umożliwi Ci pełne wykorzystanie tego wyjątkowego projektu. Przechowuj niniejsze instrukcje w zasięgu ręki i upewnij się, że użytkownicy narzędzia przeczytali i w pełni zrozumieli wszystkie zalecenia.

Opis symboli



Należy nosić środki ochrony słuchu
Należy nosić okulary ochronne
Należy nosić środki ochrony dróg oddechowych
Należy używać kasku ochronnego



Należy w całości przeczytać instrukcję obsługi



Urządzenie zgodne z odpowiednimi przepisami i normami bezpieczeństwa (tylko dla modelu z UE)



Uwaga!



Konstrukcja klasy I (ziemienie ochronne)



Tylko do użytku w pomieszczeniach!

Ochrona środowiska

Nie należy wyrzucać zużytych produktów elektrycznych wraz z odpadami komunalnymi. Jeśli jest to możliwe, należy przekazać produkty do punktu recyklingu. W celu uzyskania wskazówek dotyczących recyklingu należy skontaktować się z władzami lokalnymi lub sprzedawcą.



UWAGA: Produkt ten jest ciężki, dwie osoby są wymagane do montażu urządzenia.

Specification

Model No:	TWSS10
Rating:	220V - 240V~, 50/60Hz, 120W
Napęd:	Silnik indukcyjny
Prędkość bez obciążenia:	125 min ⁻¹
Kamień ostrzący:	Ø 250 x 50 mm
Ściernica:	Ø 230 x 30 mm
Średnica otworu:	Ø 12 mm
Długość przewodu zasilania:	2 m
Klasa ochrony:	
Wymiary (Dł.x Wys. x Szer.):	345 x 370 x 270 mm
Waga:	14,5 kg
Sound Pressure L _{PA} :	86,2dB(A)
Sound Power L _{WA} :	99,2dB(A)
Uncertainty K:	3dB

OSTRZEŻENIE: Jeżeli poziom hałasu przekracza 85dB(A) należy zawsze stosować środki ochrony słuchu oraz, jeśli to konieczne, ograniczyć czas narażenia słuchu na nadmierny hałas. Jeśli poziom hałasu powoduje dyskomfort, nawet w przypadku zastosowania środków ochrony słuchu, niezwłocznie przestań korzystać z narzędzia i sprawdź czy środek ochrony słuchu jest prawidłowo zamontowany i zapewnia odpowiedni poziom tłumienia dźwięku w odniesieniu do poziomu hałasu wytwarzanego przez narzędzie.

OSTRZEŻENIE: Narażenie użytkownika na wibracje narzędzia może spowodować utratę zmysłu dotyku, drętwienie, mrowienie i zmniejszenie zdolności uchwytu. Długotrwałe narażenie może prowadzić do stanu przewlekłego. Jeśli jest to konieczne, ogranicz czas narażenia na wibracje i stosuj rękawice antywibracyjne. Nie korzystaj z urządzenia w trybie ręcznym w temperaturze niższej niż normalna komfortowa temperatura otoczenia, ponieważ zwiększy to efekt wywołany przez wibracje. Skorzystaj z wartości liczbowych podanych w specyfikacji dotyczącej wibracji, aby obliczyć czas trwania i częstotliwość pracy z narzędziem.

Poziom hałas i drgań w specyfikacji określone są zgodnie z normą EN60745 lub podobnymi normami międzynarodowymi. Wartości te reprezentują korzystanie z urządzenia w normalnych warunkach roboczych. Niedbała konserwacja, nieprawidłowy montaż lub nieprawidłowe użytkowanie urządzenia mogą spowodować wzrost poziomu hałasu oraz wibracji. www.osha.europa.eu dostarcza informacji na temat poziomów hałasu i wibracji w środowisku pracy, które mogą być przydatne dla użytkowników prywatnych korzystających z urządzenia przez długi czas.

Opólne instrukcje dotyczłce bezpieczeñstwa uŹytkowania elektronarzędzia

OSTRZEŻENIE! Zawsze należy się stosować do podstawowych zasad korzystania z elektronarzędzi (w tym informacji na temat bezpieczeństwa ujętych w niniejszej instrukcji) podczas ich użytkowania dla zmniejszenia ryzyka pożaru, porażenia prądem obrażeń ciała. Należy przeczytać wszystkie instrukcje przed rozpoczęciem pracy oraz zachować ją na przyszłość.

OSTRZEŻENIE: Urządzenie nie jest przeznaczone do użytkowania przez osoby (w tym dzieci) o ograniczonej sprawności fizycznej lub umysłowej, lub o braku doświadczenia i wiedzy, chyba, że będą one nadzorowane lub zostaną poinstruowane na temat korzystania z urządzenia przez osobę odpowiedzialną za ich bezpieczeństwo. Należy pilnować, aby dzieci nie wykorzystywały urządzenia, jako zabawki.

OSTRZEŻENIE: Należy używać elektronarzędzia, akcesoriów oraz innych przyrządów zgodnie z tą instrukcją, biorąc pod uwagę warunki pracy oraz rodzaj pracy, który ma być wykonywany. Korzystanie z elektronarzędzia niezgodnie z ich przeznaczeniem może doprowadzić do niebezpiecznych sytuacji.

Termin „elektronarzędzie” odnosi się do urządzenia zasilanego sieciąwo (przewodowego) lub urządzenia zasilanego za pomocą baterii (bezprzewodowego).

1 - Utrzymanie miejsca pracy w czystości - Brak porządku sprzyja wypadkom

2 - Przemysłany obszar pracy

- Nie wystawiać urządzeń na deszcz
- Nie korzystać z narzędzi w miejscach wilgotnych i mokrych
- Miejsce pracy powinno być dobrze oświetlone
- Nie używać narzędzi w obecności cieczy palnych lub gazów

3 - Ochrona przed porażeniem prądem elektrycznym - Należy unikać kontaktu elementów uziemionych (jak np. grzejniki, kuchenki, lodówki)

4 - Ochrona osób postronnych - Nie wolno pozwolić osobom postronnym zwłaszcza dzieciom, na korzystanie z narzędzia, dotykaniu przedłużacza, ani zbliżanie się do miejsca pracy.

5 - Przechowywanie nieużywanych urządzeń - Podczas niekorzystania z narzędzi, należy je przechowywać w suchym i bezpiecznym miejscu z dala od dzieci

6 - Nie przeciążanie urządzeń - Zaleca się pracę w tempie dla lepszej eksploatacji i bezpieczeństwa pracy narzędzi.

7 - Korzystanie z odpowiednich narzędzi - Nie wolno używać drobnych narzędzi do dużych prac, ani używać narzędzi nieprzeznaczonych do danych celów, np. korzystania z piły tarczowej do cięcia gałęzi lub pni

8 - Odpowiedni ubiór

- Nie należy zakładać do pracy z elektronarzędziem luźnej odzieży ani biżuterii
- Należy nosić odpowiednie obuwie podczas pracy na zewnątrz.
- Nosić osłonę ochronną na długie włosy

9 - Korzystanie z środków ochrony

- Use safety glasses Należy nosić okulary ochronne
- Należy nosić środki ochrony dróg oddechowych

OSTRZEŻENIE: Nie noszenie odpowiednich środków ochrony może spowodować uszkodzenie ciała bądź doprowadzić do urazu.

10 - Podłączenie system ssącego - Jeśli narzędzie jest wyposażone w króciec ssący do odsysania pyłu, należy się upewnić, że jest przyłączone i prawidłowo zamocowane do system ssącego

11 - Nie wolno ciągnąć przewodu zasilającego - Nigdy nie należy szarpać przewodu zasilającego, w celu odłączenia go od gniazda. Należy utrzymywać go z dala od ciepła, oleju i ostrych krawędzi. Uszkodzony bądź splecione przewód zwiększa ryzyko porażenia prądem.

12 - Asekuracja - Kiedy jest to możliwe należy użyć zacisków bądź imadła, zwiększa to komfort i bezpieczeństwo operatora.

13 - Nie należy się wychylać - Należy utrzymywać balans i równowagę ciała podczas pracy

14 - Konserwacja narzędzi

- Należy utrzymywać narzędzie w czystości i dobrze naostrzone. Zadbane narzędzia tnące z ostrymi krawędziami tnącymi rzadziej się zacinają i łatwiej nimi sterować
- Postępowanie zgodne z instrukcjami smarowania i wymiany akcesoriów
- Należy systematycznie dokonywać kontroli przewodów zasilających w razie jakichkolwiek uszkodzeń należy je naprawić w autoryzowanym serwisie
- Należy systematycznie dokonywać kontroli przewodów przedłużających i wymienić w razie uszkodzenia

- Należy utrzymywać uchwyty w czystości

OSTRZEŻENIE: Wiele wypadków została spowodowana przez niewłaściwą ich konserwację.

15 - Odłączyć narzędzie z zasilania - Podczas niekorzystania z elektronarzędzia, przed oddaniem do naprawy, podczas wymiany akcesoriów, ostrzy i innych przyrządów zawsze należy odłączyć elektronarzędzie od zasilania.

OSTRZEŻENIE: Korzystanie z akcesoriów i innego wyposażenia niezalecanego przez producenta może spowodować ryzyko powstania obrażeń

16 - Usunięcie kluczy regulacyjnych - Przed włączeniem zasilania zawsze należy się upewnić o usunięciu kluczy z urządzenia.

17 - Unikanie przypadkowego włączenia - Zawsze należy się upewnić, że przełącznik zasilania jest w pozycji "off" podczas podłączenia do gniazda sieciowego lub włożeniu akumulatora, bądź podczas podnoszenia lub przenoszenia elektronarzędzia

OSTRZEŻENIE: Niezamierzony uruchomienie urządzenia może spowodować poważne obrażenia.

18 - Używanie przedłużaczy na zewnątrz tylko do tego przeznaczonech - Podczas korzystania z elektronarzędzia na zewnątrz należy używać przedłużaczy przeznaczonych specjalnie do stosowania na dworze, co zmniejsza ryzyko porażenia prądem

19 - Zachowanie czujności

- Należy uważać na to się robi, nie wolno korzystać z elektronarzędzia, gdy jest się zmęczonym
- Nie wolno korzystać z urządzenia będąc pod wpływem środków odurzających bądź leków

OSTRZEŻENIE: Chwila nieuwagi podczas użytkowania elektronarzędzia może spowodować poważne obrażenia ciała.

20 - Sprawdzanie uszkodzonych części

- Przed dalszym korzystaniem z urządzenia należy się upewnić o poprawności ich działania
- Należy sprawdzić ustawienie ruchomych części, ich oprawy, pęknięcie montażu oraz wszelkich innych warunków, które mogą mieć wpływ na jego działanie
- Osłona lub inne części, które zostały uszkodzone powinny zostać naprawione lub wymienione przez autoryzowany serwis, chyba, że zaznaczono inaczej w niniejszej instrukcji
- Uszkodzone przełączniki należy wymienić w autoryzowanym centrum serwisowym

OSTRZEŻENIE: Nie wolno korzystać z urządzenia, jeśli przełącznik on/off nie działa prawidłowo. Przełącznik musi zostać naprawiony przed dalszym użyciem narzędzia.

21 - Naprawa urządzenia przez wykwalifikowaną osobę - Niniejsze elektronarzędzie jest zgodne z odpowiednimi normami i zasadami bezpieczeństwa. Naprawa powinna mieć miejsce tylko u wykwalifikowanej osoby, w przeciwnym razie może to spowodować niebezpieczeństwo podczas użytkowania

OSTRZEŻENIE: Podczas serwisowania należy używać tylko identycznych części zamiennych.

OSTRZEŻENIE: Jeśli przewód zasilający jest uszkodzony musi zostać wymieniony przez producenta lub autoryzowane centrum serwisowe.

22 - Dopuszalne wtyczki zasilające do gniazda sieciowego - Nigdy nie wolno modyfikować wtyczki w jakikolwiek sposób, ani stosować żadnych przejściówek z uziemieniem (uziemionych elektronarzędzi) . Oryginalne i pasujące wtyczki zmniejszają ryzyko porażenia prądem .

23 - Podczas korzystania z urządzenia na zewnątrz należy korzystać z wyłącznika różnicoprądowego (RCD) - Korzystaj z wyłącznika RCD co zmniejszy porażenie prądem

UWAGA: Określenie "wyłącznika RCD" może zostać zastąpione przez termin "obwód doziemny" (GFCI) lub wyłącznik różnicowy (ELCB)

UWAGA: W przypadku korzystania z urządzenia w Australii lub Nowej Zelandii, zalecane jest zasilanie urządzenia TYLKO z wykorzystaniem wyłącznika różnicowoprądowego (RCD) o znamionowym prądzie różnicowym nieprzekraczającym 30 Ma

OSTRZEŻENIA. Przed podłączeniem narzędzia do źródła zasilania (gniazdka zasilania wyłącznika sieciowego, sieci itp.) należy upewnić się, że napięcie zasilania jest takie samo, jak podano na tabliczce znamionowej urządzenia. Źródło zasilania o napięciu większym niż napięcie określone dla narzędzia może spowodować poważne obrażenia użytkownika oraz uszkodzenie narzędzia. W przypadku wątpliwości nie podłączaj urządzenia do danego źródła zasilania. Korzystanie ze źródła zasilania o napięciu mniejszym niż napięcie określone na tabliczce znamionowej jest szkodliwe dla silnika.

Wtyczki spolaryzowane (tylko Dla Ameryki Północnej), aby zmniejszyć ryzyko porażenia prądem, niniejsze urządzenie posiada spolaryzowane wtyczki (jeden bolec jest szerszy od drugiego). Wtyczka będzie pasować do spolaryzowanego gniazdka sieciowego, jeśli nie pasuje należy odwrócić wtyczkę, jeśli nadal nie pasuje należy się skontaktować z wykwalifikowanym elektrykiem, aby zainstalować odpowiednie gniazdko, gdyż nie wolno zmieniać wtyczki w jakikolwiek sposób.

Bezpieczeństwo korzystania z ostrzałki wodnej wolnoobrotowej



OSTRZEŻENIE!

- Trzymaj elektronarzędzia za izolowane uchwyty, podczas pracy elektronarzędzie może się natknąć i przeciąć ukryty przewód w ścianie, bądź własny przewód zasilania. Akcesoria tnące mające kontakt z przewodami pod napięciem, sprawiają, że metalowe elementy stają się przewodnikami prądu i grożą porażeniem prądem.
- Maszyna posiada konstrukcję klasy I (uziemiene ochronne) i jest wyposażona w 3-rdzeniowy przewód z wtyczką. Jeśli przewód, bądź wtyczka zostały uszkodzone, produkt powinien zostać naprawiony przez autoryzowane Centrum Serwisowe, aby uniknąć wszelkiego ryzyka.
- Zaleca się aby narzędzie było zasilane przez wyłącznik różnoprądowy (RCD) mający wartość resztkową działania nie przekraczającą 30 mA, bądź mniej.

- a) Upewnij się, że obwody elektryczne spełniają wymogi uzziemienia urządzenia. Nie wolno podłączać urządzenia do obwodów elektrycznych bez gniazdka z uzziemieniem lub bez wyłącznika lub bezpieczników. W przypadku wątpliwości dotyczących bezpiecznego podłączenia urządzenia skonsultuj się z wykwalifikowanym specjalistą. Nieprawidłowe lub uszkodzone połączenia elektryczne mogą stanowić przyczynę porażenia prądem, pożaru i uszkodzenia urządzenia.
- b) Należy stosować odpowiednie środki ochrony osobistej, w tym odpowiednie gogle i maski przeciwpyłowe. NIE WOLNO zakładać luźnej odzieży, biżuterii, należy związywać długie włosy. NIE WOLNO jeść, pić i palić papierosów w obszarze roboczym. Nie wolno zezwalać dzieciom na przebywanie w pobliżu urządzenia.
- c) Urządzenie zostało zaprojektowane w celu ostrzenia narzędzi oraz zwykłych noży kuchennych. Nie należy stosować go do ostrzenia innych przedmiotów, lub innych materiałów niestosowanych w ostrzach narzędziowych.
- d) Ostrzenie może być przeprowadzane wyłącznie przez osoby zaznajomione z procedurami ostrzenia, niezbędnymi technikami oraz związanymi z nimi zagrożeniami. Niniejszy podręcznik opisuje jedynie ogólne sposoby użytkowania urządzenia i nie może zastąpić formalnego wykształcenia w zakresie obróbki metali i ostrzenia narzędzi lub praktyki.
- e) W przypadku pojawienia się wątpliwości dotyczących użytkowania urządzenia w celu bezpiecznego ostrzenia narzędzi zgodnie z zasadami i przepisami, PRZERWIJ korzystanie z urządzenia.
- f) Należy ZAWSZE przestrzegać wytycznych producenta narzędzia dotyczących ostrzenia i konserwacji. Jeśli wytyczne te nie są jasne, należy zwrócić narzędzie do producenta w celu naostrzenia.
- g) NIGDY nie ostrz ostrzy, które nie powinny być ostrzone. Niektóre ostrza (np. ostrza elektronarzędzi) muszą być wymieniane po stopieniu, zużyciu lub w przypadku uszkodzenia i nie należy ostrzyć ich ponownie lub stosować ponownie.

- h) Niektóre ostrza narzędzi ręcznych lub elektronarzędzi posiadają skomplikowane kształty. Jeśli ostrzenie takiego ostrza jest dozwolone, należy ostrzyć je jedynie z zachowaniem oryginalnego kształtu. NIE WOLNO zmieniać oryginalnych parametrów ostrzy. W przypadku wątpliwości dotyczących zachowania parametrów ostrzy należy przekazać je od ostrzenia producentowi lub wyszkolonemu specjalistynie.
- i) Maszyny do obróbki metalu są potencjalnie niebezpieczne, jeśli nie są wykorzystywane prawidłowo. Należy ZAWSZE stosować się do ogólnej przyjętych zasad i procedur w zakresie działania maszyn do obróbki metalu oraz wykorzystania narzędzi ręcznych.
- j) Należy zawsze stosować PRAWIDŁOWE akcesoria do ostrzenia powszechnego ostrzy. NIE wolno zmieniać akcesoriów lub uchwytów mocujących. Nie wolno stosować akcesoriów skonstruowanych samodzielnie lub modyfikować urządzenia. Urządzenie to może być nieodpowiednie do danego zadania, jeżeli akcesoria zaprojektowane do konkretnych zadań ostrzenia są niedostępne. NIE WOLNO ostrzyć narzędzi z wolnej ręki.
- k) Przed każdym użyciem dokładnie sprawdź urządzenie, tarcze, koła i akcesoria. Korzystanie z uszkodzonych kół ściernych jest BARDZO niebezpieczne i może powodować poważne obrażenia operatora i osób znajdujących się w pobliżu urządzenia.
- l) Koła ściernie muszą być dobrze utrzymane i posiadać RÓWNA powierzchnię ścierną. W przypadku, gdy powierzchnia wykazuje nierównomierne zużycie, należy wyrównać ją za pomocą oselki lub specjalnego urządzenia do obciążania ściernic.
- m) Upewnij się, że obwody elektryczne spełniają wymogi uzziemienia urządzenia. Nie wolno podłączać urządzenia do obwodów elektrycznych bez gniazdka z uzziemieniem lub bez wyłącznika lub bezpieczników. W przypadku wątpliwości dotyczących bezpiecznego podłączenia urządzenia skonsultuj się z wykwalifikowanym specjalistą. Nieprawidłowe lub uszkodzone połączenia elektryczne mogą stanowić przyczynę porażenia prądem, pożaru i uszkodzenia urządzenia.

Представление продукта

1. Ściernica skórzana
2. Pionowe uchwyty ramienia wspornikowego
3. Pokrętko blokujące
4. Przełącznik ON/OFF (Włączony/Wyłączony)
5. Koryto na wodę
6. Kamień szlifierski
7. Podkładka metalowa (2 szt.)
8. Nakrętka blokująca
9. Poziome uchwyty ramienia wspornikowego
10. Pokrętko regulacji momentu obrotowego

Akcesoria załączone do zestawu:

11. Ramię wspornikowe
12. Regulator wysokości ramienia wspornikowego
13. Uchwyt do ostrzy kwadratowych
14. Oselka
15. Pasta osekłowa
16. Klucz 19mm
17. Kątomierz

Zastosowanie zgodne z przeznaczeniem

Urządzenie przeznaczone do wolnego ostrzenia na makro oraz wygładzania różnorodnych urządzeń i ostrzy z wykorzystaniem odpowiednich uchwytów mocujących (opcjonalnie).

Rozpakowanie narzędzia

- Ostrożnie rozpakuj i sprawdź narzędzie. Zapoznaj się ze wszystkimi mechanizmami i funkcjami.
- Upewnij się, że narzędzie zawiera wszystkie części i są one w dobrym stanie. Jeśli brakuje pewnych części lub są one uszkodzone, należy uzupełnić lub wymienić je przed rozpoczęciem korzystania z narzędzia.

Przed eksploatacją

Mocowanie kamienia szlifierskiego i koryta na wodę

1. Umieść podkładkę metalową (7) na wrzecionie, tak aby jej profilowanie było odwrócone od korpusu urządzenia.
2. Luźno nałóż kamień szlifierski (6) na wrzeciono, tak, aby strona posiadająca zagłębienie była odwrócona od korpusu urządzenia (jak przedstawiono na ilustracji).
3. Zatknij koryto na wodę (5) w odpowiedniej pozycji. Umieść kamień szlifierski w odpowiedniej pozycji w odniesieniu do jego rozmiaru, aby upewnić się, że obraca się on w sposób swobodny i jednocześnie sięga poniżej maksymalnego poziomu wody (oznaczonego na korycie).
4. Umieść drugą podkładkę metalową (7) na wrzecionie, tak aby jej profilowanie zwrócone było w stronę kamienia szlifierskiego.
5. Nałóż nakrętkę blokującą (8). Mocno dokręć ją za pomocą klucza (16)

Uwaga: Wrzeciono posiada gwint odwrócony, należy dokręcać nakrętkę w lewo.

6. Kilkakrotnie ręcznie obróć kamień szlifierski, aby upewnić się, że porusza się on w sposób swobodny i prawidłowy.

Ściernica skórzana

1. Urządzenie wyposażone jest w ściernicę skórzaną (1).
2. Zanim rozpoczniesz korzystanie z urządzenia upewnij się, że ściernica jest odpowiednio zamocowana.
3. Przekręć pokrętko blokujące (3) w prawo w celu dokręcenia elementu.

Uwaga: Należy dokręcać ręcznie.

Ustawianie urządzenia

- Zainstaluj urządzenie na stabilnym podłożu, tak aby wszystkie cztery nóżki zostały odpowiednio umieszczone na powierzchni.

Uwaga: Urządzenie wyposażone jest w gumowe stopki zmniejszające wibracje. Umieść je na powierzchni roboczej, która nie powoduje lub nie zwiększa drgań.

- Upewnij się, że obszar roboczy jest odpowiednio oświetlony, a wokół urządzenia jest wystarczająco dużo miejsca i nie występują żadne przeszkody.

Napełnianie koryta na wodę

1. Napełnij koryto na wodę (5) czystą, zimną wodą, aż do oznaczenia „MAX WATER LEVEL” (Maksymalny poziom wody) znajdującego się na ściance zbiornika.
2. Podczas korzystania z urządzenia upewnij się, że w korycie znajduje się wystarczająca ilość wody umożliwiająca zwilżanie powierzchni kamienia szlifierskiego (6).

Załączanie układu napędowego

1. Dokręć pokrętko regulacji momentu obrotowego (10) kręcąc w prawo, aż do korpusu urządzenia. Spowoduje to załączenie układu napędowego.
2. Po zakończeniu korzystania z narzędzia zawsze poluzuj pokrętko regulacji momentu obrotowego. Pomoże to zachować prawidłowy kształt koła napędowego.

Korzystanie z oseeki

Osełka (14) pozwala na nabeżenie powłoki ścierniej na kamień szlifierski, umożliwiając szlifowanie cienkoziarniste lub gruboziarniste:

W celu szlifowania gruboziarnistego dla usuwania dużej ilości materiału w szybki sposób (np. w celu nadawania kształtu ostrzom):

- Przyłóż szorstką stronę oseeki do kamienia szlifierskiego w celu nadania szorstkości powierzchni szlifierskiej

W celu szlifowania cienkoziarnistego dla ostrzenia ostrzy:

- Przyłóż gładką stronę oseeki do kamienia szlifierskiego w celu wygładzenia powierzchni. Funkcja ta nadaje się idealnie do ostrzenia ostrzy w przygotowaniu do polerowania końcowego krawędzi tnącej na ściernicy skórzanej.

Korzystanie z uchwytu do ostrzy kwadratowych

Uchwyt do ostrzy kwadratowych stosowany jest w połączeniu z ramieniem wspornikowym (11) i kątomierzem (17), w celu ustawienia ostrza pod prawidłowym kątem podczas ostrzenia.

1. Poluzuj pokrętko uchwytu do ostrzy kwadratowych (13).
2. Umieść ostrze w uchwycie w taki sposób, aby krawędź ostrza znajdowała się obok ograniczników końcowych (Zdj. A)
3. Dokręć pokrętko, aby unieruchomić ostrze.

Korzystanie z ramienia wspornikowego

- Ramię wspornikowe (11) może zostać przyłączone w celu szlifowania zgodnie z kierunkiem obrotów kamienia szlifierskiego lub w przeciwnym kierunku.

W celu szlifowania w kierunku przeciwnym do kierunku obrotów koła szlifierskiego:

1. Umieść ramię wspornikowe (11) w uchwytach pionowych (2) (Zdj. B)
- W celu szlifowania w kierunku zgodnym z kierunkiem obrotów koła szlifierskiego:

1. Umieść ramię wspornikowe (11) w uchwytach poziomych (9) (Zdj. C)

OSTRZEŻENIE: Wygladzanie za pomocą ściernicy musi być wykonywane **WYŁĄCZNIE** w kierunku zgodnym z kierunkiem obrotów koła szlifierskiego.

- Szlifowanie w kierunku przeciwnym do kierunku obrotów koła szlifierskiego usuwa większą ilość materiału w szybszy sposób niż szlifowanie zgodnie z kierunkiem obrotów koła.

- Szlifowanie w kierunku zgodnym z kierunkiem obrotów koła szlifierskiego stosowane jest w przypadku ostrzenia precyzyjnego ostrzy niewielkich narzędzi oraz do wygladzania.

- Dokładnie wypróbuj ustawienia dla różnych rodzajów i rozmiarów ostrzy, aby osiągnąć odpowiedni kąt ostrzenia i upewnić się, że ostrze przylega całą krawędzią do powierzchni kamienia szlifierskiego.

- W przypadku ostrzenia ogólnego, umieść ramię wspornikowe w uchwytach pionowych i ostrz ostrze w kierunku przeciwnym do kierunku obrotów kamienia szlifierskiego.

- **NIGDY** nie instaluj ramienia wspornikowego w uchwytach pionowych w przypadku wygladzania na ściernicy skórzanej. Wygladzanie ostrza w kierunku przeciwnym do kierunku obrotów ściernicy spowoduje poważne uszkodzenia koła ściernicy.

Korzystanie z kątomierza

- Kątomierz (17) umożliwia odpowiednie ustawienie ostrza pod odpowiednim kątem w celu ostrzenia.

1. Zamocuj ostrze w uchwycie do ostrzy kwadratowych (13) i umieść ramię wspornikowe w uchwycie.
2. Za pomocą miarki w zewnętrznej części kątomierza zmierz kąt skosu ostrza.
3. Poluzuj pokrętko blokujące kątomierza i dostosuj go tak, aby czarne strzałki zrównały się z prawidłowym oznaczeniem średnicy kamienia szlifierskiego (Zdj. D)
4. Następnie ustaw wskaźnik na żądanej wartości kąta skosu ostrza (według pomiaru wykonanego w kroku 2 powyżej) i dokręć kołnierz blokujący w celu zablokowania (Zdj. E)
5. Nawlecz uchwyt do ostrzy kwadratowych na ramię wspornikowe, tak aby ostrze oparło się na kamieniu szlifierskim.
6. Umieść zakrzywioną stopkę kątomierza na kamieniu szlifierskim oraz płaską część wskaźnika na ostrzu (Zdj. E)
7. Za pomocą regulatora wysokości ramienia wspornikowego (12) dostosuj wysokość ramienia wspornikowego, aż płaska część wskaźnika kątomierza oprze się całkowicie na ostrzu.
8. Kąt ostrzenia ustawiony jest prawidłowo.

Instrukcja obsługi

Ważne uwagi dotyczące bezpieczeństwa:

- Podczas korzystania z narzędzia należy zawsze stosować środki ochrony osobistej, w tym okulary ochronne oraz odpowiednią maskę przeciwpyłową.
- Należy zakładać rękawice odporne na przecięcia oraz obchodzić się z ostrzami z zachowaniem największej ostrożności.
- Nie wolno sprawdzać ostrości ostrza za pomocą palca (lub innej części ciała).
- Kamień szlifierski oraz ściernica obracają się w kierunku oznaczonym strzałką znajdującą się u góry urządzenia, obok uchwytów poziomych.
- Przed rozpoczęciem pracy upewnij się, że koryto na wodę zamocowane jest prawidłowo oraz napełnione wodą w wystarczającym stopniu. Regularnie sprawdzaj poziom wody i uzupełniaj wodę, jeśli jest to konieczne. NIGDY nie ostrz ostrzy na sucho, może to stanowić niebezpieczeństwo.
- Upewnij się, że powierzchnia kamienia szlifierskiego jest równa oraz posiada ziarnistość odpowiednią dla danego zadania.
- Przed każdym uruchomieniem urządzenia upewnij się, że kamień szlifierski obraca się w sposób swobodny.
- W przypadku zainstalowania nowego koła szlifierskiego pozostaw je uruchomione przez minutę przed rozpoczęciem ostrzenia. Podczas uruchamiania stój z boku urządzenia.

Włączanie i wyłączenie

1. Upewnij się, że przełącznik On/Off (Włączony/Wyłączony) (4) znajduje się w pozycji OFF (O).
2. Podłącz narzędzie do źródła zasilania.
3. Aby włączyć urządzenie naciśnij przełącznik On/Off (Włączony/Wyłączony) i ustaw go w pozycji włączonej (I).
4. Aby wyłączyć urządzenie naciśnij przełącznik On/Off (Włączony/Wyłączony) i ustaw go w pozycji wyłączonej (O).
5. W przypadku przerwania lub zakończenia pracy odłącz urządzenie od źródła zasilania.

Ostrzenie ostrza

- Przykładaj ostrze do kamienia szlifierskiego z równomierną siłą nacisku.
- Przesuwaj uchwyt do ostrzy kwadratowych w przód i w tył wzdłuż ramienia wspornikowego, aby zapewnić równomierne szlifowanie ostrza i równomierne zużycie kamienia.
- Nie dociskaj zbyt mocno. Wystarczy jedynie delikatne dociskanie.

Ostrzenie bez zastosowania uchwytu do ostrzy kwadratowych

- Jeśli przedmiot obróbki jest zbyt duży, aby zmontować go w uchwycie, możliwe jest oparcie go na zamontowanym ramieniu wspornikowym, z krawędzią odwróconą od operatora. Pomoże to utrzymać ostrze nieruchomo pod żądanym kątem.
- Przesuwaj ostrze w przód i w tył w poprzek kamienia szlifierskiego, aby zapewnić równomierne szlifowanie ostrza i równomierne zużycie kamienia.

Uwaga: Akcesoria takie jak przedłużenie ramienia wspornikowego (TWSSAE) i wiele uchwytów do poszczególnych narzędzi, np. uchwyt do długich noży (TWSLKI), są dostępne do nabycia u dystrybutorów narzędzi Triton. Podczas ostrzenia za pomocą tego urządzenia zalecane jest stosowanie odpowiednich uchwytów do poszczególnych narzędzi.

Gładzenie ostrza za pomocą ściernicy

- Po zakończeniu ostrzenia usuń zadzioiry i nadaj ostrzu gładką i ostrą krawędź za pomocą ściernicy skórzanej.

OSTRZEŻENIE: Zawsze gładź ostrze w kierunku zgodnym z kierunkiem obrotów koła. NIGDY nie gładź go w kierunku przeciwnym.

1. Podczas ustawiania maszyny upewnij się, że urządzenie jest odłączone od źródła zasilania.
2. Zamocuj ramię wspornikowe (11) i uchwyt, jak pokazano na (Rys C). Za pomocą kątomierza sprawdzaj, czy kąt ostrzenia jest prawidłowy.

3. Nałóż sporą ilość pasty osekowej (15) bezpośrednio na ściernicę skórzaną (1). Podczas wygładzania pasta zostanie rozprowadzona na kole.
4. Włącz urządzenie i przesuwaj ostrze w poprzek powierzchni ściernicy, pamiętając, aby przynajmniej połowa szerokości ściernicy zawsze dotykała ostrza.
5. Zaczekaj aż ściernica zacznie wygładzać ostrze. Nie dociskaj ostrza zbyt mocno.
6. Podobnie jak podczas ostrzenia, przesuwaj uchwyt do ostrzy kwadratowych w przód i w tył wzdłuż ramienia wspornikowego, aby zapewnić równomierne wygładzanie.
7. Nie wygładź ostrza bez zastosowania pasty osekowej. W przypadku wygładzania wielu ostrzy idealna jest końcówka uzupełnienia pasty na kole. Przed uzupełnieniem pasty wyłącz urządzenie i zdejmij ostrze z koła.

Gładzenie bez zastosowania uchwytu do ostrzy kwadratowych

- Jeśli przedmiot obróbki jest zbyt duży, aby zmontować go w uchwycie, możliwe jest oparcie go na zamontowanym ramieniu wspornikowym, z krawędzią odwróconą od operatora. Pomoże to utrzymać ostrze nieruchomo pod żądanym kątem.
- Przesuwaj ostrze w przód i w tył wzdłuż ramienia wspornikowego, aby zapewnić równomierne wygładzanie.

Usuwanie rys produkcyjnych

- W wyniku procesu produkcyjnego na powierzchni ostrza mogą znajdować się rysy.
- Możliwe jest ich usunięcie poprzez przyłożenie powierzchni ostrza do bocznej strony kamienia szlifierskiego.
- Wolno przesuwaj powierzchnię ostrza po bocznej powierzchni kamienia. Nie dociskaj zbyt mocno, nie dotykaj kamienia palcami.
- Wykonaj tę czynność zanim rozpoczniesz ostrzenie.

Wykańczanie obróbki

1. Odłącz układ napędowy luzując pokrętko regulacji momentu obrotowego (10). Pomoże to zachować idealny kształt koła napędowego.
2. Opróżnij koryto na wodę

OSTRZEŻENIE: NIGDY nie pozostawiaj kamienia szlifierskiego w wodzie.

Akcesoria

- Liczne akcesoria, w tym wiele uchwytów do poszczególnych narzędzi, są dostępne do nabycia u dystrybutorów narzędzi Triton.
- Uchwyt do dłut (TWSCTJ)
- Uchwyt do łożabków (TWTSGJ)
- Uchwyt do nożycek (TWSJ)
- Uchwyt do długich noży (TWSLKI)
- Uchwyt do profilowania wypukłości ostrza struga (TWSPCJ)
- Uchwyt do ostrzy prostych (TWSSEJ)
- Przedłużenie ramienia wspornikowego (TWSSAE)
- Podpórka do ostrzenia narzędzi (TWSTR)
- Uchwyt nastawiający (TWSGAJ)
- Osełka (TWSSG)
- Diamentowa głowica do obciążania (TWSDDT)
- Osłona (TWSWSC)
- Pasta do metalu (TSMF)
- Zapasowe koła szlifierskie i ściernice są dostępne u dystrybutorów narzędzi Triton; oryginalne części zamienne Triton są dostępne na stronie internetowej toolsparesonline.com

Czyszczenie i konserwacja

Kontrola ogólna

- Regularnie sprawdzaj, czy wszystkie śruby mocujące są odpowiednio dokręcone. Wibracje mogą powodować ich poluzowanie.

- Sprawdź przewód zasilania narzędzia przed każdym użyciem pod kątem uszkodzeń lub zużycia. Naprawy powinny być przeprowadzane przez autoryzowany punkt serwisowy Triton. Dotyczy to również przedłużaczy stosowanych przy urządzeniu.

Czyszczenie

- Należy zawsze dbać o czystość urządzenia. Brud i kurz powodują szybsze zużycie elementów wewnętrznych narzędzia i skracają okres eksploatacji urządzenia. Należy czyścić korpus narzędzia miękką szczotką lub suchą ścierką. Jeśli to możliwe, przedmuchaj otwory wentylacyjne czystym powietrzem sprężonym.

Konserwacja kamienia szlifierskiego

- Nie używaj kamienia szlifierskiego, który uległ uderzeniu, w szczególności z boku.
- Należy wymienić pęknięty lub podejrzanie wyglądający kamień.
- Dbaj o równość powierzchni szlifującej. Za pomocą diamentowej głowicy do obciążania TWSDDT (niezależona do zestawu) wyrównuj powierzchnie kamienia szlifierskiego, jeśli stała się on nierówna lub wykazuje oznaki zużycia.
- W celu uzyskania wskazówek dotyczących montażu kamienia zapoznaj się z rozdziałem „Montaż kamienia szlifierskiego i koryta na wodę”.

Uwaga: Wrzeczono posiada gwint odwrócony: w celu poluzowania kręć w prawo, w celu dokręcania kręć w lewo.

Wymiana ściernicy skórzanej

Należy wymienić ściernicę skórzaną (1) jeśli ulegnie ona zużyciu lub przerwaniu :

1. Wykręć i zdejmij pokrętko regulacji momentu obrotowego (10)
2. Zdejmij zużyta ściernicę z wrzeczona i załóż nową ściernicę.
3. Włóż i dokręć pokrętko.

Uwaga: Należy dokręcać ręcznie.

Przechowywanie

- ZAWSZE opróżnij koryto na wodę, czyść urządzenie i nakrywaj je w celu przechowywania.
- NIGDY nie odstawiaj urządzenia do przechowania, jeśli kamień szlifierski jest mokry lub wilgotny. ZAWSZE upewnij się, że kamień wysychi całkowicie, zanim nakryjesz i odstawisz urządzenie do przechowania.
- Należy przechowywać narzędzie w bezpiecznym, suchym miejscu niedostępnym dla dzieci.

Utylizacja

Należy zawsze przestrzegać przepisów krajowych dotyczących utylizacji elektronarzędzi, które nie są już funkcjonalne i nie nadają się do naprawy.

- Nie wyrzucaj elektronarzędzi lub innych odpadów elektrycznych i elektronicznych (WEEE) wraz z odpadami komunalnymi.
- Skontaktuj się z władzami lokalnymi zajmującymi się utylizacją odpadów, aby uzyskać informacje na temat prawidłowego sposobu utylizacji elektronarzędzi

Gwarancja

W celu rejestracji gwarancji odwiedź naszą stronę internetową www.tritontools.com i podaj odpowiednia dane. Dane zostaną dodane do naszej listy wysyłkowej (chyba, że wskazano inaczej) w celu przesyłania informacji dotyczących przyszłych produktów. Dostarczone dane nie zostaną udostępnione osobom trzecim.

Protokół zakupu

Data zakupu: ___ / ___ / ___

Model: TWS10 Należy zachować paragon jako dowód zakupu

Deklaracja Zgodności WE

Niżej podpisany: Mr Darrell Morris

upoważniony przez: Triton Tools

Oświadczam, że

Kod identyfikacyjny: 949257

Opis: Ostrzałka wodna wolnoobrotowa

Produkt jest zgodny z następującymi dyrektywami oraz normami:

- Dyrektywa maszynowa 2006/42/EC
- Dyrektywa niskonapięciowa 2006/95/EC
- Dyrektywa kompatybilności elektromagnetycznej 2004/108/EC
- Dyrektywa RoHS 2011/65/EU
- EN 61029-1:2009+A11:2010
- EN 61000-3-2:2006/A1:2009/A2:2009
- EN61000-3-3: 2013
- EN 55014-1:2006/A1:2009/A2:2011
- EN 55014-2: 1997/A1:2001/A2:2008
- EN 50581:2012

Precyzyjne Elektronarzędzia Triton gwarantują nabywcy tego produktu pewność, iż w razie usterki bądź uszkodzenia z powodu wad materiałowych lub jakości wykonania, w ciągu 3 lat od daty zakupu, firma Triton naprawi bądź według własnego uznania bezpłatnie wymieni uszkodzoną część.

Powyższa gwarancja nie pokrywa szkód spowodowanych naturalnym zużyciem, nieprawidłowym użytkowaniem, nieprzeznaczaniem zaleceń obsługi, wypadkami lub wykorzystaniem urządzenia do celów komercyjnych.

* Zarejestruj swój produkt w ciągu 30 dni od daty zakupu.

Obowiązują zasady i warunki użytkowania.

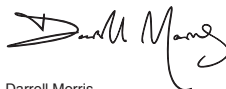
Powyższe postanowienia nie mają wpływu na prawa ustawowe klienta.

Jednostka notyfikowana: Intertek

Dokumentacja techniczna produktu znajduje się w posiadaniu: Triton Tools

Data: 04/03/2015

Podpis:



Darrell Morris

Dyrektor Naczelny

Nazwa i adres producenta:

Powerbox International Limited, zarejestrowany pod numerem 06897059. Adres rejestracyjny firmy : Central House, Church Street, Yeovil, Somerset BA20 1HH, United Kingdom.

Перевод исходных инструкций

Благодарим за выбор инструмента Triton. В этом руководстве содержится информация, необходимая для безопасной и эффективной эксплуатации изделия. Данное изделие отличается некоторыми уникальными особенностями, и даже если вы уже знакомы с аналогичными изделиями, важно внимательно прочитать это руководство и понять содержащиеся в нем инструкции. Убедитесь, что каждый пользователь инструмента ознакомился с руководством и понял его.

Символы и обозначения



Пользоваться средствами защиты органов слуха
Пользоваться средствами защиты органов зрения
Пользоваться средствами защиты органов дыхания
Пользоваться средствами защиты головы



Прочитайте руководство



Соответствует применимым законодательным актам и нормам безопасности. (Только для модели для рынка ЕС)



Осторожно!



Конструкция класса I (защитное заземление)



Использовать только в помещении!



Охрана окружающей среды

Утилизация электротехнических изделий с бытовым мусором запрещена. Такие изделия сдают в пункты утилизации, имеющие специальное оборудование. За рекомендациями по утилизации обращайтесь в местные органы власти или к дилеру.



ВНИМАНИЕ! Данное изделие обладает большой массой. В качестве меры предосторожности рекомендуется, чтобы сборку производили два человека.

Знакомство с изделием

Номер модели:	TWSS10
Питание:	240 В переменного тока, 50/60 Гц, 120 Вт
Привод:	Асинхронный электродвигатель
Частота вращения без нагрузки:	125 об/мин
Шлифовальный круг:	Ø250 x 50 мм
Полировальный круг:	Ø230 x 30 мм
Диаметр посадочного отверстия:	Ø12 мм
Длина электрического шнура:	2 м
Класс защиты:	
Габаритные размеры (Д x В x Ш):	345 x 370 x 270 мм
Масса:	14,5 кг (32 фунта)
Информация по уровню звука	
Уровень звука излучения L_{PA} :	86,2 дБ (А)
Корректированный уровень звуковой мощности L_{WA} :	99,2 дБ(А)
Погрешность К:	3 дБ

ВНИМАНИЕ! Если уровень звука превышает 85 дБ(А), то обязательно пользуйтесь средствами защиты органов слуха. При необходимости ограничивайте продолжительность работы. Если шум вызывает дискомфорт даже при использовании средств защиты, незамедлительно выключите инструмент и убедитесь, что защита надета правильно, а ее звукоизолирующие характеристики соответствуют уровню звука, вырабатываемого инструментом.

ВНИМАНИЕ! Воздействие вибрации инструмента на человека может вызывать потерю чувствительности, онемение, покалывание и снижение способности удерживать предметы. Продолжительное воздействие чревато развитием хронических заболеваний. При необходимости ограничивайте продолжительность работы и пользуйтесь антивибрационными перчатками. Не работайте в ручном режиме, если температура ниже комфортного уровня: в таких условиях вибрация оказывает более выраженное воздействие на организм. Продолжительность и периодичность работы с инструментом можно рассчитать по значениям, которые приведены в разделе «Технические характеристики».

Указанные в характеристиках уровни звука и вибраций получены в соответствии с EN60745 или аналогичными международными стандартами. Значения справедливы для инструмента в нормальном рабочем состоянии, эксплуатируемого в нормальных условиях. Нарушение регламента обслуживания, порядка сборки или эксплуатации инструмента может явиться причиной повышения уровня звука и вибраций. На сайте www.osha.europa.eu представлена информация по уровням звуков и вибраций на рабочем месте, которая может оказаться полезной для пользователей, работающих с инструментом в бытовых условиях в течение продолжительного времени.

Общие правила техники безопасности при работе с электроинструментом

ВНИМАНИЕ! При работе с электроинструментами следует всегда соблюдать базовые меры предосторожности (включая приведенные ниже требования), чтобы уменьшить риск пожара, поражения электрическим током и других травм. Прочитайте все инструкции, прежде чем начинать эксплуатацию изделия, и сохраните инструкции на будущее.

ВНИМАНИЕ! Эксплуатация прибора детьми, лицами с ограниченными физическими или умственными возможностями и лицами, не имеющими достаточного опыта или знаний, разрешается только при условии, что они будут находиться под присмотром ответственного за их безопасность или получат от него необходимые инструкции по работе с прибором. Не оставляйте детей без присмотра и не позволяйте им играть с прибором.

ОСТОРОЖНО! Соблюдайте эти инструкции при эксплуатации электроинструмента, оснастки и режущего инструмента. Учитывайте условия и особенности предстоящей работы. Использование электроинструмента не по назначению может быть опасным.

В разделе, посвященном технике безопасности, термин «электроинструмент» относится как к проводным (работающим от сети), так и к беспроводным (работающим от аккумулятора) инструментам.

1. Следите за чистотой на рабочем месте. Загроможденные участки и верстак - источник травм!
 2. Учитывайте условия окружающей среды.
 - Не подвергайте инструменты воздействию дождя.
 - Не работайте с инструментами в условиях высокой влажности.
 - Следите за освещенностью рабочего места.
 - Не работайте с инструментами в присутствии воспламеняющихся жидкостей или газов.
 3. Защита от поражения электрическим током. Избегайте контакта с заземленными поверхностями (например, трубопроводами, радиаторами, электроплитами, рефрижераторами).
 4. Не пускайте посторонних в рабочую зону. Не позволяйте посторонним лицам (особенно детям), не участвующим в производстве работы, касаться инструмента или шнура питания. Не пускайте их в рабочую зону.
 5. Соблюдайте правила хранения неиспользуемых инструментов. Когда инструмент не используется, он должен храниться в сухом закрытом месте, недоступном для детей.
 6. Не допускайте перегрузки инструмента. Он будет работать лучше и безопаснее в тех режимах, на которые он рассчитан.
 7. Грамотно выбирайте инструмент. Не выполняйте маленьким инструментом те операции, для которых нужен инструмент, предназначенный для тяжелой работы.
 - Не допускайте нецелевого применения инструмента. Например, не следует отрезать ветки деревьев или выполнять раскряжевку циркулярной пилой.
 8. Одевайтесь надлежащим образом.
 - Не надевайте свободную одежду и украшения: они могут попасть в движущиеся детали.
 - Вне помещений рекомендуется работать в подходящей защитной обуви.
 - Длинные волосы следует прятать под защитным головным убором.
 9. Используйте средства защиты.
 - Используйте защитные очки.
 - Используйте респираторы или защитные маски, если во время выполнения операции производится пыль.
- ВНИМАНИЕ!** Отсутствие средств защиты и неподходящая одежда может привести к травме или усилить тяжесть травмы.

10. Подключайте оборудование для вытяжки пыли. Если инструмент оснащен соединением для оборудования для вытяжки и сбора пыли, обязательно подключите это оборудование и пользуйтесь им надлежащим образом.
11. Не допускайте повреждения электрического кабеля. Запрещается дергать за кабель, чтобы отключить его от розетки. Держите кабель подальше от источников тепла, масла и острых кромок. Поврежденный или запутанный кабель увеличивает риск поражения электрическим током.
12. Фиксируйте заготовку. По возможности фиксируйте заготовку струбцинами или тисками. Это гораздо безопаснее, чем держать ее в руках.
13. Не тянитесь за пределы комфортной зоны досягаемости. Твердо стойте на ногах и сохраняйте равновесие.
14. Обслуживайте инструмент.
 - Следите за тем, чтобы режущий инструмент был чистым и острым. Таким инструментом легче управлять, и он менее подвержен заклиниванию в заготовке.
 - Выполняйте инструкции по смазке и замене оснастки.
 - Регулярно осматривайте кабель питания. Если он поврежден, сдайте инструмент в официальный центр обслуживания.
 - Периодически осматривайте удлинители. Поврежденные удлинители подлежат замене.
 - Следите за тем, чтобы рукоятки были сухими и чистыми. Наличие масла и консистентной смазки не допускается.
- ВНИМАНИЕ!** Причиной многих несчастных случаев становится неудовлетворительное обслуживание электроинструмента.
15. Отключайте инструменты от сети. По окончании работы, перед обслуживанием или заменой оснастки (ножей, насадок, резак) отключайте инструмент от источника питания.
- ВНИМАНИЕ!** Использование оснастки или навесного оборудования, не рекомендованного производителем, может привести к травмам.
16. Снимайте регулировочные и гаечные ключи. Возьмите за привычку проверять, сняты ли регулировочные и гаечные ключи, прежде чем включать инструмент.
17. Избегайте случайного пуска. Убедитесь, что выключатель находится в положении «выключено», прежде чем подключать кабель к сети, вставлять аккумулятор, поднимать или переносить инструмент.
- ВНИМАНИЕ!** Случайный пуск может повлечь за собой тяжелые травмы!
18. Используйте удлинители, предназначенные для работы вне помещений. Если вы работаете вне помещений, используйте только специально предназначенные для таких условий удлинители, имеющие соответствующую маркировку. Применение удлинителя, пригодного для эксплуатации вне помещения, снижает риск поражения электрическим током.
19. Будьте внимательны.
 - Следите за тем, что делаете и руководствуйтесь здравым смыслом. Не работайте с инструментом, если вы устали.
 - Запрещается пользоваться электроинструментом, если вы находитесь под действием алкоголя, наркотиков или лекарственных препаратов.
- ВНИМАНИЕ!** Даже кратковременное ослабление внимания во время работы чревато тяжелой травмой.
20. Осматривайте детали на предмет повреждений.
 - Перед началом работы с инструментом следует убедиться, что он работает нормально и в состоянии выполнять свои функции.
 - Следите за тем, чтобы не было биения или заедания движущихся деталей, сломанных деталей или креплений и других неисправностей, способных повлиять на работу инструмента.
 - Если ограждение или любая другая деталь повреждены, следует сдать инструмент в официальный сервисный центр на ремонт или замену детали (если иное не указано в этом руководстве).
 - Неисправные выключатели должен менять только официальный сервисный центр.

ВНИМАНИЕ! Не работайте с инструментом, если выключатель не включается или не выключается. Продолжайте эксплуатацию инструмента только после ремонта выключателя.

21. Ремонт инструмента должен производиться только квалифицированным специалистом. Этот электроинструмент соответствует применимым требованиям безопасности. Ремонт должен производить только квалифицированный специалист. В противном случае инструмент может стать источником серьезной опасности.

ВНИМАНИЕ! При обслуживании используйте только идентичные запчасти.

ВНИМАНИЕ! Если кабель питания поврежден, то его замену должен осуществлять только производитель или официальный сервисный центр.

22. Вилка электроинструмента должна соответствовать розетке. Запрещается вносить какие-либо изменения в конструкцию вилки. Не разрешается подключать заземленный электроинструмент к сети через переходники. Применение стандартных вилок и соответствующих им розеток снижает риск поражения электрическим током.

23. При работе с электроинструментом вне помещений пользуйтесь устройствами защитного отключения (УЗО). Применение УЗО позволит снизить риск поражения электрическим током.

ПРИМЕЧАНИЕ. Термин «устройство защитного отключения» (УЗО) можно заменить термином «выключатель короткого замыкания на землю» или «устройство защиты от токов утечки».

ВНИМАНИЕ! При эксплуатации инструмента на территории Австралии или Новой Зеландии рекомендуется ВСЕГДА включать в цепь питания устройство защитного отключения (УЗО) с номинальным остаточным током 30 мА или меньше.

ВНИМАНИЕ! Перед подключением инструмента к источнику питания (точке подключения, розетке и т.д.) убедитесь, что напряжение питания соответствует значению, указанному на паспортной табличке инструмента. Если напряжение источника питания выше этого значения, то подключение инструмента к такому источнику может привести к серьезным травмам пользователя и выходу инструмента из строя. Если имеются сомнения - не подключайте инструмент. Использование источника питания, напряжение которого ниже номинального напряжения инструмента, может привести к поломке электродвигателя.

Полярные вилки (только для Северной Америки). Чтобы снизить риск поражения электрическим током данное устройство оснащено полярной вилкой (один контакт шире второго). Такую вилку можно вставить в соответствующую розетку только в одном положении. Если вилка не вставляется до конца, переворните ее. Если она все равно не вставляется, обратитесь к квалифицированному электрику, и он установит подходящую розетку. Запрещается вносить какие-либо изменения в конструкцию вилок.

Правила техники безопасности при работе с заточным станком



ВНИМАНИЕ!

- Держите электроинструмент только за изолированные захватные поверхности, так как режущий инструмент может коснуться шнура питания. *Надрезание находящегося под напряжением проводника может привести к тому, что неизолированные металлические детали инструмента тоже окажутся под напряжением. Это чревато поражением электрическим током.*
 - Устройство относится к классу 1 (заземленное) и оборудовано 3-жильным кабелем и 3-контактной вилкой. Во избежание опасности ремонт поврежденного кабеля или вилки может производить только официальный центр обслуживания.
 - Настоятельно рекомендуется включать инструмент через устройство защитного отключения с номинальным остаточным током 30 мА или меньше.
- 1) Пользуйтесь подходящими средствами индивидуальной

защиты (включая защитные очки и средства защиты дыхательных органов). **ЗАПРЕЩАЕТСЯ** работать в свободной одежде! Снимите украшения и подвяжите длинные волосы. **ЗАПРЕЩАЕТСЯ** есть, пить или курить на рабочем участке. Не подпускайте детей к станку.

- 2) Во время работы на станке **ВСЕГДА** сохраняйте равновесие. **ЗАПРЕЩАЕТСЯ** наклоняться над вращающимися кругами или тянуться за пределы комфортной зоны досягаемости. Будьте **ВСЕГДА** готовы к возможной отдаче инструмента. В зависимости от ориентации и направления вращения шлифовального круга, заточиваемый инструмент может или вырвать из рук, или бросить в ваш направлении.
- 3) Этот станок предназначен для заточки режущего инструмента и бытовых ножей. Он не рассчитан ни на выполнение других шлифовальных операций, ни на работу с другими материалами, помимо тех, которые обычно используются для изготовления режущего инструмента.
- 4) Заточка должна выполняться лицами, знакомыми с технологиями, применяемыми методиками и рисками. В руководстве содержится только общее описание порядка эксплуатации станка. Оно не может являться заменой прикладному опыту или планомерному обучению обработке металлов и заточке инструмента.
- 5) **НЕ** работайте на станке, если вы не уверены, что знаете, как выполнять заточку инструмента безопасно и с соблюдением требований всех норм и стандартов.
- 6) **ВСЕГДА** соблюдайте указания производителя режущего инструмента, касающиеся заточки и обслуживания. Если указания вызывают сомнения, сдайте инструмент на заточку производителю.
- 7) **КАТЕГОРИЧЕСКИ ЗАПРЕЩАЕТСЯ** пытаться заточивать инструмент, заточка которого не предусмотрена. Некоторые режущие инструменты (например, ножи электроинструментов) **НЕ** затачиваются. Затупившиеся, изношенные или поврежденные инструменты подлежат замене и не используются повторно.
- 8) Некоторые режущие инструменты (для ручных и электрических инструментов) отличаются сложной геометрией. Если такой инструмент можно затачивать, то его исходная геометрия должна восстанавливаться в обязательном порядке. **КАТЕГОРИЧЕСКИ** запрещается изменять геометрию режущего инструмента! Если вы не уверены, что знаете, как добиться этого, сдайте инструмент на заточку производителю или квалифицированному специалисту.
- 9) **Металлорежущие станки опасны при неправильном обращении!** **ВСЕГДА** руководствуйтесь общепринятыми правилами и методиками эксплуатации металлорежущих станков и ручного инструмента.
- 10) Применяйте только **ПОДХОДЯЩУЮ** оснастку для заточки конкретных режущих инструментов. Категорически запрещается изменять конструкцию оснастки или держателей. Запрещается применять оснастку собственного изготовления или изменять конструкцию станка. Этот станок может быть непригодным для выполнения конкретной операции, если необходимая оснастка отсутствует. **ЗАПРЕЩАЕТСЯ** затачивать инструменты, удерживая их в руках.
- 11) Перед **КАЖДЫМ** использованием осматривайте станок, круги и оснастку. Использование поврежденных абразивные кругов **КРАЙНЕ ОПАСНО** и чревато **СЕРЬЕЗНЫМИ** травмами оператора и находящихся поблизости людей.
- 12) Абразивные круги должны быть должным образом обслужены. Рабочая поверхность должна быть **РОВНОЙ**. Если поверхность изношена неравномерно, выполните правку с помощью специального инструмента.
- 13) Убедитесь, что цепи питания соответствуют требованиям заземления. Запрещается подключать станок к электрическим цепям без защитного заземления или к незащищенной электрической розетке (без автоматического выключателя или плавких предохранителей). Если вы не уверены, что знаете, как подключить этот станок безопасным образом, обратитесь к квалифицированному электрику. Неправильные или поврежденные электрические соединения могут стать причиной поражения электрическим током, пожара и повреждения машины.

Знакомство с изделием

1. Кожаный полировальный круг
2. Вертикальные крепления кронштейна
3. Ручка крепления
4. Выключатель
5. Лоток для воды
6. Шлифовальный круг
7. Металлическая шайба (2 шт.)
8. Крепежная гайка
9. Горизонтальные крепления кронштейна
10. Ручка регулировки крутящего момента

Оснастка, поставляемая в комплекте:

11. Кронштейн
12. Регулятор вылета кронштейна
13. Держатель
14. Инструмент для правки круга
15. Полировальная паста
16. Гаечный ключ на 19 мм
17. Регулятор угла

Назначение

Станок предназначен для мокрой заточки различных режущих инструментов и лезвий с помощью специальных держателей (опция) на низкой частоте вращения.

Распаковывание инструмента

- Аккуратно распакуйте и осмотрите инструмент. Ознакомьтесь со всеми его характеристиками и функциями.
- Убедитесь, что все детали инструмента находятся в хорошем состоянии. Если какие-либо детали отсутствуют или повреждены, то эксплуатация инструмента разрешается только после замены таких деталей.

Перед эксплуатацией

Установка шлифовального круга и лотка для воды

1. Наденьте металлическую шайбу (7) на шпindel. Обод должен находиться на стороне, противоположной корпусу станка.
2. Наденьте шлифовальный круг (6) на шпindel, не прикладывая больших усилий. Центральная «вдавленная» часть круга должна располагаться на стороне, противоположной корпусу станка (как показано на рисунке).
3. Защелкните лоток для воды (5) в нужном положении. Установочное положение лотка выбирается в зависимости от размера шлифовального круга так, чтобы круг мог беспрепятственно вращаться, и чтобы его нижняя точка располагалась ниже максимального уровня воды (в соответствии с указателем на лотке).
4. Наденьте вторую металлическую шайбу (7) на шпindel. Обод должен находиться на стороне шлифовального круга.
5. Затяните крепежную гайку (8). Для надежного крепления используйте гаечный ключ (16).

- Примечание.** На шпинделе сформирована левая резьба, поэтому при затяжке гайку следует поворачивать против часовой стрелки.
6. Поверните шлифовальный круг рукой на несколько оборотов. Он должен вращаться без биения/перекоса и заеданий.

Кожаный полировальный круг

1. Станок поставляется с установленным кожаным полировальным кругом (1).
2. Перед началом эксплуатации убедитесь, что полировальный круг надежно закреплен.
3. При необходимости можно подтягивать ручку крепления (3) (по часовой стрелке).

Примечание. Затягивать только от руки!

Размещение станка

- Установите станок на твердую рабочую поверхность. Он должен стоять устойчиво, опираясь на все четыре лапы.

Примечание. Станок имеет резиновые лапы для гашения вибраций. Установочная поверхность не должна вызывать или усиливать вибрацию станка.

- Рабочее место должно иметь достаточное освещение. Вокруг станка должно быть достаточно свободного места.

Заливка воды в лоток

1. Залейте чистую холодную воду в лоток (5) до отметки «MAX WATER LEVEL» (МАКСИМАЛЬНЫЙ УРОВЕНЬ ВОДЫ) на боковой стенке.
2. Во время работы следите за уровнем воды: он должен быть достаточным для того, чтобы рабочая поверхность шлифовального круга (6) смачивалась.

Включение муфты привода

1. Плотно затяните ручку регулировки крутящего момента (10) (по часовой стрелке) до контакта с корпусом станка. Так включается муфта привода.
2. После работы всегда ослабляйте ручку. Это позволит избежать нарушения формы ведущего шкива.

Применение инструмента для правки круга

Инструмент (14) используется для правки круга и подготовки к чистовой или черновой обработке.

Для черновой обработки и быстрого удаления большого объема материала (например, для восстановления формы режущего инструмента):

- Выполните правку рабочей поверхности круга грубой стороной инструмента для правки.

Для чистовой обработки, заточки режущего инструмента:

- Выполните правку рабочей поверхности круга чистовой стороной инструмента для правки. Подготовленный таким образом круг идеально подходит для заточки режущего инструмента и подготовки к окончательной полировке режущей кромок с помощью кожаного полировального круга.

Применение держателя

Держатель, кронштейн (11) и приспособление для регулировки угла (17) обеспечивают высокую точность установки угла заточки режущего инструмента.

1. Ослабьте ручки держателя (13).
2. Вставьте режущий инструмент в держатель так, чтобы один из его краев упирался в концевые упоры (рисунок А).
3. Закрепите инструмент, затянув ручки.

Применение кронштейна

- Кронштейн (11) можно устанавливать так, чтобы затачиваемый инструмент располагался по направлению вращения круга или против направления вращения.

Заточка с установкой затачиваемого инструмента против направления вращения круга:

1. Установите кронштейн (11) в вертикальные крепления (2) (рисунок В).

Заточка и полирование с установкой затачиваемого инструмента по направлению вращения круга:

1. Установите кронштейн (11) в горизонтальные крепления (9) (рисунок С).

ВНИМАНИЕ! Полирование разрешается ТОЛЬКО по направлению вращения.

- При установке затачиваемого инструмента против направления вращения круга, слой материала удаляется быстрее, чем при установке инструмента по направлению вращения.

- Обработка с установкой затачиваемого инструмента по направлению вращения круга может применяться для высокоточной заточки чистовых режущих инструментов и полирования.

- Рекомендуем попрактиковаться выполнять наладку станка для различных типов и размеров режущего инструмента. Необходимо добиваться правильных углов заточки и отсутствия перекоса затачиваемого инструмента относительно поверхности шлифовального круга.

- В общем случае, для заточки кронштейн устанавливается в вертикальные крепления, а инструмент располагается против направления вращения.
- **КАТЕГОРИЧЕСКИ ЗАПРЕЩАЕТСЯ** устанавливать кронштейн в вертикальные крепления при работе с кожаным полировальным кругом. В противном случае полировальный круг будет испорчен.

Применение приспособления для регулировки угла

- Приспособление для регулировки угла (17) служит для точной установки угла заточки режущего инструмента (рисунок D).
1. Закрепите режущий инструмент в держателе (13) и установите кронштейн в крепления.
 2. Измерьте угол режущей кромки инструмента с помощью насечек на наружной части приспособления для регулировки угла.
 3. Ослабьте крепежные ручки приспособления и поверните шкалу так, чтобы черные стрелки совместились с нужной отметкой диаметра шлифовального круга (рисунок E).
 4. Затем задайте требуемый угол режущей кромки инструмента (измеренный в соответствии с пунктом 2 выше) указателем и затяните крепежную ручку (рисунок E).
 5. Установите держатель на кронштейн так, чтобы режущий инструмент опирался на шлифовальный круг.
 6. Установите криволинейную опору приспособления для регулировки угла на шлифовальный круг, а плоскую часть указателя - на затачиваемый режущий инструмент (рисунок F).
 7. Настраивая вылет кронштейна регулятором (12), добейтесь того, чтобы плоская часть указателя приспособления легла на инструмент всей своей поверхностью.
 8. Теперь угол заточки задан правильно.

Эксплуатация

Важные замечания по технике безопасности

- Категорически запрещается работать на этом станке без необходимых средств защиты (включая сертифицированные защитные очки и защитную маску или респиратор).
- Пользуйтесь стойкими и разрезаем перчатками и соблюдайте осторожность при обращении с режущим инструментом.
- **ЗАПРЕЩАЕТСЯ** проверять заточку инструмента пальцем (или другими частями тела).
- Шлифовальный и полировальный круги вращаются в направлении, указанном стрелкой в верхней части инструмента (рядом с горизонтальными креплениями кронштейна).
- Перед началом работы убедитесь, что лоток для воды правильно установлен и заполнен водой. Регулярно проверяйте уровень воды и доливайте ее при необходимости. **КАТЕГОРИЧЕСКИ** запрещается выполнять обработку сухим шлифовальным кругом! Это опасно.
- Убедитесь, что поверхность шлифовального круга ровная и подготовлена к предстоящей работе с помощью инструмента для правки.
- Перед каждым запуском прокручивайте шлифовальный круг вручную для проверки (он должен вращаться свободно).
- После установки нового круга всегда давайте ему поработать около минуты без нагрузки, и только потом приступайте к работе. При пуске станка стойте сбоку от него.

Включение и выключение

1. Убедитесь, что выключатель (4) находится в положении «ВЫКЛЮЧЕНО» (O).
2. Подключите станок к сети питания.
3. Чтобы включить станок, переведите выключатель в положение «ВКЛЮЧЕНО (I)».
4. Чтобы отключить станок, переведите выключатель в положение «ВЫКЛЮЧЕНО (O)».
5. Если работа прервана или завершена, отключите устройство от розетки.

Заточка режущего инструмента

- Прижимайте инструмент к шлифовальному кругу с одинаковым усилием.
- Перемещайте держатель назад и вперед по кронштейну: таким образом заточка инструмента и износ шлифовального круга будут равномерными.
- Не нажимайте слишком сильно. Для заточки достаточно небольшого усилия прижима.

Заточка без держателя

- Если заготовка слишком велика для крепления в держателе, можно установить кронштейн (11) и использовать его в качестве упора для заготовки. При этом режущая кромка должна быть направлена от оператора. Это позволит надежно удерживать инструмент под нужным углом.
- Перемещайте инструмент назад и вперед поперек круга: таким образом заточка инструмента и износ шлифовального круга будут равномерными.

Примечание. Кронштейн (TWSSAE) и несколько специальных держателей (например, держатель для длинных ножей (TWSLJK)) можно приобрести у местного дилера Tipton. Настоятельно рекомендуется всегда пользоваться подходящим специальным держателем при работе на этом станке.

Полирование режущего инструмента

- Кожаный полировальный круг позволит удалить все заусенцы и сформировать гладкую и острую режущую кромку после заточки.

ВНИМАНИЕ! При полировании инструмент следует располагать только по направлению вращения. **КАТЕГОРИЧЕСКИ** запрещается выполнять обработку с установкой инструмента против направления вращения!

1. Убедитесь, что станок отключен от питания во время подготовки.
2. Установите кронштейн и держатель, как показано на рисунке С. Проверьте угол установки затачиваемого режущего инструмента с помощью приспособления для регулировки угла.
3. Выдавите достаточное количество полировальной пасты (15) непосредственно на полировальный круг (1). Во время обработки паста сама распределится по кругу.
4. Включите станок и начните обработку, перемещая инструмент поперек рабочей части полировального круга. При этом контакт инструмента с кругом всегда должен быть не менее, чем по половине ширины круга.
5. Не нажимайте слишком сильно на затачиваемый инструмент. В этом нет необходимости.
6. Как и при заточке, перемещайте держатель вперед и назад по кронштейну для равномерной полировки инструмента.
7. **НЕ ДОПУСКАЕТСЯ** выполнять обработку без полировальной пасты. При обработке нескольких режущих инструментов, возможно, необходимо будет добавить полировальную пасту между операциями. Перед тем как нанести пасту отключите станок и снимите режущий инструмент.

Полирование без держателя

- Если заготовка слишком велика для крепления в держателе, можно установить кронштейн (11) и использовать его в качестве упора для заготовки. При этом режущая кромка должна быть направлена от оператора. Это позволит надежно удерживать инструмент под нужным углом.
- Перемещайте инструмент назад и вперед поперек круга для равномерной полировки.

Удаление дефектов

- Иногда при производстве режущих инструментов на поверхности тела (или на рабочей части) инструмента остаются дефекты.
- Чтобы удалить их, можно обработать дефектную поверхность инструмента боковой частью круга.
- Медленно перемещайте обрабатываемую поверхность по кругу. Не прижимайте инструмент слишком сильно и не допускайте контакта пальцев с кругом.
- Эта операция выполняется до заточки.

Завершение работы

1. Отключите муфту привода, ослабив ручку (10). Это позволит избежать нарушения формы ведущего шкива.
2. Слейте воду из лотка.

ВНИМАНИЕ! НИКОГДА не оставляйте шлифовальный круг погруженным в воду.

Оснастка

- Дилеры Triton поставляют широкий выбор оснастки, включая несколько специальных держателей инструментов:
- Держатель для гравировального инструмента (TWSCTJ)
- Держатель для стамесок (TWSTGJ)
- Держатель для ножниц (TWSSJ)
- Держатель для длинных ножей (TWSLKJ)
- Держатель ножей для рубанков (TWSPCJ)
- Держатель с прямыми краями (TWSSEJ)
- Удлинитель кронштейна (TWSAE)
- Суппорт (TWSTR)
- Настраиваемый держатель (TWSGAJ)
- Камень для правки (TWSSG)
- Алмазный инструмент для правки (TWSDTT)
- Чехол для станка (TWSWSC)
- Полировальная паста для металлов (TWSMP)
- Сменные шлифовальные и полировальные круги можно приобрести у местного дилера Triton. Оригинальные запчасти Triton можно заказать на сайте toolsparsonline.com

Техническое обслуживание

Общий осмотр

- Регулярно проверяйте затяжку всех крепежных винтов. Со временем затяжка может ослабевать от вибрации.
- Перед каждым использованием инструмента осматривайте шнур питания на предмет повреждений или износа. Ремонтные операции должны проводиться только официальным сервисным центром Triton. Эта рекомендация распространяется и на шнуры-удлинители, используемые с инструментом.

Очистка

- Всегда держите инструмент в чистоте. Пыль и грязь ускорят износ внутренних деталей и сокращают срок службы инструмента. Для чистки корпуса используйте мягкую щетку или сухую тряпку. По возможности рекомендуется продуть вентиляционные отверстия сухим и чистым сжатым воздухом.

Обслуживание шлифовальных кругов

- Не используйте шлифовальный круг, если он подвергся ударной нагрузке (особенно если удар пришелся в боковую часть круга).
- Заменяйте треснувшие или сомнительные круги без промедления.
- Следите за тем, чтобы рабочая поверхность круга была ровной. Если на рабочей поверхности шлифовального круга наблюдаются неровности или прочие следы износа, можно восстановить геометрию круга с помощью алмазного инструмента для правки TWSDTT (поставляется отдельно).
- Порядок установки шлифовального круга описан в разделе «Установка шлифовального круга и лотка для воды».

Примечание. На шпинделе сформирована левая резьба: затяжка производится против часовой стрелки, ослабление - по часовой.

Замена кожаного полировального круга

Если кожаный полировальный круг (1) изношен или порван, то его необходимо заменить.

1. Выкрутите и снимите ручку крепления (3).
2. Снимите изношенный полировальный круг со шпинделя и установите новый круг вместо него.
3. Установите ручку крепления обратно и затяните ее.

Примечание. Затягивать только от руки!

Хранение

- Перед хранением ВСЕГДА сливайте воду из лотка, очищайте станок и укрывайте его.
- Хранение станка с влажным шлифовальным кругом ЗАПРЕЩАЕТСЯ. Перед тем как укрывать станок на хранение необходимо ОБЯЗАТЕЛЬНО убедиться, что шлифовальный круг полностью высох.
- Станок должен храниться в надежном, теплом, сухом и недоступном для детей месте.

Утилизация

Утилизация неработающего и не подлежащего ремонту электроинструмента должна выполняться в строгом соответствии с государственными нормативами.

- Запрещается утилизировать электроинструмент или иной лом электрического и электронного оборудования с бытовым мусором.
- Обратитесь в местное управление по утилизации отходов за информацией о правильных методах утилизации электроинструмента.

Декларация соответствия CE

Нижеподписавшийся: Господин Дэррел Моррис (Darrell Morris)

уполномоченный компанией: Triton Tools

Заявляет, что

Идентификационный код: 949257

Описание: Заточной станок

Соответствует следующим директивам и стандартам:

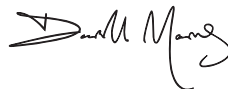
- Директива по машинам 2006/42/EC
- Директива по низковольтному оборудованию 2006/95/EC
- Директива по электромагнитной совместимости 2004/108/EC
- Директива об ограничении использования вредных веществ 2011/65/EU
- EN 61029-1:2009+A11:2010
- EN 61000-3-2:2006/A1:2009+A2:2009 • EN61000-3-3: 2013
- EN 55014-1:2006/A1:2009/A2:2011
- EN 55014-2: 1997/A1:2001/A2:2008 • EN 50581:2012

Уполномоченный орган: Intertek

Владелец технической документации: Triton Tools

Дата: 04/03/2015

Подпись:



Господин Дэррел Моррис (Darrell Morris)

Директор

Название и адрес производителя:

Powerbox International Limited, Company No. 06897059.

Юридический адрес: Central House, Church Street, Yeovil, Somerset BA20 1HH, United Kingdom (Великобритания).

Az eredeti utasítások fordítása

Köszönjük, hogy megvásárolta ezt a Triton szerszámot! A jelen útmutató a termék biztonságos és hatékony üzemeltetéséhez szükséges információkat tartalmazza. Ez a termék egyedi tulajdonságokkal rendelkezik, és még ha Ön ismeri is a hasonló termékeket, mindenképpen alaposan olvassa el ezt az útmutatót, hogy megértse a benne levő utasításokat. Ügyeljen arra, hogy a szerszámot használó minden személy elolvassa és teljesen megértse ezeket az utasításokat.

A szimbólumok leírása



Viseljen fülvédőt.
Viseljen védőszemüveget.
Viseljen védőmaszkot.
Viseljen fejtvédőt.



Olvassa el a kezelési útmutatót.



A készülék megfelel a vonatkozó jogszabályoknak és biztonsági szabványoknak. (Kizárólag EU modell esetén)



Figyelem!



I. érintésvédelmi osztály (védőföldeléssel ellátva)



Csak beltérben használható.



Környezetvédelem

A leselejtezett elektromos termékeket nem szabad a háztartási hulladékba dobni. Kérjük, vigye el a megfelelő újrafelhasználási helyre, ha létezik ilyen. Keresse meg a helyileg illetékes hatóságokat vagy a forgalmazót az újrafelhasználásra vonatkozó tanácsokért.



FIGYELMEZTETÉS

A készülék nehéz, ezért óvintézkedésként összeszerelését két személy végezze.

Műszaki adatok

Típuszám:	TWSS10
Névleges jellemzők:	220 V - 240 V~, 50/60 Hz, 120 W
Meghajtás:	Aszinkron motor
Üresjáratú fordulatszám:	125 f/perc
Fenőkő:	Ø250 x 50 mm
Polírozó korong:	Ø230 x 30 mm
Furat mérete:	Ø12 mm
Hálózati vezeték hossza:	2 m
Védettségi osztály:	
Méret (H x M x SZ):	345 x 370 x 270 mm
Tömeg:	14,5 kg
Zajkibocsátásra vonatkozó adatok:	
Hangnyomás szintje, LPA:	86, dB(A)
Hangteljesítmény, LWA:	99, dB(A)
Tűrés, K:	3 dB

FIGYELEM: Mindig viseljen hallásvédő eszközt, ha a zajszint meghaladja a 85 dB(A) értéket, és korlátozza a zajnak való kitettség időtartamát, amennyiben szükséges. Ha a zajszint még fülvédővel is kényelmetlen, azonnal hagyja abba a szerszám használatát, és ellenőrizze, hogy a fülvédő megfelelően illeszkedik-e, és biztosítja-e a szerszám által keltett hangszint megfelelő csökkentését.

FIGYELEM: A szerszám vibrációja a felhasználónál a tapintásérzék elvesztését, zsidbadást, bizsergő érzést és csökkent fogási készséget eredményezhet. A hosszú távú kitettség krónikus betegséget okozhat. Szükség esetén korlátozza a rezgésnek kitétségi időtartamát, és használjon rezgéscsillapító kesztyűt. Ne használja a szerszámot csupasz kézzel a normál, kellemes hőmérséklet alatt, mivel ekkor a rezgésnek erősebb lesz a hatása. A műszaki adatokban megadott vibrációs számadatokból kiszámítható a szerszám használatának időtartama és gyakorisága.

A műszaki adatokban megadott hang- és vibrációs szintek az EN60745 vagy hasonló nemzetközi szabványoknak megfelelően vannak meghatározva. A számadatok a szerszám szokásos működési körülmények között történő normál használatát jelzik. A rosszul karbantartott, rosszul összeszerelt, vagy nem megfelelő módon használt szerszámnál a zajszint és a rezgésszint megemelkedhet. A www.osha.europa.eu weboldal tájékoztatást nyújt a munkahelyi hang- és vibrációs szintekről. Ez hasznos lehet az otthoni felhasználók számára, akik a szerszámokat hosszú időn át használják.

Az elektromos kéziszerszámmal kapcsolatos általános munkavédelmi tudnivalók

FIGYELEM! Elektromos szerszámok használatakor a tűz, áramütés vagy személyi sérülés elkerülésének érdekében tartsa be az alábbi alapvető biztonsági óvintézkedéseket. A készülék használatát előtt olvassa el az összes utasítást, és őrizze meg a Használati útmutatót a jövőbeni használat céljából.

FIGYELEM: Ezt a készüléket nem használhatják csökkent fizikai vagy értelmi képességekkel rendelkező személyek (beleértve ebbe a gyermekeket is), vagy tapasztalat és ismeretek nélkül rendelkező emberek, hacsak nem állnak a biztonságukért felelős személy felügyelete alatt, illetve nem követik annak utasításait. A gyermekeket felügyelet alatt kell tartani, hogy ne játsszanak a készülékkel.

VIGYÁZAT: A szerszámgépet, a tartozékokat, a maróféjeket stb. ezen utasításoknak megfelelően, valamint a munkakörülmények és a végzendő munka figyelembe vételével használja. A szerszámgép rendeltetésétől eltérő használatra veszélyes helyzetet okozhat.

A figyelemztésekben említett „szerszámgép” kifejezés az összes alábbi figyelemztetés esetén az elektromos hálózatról üzemelő (vezetékes) szerszámgépre és az akkumulátorról üzemelő (vezeték nélküli) szerszámgépre is vonatkozik.

- 1 - Tartsa rendben a munkaterületet - Rendetlen területeken és munkapadokon nagyobb a sérülés kockázata.**
- 2 - Tartsa rendben/ügyeljen a munkaterület környezetére is.**
 - Ne tegye ki a szerszámot esőnek.
 - Ne használja a szerszámot nedves vagy nyirkos környezetben.
 - Gondoskodjon a munkaterület jó megvilágításáról.
 - Ne használja a szerszámot gyúlékony folyadékok vagy gázok környezetében.
- 3 - Áramütés megelőzése - Kerülje a fizikai érintkezést földelt felületekkel (például csövezetésekkkel, fűtővezetékkel, tűzhelyekkel és hűtőberendezésekkel).**
- 4 - Tartsa távol az illetéktelen személyeket - Ne engedje, hogy illetéktelen személyek, különösen gyermekek megérintsék a gépet vagy az elektromos kábelt, és tartsa őket távol a munkaterülettől.**
- 5 - Rakja el a nem használt szerszámokat - A használaton kívüli szerszámokat száraz, zárható helyen, gyermekek elől elzárva kell tárolni.**
- 6 - Ne erőltesse a szerszámot - A szerszám jobban és biztonságosabban működik azon a sebességen, melyre tervezték.**
- 7 - Használjon megfelelő szerszámot - Ne használjon kis szerszámot olyan munkára, amelyet nagy géppel kellene elvégezni.**
 - Ne használjon szerszámokat rendeltetésüktől eltérő módon; például ne használjon körfűrész faágak vagy farönkök vágására.
- 8 - Öltözzön megfelelően.**
 - Ne viseljen laza ruházatot vagy ékszereket, mert ezek beleakadhatnak a mozgó alkatrészekbe.
 - Kültérben való munkavégzéskor munkavédelmi lábbeli viselése javasolt.
 - A hosszú haj védelmére viseljen megfelelő fejfedőt.
- 9 - Használjon védőfelszerelést.**
 - Viseljen védőszemüveget.
 - Viseljen arcvédő vagy porvédő maszkot, ha poros körülmények között dolgozik.

FIGYELEM: A védőfelszerelés vagy megfelelő ruházat viselésének elmulasztása személyi sérülést okozhat, illetve megnövelheti a súlyosabb sérülés kockázatát.

10 - Csatlakoztassa poredzésű berendezéshez - Amennyiben a szerszámgéphez por elvezetésére és összegyűjtésére szolgáló berendezést lehet csatlakoztatni, bizonyosodjon meg róla, hogy ezeket csatlakoztatta, és hogy használatuk a megfelelő módon történik.

11 - Ne használja helytelen módon a tápkábelt - Soha ne mozgassa a készüléket és ne húzza ki a konnektorból a kábelnél fogva. A tápkábel tartsa távol a hőforrásoktól, olajtól és az éles peremektől. A megrongálódott vagy összekuszálódott tápkábelek növelik az áramütés veszélyét.

- 12 - Rögzítse a munkadarabot - Lehetőség szerint használjon pillanatsszorítót vagy satut a munkadarab rögzítéséhez. Ez biztosabb rögzítést eredményez, mint a kézzel való megfogás.**
- 13 - Kerülje az abnormális testtartást - Mindig biztonságosan állva és egyensúlyát megtartva dolgozzon.**
- 14 - Gondoskodjon szerszámi karbantartásáról.**
 - A tisztán tartott, éles vágóélekkel rendelkező vágószerszámoknál kevésbé valószínű a munkadarabra való beszorulás, és a szerszám irányítása is könnyebb.
 - A tartozékok kenéséhez vagy cseréjéhez kövesse az utasításokat.
 - Rendszeresen ellenőrizze a szerszám tápvezetékeit, és ha károsodtak, bizza a javításukat a márkaszervizre.
 - Rendszeresen ellenőrizze a hosszabbító kábeleket, és ha megsérültek, cserélje ki azokat.
 - A fogantyúkat/karokat tartsa szárazon, tisztán, valamint olaj- és zsírmentesen.

FIGYELEM: A nem megfelelően karbantartott szerszámgépek sok balesetet okoznak.

15 - Kösse le a gépet az elektromos hálózatról - Húzza ki a gépet az aljzatból, mielőtt javítást végezne rajta, vagy mielőtt kiegészítőt cserélne (pl. penge, bitfej).

FIGYELEM: A gyártó által nem javasolt kiegészítők vagy tartozékok használatra balesetet okozhat.

16 - Távolítsa el az állítókulcsokat - Tegye szokásává a szerszám bekapcsolása előtt a beállítókulcsok és tartozékok ellenőrzését, valamint eltávolítását.

17 - Kerülje a véletlen beindítást - Az áramforráshoz való csatlakoztatás és/vagy az akkumulátor behelyezése előtt, illetve az eszköz felemeléskor vagy szállításakor.

FIGYELEM: A szerszám véletlen beindítása súlyos sérüléseket okozhat.

18 - Használjon kültéri hosszabbító kábelt - A szerszám kültéri használatkor használjon a kültéri használatra tervezett hosszabbítót. A kültéri kivitelű hosszabbító kábel alkalmazása csökkenti az áramütés veszélyét.

19 - Mindig legyen nagyon óvatos.

- Ügyeljen arra, amit tesz, őrizze meg a józan ítélőképességét, és ne működtesse a szerszámgépet, ha fáradtnak érzi magát.
- A szerszámgépet ne használja, ha kábítószert, alkoholt vagy gyógyszer hatása alatt áll.

FIGYELEM: A szerszámgép működtetése során előforduló pillanatnyi figyelmetlenség súlyos személyi sérülést eredményezhet.

20 - Ellenőrizze, hogy nincsenek-e sérült alkatrészek.

- A szerszám használatát előtt gondosan ellenőrizze a védőelemeket, hogy eldönthesse, vajon helyesen működnek-e és képesek-e rendeltetészerűen üzemelni.
- Ellenőrizze a mozgó alkatrészek illeszkedését és szabad mozgását, az alkatrészek vagy szerelvények törését, illetve bármely olyan körülményt, amely hatással lehet a szerszám működésére.
- A sérült védőfelszerelést vagy alkatrészt hivatalos szervizközpontban megfelelő módon meg kell javítani vagy ki kell cserélni, hacsak a jelen használati utasítás másként nem rendelkezik.
- A hibás kapcsolatokat cseréltesse ki hivatalos márkaszervizben.

FIGYELEM: Ne használja a szerszámgépet, ha a be/ki kapcsolója nem működik. A kapcsolót a szerszám használatba vétele előtt meg kell javítani.

21 - Képzett személyvel javíttassa meg a szerszámot - Ez a szerszám megfelel a hatályos biztonsági előírásoknak. A szerszám javítását csak szakember végezheti, ellenkező esetben a javítás nagy veszélyt jelenthet a felhasználóra.

FIGYELEM: Szervizelésekor csak az eredetivel megegyező cserealkatrészeket használjon.

FIGYELEM: Amennyiben a készülék tápkábele megsérül, azt a gyártóval vagy hivatalos márkaszervizben kell kicseréltetni.

22 - Az elektromos kéziszerszám csatlakozódugaszának illeszkednie kell a hálózati aljzathoz - A csatlakozódugaszt soha ne módosítsa. Semmiféle csatlakozóadaptert ne használjon védővezetékekkel ellátott („földelt”) szerszámgéphez. A nem módosított és az aljzathoz illeszkedő csatlakozódugók csökkentik az áramütés veszélyét.

23 - Ha a szerszámgép áramvédő kapcsoló (FI-relé) biztosítása nélkül használja - Az áramvédő kapcsoló használata csökkenti az elektromos áramütés kockázatát.

MEGJEGYZÉS: Az „áramvédő kapcsoló (FI-relé)“ kifejezés helyettesíthető a „föld hibaáramkör-megszakító (GFCI)“ vagy „földzárlat-megszakító (ELCB)“ kifejezéssel is.

FIGYELEM: Ausztráliában vagy Új-Zélandon való használatkor MINDIG 30 mA-es vagy annál alacsonyabb hibaáramra leoldó áramvédő kapcsolóval (FI-relével) rendelkező tápfeszültség alkalmazása javasolt.

FIGYELEM: Mielőtt a szerszámgép tápfeszültséghez csatlakoztatja (főkapcsoló hálózati aljzathoz, fali aljzat stb.), győződjön meg arról, hogy a tápfeszültség értéke megegyezik-e a szerszámgép adattábláján megadott értékkel. A kezelő súlyos sérülést, illetve a szerszámgép károsodását okozhatja, ha azt az előírtnál magasabb feszültséggel működteti. Készséges esetben ne csatlakoztassa a gépet a hálózathoz. Ha a szükségesnél alacsonyabb értékű tápfeszültséget használ, az árthat a gépre.

Polarizált dugvillák (kizárólag Észak-Amerika számára) Az áramütés veszélyének csökkentése érdekében a készülék polarizált dugvillával van felszerelve (az egyik villaszár szélesebb a másiknál). Ez a dugvilla kizárólag egy módon illeszkedhet a dugaljba. Ha a dugvilla nem illeszkedik teljesen az aljzathoz, fordítsa meg a dugvillát. Ha a dugvilla továbbra sem illeszkedik az aljzathoz, akkor egy képzett villanyszerelővel a megfelelő típusú aljzathoz kell felszereltetni. Ne módosítsa semmilyen módon a dugvillát.

A nedves köves köszőrűre vonatkozó munkavédelmi tudnivalók



FIGYELEM!

- **Az elektromos kéziszerszámot kizárólag a szigetelt markolatainál fogja meg, mivel a köszőrűkó véletlenül hozzérhat a saját tápkábeléhez.** A feszültség alatt álló vezeték elvágása miatt a szerszám fém alkatrészei is áram alá kerülhetnek, és a kezelőt áramütés érheti.
- **A szerszám az 1. érintésvédelmi kategóriába (földelt) tartozik, és három eres vezetékkel, valamint dugvillával rendelkezik.** Amennyiben a készülék tápkábele vagy dugvillája megsérül, azt a veszélyhelyzet elhárítása érdekében a hivatalos márkaszervizben kell megjavíttatni.
- **Nyomatékosan javasoljuk, hogy az áramellátást mindig érintésvédelmi, áramvédő kapcsolón (FI-relé) keresztül biztosítsa, amelynek az érzékenysége nem haladhatja meg a 30 mA értéket.**
- a) **Viseljen megfelelő személyi védőfelszerelést, többek között megfelelő védőszemüveget és légzőmaszkot. NE viseljen laza ruhameüt, VEGYE LE magáról az ékszereket, és ha hosszú a haja, kösse azt hátra. NE egyen, igyon vagy dohányozzon a munkaterületen. Ne engedjen gyermekeket a készülék közelébe.**
- b) **A szerszámgéppel való munka közben mindig szilárdan álljon a talajon. SOHA ne hajtson a forgó korongok fölé, illetve ne nyúljon át felettük. MINDIG számoljon a visszarúgás jelenségével. A köszőrűkó a tájolásától és forgásától függően a munkadarabot kiránthatja a kézből, vagy a kezelő felé dobhatja.**
- c) **A gép szerszámok és általános háztartási pengék élezéséhez készült. Ez a szerszám nem alkalmas egyéb köszőrülési célokra, és nem használható a szerszámok pengéiben általánosan használttól eltérő anyagok köszőrülésére.**
- d) **Az élezést kizárólag az eljárásokat, szükséges technikákat és ezekben rejlő veszélyforrásokat jól ismerő személyeknek kell elvégezniük. A jelen útmutató kizárólag a gép általános használatát ismerteti, és nem helyettesíti a fémmegmunkálásban, szerszámélezésben és gyakorlatban megszerzett hivatalos képzettséget.**

e) **NE HASZNÁLJA a gépet, amennyiben bizonytalan abban, hogy miként használja szerszámok élezésére biztonságosan, valamint az előírásoknak és rendeleteknek megfelelően.**

f) **MINDIG tartsa be a szerszám gyártójának az élezésre és karbantartásra vonatkozó előírásait. Amennyiben az előírások nem érthetőek, küldje vissza a gyártónak a szerszámot élezésre.**

g) **SOHA ne próbáljon meg olyan pengét élezni, mely nem újravezethető. Bizonyos pengéket (pl.: egyes elektromos kéziszerszámok pengéit) ki kell cserélni, ha élettelené válnak, elkopnak vagy sérülnek, mivel ezeket NEM LEHET élezni és ismétlenül használni.**

h) **Bizonyos kézi és elektromos szerszámok pengéi élezett geometriájúak. Amennyiben az ilyen pengét lehet öszniet, KIZÁRÓLAG az eredeti geometriájára szabad visszaállítani. SOHA ne módosítsa a penge meglévő tulajdonságait. Amennyiben nem biztos benne, hogy ezt miként lehet elérni, a pengét a gyártóval vagy egy képzett szakemberrel éleztesse meg.**

i) **A fémmegmunkáló gépek potenciális veszélyt rejtnek magukban helytelen használat esetén. MINDIG tartsa be a fémmegmunkáló gépek és kéziszerszámok üzemeltetésére vonatkozó általános szabályokat és eljárásokat.**

j) **Az adott szerszám élezéséhez az ahhoz MEGFELELŐ tartozékok használja. Soha ne módosítsa a tartozékot vagy az élező keretet. Soha ne használjon saját maga által készített tartozékokat, és ne módosítsa a gépet. Előfordulhat, hogy ez a készülék nem használható, ha nem állnak rendelkezésre az adott élezési feladathoz készített tartozékok. NE élezzon szabad kézzel a szerszámokat.**

k) **Minden használat előtt alaposan ellenőrizze a gépet, annak korongját és tartozékait. A sérült csiszolókorong használatá RENDKÍVÜL BALESETVESZÉLYES, és a kezelő, illetve a közelben tartózkodó személyek SÚLYOS sérülést okozhatja.**

l) **A köszőrűkorongok körületekintő karbantartást igényelnek, és EGYENLETES köszőrűkó felülettel kell rendelkezniük. A korongok állapotát köszőrűkó-lehúzóval vagy szabályozószerszámmal állítsa vissza, ha a felületük egyenetlenül kopott.**

m) **Ellenőrizze, hogy az épület hálózati áramköre megfelel-e a szerszámgép földelésre vonatkozó igényeinek. A gépet soha ne csatlakoztassa védőföldelés nélküli elektromos áramkörhöz, valamint áramköri megszakítóval vagy biztosítókkal nem rendelkező hálózati aljzathoz. Forduljon egy képzett villanyszerelőhöz, ha nem biztos abban, hogy miként kell bekötöni a jelen szerszámgépet. A helytelen vagy sérült elektromos csatlakozások áramütést, tüzet és a gép megrongálódását eredményezhetik.**

A termék ismertetése

1. Bőr polírozó korong
2. Függőleges tartók a támasztó karhoz
3. Rögzítógomb
4. Be/Ki kapcsoló
5. Víztorló tekno
6. Köszőrűkó
7. Fém alátét (2 db)
8. Biztosítóanya
9. Vízszintes tartók a támasztó karhoz
10. Nyomatékállító gomb

Mellékelt tartozékok:

11. Támasztó kar
12. Támasztó kar magasságállító gyűrűje
13. Élező keret
14. Köszőrűkó-lehúzó
15. Polírozó.pasztá
16. 19 mm-es villáskulcs
17. Szögvezető

Rendeltetésszerű használat

A készülék szerszámok és pengék élező kerettel (külön rendelhető) történő, alacsony fordulatszámú nedves élezéséhez és polírozásához készült.

A szerszám kicsomagolása

- Óvatosan csomagolja ki és ellenőrizze a szerszámot. Ismerkedjen meg az összes kezelésszervvel és funkcióival.
- Ellenőrizze, hogy a szerszám minden alkatrésze a helyén van és jó állapotú-e. Ha bármelyik alkatrész hiányzik vagy sérült, cseréltesse ki, mielőtt használni kezdi a szerszámot.

A használat előtt

A köszőrűkő és a víztároló teknő felszerelése

1. Helyezze a fém alátétet (7) az orsóra úgy, hogy profilja a géptesttől kifele nézzen.
2. Helyezze lazán az orsóra úgy a köszőrűkővet (6), hogy a köszőrűkő összenyomott középpontja a géptesttől kifele nézzen (lásd az ábrát).
3. Rögzítse a víztároló teknőt (5) a helyére. A megfelelő rögzítési helyzet használatával úgy állítsa be a teknőt, hogy biztosítsa a kő szabad mozgását, ugyanakkor a kő a (teknőn jelzett) maximális vízszint alá nyúljon.
4. Helyezze a másik fém alátétet (7) az orsóra úgy, hogy profilja a köszőrűkő felé nézzen.
5. Rögzítse a biztosítóanyával (8). A meghúzáshoz használja a villáskulcsot (16).

Megjegyzés: Az orsó balmenetes, ezért meghúzáshoz az óramutató járásával ellentétes irányba forgassa az anyát.

6. Kézelt forgassa meg néhány fordulattal a köszőrűkővet annak ellenőrzésére, hogy szabadon és pontosan mozog-e.

Bőr polírozó korong

1. A készülékre gyárilag egy bőr polírozó korong (1) van felszerelve.
2. Használat előtt ellenőrizze, hogy a polírozó korong szilárdan van-e felszerelve.
3. Rögzítéshez húzza meg a rögzítógombot (3) az óramutató járásával megegyező irányba.

Megjegyzés: A meghúzást kizárólag kézzel végezze.

A készülék elhelyezése

- A készüléket szilárd felületen állítsa fel úgy, hogy mind a négy lába stabilan felfeküdjön.

Megjegyzés: A készülék négy gumi talppal rendelkezik a rázkódás csökkentése érdekében. Olyan felületen helyezze el, mely nem erősíti a készülék rezgését.

- Biztosítson megfelelő megvilágítást a munkadarab jó láthatósága érdekében, továbbá elegendő helyet a gép körül, hogy ne akadályozza semmi a munkavégzésben.

A víztároló teknő feltöltése

1. Töltse fel a víztároló teknőt tiszta, hideg vízzel az oldalán található MAX jelig.
2. Használat közben ügyeljen arra, hogy a vízszint mindig kellően magas legyen a köszőrűkő (6) köszőrülő felületének nedvesen tartásához.

A meghajtórendszer bekapcsolása

1. Az óramutató járásával megegyező irányba elforgatva húzza meg a nyomatékképző gombot (10), míg hozzá nem szorul a géptesthez. Ezzel bekapcsolta a meghajtórendszert.
2. Használat után mindig lazítsa fel a nyomatékképző gombot. Ezáltal a hajtókerék megőrzi megfelelő alakját.

A köszőrűkő-lehúzó használat

A köszőrűkő-lehúzóval (14) állítsa be a kő felületét finom vagy durva köszőrüléshez:

Durva csiszoláshoz, nagy mennyiségű anyag gyors eltávolításához (például penge élezéséhez):

- A köszőrűkő-lehúzó durva oldalát használja a köszőrűkő felületének durvább tételéhez

Finom köszőrüléshez, késpenge élezéséhez:

- A köszőrűkő-lehúzó finom oldalát használja a köszőrűkő felületének finomabb tételéhez, így ideális lesz penge vágóélelinek élezéséhez a bőr polírozó korongon történő végső polírozás előtt.

Az élező keret használat

A támasztó karral (11) és a szögvezetővel (17) való használatához, hogy a pengét pontosan az élezéshez megfelelő szögben lehessen beállítani.

1. Lazítsa meg az élező keret (13) gombjait.
2. A pengét úgy helyezze az élező keretbe, hogy a penge egyik éle a végűtközknél („A” ábra) legyen.
3. Húzza meg a gombokat a penge rögzítéséhez.

A támasztó kar használat

- A támasztó kar (11) a köszőrűkő forgásával megegyező és ellentétes irányú köszőrülésnek megfelelően is felszerelhető.

A köszőrűkő forgásával ellentétes köszőrülés esetén:

1. Helyezze a támasztó kart (11) a függőleges tartókba (2) („B” ábra).

A köszőrűkő forgásával megegyező köszőrülés és polírozás esetén:

1. Helyezze a támasztó kart (11) a vízszintes tartókba (9) („C” ábra).

FIGYELEM: A polírozást CSAK a köszőrűkő forgásával megegyező irányban szabad elvégezni.

- A köszőrűkő forgásával ellentétes irányú megmunkálás nagyobb mennyiségű anyagot választ le gyorsabban, mint a kő forgásirányával megegyező irányú megmunkálás.
- A köszőrűkő forgásirányával megegyező irányú megmunkálás a penge nagyon precíz élezését teszi lehetővé finomabb szerszámoknál, és polírozásnál használatos.
- Szánjon rá időt, és gyakorolja a beállítást különböző típusú és méretű pengéknel, hogy a helyes élelítésű szöget érje el, és hogy a penge merőlegesen legyen élezve a köszőrűkő felületén.
- Általában élezéshez a támasztó kart a függőleges tartókban helyezze el, és a köszőrűkő forgásával ellentétes irányban végezze az élezést.
- SOHA ne helyezze a támasztó kart a függőleges tartókba, ha a bőr polírozó korongot használja. Amennyiben a pengét a forgásiránnyal szemben próbálja élezni, a polírozó korong súlyosan megsérülhet.

A szögvezető használat

- A szögvezető (17) segítségével lehet a pengét pontosan az élezéshez megfelelő szögben beállítani („D” ábra).
1. Szerelje a pengét az élező keretbe (13), majd helyezze a támasztókart a tartókba.
 2. A szögvezető külső oldalán levő szögmérő segítségével mérje meg a penge élezési szögét.
 3. Lazítsa fel a szögvezetőn a rögzítógombot, és úgy állítsa be a szögmérőt, hogy a feketé nyílak egybeessenek a köszőrűkő-átmérő megfelelő jelzésével („E” ábra).
 4. Ezután állítsa a mutatót a penge élezéséhez szükséges élezési szögbe (melyet fent, a 2. lépésben mért meg), majd rögzítéshez húzza meg a rögzítógallért („E” ábra).
 5. Csavarozza úgy az élező keretet a támasztókarra, hogy penge a köszőrűkővel szemben nyugodjon.
 6. A szögvezető íves lábát helyezze a köszőrűkőre, a mutató lapos részét pedig az élezendő pengére („F” ábra).
 7. A támasztó kar magasságállító gyűrűjével (12) addig állítsa a támasztó kar magasságát, míg a szögvezető mutatójának lapos része teljesen fel nem fekszik a pengén.
 8. Ekkor megfelelő a köszőrülési szög.

Használat

Fontos biztonsági megjegyzések:

- Ne használja a készüléket a szükséges biztonsági felszerelések, ügyint munkavédelmi szemüveg, arcmaszk vagy pormaszk viselése nélkül.
- Viseljen vágásálló kesztyűt, és mindig körültekintően kezelje a megmunkálendő pengéket.
- NE az ujjával (vagy a teste más részével) ellenőrizze a penge élességét.
- A köszörűkő és a polírozó korong a készülék tetején, a vízszintes tartók közelében található nyíl irányában forog.
- Ügyeljen arra, hogy a víztartó teknő helyesen legyen felszerelve, és a munka megkezdése előtt töltsze fel a megfelelő mennyiségű vízzel. Rendszeresen ellenőrizze a víz szintjét, és szükség szerint töltsze fel. Ne próbálja meg száraz kővel élesíteni a pengét, mert ez veszélyt rejt magában.
- Ügyeljen arra, hogy a köszörűkő felülete egyenletes legyen, és helyesen legyen a felületre beállítva a leghúzó szerszámmal.
- Minden használat előtt ellenőrizze, hogy a köszörűkő szabadon forog-e.
- Használat előtt az új követ hagyja forogni egy percen keresztül. Elindításkor álljon a készülék egyik oldalára.

Be- és kikapcsolás

1. Győződjön meg róla, hogy a BE/KI kapcsoló KI (O) helyzetbe van állítva.
2. Csatlakoztassa a készüléket a hálózati aljzathoz.
3. Bekapcsoláshoz állítsa a be/ki kapcsolót BE (I) helyzetbe.
4. Kikapcsoláshoz állítsa a be/ki kapcsolót KI (O) helyzetbe.
5. Válassza le a készüléket a hálózati feszültségről, ha megzavarják, vagy ha befejezte a munkát.

Penge élezése

- A pengét egyenletesen nyomja a köszörűkőhöz.
- Csúsztassa előre-hátra az élező keretet a támasztókaron, hogy a penge élezése egyenletes legyen, és a köszörűkő egyenletesen kopjon.
- Ne nyomja erősen. Az élezéshez mindössze enyhe nyomás szükséges.

Élezés az élező keret nélkül

- Amennyiben a munkadarab túl nagy az élező keretbe való befogáshoz, akkor szerelje fel a támasztókart (11), majd fektesse a munkadarabot a karra úgy, hogy éle Öntől elfelé mutasson. Ez segíti a pengét szilárdan tartani a kívánt szögben.
- Csúsztassa előre-hátra a pengét a kővön, hogy a penge élezése egyenletes legyen, és a köszörűkő egyenletesen kopjon.

Megjegyzés: A Triton kereskedőknél támasztókar-hosszabbító (TWSSAE) és számos egyéb, az adott élezendő eszközhöz kialakított élező keret, például hosszú késekhez való élező keret (TWSLKJ) kapható. Nyomatékosan javasoljuk, hogy mindig az adott élezendő eszközhöz való élező keretet használjon.

Penge polírozása

- Élezés után a bőr polírozó koronggal lehet eltávolítani az esetleg megmaradt sorjakát, és egyenletes, éles vágóélt kialakítani a pengén.

FIGYELEM: A pengét mindig a korong forgásirányával megegyezően polírozza. NE végezze a polírozást a korong forgásirányának ellenében.

1. Beállítás közben ügyeljen arra, hogy a gép csatlakozó dugója ki legyen húzva a hálózati aljzathól.
2. Szerelje fel a támasztó kart (11) és az élező keretet a „C” ábrán látható módon. A szögvezetővel ellenőrizze, hogy a penge szöge helyes-e.
3. Nyomjon bőséges mennyiségű polírozó pasztát (15) közvetlenül a bőr polírozó korongra. Polírozás közben a paszta egyenletesen fog eloszlni a korong felületén.
4. Kapcsolja be a gépet, és mozgassa a pengét a polírozó korong homlokfelületén, ügyelve arra, hogy legalább a korong szélességének a fele mindig érintkezzen a pengével.

5. Adjon időt a polírozó korongnak a művelet elvégzéséhez. Ne fejtsen ki túlzott nyomást a korongra.
6. Az élezéshez hasonlóan mozgassa előre-hátra az élező keretet a támasztókaron, hogy a penge polírozása egyenletes legyen.
7. A paszta használata nélkül NE VÉGEZZEN polírozást. Amennyiben több pengét políroz, nagyobb mennyiségű paszta felvitele lehet szükséges. A paszta felvitele előtt kapcsolja ki a gépet, és távolítsa el a pengét.

Polírozás az élező keret nélkül

- Amennyiben a munkadarab túl nagy az élező keretbe való befogáshoz, akkor szerelje fel a támasztókart (11), majd fektesse a munkadarabot a karra úgy, hogy éle Öntől elfelé mutasson. Ez segíti a pengét szilárdan tartani a kívánt szögben.
- Csúsztassa előre-hátra a pengét a korongon, hogy a penge polírozása egyenletes legyen.

Gyártási nyomok eltávolítása

- A gyártási folyamat során gyártási nyomok maradhatnak a penge felületén.
- Ezeket a penge felületének a kő oldalfalához nyomásával lehet eltüntetni.
- Lassan mozgassa a penge homlokfelületét a kő homlokfelületén. Ne fejtessen ki túlzottan nagy erőt, és ügyeljen arra, hogy ujjai ne érintsék a követ.
- Először ezt a műveletet végezze el, mielőtt elkezdi élezni a pengét.

Befejező műveletek

1. Kapcsolja le a meghajtó rendszert a nyomatékbeállító gomb (10) meglazításával. Ezzel biztosíthatja, hogy a hajtókerék megtartsa alakját.
2. Ūritse ki a víztartó teknőt.

FIGYELEM: A köszörűkövet soha ne hagyja a vízben állni.

Tartozékok

- A Triton forgalmazóknál a tartozékok széles választéka, többek között a különböző pengékhez számos speciális élező keret található meg:

- Élező keret véső szerszámmal (TWSCTJ)
- Élező keret homorú esztérgyalóvésőhöz (TWSTGJ)
- Élező keret olóhoz (TWSSJ)
- Élező keret hosszú késhez (TWSLKJ)
- Élező keret domború felülethez (TWSPCJ)
- Élező keret egyenes élhez (TWSSEJ)
- Támasztó kar toldat (TWSSAE)
- Késtartó szán (TWSTR)
- Állítható élező keret (TWSSGJ)
- Köszörűkő-lehúzó (TWSSG)
- Gýmánt szabályozószerszám (TWSDDT)
- Készülékeltakaró (TWSWSC)
- Polírozó krém fémhez (TWSMP)
- Csere köszörűkövek és polírozó tárcsák is beszerezhetőek a Triton forgalmazóknál; az eredeti Triton alkatrészeket a toolsparsonline.com weboldalon lehet megrendelni.

Karbantartás

Általános átvizsgálás

- Rendszeresen ellenőrizze, hogy minden rögzítőcsavar kellően meg van-e húzva. Ezek a rezgés hatására idővel fellazulhatnak.
- Minden egyes használat előtt ellenőrizze, hogy a hálózati kábel nem sérült vagy kopott-e. A javítást egy hivatalos Triton szervizben kell elvégeztetni. Ez a tanács a szerszámmal használt hosszabbító kábelekre is érvényes.

Tisztítás

- Tartsa a szerszámgépet mindig tisztán. Szennyeződés és por hatására a belső alkatrészek kopása gyorsabb lesz, és lerövidül a gép élettartama. Tisztítsa meg a gép testét egy puha kefével vagy száraz ronggyal. Ha lehetséges, használjon tisztá, száraz, sűrített levegőt a szellőzőnyílások áttüvetéséhez.

A köszőrűkő karbantartása

- Ne használjon olyan köszőrűkövet, melyet ütés ért, különösen ha az ütés a kő oldalát érte.
- A repedt vagy gyanús követ azonnal cserélje ki.
- A köszőrűlési felületet tartsa egyenletesen. A (külön rendelhető) TWSDDT gyémánt lehúzóval állítsa helyre a köszőrűkő felületét, ha az egyenetlenné vált, vagy ha kopás jelei mutatkoznak rajta.
- A köszőrűkő felszerelésével kapcsolatban lásd „A köszőrűkő és a víztároló teknő felszerelése” című szakaszt.

Megjegyzés: A tengely bal menetes: lazításhoz fordítsa el az óramutató járásával megegyező irányba, míg megszorításhoz fordítsa el az óramutató járásával ellentétes irányba.

A bőr polírozó korong cseréje

Ha a bőr polírozó korong (1) cseréje szorul vagy elszakad, ki kell cserélni:

1. Csavarja ki és tegye félre a rögzítógombot (3).
2. Vegye le az elkopott polírozó korongot a tengelyről, és tegye fel a helyére az új korongot.
3. Szerelje vissza és húzza meg a rögzítógombot.

Megjegyzés: A meghúzást kizárólag kézzel végezze.

Tárolás

- Tároláshoz MINDIG ürítse ki a víztároló teknőt, takarítsa le a gépet, és fedje le.
- SOHA ne tárolja a gépet nedves vagy vizes köszőrűkővel. MINDIG ellenőrizze, hogy a kő teljesen megszáradt-e, mielőtt hosszabb időre lefedné és eltárolná.
- Tárolja ezt a szerszámot körültekintően, egy biztonságos, meleg, száraz, gyermekek által el nem érhető helyen.

A készülék hulladékba helyezése

A már nem működőképes és javíthatatlan elektromos kéziszerszámok ártalmatlanítása során mindig tartsa be nemzeti előírásokat.

- Ne dobja ki a leselejtezett elektromos és elektronikus berendezést (WEEE) a háztartási hulladékkal együtt.
- Forduljon a helyi hulladékkezelési hatóságához, hogy tájékozódjon az elektromos szerszámok ártalmatlanításának megfelelő módjáról.

Jótállás

A jótállás regisztrálásához látogassa meg webhelyünket a www.tritontools.com címen, és adja meg adatait. Adatai bekerülnek a levelezési listánkba (kivéve, ha ezt másképpen adja meg), és tájékoztatjuk a későbbi kiadásokról. A megadott adatokat nem bocsátjuk harmadik fél rendelkezésére.

Vásárlási nyilvántartás

Vásárlás dátuma: ___/___/___

Típus: TWSS10 Őrizzze meg a vásárlást igazoló nyugtát.

EK Megfelelőségi nyilatkozat

Alulírott: Mr Darrell Morris

meghatalmazva az alábbi által: Triton Tools

Kijelentem, hogy az alábbi

Azonosító kód: 949257

Leírás: Nedves köves köszőrű

kielégíti az alább felsorolt irányelvek és szabványok előírásait:

- 2006/42/EC gépészeti irányelv
- Alacsony feszültségre vonatkozó 2006/95/EC irányelv
- 2004/108/EC EMC irányelv
- 2011/65/EU RoHS irányelv
- EN 61029-1:2009+A11:2010
- EN 61000-3-2:2006/A11:2009/A2:2009
- EN61000-3-3: 2013
- EN 55014-1:2006/A11:2009/A2:2011
- EN 55014-2: 1997/A11:2001/A2:2008
- EN 50581:2012

A Triton Precíziós Szerszámgépek garantálják vásárlóinak, hogy bármely alkatrész anyaghibából vagy gyártási hibából, a vásárlás időpontjától számított 3 éven belül bekövetkezett meghibásodása esetén, a Triton ingyenesen megjavítja - vagy alapos megfontolás esetén kicseréli - a hibás alkatrészt.

Ez a garancia nem vonatkozik ipari jellegű használatra, továbbá általános jellegű kopásra, illetve a termék nem rendeltetészerű használatából eredő meghibásodására.

*Regisztráljon az interneten 30 napon belül.

Feltételek és kikötések vonatkoznak.

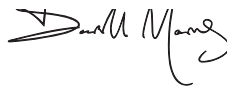
Nincs hatással a törvényben meghatározott jogaira.

Tanúsító testület: Intertek

A műszaki dokumentációt tárolja: Triton Tools

Dátum: 04/03/2015

Dátum:



Mr Darrell Morris

Igazgató

A gyártó neve és címe:

Powerbox International Limited, Company No. 06897059. Registered address: Central House, Church Street, Yeovil, Somerset BA20 1HH, United Kingdom.

Překlad originálního návodu

Děkujeme za zakoupení výrobku Triton. Tento návod obsahuje nezbytné informace pro bezpečné používání a správnou funkci tohoto výrobku. Tento výrobek nabízí mnoho jedinečných funkcí. Je možné, že jste již s podobným výrobkem pracovali; přesto si důkladně přečtěte tento návod, abyste rozuměli pokynům. Ujistěte se, že všichni, kdo s výrobkem pracují, tento návod četli a porozuměli mu.

Použité symboly



Používejte chrániče sluchu
Používejte ochranné brýle
Používejte respirátory
Používejte ochrannou přilbu



Přečtěte si návod



V souladu s příslušnou legislativou a bezpečnostními standardy. (pouze EU model)



Pozor!



Třída ochrany I (uzemnění)



Pouze pro použití vevnitř!



OCHRANA ŽIVOTNÍHO PROSTŘEDÍ

Nevyhazujte elektronářadí do domovního odpadu. Zařízení odevzdejte k recyklaci. V případě dotazů kontaktujte příslušný úřad nebo prodejce.



VAROVÁNÍ: Tento výrobek je těžký a z preventivních důvodů doporučujeme, aby ho kompletovaly dvě osoby.

Technická data

Objednací číslo:	TWSS10
Napětí:	220 V - 240 V~, 50 Hz, 120 W
Pohon:	Indukční motor
Otáčky naprázdno:	125 min ⁻¹
Brusný kotouč:	Ø 250 x 50 mm
Honovací kotouč:	Ø 230 x 30 mm
Vnitřní průměr:	Ø 12 mm
Délka přívodního kabelu:	2 m
Třída ochrany	
Rozměry (D x V x Š):	345 x 370 x 270 mm
Hmotnost:	14,5 kg (32 liber)
Údaje o hluku	
Akustický tlak (L _{PA}):	86,2 dB(A)
Akustický výkon(L _{WA}):	99,2 dB(A)
Tolerance:	3 dB

VAROVÁNÍ: Pokud hladina hluku přesáhne 85 dB(A), vždy noste chrániče sluchu a omezte dobu práce s elektronářadím. Pokud se hladina hluku stane nepříjemnou, i s chrániči sluchu, ihned přestaňte nářadí používat. Zkontrolujte, zda máte chrániče sluchu správně připevněné, aby mohly poskytovat potřebné snížení hladiny hluku, které elektronářadí vydává.

VAROVÁNÍ: Vystavení se vibracím elektronářadí může způsobit ztrátu vnímání dotyku, necitlivost rukou, mravenčení a/nebo omezenou schopnost úchopu. Dlouhodobé vystavení vibracím může obličeje změnit v chronický stav. Pokud je třeba, omezte čas, kdy jste vibracím vystaveni a používejte anti-vibrační rukavice. Elektronářadí nepoužívejte v prostředí s nižší než pokojovou teplotou, protože vibrace mohou mít větší efekt. Využijte hodnot uvedených v technických datech, abyste určili vhodnou délku práce a frekvenci práce s elektronářadím.

Úroveň hluku a vibrací byla změněna podle měřících metod normovaných v EN60745, příp. podobných mezinárodních standardů. Naměřené hodnoty odpovídají běžnému užití elektronářadí v běžných pracovních podmínkách. Špatně udržované, nesprávně složené nebo špatně používané nářadí může vytvářet vyšší hladiny hluku i vibrací. www.osha.europa.eu nabízí informace o úrovni hluku a vibrací v pracovním prostředí; tyto informace mohou být užitečné pro hobby uživatele, kteří používají přístroj častěji.

Bezpečnostní opatření

UPOZORNĚNÍ! Když používáte elektronářadí, měli byste vždy uposlehnout bezpečnostních varování, abyste minimalizovali riziko požáru, úraz elektrickým proudem a/nebo vážné poranění. Přečtěte si všechna bezpečnostní varování a instrukce.

UPOZORNĚNÍ: Tento přístroj nesmí být používán osobami (včetně dětí) s tělesným nebo mentálním poškozením. Dále ho nesmí používat osoby s minimem zkušeností nebo znalostí, pokud na ně nedohlíží osoba zodpovědná za bezpečnost nebo jim nebyly předány instrukce k obsluze přístroje. Děti musí být seznámeny s tím, že si s tímto přístrojem nesmí hrát.

POZOR: Elektronářadí a příslušenství použijte dle tohoto návodu; berte přitom v úvahu podmínky na pracovišti a práci, kterou vykonáváte. Použití elektronářadí pro práce odlišné od těch, ke kterým je elektronářadí určeno, může způsobit nebezpečné situace.

Výrazem "elektronářadí" zmiňovaným v bezpečnostních opatřeních se rozumí zařízení používané v elektrické síti (se síťovým kabelem) a nebo zařízení, které využívá bateriový pohon (bez síťového kabelu).

1 - Udržujte pracovní místo čisté a dobře osvětlené - nepořádek nebo neosvětlené pracovní místo může vést k úrazům

2 - Zvažte, kde nářadí použijete

- Nevystavujte nářadí dešti

- Nepoužívejte nářadí ve vlhkém prostředí

- Pracovní plochu mějte dobře osvětlenou

- Nepoužívejte elektronářadí v prostředí ohroženém explozí, kde se nacházejí hořlavé kapaliny nebo plyny

3 - Chraňte se před úrazem elektrickým proudem - vyhněte se tělesnému kontaktu s uzemněnými povrchy jako je potrubí, topná tělesa, sporáky a chladničky

4 - Ostatní osoby by se měly nacházet v dostatečné vzdálenosti - nenechte přihlížející osoby, zvláště děti, dotýkat se kabelů a udržujte je v dostatečné vzdálenosti od pracovního místa

5 - Nepotřebné nářadí uklíďte - pokud nářadí nepoužíváte, mělo by být skladováno na suchém a uzamčeném místě, mimo dosah dětí

6 - Na nářadí netlačte - práci zvládne lépe a bezpečněji v rychlosti, která je doporučena

7 - Používejte správné nářadí - nepoužívejte malé nářadí na práci, kterou lépe zvládne výkonnější nářadí. Nářadí nepoužívejte na práci, pro kterou není určeno; např. nepoužívejte okružní pilu na řezání větví nebo polen

8 - Používejte vhodný oděv

- Nenoste žádný volný oděv nebo šperky, které mohou být zachyceny pohyblivými se díly

- Pokud pracujete venku, noste vhodnou bezpečnostní obuv

- Noste pokrývku hlavy, která schová dlouhé vlasy

9 - Používejte ochranné pomůcky

- Používejte ochranné brýle

- Používejte respirátor nebo masku proti prachu, pokud pracujete v prašném prostředí

VAROVÁNÍ: Nosení ochranných pracovních pomůcek nebo vhodného oblečení může způsobit poranění nebo zvýšit pravděpodobnost úrazu

10 - Připojte odsávací vybavení - pokud je nářadí vybaveno připojením odsávacího systému nebo sběrným vybavením, ujistěte se, že je správně připojeno a používáno

11 - Dbějte na účel kabelu - nepoužívejte jej k vytažení zástrčky ze zásuvky. Udržujte kabel daleko od tepla, oleje, ostrých hran nebo pohyblivých dílů stroje. Poškozené nebo spletené kabely zvyšují riziko zásahu elektrickým proudem

12 - Bezpečná práce - kdykoliv je to možné, používejte svěrky nebo svérák pro držení materiálu. Je to bezpečnější, než materiál držet rukou

13 - Nenaklánejte se příliš - stůjte ve správné poloze a vždy držte rovnováhu

14 - S nářadím zacházejte svědomitě

- Řezné nástroje udržujte ostré a čisté - pečlivě ošetřované řezné nástroje s ostrými řeznými hranami se méně vzpíčkují a snadněji se vedou

- Dodržujte pokyny týkající se mazání a výměny příslušenství

- Pravidelně kontrolujte přívodní kabel, a pokud je poškozený, nechejte ho opravit v autorizovaném servisním centru

- Prodlužovací kabely pravidelně kontrolujte, a pokud jsou poškozené, vyměňte je

- Rukojeti udržujte suché, čisté a beze stop oleje nebo mastnoty

VAROVÁNÍ: Mnoho úrazů je způsobeno nářadím, se kterým není svědomitě zacházeno

15 - Nářadí odpojujte ze sítě - pokud nářadí nepoužíváte, při úpravách nebo výměně příslušenství jako jsou nože, bity a kotoúče, nářadí vždy vypněte ze sítě

VAROVÁNÍ: Použití příslušenství, které není doporučeno výrobcem, může způsobit riziko poranění oso

16 - Odstraňte seřizovací klíče - vytvořte si zvyk, že před spuštěním nářadí vždy zkontrolujete, že jsou všechny seřizovací klíče a jiné nářadí z nářadí odstraněny

17 - Zabraňte neúmyslnému spuštění - ujistěte se, že spínač je v poloze vypnuti, když nářadí zapínáte do sítě nebo vkládáte baterie, když nářadí zvedáte nebo ho odnášíte

VAROVÁNÍ: Nezamýšlené spuštění nářadí může způsobit vážná poranění

18 - Používejte prodlužovací kabely určené pro použití venku - pokud nářadí používáte v exteriéru, používejte pouze prodlužovací kabely určené a označené pro venkovní použití. Použití kabelu pro venkovní použití snižuje riziko úrazu elektrickým proudem

19 - Buďte pozorní

- Dávejte pozor na to, co děláte, a přistupujte k práci s elektronářadím rozumně

- Nepoužívejte žádné elektronářadí, pokud jste unaveni nebo pod vlivem drog, alkoholu nebo léků

VAROVÁNÍ: Moment nepozornosti při použití elektronářadí může vést k vážným poraněním

20 - Kontrolujte poškozené díly

- Před použitím nářadí byste ho měli důkladně prohlédnout, abyste se ujistili, že nářadí funguje správně a zvládně zamýšlený úkol

- Zkontrolujte vyrovnání pohyblivých částí, zachytávání pohyblivých částí, poškození jednotlivých dílů, upevnění a všechny další podmínky, které mohou ovlivnit provoz nářadí

- Ochranný kryt nebo jiné části, které jsou poškozeny, by měly být řádně opraveny nebo vyměněny v autorizovaném servisním středisku, pokud není uvedeno jinak v tomto návodu k obsluze

- Vadné spínače nechejte vyměnit v autorizovaném servisním středisku

VAROVÁNÍ: Nepoužívejte nářadí, pokud spínač nářadí nevypne a nezapne. Spínač musí být opraven, než nářadí budete používat

21 - Nechte vaše elektronářadí opravit pouze certifikovaným odborním personálem - tím bude zajištěno, že bezpečnost stroje zůstane zachována. Opravy by měl provádět pouze odborník, jinak může dojít k ohrožení pracovníka

VAROVÁNÍ: Pokud se nářadí opravuje, používejte pouze originální náhradní díly

VAROVÁNÍ: Pokud je přívodní kabel poškozen, musí být vyměněn výrobcem nebo autorizovaným servisním střediskem

22 - Připojovací zástrčka elektronářadí musí odpovídat zásuvce

- zástrčka nesmí být žádným způsobem upravována. Společně s elektronářadím s ochranným uzemněním nepoužívejte žádné adaptérové zástrčky. Neupravené zástrčky a vhodné zásuvky snižují pravděpodobnost úrazu elektrickým proudem

23 - Pokud nářadí používáte v exteriéru, používejte proudový chránič (RCD) - použití proudového chráničce snižuje riziko úrazu elektrickým proudem

Poznámka: Termín „proudový chránič (RCD)“ může být nahrazen termínem „proudová pojistka (GFCI) nebo „vypínač zemních unikajících proudů (ELCB)“

VAROVÁNÍ: Pro použití v Austrálii a na Novém Zélandu doporučujeme, aby byl tento výrobek VŽDY dodáván společně s proudovým chráničem se zbytkovým proudem 30mA nebo méně.

VAROVÁNÍ: Před připojením nářadí k napájení (síťová zásuvka, průmyslová zásuvka atd.) se ujistěte, že napájecí napětí je stejné, jako je uvedeno na typovém štítku nářadí. Napájecí zdroj s vyšším napětím, než je uvedeno na nářadí, může vést k vážnému poranění uživatele a poškození nářadí. Máte-li pochybnosti, nepřipojujte nářadí. Použití napájecího zdroje s napětím nižším než je uvedeno na štítku, poškozuje motor.

Polarizované zástrčky (pouze pro Severní Ameriku). Pro snížení rizika úrazu elektrickým proudem má toto zařízení polarizované zástrčky (jeden kolík je širší než druhý). Tato zástrčka pasuje do polarizované zásuvky pouze jedním způsobem. Pokud zástrčka do zásuvky nepasuje, otočte zástrčku. Pokud to stále nepasuje, obraťte se na kvalifikovaného elektrikáře, aby na instaloval správnou zásuvku. V žádném případě zástrčku neměňte.

Bezpečnostní upozornění pro dvoukotoučové brusky



VAROVÁNÍ!

- **Elektronářadí držte pouze za izolované části, protože brusný kotouč se může dostat do kontaktu s kabelem nářadí.** *Proříznutí „živého“ kabelu může způsobit, že kovové části elektronářadí se stanou také živými a mohou způsobit pracovníkovi úraz elektrickým proudem.*
- **Nářadí patří do kategorie 1 (uzemněné) a má 3-žilový kabel a ochrannou masku proti prachu.** *NENOSTE volně oblečení. ODSTRANĚTE šperky a stáhnete si volné vlasy. Při práci NEJEZTE, NEPIJTE, NEKUŘTE. Nářadí držte mimo dosah dětí*
- **Důrazně se doporučuje, aby byl nástroj vždy používán s proudovým chráničem s jmenovitým zbytkovým proudem 30 mA nebo méně.**

- a) **Noste vhodné ochranné pomůcky, jako jsou ochranné brýle a ochranná maska proti prachu.** *NENOSTE volně oblečení. ODSTRANĚTE šperky a stáhnete si volné vlasy. Při práci NEJEZTE, NEPIJTE, NEKUŘTE. Nářadí držte mimo dosah dětí*
- b) **VŽDY zaujměte bezpečný postoj při práci s nářadím. NIKDY se nenaklánějte nad rotující kotouče. VŽDY buďte připraveni na možný přetýhnutí náraz. V závislosti na orientaci a rotaci brusného kotouče může dojít k vytrhnutí opracovávaného materiálu z rukou nebo vymrštění materiálu směrem k vám**
- c) **Toto nářadí je určeno pro ostření nářadí a běžných domácích ostří. Není určeno pro broušení materiálů; stejně tak není možné používat nářadí k ostření materiálů ne běžně používaných pro výrobu ostří**
- d) **Ostření by měl provádět pouze zkušený pracovník, který je zbrhlý v procesu ostření i technik a je si vědom možného nebezpečí. Tento manuál pouze nastiňuje obecná použití nářadí. V žádném případě nemůže nahradit formální školení na opracovávání kovů a ostření nářadí**
- e) **Pokud si nejste jisti, jak správně nářadí použít pro bezpečné ostření nástrojů dle pravidel a nařízení, nářadí NEPOUŽÍVEJTE**
- f) **VŽDY dodržujte doporučení a postupy ostření a údržby od výrobce nářadí, které ostříte. Pokud jsou vám instrukce nejasné, vraťte nářadí k naostření výrobci**
- g) **NIKDY se nepokoušejte ostřit ostří, které není určeno k ostření. Některá ostří (např. některá ostří elektronářadí) je třeba vyměnit, pokud jsou tupé, opotřebené nebo zničené. Tato ostří NEMOHOU být ostřena a znovu použita**
- h) **Některá ostří ručního nářadí a elektronářadí se vyznačují komplexní geometrií. Pokud je takové ostří vhodné pro znovu naostření, může být naostřeno POUZE do původní geometrie. Takové ostří NIKDY neupravujte. Pokud si nejste jisti, jak ostří naostřit, nechejte ostří vyrobcem nebo vyškoleného technika**
- i) **Nářadí opracovávající kovy může být potenciálně nebezpečné, pokud není správně používáno. VŽDY respektujte obecná pravidla a nařízení, které se týkají provozu nářadí opracovávajícího kovy**

- j) **Vždy používejte SPRÁVNÉ příslušenství pro ostření specifického nářadí.** *Příslušenství nikdy neupravujte. Nepoužívejte příslušenství domácí výroby; nářadí neupravujte. Použití nářadí pro některé typy ostření nemusí být vhodné (a tak pro tento typ ostření nenajdete vhodné příslušenství). NEOSTRETE nástroje tak, že je bude pouze držet v ruce*
- k) **Před KAŽDÝM použitím nářadí, kotouče, kola a příslušenství důkladně zkontrolujte.** *Použití poškozených brusných kotoučů je EXTRÉMNĚ NEBEZPEČNÉ a může způsobit VÁŽNĚ zranění pracovníkovi nebo okolo stojícím lidem*
- l) **Brusné kotouče musí být udržovány v bezvadném stavu a s HLADKÝM povrchem.** *Použijte brousek nebo srovnávací nářadí pokud je povrch nerovný*
- m) **Ujistěte, že napájecí obvod vyhovuje požadavkům tohoto nářadí na uzemnění.** *Elektronářadí nikdy nepřipojujte bez řádného uzemnění nebo k nechráněným zásuvkám bez jističe nebo pojistek. Pokud si nejste jisti, jak nářadí bezpečně zapojit, vždy kontaktujte kvalifikovaného elektrikáře. Nevhodné nebo poškozené elektrické zásuvky mohou způsobit úraz proudem, požár a poškození nářadí*

Popis dílů

1. Kožený honovací kotouč
2. Vertikální otvory pro podpěrné rameno
3. Kolečko zámku
4. Spínač
5. Zásobník na vodu
6. Brusný kotouč
7. Kovová příruba (2x)
8. Zámková matice
9. Horizontální otvory pro podpěrné rameno
10. Kolečko úpravy točivého momentu

Součástí balení je toto příslušenství:

11. Podpěrné rameno
12. Nastavovač výšky podpěrného ramene
13. Vodicí pouzdro pro ostré hrany
14. Brousek
15. Brusná pasta
16. Klíč 19 mm
17. Uhelník

Doporučené použití

Nizko-rychlostní nářadí; systém využívající tzv. ostření mokrým kamenem a honovací (lešticí) kotouč. Ostření je vhodné pro celou škálu nářadí i ostří díky použití speciálních vodicích pouzder (volitelné příslušenství).

Vybalení vašeho nářadí

- Nářadí opatrně vybalte a zkontrolujte. Seznamte se se všemi jeho vlastnostmi a funkcemi.
- Ujistěte se, že v balení byly všechny díly a že jsou v pořádku. Pokud bude nějaký díl chybět nebo bude poškozen, nechejte si tyto díly vyměnit předtím, než s nářadím začnete pracovat.

Před použitím

Přípevněte brusného kotouče a zásobníku na vodu

1. Přípevněte kovovou přírubu (7) na hřídel – profilími směrem ven od těla nářadí
2. Brusný kotouč (6) umístěte volně na hřídel – strana brusného kotouče se zapuštěnou středovou částí míří směrem ven od těla nářadí (viz obrázek)
3. Přípevněte zásobník na vodu (5). Brusný kotouč musí volně rotovat a zároveň se nořit do vody (kotouč musí být pod značkou max. vodní hladiny, jak je vyznačeno na zásobníku)

4. Druhou kovovou přírubu (7) připevněte na hřídel – profil míří do brusného kotouče
 5. Utáhněte zámkovou matici (8). Použijte klíč (16) pro pevné utáhnutí
- Poznámka:** Hřídel má opačný závit, matici točte proti směru hodinových ručiček pro utažení
6. Několikrát rukou otočte brusným kotoučem, abyste se ujistili, že se volně pohybuje

Kežený honovací kotouč

1. Nářadí je vybaveno připevněným keženým honovacím kotoučem (1)
2. Před použitím se ujistěte, že je honovací kotouč pevně připevněn
3. Otočte kolečkem zámků (3) ve směru hodinových ručiček pro utažení

Poznámka: Utažujte pouze rukou

Umístění nářadí

- Nářadí umístěte na stabilní pracovní rovinu – všechny čtyři nohy musí být na rovině

Poznámka: Toto nářadí má čtyři gumové nohy pro snížení vibrací. Umístěte nářadí na takovou pracovní plochu, která vibrace nezesiluje nebo neznásobuje.

- Ujistěte se, že pracovní místo máte dostatečně osvětlené, abyste dobře viděli na práci. Také byste měli mít okolo nářadí dostatek prostoru bez překážek

Naplnění zásobníku na vodu

1. Naplňte zásobník (5) čistou studenou vodou až po značku „MAX WATER LEVEL“, která je umístěna na boku zásobníku
2. Během provozu brusky se ujistěte, že je v zásobníku stále dostatek vody, aby byl povrch brusného kotouče (6) stále vlhký

Nastartování hnacího systému

1. Utáhněte kolečko úpravy točivého momentu (10) otáčením po směru hodinových ručiček, dokud nebude pevně utažené proti tělu nářadí. Tím nastartujete hnací systém
2. Po skončení práce kolečko (10) vždy povolte. Tím zajistíte, že brusný kotouč bude ve správném tvaru

Použití brusku

Použijte brousek (14), abyste upravili povrch brusného kotouče pro jemné nebo hrubé broušení:

Hrubé broušení – pro odstranění většího množství materiálu rychleji (např. vytvarování ostří):

- Přiložte hrubou část brusku k brusnému kotouči, abyste zdrsnilli povrch

Jemné broušení – pro ostření čepelí:

- Přiložte jemnou část brusku k brusnému kotouči, abyste zjemnili povrch brusného kotouče; ideální pro ostření ostří a pro přípravu a vyleštění ostří na honovacím kotouči

Použití vodícího pouzdra pro ostré hrany

Určeno pro použití s podpěrným ramenem (11) a úhelníkem (17) pro nastavení přesného úhlu pro ostření

1. Uvolněte knoflíky na vodícím pouzdru (13)
2. Vložte ostří do vodícího pouzdra tak, aby jedna hrana ostří byla umístěna proti zarážkám (viz. obrázek A)
3. Utáhněte knoflíky, abyste upevnili ostří

Použití podpěrného ramene

Podpěrné rameno (11) může být použito pro broušení ve směru anebo proti směru rotace brusného kotouče

Pro broušení proti směru rotace kotouče:

1. Umístěte podpěrné rameno (11) do vertikálních otvorů (2) – obrázek B

Pro broušení a honování ve směru rotace kotouče:

1. Umístěte podpěrné rameno (11) do horizontálních otvorů (9) – obrázek C

VAROVÁNÍ: Honování je možné provádět POUZE VE SMĚRU rotace kotouče

- Opracování materiálu proti směru rotace kotouče odstraňuje větší množství materiálu rychleji, než když pracujete po směru rotace kotouče
- Opracování materiálu ve směru rotace kotouče je vhodné, když potřebujete naostřit jemně nástroje a pro vyhlazení povrchu ostří honováním
- Naučení se správnému postupu chce čas – je třeba vyzkoušet postup na různých typech a velikostech ostří. Správný ostřicí úhel zajistí, že ostří bude ostré rovnoměrně
- Obecný postup pro ostření je tento: upevněte podpěrné rameno do vertikálních otvorů a ostřete proti směru rotace
- NIKDY neupevňujte podpěrné rameno do vertikálních otvorů, když používáte honovací kotouč. Pokud byste honovali ostří proti směru rotace, způsobíte vážné poškození honovacímu kotouči

Použití úhelníku

- Úhelník (17) použijte pro nastavení přesného úhlu ostření ostří (viz. obrázek D)

1. Připevněte ostří do vodícího pouzdra pro ostré hrany (13) a umístěte podpěrné rameno do otvorů
2. Použijte měřítko umístěné na vnější straně pro nastavení úhlu sklonu ostření
3. Uvolněte zamykací knoflík na úhelníku a upravte úhломěr tak, aby černé šipky odpovídaly průměru brusného kotouče (viz. obrázek E)
4. Poté nastavte šipku na úhelníku na požadovaný úhel sklonu (měřeno v kroku 2) a utáhněte pro uzamčení v pozici (viz. obrázek E)
5. Připevněte vodící pouzdro pro ostré hrany do podpěrného ramene tak, aby ostří spočívalo na brusném kotouči
6. Umístěte zvlněnou spodní stranu úhelníku na brusný kotouč a rovnou stranu úhelníku na ostří, které chcete ostřit (viz. obrázek F)
7. Použijte nastavovač výšky (12) vodícího ramene pro nastavení výšky – rovná strana úhelníku musí bezvadně přiléhat k ostří
8. Nyní je úhel ostření správně nastaven

Použití

Důležité bezpečnostní pokyny:

- Nikdy nepoužívejte toto nářadí bez osobních ochranných pomůcek, jako jsou chráněcí oči a obličje nebo maska proti prachu
- Noste ochranné rukavice (s ochranou proti proříznutí) a s ostřím vždy zacházejte opatrně
- NEZKOUŠEJTE ostrost ostří na svém prstu (nebo jiné části těla)
- Brusný kotouč a honovací kotouč rotují ve směru vyznačeném šipkou na horní straně nářadí (kousek od horizontálních otvorů)
- Ujistěte se, že zásobník na vodu je správně přichycen a naplněn dostatečným množstvím vody, než započnete práci. V pravidelných intervalech kontrolujte stav vody, příp. ji doplňte, je-li to třeba. NIKDY neostřete ostří, pokud je brusný kámen suchý; může to být nebezpečné
- Rukou se ujistěte, že povrch brusného kotouče je rovný a dostatečně zrnitý pro požadovanou práci
- Zkontrolujte, že brusný kotouč volně rotuje, než započnete práci
- Po výměně brusného kotouče ho nechejte několik minut rotovat. Vždy stůjte vedle nářadí

Zapnutí a vypnutí nářadí

1. Ujistěte se, že spínač (4) je v pozici vypnutu „0“
2. Zapojte nářadí do elektrické sítě
3. Pro zapnutí nářadí zmáčknete spínač do polohy zapnutu „I“
4. Pro vypnutí nářadí zmáčknete spínač do polohy vypnutu „0“
5. Nářadí vypojte z elektrické sítě, pokud ho již nebudete používat

Ostření ostří

- Ostří jemně přitlačte k brusnému kotouči
- Vodícím pouzdrům pohybuje jemně vpřed a vzad, abyste dosáhli hladkého ostří a rovnoměrného zbrusnění brusného kotouče
- Netlačte příliš. Lehký tlak je vše, co je třeba pro ostření

Ostření bez vodícího pouzdra pro ostré hrany

- Pokud je ostří příliš velké na to, aby ho bylo možné připevnit do vodícího pouzdra, můžete k nářadí připevnit podpěrné rameno (11) a opracovávaný materiál položit na něj. Ostří musí mířit směrem od vás. To vám pomůže držet ostří pevně a v úhlu, který požadujete
- Ostřím pohybujte jemně vpřed a vzad, abyste dosáhli hladkého ostří a rovnoměrného zbrusušení brusného kotouče

Poznámka: U vašeho dodavatele Triton je k dispozici příslušenství pro ostření – např. Rozšíření podpěrného ramene (TWSSAE) a vodící pouzdra pro specifické nástroje, jako je např. Vodící pouzdro pro dlouhé nože (TWSLKJ). Důrazně doporučujeme vždy používat vhodná vodící pouzdra, pokud ostříte s tímto nářadím

Vyhazení ostří

- Po naostření použijte kožený honovací kotouč pro odstranění mikrotřepů vzniklých při ostření a pro vyhazení ostří

VAROVÁNÍ: Vždy honujte ve směru rotace kotouče. NIKDY nehonujte proti směru rotace honovacího kotouče

1. Před prováděním jakýchkoliv úprav se ujistěte, že nářadí je vypojeno z elektrické sítě
2. Připevněte podpěrné rameno (11) a vodící pouzdro (viz. obrázek C). Použijte úhelník pro nastavení úhlu sklonu ostří
3. Použijte dostatečné množství brusné pasty (15) přímo na kožený honovací kotouč (1). Rotace kotouče rozprostře pastu po celém kotouči
4. Nářadí zapněte a ostří přiložte k honovacímu kotouči. Ujistěte se, že vždy alespoň polovina šířky honovacího kotouče se dotýká ostří
5. Ponechte honovací kotouč rotovat, aby se ostří vyhladilo. Netlačte příliš
6. Podobně jako při ostření, vodícím pouzdrům pohybujte jemně podél podpěrného ramene, abyste rovnoměrného zbrusušení honovacího kotouče
7. NEHONUJTE bez brusné pasty na kotouči. Pokud leštíte větší množství ostří, bude třeba brusnou pastu doplnit. Nářadí vypněte, teprve pak doplňujte brusnou pastu

Honování bez vodícího pouzdra pro ostré hrany

- Pokud je ostří příliš velké na to, aby ho bylo možné připevnit do vodícího pouzdra, můžete k nářadí připevnit podpěrné rameno (11) a opracovávaný materiál položit na něj. Ostří musí mířit směrem od vás. To vám pomůže držet ostří pevně a v úhlu, který požadujete
- Ostřím pohybujte jemně vpřed a vzad, abyste dosáhli hladkého a rovnoměrného vyleštění ostří

Odstranění technických značek

- Výrobní proces někdy ponechává technické značky na povrchu ostří
- Můžete je odstranit tím, že přiložíte stranu ostří se značkami k boční straně brusného kotouče
- Přiblížte se s ostřím k brusnému kotouči. Netlačte příliš, dávejte pozor, aby vaše prsty nepřišly do kontaktu s brusným kotoučem
- Nejdříve odstraňte značky, pak teprve ostřete ostří

Dokončení práce

1. Odpojte hnací systém tím, že uvolníte kolečko úpravy točivého momentu (10). Tímto zajistíte, že kotouč zůstane v perfektním stavu
2. Vyprázdněte zásobník na vodu

VAROVÁNÍ: NIKDY nenechávejte brusný kámen ponořený ve vodě

Příslušenství

- U vašeho dodavatele Triton je k dispozici celá škála příslušenství, včetně několika speciálních vodících pouzder pro ostření:
- Vodící pouzdro pro řezbářské nástroje (TWSCTJ)
- Vodící pouzdro pro dřáta (TWSGTJ)
- Vodící pouzdro pro nůžky (TWSJ)
- Vodící pouzdro pro dlouhé nože (TWSLKJ)
- Vodící pouzdro pro hoblíky (TWSPCJ)
- Vodící pouzdro pro rovný okraj (TWSSEJ)
- Prodloužení podpěrného ramene (TWSSAE)
- Opěra pro nářadí (TWSTR)
- Úhelník (TWSGAJ)
- Brousek (TWSG)
- Diamantový nástroj na obnovu povrchu brusného kotouče (TWSDDT)
- Ochranný kryt na nářadí (TWSWSC)
- Leštička kovu (TWSMP)
- Výměnné brusné a honovací kotouče jsou k dispozici u vašeho dodavatele Triton; originální náhradní díly si můžete objednat na toolsparsonline.com

Údržba

Běžná kontrola

- Pravidelně kontrolujte, že upevňovací šrouby jsou pevně utažené. Vibrace mohou způsobit jejich uvolnění
- Pravidelně kontrolujte přívodní kabel – před samotným použitím nářadí. Opravu poškozeného kabelu provádí certifikované servisní středisko Triton. Kontrolujte i stav prodlužovacích kabelů, které společně s tímto nářadím používáte

Čištění

- Udržujte vaše nářadí v čistém stavu. Prach a špína mohou způsobit, že se vnitřní součástky rychleji opotřebují, a tím dojde ke zkrácení doby životnosti nářadí. Tělo nářadí čistěte jemným kartáčkem nebo hadříkem. Pokud máte k dispozici stlačený vzduch, použijte ho pro vyčištění ventilačních otvorů

Údržba brusného kotouče

- Nepoužívejte poškozený brusný kotouč, zvláště pokud je poškozený ze strany
- Poškozený kotouč okamžitě vyměňte
- Dbejte o údržbu hladkého povrchu. Použijte Diamantový nástroj na obnovu povrchu brusného kotouče TWSDDT (k dispozici samostatně), pokud brusný kotouč vykazuje odštěpky a praskliny
- Viz. část „Připevnění brusného kotouče a zásobníku na vodu“ – pro připevnění kotouče

Poznámka: Hřídel má opačný závit, matici točte proti směru hodinových ručiček pro utažení.

Výměna koženého honovacího kotouče

Pokud je kožený honovací kotouč (1) opotřebený, je třeba ho vyměnit:

1. Odšroubujte kolečko úpravy točivého momentu (10) a vyjměte ho
2. Z hřídele odstraňte opotřebený honovací kotouč a na hřídel nasaďte nový kotouč
3. Nasaďte kolečko (10) a utáhněte

Poznámka: K utažení použijte pouze ruku

Skladování

- VŽDY vyprázdněte zásobník na vodu a vyčistěte nářadí
- NIKDY neskladujte nářadí s vlhkým nebo mokrým brusným kotoučem. Než nářadí zakryjete a uložíte na delší období, VŽDY se ujistěte, že brusný kotouč je suchý
- Toto nářadí skladujte v bezpečném, teplém a suchém, prostředí mimo dosah dětí

Likvidace

Vždy dbejte místních zákonů, pokud potřebujete přístroj zlikvidovat, protože již nefunguje a není možné ho opravit.

- Nevyhazujte elektronářadí nebo jiný elektroodpad (WEEE) do domovního odpadu
- V případě dotazů kontaktujte příslušný úřad pro bližší informace o likvidaci elektrozařízení

Záruka

Pro registraci záruky navštivte naše webové stránky www.tritontools.com a zadejte informace o výrobku.

Vaše údaje budou uloženy (pokud tuto možnost nezakážete) a budou vám zaslány novinky.

Vaše údaje neposkytneme žádné třetí straně.

Záznam o nákupu

Datum pořízení: ___ / ___ / ___

Model: TWSS10

Kupní doklad uschovejte jako potvrzení zakoupení výrobku

CE Prohlášení o shodě

Níže podepsaný: pan Darrell Morris

zplnomocněný: Triton Tools

prohlašuje, že

Výrobek číslo: 949257

Popis: Dvoukotoučová bruska

Byl uveden na trh ve shodě se základními požadavky a příslušnými ustanoveními následujících směrnic:

- Směrnice o bezpečnosti strojních zařízení 2006/42/EC
- Směrnice o technických požadavcích na výrobky z hlediska nízkého napětí 2006/95/EC
- Směrnice o technických požadavcích na výrobky z hlediska jejich elektromagnetické kompatibility 2004/108/EC
- Směrnice RoHS 2011/65/EU
- EN 61029-1:2009+A11:2010
- EN 61000-3-2:2006/+A1:2009/+A2:2009
- EN61000-3-3: 2013
- EN 55014-1:2006/+A1:2009/+A2:2011
- EN 55014-2: 1997/+A1:2001/+A2:2008
- EN 50581:2012

Pokud se během 3-letá ode dne nákupu objeví závada výrobku společnosti Triton Precision Power Tools, která byla způsobená vadou materiálu nebo vadným zpracováním, Triton opraví nebo vymění vadný díl zdarma.

Tato záruka se nevztahuje na výrobky, které budou používány pro komerční účely, a dále na poškození, které je způsobeno neodborným použitím nebo mechanickým poškozením výrobku.

* Registrované se během 30 dní od nákupu.

Změna podmínek vyhrazena.

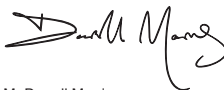
Těmito podmínkami nejsou dotčena vaše zákonná práva.

Notifikovaná osoba: Intertek

Technická dokumentace je uložena u: Triton Tools

Datum: 04/03/2015

Podpis:



Mr Darrell Morris

Výkonný ředitel

Jméno a adresa výrobce:

Powerbox International Limited, Company No. 06897059.

Registrovaná adresa: Central House, Church Street, Yeovil,

Somerset BA20 1HH, United Kingdom.

Preklad originálneho návodu

Ďakujeme za zakúpenie výrobku Triton. tento manuál obsahuje informácie nutné k bezpečnému používaniu a správne fungovaniu tohto výrobku. Tento výrobok ponúka mnoho jedinečných funkcií. Je možné, že ste už s podobným výrobkom pracovali, napriek tomu si však prečítajte tento manuál, aby ste naplno pochopili všetky inštrukcie. Uistite sa, že každý, kto s výrobkom pracuje, si tento manuál prečítal a porozumel mu.

Použitie symboly



Používajte chrániče sluchu
Používajte ochranné okuliare
Používajte respirátory
Používajte ochranu hlavy



Prečítajte si návod



V súlade s príslušnou legislatívou a bezpečnostnými štandardmi. (iba EU model)



Pozor!



Trieda ochrany I (uzemnenie)



Výhradne na vnútorné použitie!



Ochrana životného prostredia

Nevyhadzujte elektronáradie do domového odpadu. Zariadenie odovzdajte na recykláciu. V prípade otázok kontaktujte príslušný úrad alebo predajcu.



VAROVANIE: Tento výrobok je ťažký a z preventívnych dôvodov odporúčame, aby ho kompletovali dve osoby.

Technické informácie

Model:	TWSS10
Napätie:	220 V - 240 V~, 50 Hz, 120 W
Pohon:	Indukčný motor
Otáčky naprázdno:	125 min ⁻¹
Brusný kotúč:	Ø 250 x 50 mm
Honovací kotúč:	Ø 230 x 30 mm
Vnútorný priemer:	Ø 12 mm
Dĺžka prívodného kábla:	2 m
Trieda ochrany	
Rozmery (D x V x Š):	345 x 370 x 270 mm
Hmotnosť :	14,5 kg (32 liber)
Údaje o hluku	
Akustický tlak (L _{PA}):	86,2 dB (A)
Akustický výkon (L _{WA}):	99,2 dB (A)
Tolerancia:	3 dB

VAROVANIE: Ak hladina hluku presiahne 85 dB(A), vždy noste chrániče sluchu a obmedzte dobu práce s elektronáradiem. Pokiaľ sa hladina hluku stane nepríjemnou aj s chráničmi sluchu, ihneď prestaňte náradie používať. Skontrolujte, či máte chrániče sluchu správne pripnuté, aby mohli poskytovať potrebné zníženie hladiny hluku, ktoré elektronáradie vydáva.

VAROVANIE: Vystavenie sa vibráciám elektronáradia môže spôsobiť stratu vnímania dotyku, necitlivosť rúk, mravčenie a/alebo obmedzenú schopnosť úchopu. Dlhodobé vystavenie sa vibráciám môže tieto problémy zmeniť na chronický stav. Ak je treba, obmedzte čas, kedy ste vibráciám vystavení a používajte anti-vibračné rukavice. Elektronáradie nepoužívajte v prostredí s teplotou nižšou než je izbová teplota, pretože vibrácie môžu mať väčší efekt. Využite hodnoty uvedené v technických informáciách, aby ste určili vhodnú dobu práce a frekvenciu práce s elektronáradiem.

Úroveň hluku a vibrácií bola zameraná podľa meracích metód normovaných v EN60745, príp. podobných medzinárodných štandardov. Namerané hodnoty zodpovedajú bežnému používaniu elektronáradia v bežných pracovných podmienkach. Nevhodne udržiavané, nesprávne zložené alebo nesprávne používané náradie môže vytvárať vyššie hladiny hluku a vibrácií. www.osha.europa.eu ponúka informácie o úrovni hluku a vibrácií v pracovnom prostredí; tieto informácie môžu byť užitočné pre hobby používateľov, ktorí používajú prístroj častejšie.

Bezpečnostné opatrenia

UPOZORNENIE! Keď používate elektronáradie, mali by ste vždy poslúchnuť bezpečnostná varovania, aby ste minimalizovali riziko požiaru, úraz elektrickým prúdom a/alebo vážne poranenie. Prečítajte si všetky bezpečnostná varovania a inštrukcie.

UPOZORNENIE: Tento prístroj nesmie byť používaný osobami (vrátane detí) s telesným alebo mentálnym postihnutím. Ďalej ho nesmú používať osoby, ktoré majú nedostatok skúsenosti a znalosti, pokiaľ na ne nedohliada osoba zodpovedná za bezpečnosť alebo pokiaľ im neboli odovzdané inštrukcie na obsluhovanie zariadenia. Deti musia byť oboznámené s faktom, že sa s týmto prístrojom nesmú hrať.

POZOR: Elektronáradie a príslušenstvo používajte podľa tohto návodu; berte pritom do úvahy podmienky na pracovisku a prácu, ktorú vykonávate. Použitie elektronáradia pre práce odlišné od tých, ku ktorým je elektronáradie určené, môže spôsobiť nebezpečné situácie.

Pod výrazom „elektronáradie“ používaným v bezpečnostných opatreniach sa rozumie zariadenie zapojené do elektrickej siete (sieťového káblom) alebo zariadenie, ktoré využíva batériový pohon (bez sieťového kábla).

1 - Udržujte pracovisko čisté a dobre osvetlené - neporiadok alebo neosvetlené pracovné miesto môže viesť k úrazom

2 - Zvážte, kde náradie použijete

- Nevystavujte náradie dažďu
- Nepoužívajte náradie vo vlhkom prostredí
- Pracovnú plochu majte dobre osvetlenú
- Nepoužívajte elektronáradie v prostredí ohrozenom výbuchom, v ktorom sa nachádzajú horľavé kvapaliny alebo plyny

3 - Chráňte sa pred úrazom elektrickým prúdom - vyhnete sa telesnému kontaktu s uzemnenými povrchmi ako je potrubie, vykurovacie telesá, sporáky a chladničky

4 - Ostahé osoby by sa mali nachádzať v dostatočnej vzdialenosti - nenechajte prizerajúci osoby, najmä deti, dotýkať sa káblov a udržujte ich v dostatočnej vzdialenosti od pracovného miesta

5 - Nepotrebné náradie upracte - pokiaľ náradie nepoužívate, malo by byť skladované na suchom a uzamknutom mieste, mimo dosahu detí

6 - Na náradie netlačte - prácu zvládne lepšie a bezpečnejšie v rýchlosti, ktorá je odporúčaná

7 - Používajte správne náradie - nepoužívajte malé náradie na prácu, ktorú lepšie zvládne výkonnejšie náradie. Náradie nepoužívajte na prácu, pre ktorú nie je určené; napr. nepoužívajte okružnú pílu na rezanie konárov alebo polien

8 - Používajte vhodný odev

- Nenoste žiadny voľný odev alebo šperky, ktoré môžu byť zachytené pohybujúcimi sa dielmi

- Ak pracujete vonku, noste vhodnú bezpečnostnú obuv

- Noste pokrývku hlavy, ktorá schová dlhé vlasy

9 - Používajte ochranné pomôcky

- Používajte ochranné okuliare

- Používajte respirátor alebo masku proti prachu, ak pracujete v prašnom prostredí

VAROVANIE: nosenie ochranných pracovných pomôcok alebo vhodného oblečenia môže spôsobiť poranenie alebo zvýšiť pravdepodobnosť úrazu

10 - Pripojte odsávacie vybavenie - ak je náradie vybavené pripojením odsávacieho systému alebo zberným vybavením, uistite sa, že je správne pripojené a používané

11 - Dbajte na účel káblu - nepoužívajte ho na vytiahnutie zástrčky zo zásuvky. Udržujte kábel ďaleko od tepla, oleja, ostrých hrán alebo pohyblivých dielov stroja. Poškodené alebo spletené káble zvyšujú riziko zásahu elektrickým prúdom

12 - Bezpečná práca - kedykoľvek je to možné, používajte svorky alebo zverák pre držanie materiálu. Je to bezpečnejšie, než materiál držať rukami

13 - Neoprákajte sa príliš - stojte v správnej polohe a vždy držte rovnováhu

14 - S náradím zaobchádzajte svedomito

- Rezné nástroje udržiavajte ostré a čisté - starostlivo ošetrované

rezné nástroje s ostrými reznými hranami majú menšiu tendenciu k zablokovaniu a ľahšie sa veďú

- Dodržiavajte pokyny týkajúce sa mazania a výmeny príslušenstva
- Pravidelne kontrolujte prívodný kábel, a ak je poškodený, nechajte ho opraviť v autorizovanom servisnom centre
- Predĺžovacie káble pravidelne kontrolujte, a ak sú poškodené, vymeňte ich
- Rukoväte udržiavajte suché, čisté a bez stóp oleja alebo mastnoty

VAROVANIE: Veľa úrazov je spôsobené náradím, s ktorým nie je svedomito zaobchádzané

15 - Náradie odpájajte zo siete - pokiaľ náradie nepoužívate, pri úpravách alebo výmene príslušenstva ako sú nože, bity a kotúče, náradie vždy vypnite zo siete

VAROVANIE: Použitie príslušenstva, ktoré nie je odporúčané výrobcom, môže spôsobiť riziko poranenia osôb

16 - Odstráňte nastavovacie kľúče - vytvorte si zvyk, že pred spustením náradia vždy skontrolujete, že sú všetky nastavovacie kľúče a iné náradie z náradia odstránené

17 - Zabráňte neúmyselnému spusteniu - uistite sa, že spínač je v polohe vypnutu, keď náradie zapínate do siete alebo vkladáte batérie, keď náradie zdvíhate alebo ho odnášate

VAROVANIE: Nezamyšľané spustenie náradia môže spôsobiť vážne poranenie

18 - Používajte predĺžovacie káble určené na použitie vonku - pokiaľ náradie používate v exteriéri, používajte len predĺžovacie káble určené a označené pre vonkajšie použitie. Použitie kábla na vonkajšie použitie znižuje riziko úrazu elektrickým prúdom

19 - Buďte pozorní

- Dávajte pozor na to, čo robíte, a pristupujte k práci s elektrickým rozumne

- Nepoužívajte žiadne ručné elektrické náradie, ak ste unavení alebo pod vplyvom drogu, alkoholu alebo liekov

VAROVANIE: Moment nepozornosti pri používaní náradia môže viesť k vážnym poraneniam

20 - Kontrolujte poškodené diely

- Pred použitím náradia by ste ho mali dôkladne prezrieť, aby ste sa uistili, že náradie funguje správne a zvládne zamýšľanú úlohu

- Skontrolujte vyrovnanie pohyblivých častí, zachytávanie pohyblivých častí, poškodenie jednotlivých dielov, upevnenie a všetky ďalšie podmienky, ktoré môžu ovplyvniť prevádzku náradia

- Ochranný kryt alebo iné časti, ktoré sú poškodené, by mali byť riadne opravené alebo vymenené v autorizovanom servisnom stredisku, pokiaľ nie je uvedené inak v tomto návode na obsluhu

- Chybné spínače nechajte vymeniť v autorizovanom servisnom stredisku

VAROVANIE: Nepoužívajte náradie, ak sa spínač náradia nevypne a nezapne. Spínač musí byť opravený, než náradie budete používať

21 - Nechajte vaše elektronáradia opraviť iba certifikovaným odborným personálom - tým bude zabezpečené, že bezpečnosť náradia zostane zachovaná. Opravy by mal vykonávať iba odborník, inak môže dôjsť k ohrozeniu pracovníka

VAROVANIE: Ak sa náradie opravuje, používajte iba originálne náhradné diely

VAROVANIE: Ak je prívodný kábel poškodený, musí byť vymenený výrobcom alebo autorizovaným servisným strediskom

22 - Pripojovacia zástrčka elektronáradia musí zodpovedať zásuvke - zástrčka nesmie byť žiadnym spôsobom upravovaná. Spoločne s elektronáradiem s ochranným uzemnením nepoužívajte žiadne adaptéry. Neupravené zástrčky a vhodné zásuvky znižujú pravdepodobnosť úrazu elektrickým prúdom

23 - Ak náradie používate v exteriéri, používajte prúdový chránič (RCD) - použitie prúdového chrániča znižuje riziko úrazu elektrickým prúdom

Poznámka: Termín "prúdový chránič (RCD)" môže byť nahradený termínom "prúdová poistka (GFCI) alebo" vypínač zemných unikajúcich prúdov (ELCB) "

VAROVANIE: Pre použitie v Austrálii a na Novom Zélande odporúčame, aby bol tento výrobok VÝDY dodávaný spoločne s prúdovým chráničom so zvyškovým prúdom 30mA alebo menej.

VAROVANIE: Pred pripojením náradia k napájaniu (sieťová zásuvka, priemyselná zásuvka atď.) sa uistite, že napájacie napätie je rovnaké, ako je uvedené na typovom štítku náradia. Napájaci zdroj s vyšším napätím, ako je uvedené na náradie, môže viesť k vážnemu poraneniu užívateľa a poškodeniu náradia. Ak máte pochybnosti, nepripájajte náradie. Použitie napájacieho zdroja s napätím nižším ako je uvedené na štítku, poškodzuje motor.

Polarizované zástrčky (iba pre Severnú Ameriku). Pre zníženie rizika úrazu elektrickým prúdom má toto zariadenie polarizované zástrčky (jeden kolík je širší ako druhý). Táto zástrčka pasuje do polarizovanej zásuvky iba jedným spôsobom. Ak zástrčka do zásuvky nepasuje, otočte zástrčku. Ak to stále nepasuje, obráťte sa na kvalifikovaného elektrikára, aby na inštaloval správnu zásuvku. V žiadnom prípade zástrčku nemeňte.

Bezpečnostné upozornenie pre dvojkotúčové brúsky



VAROVANIE!

- Elektronáradie držte iba za izolované časti, pretože brúsny kotúč sa môže dostať do kontaktu s káblom náradia. Prerezanie "živého" kábla môže spôsobiť, že kovové časti elektrického náradia sa stanú tiež živými a môžu spôsobiť pracovníkovi úraz elektrickým prúdom.
 - Náradie patrí do kategórie 1 (uzemnené) a má 3-žilový kábel a zástrčku. Ak dôjde k poškodeniu kábla alebo zástrčky, náradie by malo opraviť certifikované servisné stredisko Triton, aby ste predišli možnému riziku.
 - Dôrazne sa odporúča, aby bol nástroj vždy používaný s prúdovým chráničom s menovitým zvyškovým prúdom 30 mA alebo menej.
- a) Noste vhodné ochranné pomôcky, ako sú ochranné okuliare a ochranná maska proti prachu. **NENOSTE** voľné oblečenie. **ODSTRÁŇTE** šperky a stiahnite si voľné vlasy. Pri práci **NEJEDZTE**, **NEPITE**, **NEFAJČITE**. Náradie držte mimo dosah detí
- b) **VŽDY** zaujmite bezpečný postoj pri práci s náradím. **NIKDY** sa nenakláňajte nad rotujúce kotúče. **VŽDY** buďte pripravení na možný spätný náraz. V závislosti na orientáciu a rotáciu brúsneho kotúča môže dôjsť k vytrhnutiu opracovávaného materiálu z rúk, alebo vymršteniu materiálu smerom k vám
- c) **Toto náradie je určené na ostrenie náradia a bežných domácich čepeli. Nie je určené na brúsenie materiálov; rovnako tak nie je možné používať náradie k ostreniu materiálov bežne používaných na výrobu čepeli**
- d) **Ostrenie by mal vykonávať iba skúsený pracovník, ktorý je zbehlý v procese ostrenia a technik a je si vedomí možného nebezpečenstva. Tento manuál iba načrtáva obecné použítie náradia. V žiadnom prípade nemôže nahradiť formálne školenie na opracovávanie kovov a ostrenie náradia**
- e) **Ak si nie ste istí, ako správne náradie použiť na bezpečné ostrenie nástrojov podľa pravidiel a nariadení, náradie NEPOUŽÍVAJTE**
- f) **VŽDY** dodržiajte odporúčenia a postupy ostrenia a údržby od výrobcu náradia, kotúče **ostríte**. *Pokiaľ sú vám inštrukcie nejasné, vráťte náradie k naostreniu výrobcovi*
- g) **NIKDY** sa nepokúšajte ostríť ostrié, ktoré nie je určené k ostreniu. Niektoré čepelce (napr. niektoré ostria elektronáradia) je nutné vymeniť, keď sú tupé, opotrebované alebo zničené. Tieto čepelce **NEMÔŽU** byť ostrené a znovu použité
- h) Niektoré ostria ručného náradia a elektronáradia sa vyznačujú komplexnou geometriou. *Ak je také ostrie vhodné k znovunaostreniu, môže byť naostrené IBA do pôvodnej geometrie. Také ostrie NIKDY neupravujte. Ak si nie ste istí, ako čepel' naostriť, nechajte ostrie naostriť výrobcu alebo vyskoleného technika*
- i) **Náradie opracovávajúce kovy môže byť potenciálne nebezpečné, ak nie je správne používané. VŽDY** rešpektujte obecné pravidlá a nariadenia, ktoré sa týkajú prevádzky náradia opracovávajúceho kovy
- j) **Vždy používajte SPRÁVNE príslušenstvo na ostrenie špecifického náradia. Príslušenstvo alebo zvierky neupravujte.**

*Nepoužívajte príslušenstvo domácej výroby; náradie neupravujte. Použitie náradia pre niektoré typy ostrenia nemusí byť vhodné (a tak pre tento typ ostrenia nenájdete vhodné príslušenstvo). **NEOSTRITE** nástroje tak, že ich budete iba držať v ruke*

- k) **Pred KAŽDÝM použitím náradia kotúče, kolesá a príslušenstvo dôkladne skontrolujte.** *Použitie poškodených brúsnych kotúčov je **EXTRÉMNE NEBEZPEČNE** a môže spôsobiť **VÁŽNE** zranenie pracovníkovi alebo okolostojiacim ľuďom*
- l) **Brúsne kotúče musia byť udržiavané v bezchybnom stave a s HLADKÝM povrchom.** *Použite brúsik alebo zrovnávacie náradie ak je povrch nerovný*
- m) **Uistite sa, že napájaci obvod vyhovuje požiadavkám tohto náradia na uzemnenie.** *Elektronáradie nikdy nepripojujte bez riadneho uzemnenia alebo k nechráneným zásuvkám bez ističa alebo poistiek. Ak si nie ste istí, ako náradie bezpečne zapojiť, vždy kontaktujte kvalifikovaného elektrikára. Nevhodné alebo poškodené elektrické zásuvky môžu spôsobiť úraz prúdom, požiar a poškodenie náradia*

Popis dielov

1. Kožený honovací kotúč
2. Vertikálne otvory pre oporné rameno
3. Kolesko zámku
4. Spínač
5. Zásobník na vodu
6. Brúsny kotúč
7. Kovová príručka (2x)
8. Zámková matica
9. Horizontálne otvory pre oporné rameno
10. Kolesko úpravy točivého momentu

Súčasť/ou balenia je toto príslušenstvo:

11. Oporné rameno
12. Nastavovač výšky oporného ramena
13. Vodiace puzdro na ostré hrany
14. Brúsik
15. Brúsna pasta
16. Kľúč 19 mm
17. Uholník

Odporúčané použitie

Nizko-rychlostné náradie; systém využívajúci tzv. ostrenie mokrým kameňom a honovací (leštiaci) kotúč. Ostrenie je vhodné pre celú škálu náradia a čepeli vďaka použitiu špeciálnych vodiacich puzdiel (voliteľné príslušenstvo).

Vybalenie vášho náradia

- Náradie opatrne vybalte a skontrolujte. Oboznámte sa so všetkými jeho vlastnosťami a funkciami.
- Uistite sa, že v balení boli všetky diely a že sú v poriadku. *Pokiaľ by niektorý diel chýbal alebo bol poškodený, nechajte si tento diel vymeniť pred tým, než s náradím začnete pracovať.*

Pred použitím

Pripevnenie brúsneho kotúča a zásobníku na vodu

1. Pripevnite kovovú príručku (7) na hriadeľ – profil mierí smerom von od tela náradia
2. Brúsny kotúč (6) umiestnite voľne na hriadeľ – strana brúsneho kotúča so zapustenou stredovou časťou mierí smerom von od tela náradia (viď obrázok)
3. Pripevnite zásobník na vodu (5). Brúsny kotúč musí voľne rotaovať a zároveň sa noriť do vody (kotúč musí byť pod značkou max. vodnej hladiny, ako je vyznačené na zásobníku)

4. Druhú kovovú prírubu (7) pripevnite na hriadeľ – profil mieri do brúsneho kotúča
 5. Uťahnite zámkovú maticu (8). Použite kľúč (16) na pevné uťahnutie
- Poznámka: Hriadeľ má opačný závit, maticu točte proti smeru hodinových ručičiek na uťahnutie
6. Niekoľkokrát rukou otočte brúsnym kotúčom, aby ste sa uistili, že sa voľne pohybuje

Kožený honovací kotúč

1. Náradie je vybavené pripevneným koženým honovacím kotúčom (1)
2. Pred použitím sa uistite, že je honovací kotúč pevne pripevnený
3. Otočte kolieskom zámkú (3) v smere hodinových ručičiek na uťahnutie

Poznámka: Uťahujte iba rukou

Umiestnenie náradia

- Náradie umiestnite na stabilnú pracovnú rovinu – všetky štyri nohy musia byť na rovine

Poznámka: Toto náradie má štyri gumové nohy na zníženie vibrácií. Umiestnite náradie na takú pracovnú plochu, ktorá vibrácie nezosilňuje alebo nezásobuje.

- Uistite sa, že pracovné miesto máte dostatočne osvetlené, aby ste dobre videli na prácu. Taktiež by ste mali mať okolo náradia dostatok priestoru bez prekážok

Naplnenie zásobníku na vodu

1. Naplňte zásobník (5) čistou studenou vodou až po značku „MAX WATER LEVEL“, ktorá je umiestnená na boku zásobníku
2. Počas prevádzky brúsky sa uistíte, že je v zásobníku stále dostatok vody, aby bol povrch brúsneho kotúča (6) stále vlhký

Naštartovanie hnacieho systému

1. Uťahnite koliesko úpravy točivého momentu (10) otáčaním v smere hodinových ručičiek, pokiaľ nebude pevne uťahnuté proti telu náradia. Tým naštartujete hnací systém
2. Po skončení práce koliesko (10) vždy povoľte. Tým zaistíte, že brúsný kotúč bude v správnom tvare

Použitie brúsika

Použite brúsik (14), aby ste upravili povrch brúsneho kotúča pre jemné alebo hrubé brúsenie:

Hrubé brúsenie – na odstránenie väčšieho množstva materiálu rýchlejšie (napr. vytvarovanie ostria):

- Priložte hrubú časť brúsika k brúsnemu kotúčom, aby ste zdrsnili povrch

Jemné brúsenie – na ostrenie čepeľi:

- Priložte jemnú časť brúsika k brúsnemu kotúčom, aby ste zjemnili povrch brúsneho kotúča; ideálne na ostrenie ostria a na prípravu a vyčistenie ostria na honovacom kotúči

Použitie vodiaceho puzdra na ostré hrany

Určené na použitie s oporným ramenom (11) a uholníkom (17) na nastavenie presného uhla ostrenia

1. Uvoľnite gombíky na vodiacom puzdre (13)
2. Vložte ostrie do vodiaceho puzdra tak, aby jedna hrana ostria bola umiestnená proti zarážkam (viď. obrázok A)
3. Uťahnite gombíky, aby ste upevnili ostrie

Použitie oporného ramena

Oporné rameno (11) môže byť použité na brúsenie v smere alebo proti smeru rotácie brúsneho kotúča

Na brúsenie proti smeru rotácie kotúča:

1. Umiestnite oporné rameno (11) do vertikálnych otvorov (2) - viď. obrázok B

Na brúsenie a honovanie v smere rotácie kotúča:

1. Umiestnite oporné rameno (11) do horizontálnych otvorov (9) - viď. obrázok C

VAROVANIE: Honovanie je možné vykonávať IBA V SMERE rotácie kotúča

- Opracovávanie materiálu proti smeru rotácie kotúča odstraňuje väčšie množstvo materiálu rýchlejšie, než keď pracujete v smere rotácie kotúča
- Opracovávanie materiálu v smere rotácie kotúča je vhodné, keď potrebujete naosťriť jemné nástroje a na vyhladenie povrchu ostria honovaním
- Naučenie sa správnomu postupu chce čas – je potrebné vyskúšať postup na rôznych typoch a veľkostiach ostria. Správny ostriaci uhol zaistí, že ostrie bude ostré rovnomerne
- Obecný postup na ostrenie je tento: upevnite oporné rameno do vertikálnych otvorov a ostriete proti smeru rotácie
- NIKDY neupevňujte oporné rameno do vertikálnych otvorov, keď používate honovací kotúč. Ak by ste honovali ostrie proti smeru rotácie, spôsobíte vážne poškodenie honovacieho kotúča

Použitie uholníku

- Uholník (17) použite na nastavenie presného uhla ostrenia čepele (viď. obrázok D)

1. Pripevnite ostrie do vodiaceho puzdra na ostré hrany (13) a umiestnite oporné rameno do otvorov
2. Použite meradlo umiestnené na vonkajšej strane na nastavenie uhla sklonu ostrenia
3. Uvoľnite zamykací gombík na uholníku a upravte uholmer tak, aby čierne šípky odpovedali priemeru brúsneho kotúča (viď. obrázok E)
4. Potom nastavte šípku na uholníku na požadovaný uhol sklonu (merané v kroku 2) a uťahnite na uzamknutie v pozícii (viď. obrázok E)
5. Pripevnite vodiace puzdro na ostré hrany do oporného ramena tak, aby ostrie spočívalo na brúsnom kotúči
6. Umiestnite zvlnenú spodnú stranu uholníka na brúsný kotúč a rovnú stranu uholníka na ostrie, ktoré chcete osťriť (viď. obrázok F)
7. Použite nastavovacú výšky (12) vodiaceho ramena na nastavenie výšky – rovná strana uholníka musí bezchybne priliehať k ostriu
8. Teraz je uhol ostrenia správne nastavený

Použitie

Dôležité bezpečnostné pokyny:

- Nikdy nepoužívajte toto náradie bez osobných ochranných pomôcok, ako sú chrániče očí a tváre alebo maska proti prachu
- Noste ochranné rukavice (s ochranou proti prerezaniu) a s ostrím vždy zachádzajte opatrne
- NESKÚŠAJTE ostrosť čepele na svojich prstoch (alebo inej časti tela)
- Brúsný kotúč a honovací kotúč rotujú v smere vyznačenom šípkou na hornej strane náradia (kúsok od horizontálnych otvorov)
- Uistite sa, že zásobník na vodu je správne prichytený a naplnený dostatočným množstvom vody, než započnete prácu. V pravidelných intervaloch kontrolujte stav vody, príp. ju doplňte, ak je to potrebné. NIKDY neostriete čepeľ, keď je brúsný kameň suchý; môže to byť nebezpečné
- Rukou sa uistite, že povrch brúsneho kotúča je rovný a dostatočne zrnitý na požadovanú prácu
- Skontrolujte, že brúsný kotúč voľne rotuje, než započnete prácu
- Po výmene brúsneho kotúča ho nechajte niekoľko minút rotovať. Vždy stojte vedľa nástroja

Zapnutie a vypnutie nástroja

1. Uistite sa, že spínač (4) je v pozícii vypnuté „0“
2. Zapojte nástroj do elektrickej siete
3. Pre zapnutie nástroja stlačte spínač do polohy zapnuté „I“
4. Pre vypnutie nástroja stlačte spínač do polohy vypnuté „0“
5. Nástroj vypojte z elektrickej siete, ak ho už nebudete používať

Ostrenie čepele

- Ostrie jemne priláťte k brúsnemu kotúčom
- Vodiacom puzdrom pohybujte jemne vpred a vzad, aby ste dosiahli hladkého ostria a rovnomerného zbrúsenia brúsneho kotúča
- Netlačte príliš. Lhký tlak je všetko, čo je potrebné na ostrenie

Ostrenie bez vodiaceho puzdra na ostré hrany

- Ak je čepeľ príliš veľká na to, aby ju bolo možné pripevniť do vodiaceho puzdra, môžete k nástroju pripevniť oporné rameno (11) a opracovávaný materiál položiť na neho. Ostrie musí mieriť smerom od vás. To vám pomôže držať ostrie pevne a v uhle, ktorý požadujete
- Čepeľou pohybujte jemne vpred a vzad, aby ste dosiahli hladkého ostria a rovnomerného zbrúsenia brúsneho kotúča

Poznámka: U vášho dodávateľa Triton je k dispozícii príslušenstvo na ostrenie – napr. Rozšírenie oporného ramena (TWSSAE) a vodiaceho puzdra na špecifické nástroje, ako je napr. Vodiace puzdro na dlhé nože (TWSLKJ). Dôrazne odporúčame vždy používať vhodné vodiace puzdra, keď ostríte s týmito náradím

Vyhľadanie ostria

- Po naostrení použite kožený honovací kotúč na odstránenie mikrostrapkov vzniknutých pri ostrení a na vyhladenie ostria

VAROVANIE: Vždy honujte v smere rotácie kotúča. NIKDY nehonujte proti smeru rotácie honovacieho kotúča

1. Pred vykonávaním akýchkoľvek úprav sa uistite, že nástroj je vypojený z elektrickej siete
2. Pripevnite oporné rameno (11) a vodiace puzdro (viď. obrázok C). Použite uholník na nastavenie uhlu sklonu ostria
3. Použite dostatočné množstvo brúsnej pasty (15) priamo na kožený honovací kotúč (1). Rotácia kotúča rozprestrí pastu po celom kotúči
4. Náradie zapnite a ostrie priložte k honovaciemu kotúču. Uistite sa, že sa vždy aspoň polovica šírky honovacieho kotúča dotýka ostria
5. Ponechajte honovací kotúč rotovať, aby sa ostrie vyhladilo. Netlačte príliš
6. Podobne, ako pri ostrení, vodiacim puzdrom pohybujte jemne pozdĺž oporného ramena, aby ste dosiahli rovnomerného zbrúsenia honovacieho kotúča
7. NEHONUJTE bez brúsnej pasty na kotúči. Ak leštíte väčšie množstvo ostria, bude nutné brúsnu pastu doplniť. Nástroj vypnite, až potom doplňte brúsnu pastu

Honovanie bez vodiaceho puzdra na ostré hrany

- Ak je ostrie príliš veľké na to, aby ho bolo možné pripevniť do vodiaceho puzdra, môžete k náradíu pripevniť oporné rameno (11) a opracovávaný materiál položiť na neho. Ostrie musí mieriť smerom od vás. To vám pomôže držať ostrie pevne a v uhle, ktorý požadujete
- Ostrím pohybujte jemne vpred a vzad, aby ste dosiahli hladkého a rovnomerného vyleštenia ostria

Odstránenie technických značiek

- Výrobný proces niekedy zanecháva technické značky na povrchu ostria
- Môžete ich odstrániť tak, že priložíte stranu ostria so značkami k bočnej strane brúsneho kotúča
- Priblížte sa s ostrím k brúsnemu kotúču. Netlačte príliš, dávajte pozor, aby vaše prsty neprišli do kontaktu s brúsnym kotúčom
- Najskôr odstráňte značky, až potom ostríte čepeľ

Dokončenie práce

1. Odpojte hnací systém tak, že uvoľníte koliesko úpravy točivého momentu (10). Tým zaistíte, že kotúč zostane v perfektnom stave
2. Vyprázdnite zásobník na vodu

VAROVANIE: NIKDY nenechávajte brúsnu kameň ponorený vo vode

Príslušenstvo

- U vášho dodávateľa Triton je k dispozícii celá škála príslušenstva, vrátane niekoľkých špeciálnych vodiacich púzdiar na ostrenie:
- Vodiace púzdro na rezbárske nástroje (TWSCTJ)
- Vodiace púzdro na dláta (TWSGTJ)
- Vodiace púzdro na nožnice (TWSJJ)
- Vodiace púzdro na dlhé nože (TWSLKJ)
- Vodiace púzdro na hoblíky (TWSPCJ)
- Vodiace púzdro pre rovný okraj (TWSSEJ)
- Predĺženie oporného ramena (TWSSAE)
- Opierka na náradie (TWSTR)
- Uholník (TWSGAJ)
- Brúsik (TWSGG)
- Diamantový nástroj na obnovenie povrchu brúsneho kotúča (TWSDDT)
- Ochranný kryt na náradie (TWSWSC)
- Leštička kovu (TWSMP)
- Výmenné brúsne a honovacie kotúče sú k dispozícii u vášho dodávateľa Triton; originálne náhradné diely si môžete objednať na toolsparsonline.com

Údržba

Bežná kontrola

- Pravidelne kontrolujte, že upevňovacie skrutky sú pevne utiahnuté. Vibrácie môžu spôsobiť ich uvoľnenie
- Pravidelne kontrolujte prívodný kábel – pred samotným použitím nástroja. Opravu poškodeného káblu vykonáva certifikované servisné stredisko Triton. Kontrolujte aj stav predlžovacích káblov, ktoré spoločne s týmito nástrojmi používate

Čistenie

- Udržujte vaše náradie v čistom stave. Prach a špina môžu spôsobiť, že sa vnútorné súčiastky rýchlejšie opotrebnú, a tým dôjde ku skráteniu doby životnosti náradia. Telo nástroja čistite jemnou kefkou alebo handričkou. Ak máte k dispozícii stlačený vzduch, použite ho na vyčistenie ventilačných otvorov

Údržba brúsneho kotúča

- Nepoužívajte poškodený brúsný kotúč, zvlášť ak je poškodený zo strany
- Poškodený kotúč okamžite vymeňte
- Dbajte o údržbu hladkého povrchu. Použite Diamantový nástroj na obnovenie povrchu brúsneho kotúča TWSDDT (k dispozícii samostatne), ak brúsný kotúč vykazuje odštiepy a praskliny
- Viď. časť „Pripevnenie brúsneho kotúča a zásobníka na vodu“ – na pripevnenie kotúča

Poznámka: Hriadeľ má opačný závit, maticu točte proti smeru hodinových ručičiek na utiahnutie.

Výmena koženého honovacieho kotúča

Ak je kožený honovací kotúč (1) opotrebovaný, je treba ho vymeniť:

1. Odskrutkujte koliesko úpravy točivého momentu (10) a vyberte ho
2. Z hriadeľa odstráňte opotrebovaný honovací kotúč a na hriadeľ nasadte nový kotúč
3. Nasadte koliesko (10) a utiahnite

Poznámka: K utiahnutiu použite iba ruku

Skladovanie

- VŽDY vyprázdňte zásobník na vodu a vyčistite nástroj
- NIKDY neskladujte nástroj s vlhkým alebo mokrým brúsnym kotúčom. Než nástroj zakryjete a uložíte na dlhšie obdobie, VŽDY sa uistite, že je brúsný kotúč suchý
- Toto náradie skladujte v bezpečnom, teplom a suchom prostredí, mimo dosah detí

Likvidácia

Elektronáradie, ktoré už nefunguje a nie je možné ho opraviť, zlikvidujte v súlade s legislatívou danej krajiny.

- Nevyhadzujte elektronáradie a elektroodpad do domového odpadu.
- V prípade otázok kontaktujte príslušný úrad.

Záruka

Na registráciu záruky navštívte naše webové stránky www.tritontools.com* a zadajte informácie o výrobku. Vaše údaje budú uložené (pokiaľ túto možnosť nezakážete) a budú vám zasielané novinky. Vaše údaje nebudú poskytnuté žiadnej tretej strane.

Záznam o nákupe

Dátum obstarania: ___ / ___ / ___

Model: TWSS10

Doklad o kúpe uschovajte ako potvrdenie o zakúpení výrobku.

Pokiaľ sa během 3-ročnej odo dňa nákupu objaví porucha výrobu spoločnosti Triton Precision Power Tools, ktorá bola spôsobená chybou materiálu alebo chybným spracovaním, Triton opraví alebo vymení chybný diel zdarma.

Tato záruka sa nevzťahuje na výrobky, ktoré budú používané na komerčné účely, a ďalej na poškodenie, ktoré je spôsobené neodborným použitím alebo mechanickým poškodením výrobku.

* Registrujte sa během 30 dní od nákupu. Zmena podmienok vyhradená. Týmito podmienkami nie sú dotknuté vaše zákonné práva.es

CE Prehlásenie o zhode

Dolu podpísaný: p. Darrell Morris

spĺnomocnený: Triton Tools

prehlasuje, že

Výrobok číslo: 949257

Popis: Brúska na nástroje

Boi uvedený na trh v súlade so základnými požiadavkami a príslušnými ustanoveniami nasledujúcich smerníc:

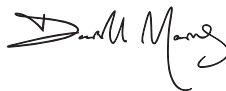
- Smernica o bezpečnosti strojných zariadení 2006/42/EC
- Smernica o technických požiadavkách na výrobky z hľadiska nízkeho napätia 2006/95/EC
- Smernica o technických požiadavkách na výrobky z hľadiska ich elektromagnetickej kompatibility 2004/108/EC
- Smernica RoHS 2011/65/EU
- EN 61029-1:2009+A11:2010
- EN 61000-3-2:2006/+A1:2009/+A2:2009
- EN61000-3-3: 2013
- EN 55014-1:2006/+A1:2009/+A2:2011
- EN 55014-2: 1997/+A1:2001/+A2:2008
- EN 50581:2012

Notifikovaná osoba: Intertek

Technická dokumentácia je uložená u: Triton Tools

Dátum: 04/03/2015

Podpis:



Mr Darrell Morris

Výkonný riaditeľ

Meno a adresa výrobcu:

Powerbox International Limited, Company No. 06897059.

Registrovaná adresa: Central House, Church Street, Yeovil,

Somerset BA20 1HH, United Kingdom.

Orijinal talimatların çevirisi

Bu TRITON el aletini satın aldığınız için teşekkür ederiz. Bu el kitabında bu ürünü güvenli ve yararlı şekilde kullanmak için gereken bilgiler bulunmaktadır. Bu ürünün kendine özgü özellikleri vardır ve benzer ürünleri yakından tanıyor olsanız bile talimatları tamamen anlayabilmeniz için bu el kitabını dikkatle okumanız gerekir. Bu el aletini kullanan herkesin bu el kitabını okuyup iyice öğrenmesini sağlarız.

Sembollerin açıklaması



İşitme koruyucu kullanın
Göz koruyucu kullanın
Solunma koruyucu kullanın
Baş koruyucu kullanın



Talimat kılavuzunu okuyun



İlgili mevzuata ve güvenlik standartlarına uygundur.
(yalnız AB modeli için)



Dikkat!



Sınıf I yapıda (koruyucu toprak)



Yalnız iç mekân kullanımı!



Çevre Koruması
Atık elektrikli ürünler evsel atıklar ile birlikte atılmamalıdır. Tesis bulunan yerlerde geri dönüştürün.
Geri dönüştürme tavsiyesi almak için yerel makamlar veya satıcı ile görüşün.



UYARI: Bu ürün ağırdır ve önlem olarak makineyi iki kişinin monte etmesi tavsiye edilir.

SPESİFİKASYON

Model No.:	TWSS10
Güç:	220 V - 240 V~, 50 Hz, 120 W
Tahrik:	İndüksiyon motoru
Yüksüz Hız:	125 dak ¹
Bileme taşı:	Ø 250 x 50 mm
Perdahlama çarkı:	Ø 230 x 30 mm
Delik boyutu:	Ø 12 mm
Elektrik kablosu boyu:	2 m
Koruma sınıfı:	⊕
Boyutlar (U x Y x G):	345 x 370 x 270 mm
Ağırlık:	14,5 kg (32 lb)
Ses düzeyi bilgileri:	
Ses Basıncı L _{PA} :	86,2 dB(A)
Ses gücü L _{WA} :	99,2 dB(A)
Belirsizlik K:	3 dB

UYARI: Ses düzeyinin 85 dB(A) değerini geçtiği yerlerde daima kulak koruyucu kullanın ve gerekirse maruz kalma süresini sınırlandırın. Kulak koruması kullanıldığı zaman bile ses düzeyleri rahatsız edici ise el aletini kullanmayı hemen bırakın ve kulak korumasının doğru takılıp takılmadığını ve el aletinizin ürettiği ses düzeyi için doğru miktarda ses zayıflatması sağlayıp sağlamadığını kontrol edin.

UYARI: Kullanıcının el aletinin titreşimine maruz kalması dokunma duyusunun kaybolmasına, uyuşmaya, karıncalanmaya ve tutma yeteneğinin azalmasına yol açabilir. Uzun süre maruz kalınması kronik bir duruma yol açabilir. Gerekli takdirde, titreşime maruz kalma süresini sınırlandırın ve titreşim önleyici eldiven kullanın. Titreşim tarafından daha çok etkileneceği için ellerinizin sıcaklığı normal rahat bir sıcaklığın altında olduğu zaman el aleti kullanmayın. Spesifikasyonda titreşim ile ilgili olarak verilmiş değerleri kullanarak el aletini çalıştırma süresini ve sıklığını hesaplayın.

Spesifikasyondaki ses ve titreşim düzeyleri EN60745 veya benzer uluslararası standartlara göre belirlenmiştir. Verilen değerler el aletinin normal çalışma koşullarında normal kullanımını temsil etmektedir. İyi bakım yapılmayan, yanlış monte edilmiş veya kötü kullanılan bir el aleti yüksek seviyelerde gürültü ve titreşim üretebilir. www.osha.europa.eu adresinde, konutların içinde uzun süreler boyunca el aletleri kullanan kişiler için yararlı olabilecek, iş yerindeki ses ve titreşim seviyeleri hakkında bilgi bulunmaktadır.

Genel güvenlik

UYARI! Elektrikli el aletlerini kullanırken yangın, elektrik çarpması ve yaralanma riskini azaltmak için aşağıdaki güvenlik bilgileri dâhil olmak üzere temel güvenlik kuralları daima izlenmelidir. Bu ürünü çalıştırmadan önce bu talimatların hepsini okuyun talimatları ileride kullanmak üzere saklayın.

UYARI: Fiziksel veya akılsal yetenek eksikliği bulunan (çocuklar dâhil) veya yeterli deneyimi ve bilgisi olmayan kişiler, kendilerinin güvenliğinden sorumlu bir kişi tarafından cihazın kullanımı için gözetim ve bilgi sağlanmadığı sürece bu cihazı kullanmamalıdır. Çocukların bu cihaz ile oynamasına dikkat edilmelidir.

DIKKAT: Elektrikli el aletini, aksesuarları ve kesici uçları, vb. çalışma koşullarını ve yapılacak işi dikkate alarak bu talimatlara göre kullanın. Elektrikli el aletinin amaçlanan dışında işlemler için kullanılması tehlikeli durumlar ortaya çıkarabilir.

Uyarılardaki "elektrikli el aleti" terimi elektrik şebekesinden çalışan (kablolu) elektrikli el aleti veya batarya ile çalışan (kablesiz) elektrikli el aleti anlamına gelmektedir.

1 - Çalışma alanını temiz tutun. Dağınık yerler veya iş tezgâhları yaralanmaları davet eder

2 - Çalışma alanı ortamına dikkat edin

- El aletlerini yağmura maruz bırakmayın
- Nemli veya ıslak yerlerde elektrikli el aletleri kullanmayın
- Çalışma alanını iyice aydınlatın

- Yanıcı sıvılar veya gazlar bulunan yerlerde elektrikli el aletleri kullanmayın

3 - Elektrik çarpmasına karşı koruma - Topraklı veya topraklanmış yüzeyler ile vücut temasından sakının (örneğin borular, radyatörler, fırınlar, soğutucular)

4 - Başka kişilerle uzakta tutun - İş ile ilgili olmayan kişilerin ve özellikle çocukların el aletine ve uzatma kablosuna dokunmasına izin vermeyin ev onarıları çalışma alanından uzak tutun

5 - Kullanılmayan el aletlerini saklayın - El aletleri kullanılmadığı zaman çocukların ulaşamayacağı şekilde kuru ve kilitli bir yerde saklanmalıdır

6 - El aletini zorlamayın. El aleti bir işi daha iyi ve daha güvenli şekilde ve gerçekleştirmek için tasarlandığı hızda yapar

7 - Doğru el aletini kullanın - Bir ağır hizmet aletinin işini yapmak için küçük el aletlerini zorlamayın

- El aletlerini amaçlanmadıkları işler için kullanmayın; örneğin ağaç dallarını veya kütükleri kesmek için daire testere kullanmayın

8 - Uygun giysi giyin

- Hareketli parçalara yakalanabilecek gevşek giysiler veya takı kullanmayın

- Dış mekânda çalışırken uygun güvenlik pabuçu tavsiye edilir.

- Uzun saçları toplamak için koruyucu örtü kullanın

9 - Koruyucu ekipman kullanın

- Güvenlik gözlüğü kullanın
- Çalışma koşulları toz ürettiği takdirde koruyucu yüz veya toz maskesi kullanın

UYARI: Koruyucu ekipman veya uygun giysi kullanılmaması yaralanmaya yol açabilir veya bir yaralanmanın ağırlığını artırabilir.

10 - Toz emiş ekipmanını bağlayın - El aletinde toz emme ve toplama için bir bağlantı bulunuyor ise bunların bağlanmasına ve doğru şekilde kullanılmasına dikkat edin

11 - Elektrik kablosunu yanlış kullanmayın - Elektrik kablosunu prizden çıkarmak için asla kablodan asılmayın. Elektrik kablosunu ısıdan, yağdan ve keskin kenarlardan uzak tutun. Hasarlı veya dolaşık elektrik kabloları elektrik çarpması riskini artırır

12 - İş parçasını sabitleyin - Olanaklı olduğu takdirde kelepçeler veya bir menegene kullanılarak iş parçasını sabit tutun. Elinizi kullanmaktan daha güvenlidir

13 - Çok fazla ileriye uzanmayın. Desteğinizizi ve dengeinizi daima uygun şekilde koruyun

14 - El aletlerine dikkatle bakım yapın

- Kesici aletleri keskin ve temiz bulundurun. El aletinin daha kolay kontrol edilmesini sağlar ve iş parçası içinde sıkışma olasılığını azaltır

- Yağlama ve aksesuar değiştirme talimatlarını izleyin

- El aletinin elektrik kablolarını periyodik olarak muayene edin ve hasar gördüğünü zaman yetkili bir servis tesisinde bunları tamir ettirin
- Uzatma kablolarını periyodik olarak muayene edin ve hasar gördüğünü zaman değiştirin

- Sapları kuru, temiz durumda tutun ve yağı ve gresi temizleyin

UYARI: Kazaların birçoğuna iyi bakım yapılmayan el aletleri neden olmaktadır.

15 - El aletlerini elektrikten ayırın - El aleti kullanılmadığı zaman, servisten önce ve biçak, delme ucu ve kesme ucu gibi aksesuarları değiştiren güç kaynağından ayırın

UYARI: Üretici tarafından tavsiye edilmiş olmayan aksesuarların veya ek parçaların kullanılması kişilerin yaralanması riskine yol açabilir.

16 - Ayarlamalar anahtarlarını ve kollarını çıkarın - El aletini çalıştırmadan önce kollarını ve ayar anahtarlarının çıkarılıp çıkarılmadığını kontrol etme alışkanlığı geliştirin

17 - İstenmeden çalıştırılmaması önleyin - Güç kaynağına bağlanmadan veya batarya paketini takmadan önce veya el aletini toplayıp taşımadan önce düğmenin kapalı olduğunu kontrol edin

UYARI: Bir el aletinin istenmeden çalışması ağır yaralanmalara yol açabilir.

18 - Dış mekân uzatma kabloları kullanın - El aleti dış mekânda kullanıldığında zaman yalnızca dış mekân kullanımını için amaçlanmış ve bu şekilde işaretlenmiş uzatma kabloları kullanın. Dış mekânda kullanıma uygun bir kablo kullanmak elektrik çarpması riskini azaltır

19 - Tetikle olun

- Yaptığınızı şeye dikkat edin, sağduyunuzu kullanın ve yorgun olduğunuz zaman el aletini kullanmayın

- İlaçların, alkolün veya bir tedavinin etkisinde olduğunuz zaman elektrikli alet kullanmayın

UYARI: Elektrikli alet kullanırken bir anlık dikkatsizlik ağır yaralanmaya yol açabilir.

20 - Hasarlı parçaları kontrol edin

- El aletini kullanmaya devam etmeden önce el aleti dikkatle kontrol edilerek düzgün çalışacağı ve işlerini yerine getireceği anlaşılmalıdır

- Hareketli parçaların hızasını, hareketli parçalardan sıkışma ve parçaların kırılma olup olmadığını, montaj şeklini ve el aletinin çalışmasını etkileyebilecek diğer tüm koşulları kontrol edin

- Hasarlı bir güvenlik muhafazası ve diğer parçalar bu talimat kılavuzunda aksi belirtilmediği sürece yetkili bir servis merkezi tarafından gereken şekilde tamir edilmesi veya değiştirilmelidir

- Arızalı düğmelerin yetkili bir servis merkezi tarafından değiştirilmesini sağlayın

UYARI: Açma/kapatma düğmesi el aletini açık kapatmadığı takdirde el aletini kullanmayın. El aleti kullanılmadan önce düğme tamir edilmelidir.

21 - El aletinin ehliyetli bir kişi tarafından tamir edilmesini sağlayın – Bu elektronik el aleti ilgili güvenlik kurallarına uygundur. Tamir işleri yalnızca ehliyetli kişiler tarafından yapılmalıdır aksi takdirde kullanıcı için önemli bir tehlike ortaya çıkabilir

UYARI: Servis yaparken yalnızca tamamen aynı yedek parçaları kullanın.

UYARI: Elektrik kablosu hasar gördüğü takdirde üretici veya yetkili bir servis merkezi tarafından değiştirilmelidir.

22 - Elektrikli el aleti şebeke fişi şebeke prizine uymalıdır – Fişi hiç bir şekilde değiştirilmediği ugratmayın. Topraklı (topraklanmış) elektrikli el aletleri ile hiç bir adaptör kullanmayın. Tadil edilmeyen fişler ve uygun prizler elektrik çarpması riskini azaltır

23 - Elektrikli bir el aletini dış mekânda kullanırken bir kaçak akım cihazı (RCD) kullanın. RCD kullanmak elektrik çarpması riskini azaltır

NOT: "Kaçak akım cihazı (RCD)" teriminin yerine "topraklama arızası devre kesici (GFCI)" terimi veya "toprak kaçağı devre kesici (ELCB)" terimi kullanılabılır.

UYARI: Avustralya'da veya Yeni Zelanda'da kullanıldığı zaman bu el aletine DAIMA 30 mA veya daha az nominal kaçak akım değerine sahip bir Kaçak Akım Cihazı (RCD) takılması tavsiye edilir.

UYARI: Bir el aletini bir güç kaynağına (şebeke şalteri elektrik prize, duvar prize, vb.) bağlamadan önce beslenen voltaj ile el aletinin künyesinde belirtilen voltajın aynı olduğunu kontrol edin. El aleti için belirtilen daha yüksek voltajdaki bir güç kaynağı kullanıcının ağır yaralanmasına ve el aletini zarar görmesine yol açabilir. Kuşku duyduğunuz takdirde el aletinin fişini takmayın. Künye değerinden daha düşük voltajda bir güç kaynağı kullanmak motor için zararlıdır.

Polarize Fişler (yalnız Kuzey Amerika için) Elektrik çarpması riskini azaltmak için bu cihazda polarize bir fiş bulunmaktadır (uçların birisi diğerinden daha geniştir). Bu fiş polarize bir prize yalnız tek yönde girer. Fiş prize tam olarak uymadığı takdirde fişi ters çevirin. Yine uymadığı takdirde ehliyetli bir elektrikleşen gerekli prize takmasını isteyin. Fişi hiçbir şekilde değiştirmeyin.

Sulu Bileme Taşı Güvenliği



UYARI!

- **Taşılama çarkı kendi kablosuna temas edebileceği için elektrikli el aletini yalnız yalıtımlı tutma yüzeylerinden tutun.** Elektrik bulunan bir telin kesilmesi elektrikli el aletinin açtıktaki parçalarını elektrikli duruma getirebilir ve operatörü elektrik çarparabilir.
- **Bu makine Sınıf 1 Kategoridedir (topraklı) ve 3 çekirdekli kablo ve fiş ile donatılmıştır.** Kablo veya fiş hasar gördüğü takdirde bir tehlike oluşmaması için ürüne yetkili bir Servis Merkezi tarafından servis yapılmalıdır.
- **Elektrikli el aletinin daima 30 mA veya daha düşük nominal akım akımı bir akım cihazı ile kullanılması önemle tavsiye edilir.**

- Uygun güvenlik gözlüğü ve soluma koruması dâhil olmak üzere uygun kişisel koruyucu donanım kullanın.** Bol giysiler GİYMEYİN. Takıları ÇIKARIN ve uzun saçları arkada bağlayın. Çalışma alanında yemeyin, içmeyin ve sigara içmeyin. Çocukları uzaktan tutun
- Bu makine ile çalışırken DAİMA sağlam şekilde durun.** Dönen çarkların üzerine ASLA yaslanmayın ve fazla uzanmayın. Geri tepmeye karşı koymak için DAİMA hazır bulunun. İş parçası, bileme çarkının yönüne ve dönüşüne bağlı olarak ellerinizde dışarıya doğru çökülebilir veya size doğru fırlatılabilir
- Bu makine el aletlerini ve evde kullanılan alışılmış alet bıçağı ağızlarını bilemek için tasarlanmıştır.** Başka tür taşılama işleri için amaçlandığı gibi el aleti bıçak ağızlarında yaygın şekilde kullanılan başka malzemeleri taşlamak için de kullanılmamalıdır
- Bileme işi yalnızca söz konusu işlemleri, gerekli teknikleri ve tehlikeleri bilen kişiler tarafından yapılmalıdır.** Bu el kitabı yalnızca makinenin genel kullanımını anlatılmaktadır ve metal işleri ve el aleti bileme alanındaki formal eğitiminin veya alıştırmalarının yerine geçemez
- El aletlerini güvenli şekilde ve kurallara ve yönetmeliklere göre bilemek için makineyi nasıl kullanmanızı gerektiğinden emin olmadığınız takdirde KULLANMAYIN**
- El aleti üreticisinin bileme ve bakım kurallarına DAİMA uyunuz.** Kurallar anlaşılır olmadığı zaman el aletini bileneşmesi için üreticiye iade edin
- Bilenmesi amaçlanmış olmayan bir bıçak ağzını ASLA bilemeye çalışmayın.** Bazı bıçakların (örneğin bazı elektrikli el aleti bıçakları) körelendiği, aşındığı veya hasar gördüğü zaman değiştirilmesi gerekir ve bunlar BILENEMEZ ve tekrar KULLANILAMAZ
- Bazı el aleti ve elektrikli alet bıçak ağızları karmaşık bir geometriye sahiptir.** Böyle bir bıçak ağzı bilenebilir olduğu zaman YALNIZCA ilk geometrisine geri getirilebilir. Mevcut bıçak özelliklerini ASLA değiştirmeyin. Bunun nasıl yapılacağından emin olmadığınız zaman el aletinin üretici veya eğitimli bir teknisyen tarafından bileneşmesini sağlayın
- Metal işleme makineleri düzgün kullanılmadığı zaman tehlike potansiyeli taşır.** Metal işleme makinelerinin çalıştırılması ve el

aletlerinin kullanılması ile ilgili genel kabul görmüş kuralları ve yöntemleri uygulamaları DAİMA izleyin

- Söz konusu el aletlerini bilemek için DAİMA doğru aksesuarları kullanın.** Aksesuarlarda veya mastarlarda asla tadilat yapmayın. Asla kendi yaptığınız aksesuarları kullanmayın veya makinede tadilat yapmayın. Belirli bileme işleri için tasarlanmış aksesuarlar bulunmadığı takdirde bu aygıt uygun olmayabilir. El aletlerini 'serbest el' ile BILEMEYİN
- Makineyi, diskinleri, çarkları ve aksesuarları HER kullanımdan önce dikkatle muayene edin.** Hasarlı aşındırma çarklarını kullanmak SON DERECE TEHLİKELİDİR ve operatörü ve çevredeki kişileri AĞIR şekilde yaralayabilir
- Aşındırma çarkları bakımını duruma tutulmalı ve DÜZGÜN bir taşılama yüzeyine sahip olmalıdır.** Yüzeyde düzgün olmayan bir aşınma görüldüğü takdirde bir taş düzleyici veya yüzey sıyırma aleti ile tekrar şekillendirin
- Toprak devrelerinin bu makinenin topraklama gereklerini uygun olmasına dikkat edin.** Koruyucu toprağı olmayan elektrik devrelerine veya devre kesici veya sigorta bulunmayan korumasız elektrik prizlerine asla bağlamayın. Bu makineyi güvenli şekilde nasıl bağlanacağından emin olmadığınız zaman ehliyetli bir elektrikleşene danışın. Yanlış veya hasarlı elektrik bağlantıları elektrik çarpmasına, yangınlara ve makinenin hasar görmesine yol açabilir

Ürünün tanıtılması

1. Deri Perdahlama Çarkı
2. Destek Kolu için Dikey Kaideler
3. Kilitleme Topuzu
4. Açma/Kapatma Düğmesi
5. Su Kabi
6. Bileme Taşı
7. Metal Rondelâ (x2)
8. Kilitleme Somunu
9. Destek Kolu için Yatay Kaideler
10. Tork Ayar Topuzu

Birlikte Verilen Aksesuarlar:

11. Destek Kolu
12. Destek Kolu Yükseklik Ayarı
13. Düz Kenarlı Master
14. Taş Düzleyici
15. Cila Pastası
16. Anahtar 19 mm
17. Açı Kılavuzu

Kullanım amacı

El aletine özgü mastarlar (isteğe bağlı) kullanılarak çeşitli el aletlerini ve bıçak ağızlarını düşük hızda ıslak bileme ve perdahlama aygıtı.

El aletinin ambalajının açılması

- El aletinin ambalajını dikkatle açın ve muayene edin. Tüm özelliklerini ve fonksiyonlarını öğrenin
- El aletinin tüm parçalarının mevcut olduğunu ve iyi durumda olduklarını kontrol edin. Eksik veya hasarlı parçalar olduğu takdirde bu aleti kullanmaya başlamadan önce bunların değiştirilmesini sağlayın

Kullanmadan önce

Bileme taşının ve su kabının takılması

1. Metal Rondelâyı (7) mil üzerine yerleştirin, profilli kısım makine gövdesinden uzağa bakmalıdır
 2. Bileme Taşını (6) gevşek şekilde mil üzerine yerleştirin, bileme taşının çukur merkezi makine gövdesinden uzağa bakmalıdır (şekilde gösterildiği gibi)
 3. Su Kabını (5) yerine tutturun. Bileme taşı serbestçe dönecek ama maksimum su düzeyinin (kap üzerinde işaretlidir) altına ulaşacak şekilde bileme taşının boyutuna uygun gelecek gerekli tutturma konumunu kullanın
 4. Diğer Metal Rondelâyı (7) mil üzerine yerleştirin, profilli kısım bileme taşına bakmalıdır
 5. Kilitleme Somununu (8) sıkın. Anahtar (16) kullanarak iyice sıkın
- Not:** Milde ters diş vardır, somunu sıkmak için saate ters yönde çevirin.
6. Bileme taşı bir kaç tur el ile döndürerek serbest ve hassas şekilde döndüğünü kontrol edin

Deri perdahlama çarkı

1. Bu aygıtta Deri Perdahlama Çarkı (1) bulunmaktadır
2. Kullanmadan önce perdahlama çarkının yerine sağlam şekilde tutturulduğunu kontrol edin
3. Kilitleme Somununu (3) saat yönünde çevirerek sıkın

Not: Yalnız el ile sıkın.

Aygıtın yerleştirilmesi

- Aygıtı sağlam bir çalışma yüzeyine kurun, dört ayağın hepsi yüzeye sağlam şekilde basmalıdır

Not: Titreşimi azaltmak için bu makinede dört tane kauçuk ayak bulunmaktadır. Aygıtı, el aletinin titreşimi teşvik etmeyen veya büyütmeyen bir çalışma yüzeyine yerleştirin.

- İş parçasını rahatça görmeye yetecek ışık olmasına ve bir engelleme olmaması için çevrede yeterli mēkan bulunmasını sağlayın

Su kabının doldurulması

1. Su Kabına (5), su kabının yan tarafındaki 'MAKSİMUM SU DÜZEYİ' işaretine kadar temiz soğuk su doldurun
2. Kullanırken, su düzeyinin Bileme Taşının (6) taşlama yüzeyini ıslak tutmaya daima yeterli olmasına dikkat edin

Tahrik sisteminin bağlanması

1. Tork Ayar Topuzunu (10) saat yönünde çevirerek makinenin gövdesine iyice yaslanmasını sağlayın. Böylece tahrik sistemi bağlanmış olur
2. Kullandıktan sonra tork ayar topuzunu daima gevşetin. Böylece tahrik çarkının daima doğru şeklini koruması sağlanmış olur

Taş düzleyicinin kullanılması

Bileme taşının yüzeyini ince veya kaba taşlamaya hazırlamak için Taş Düzleyiciyi (14) kullanın:

Çabucak çok miktarda talaş almak amacı ile kaba taşlama için (örneğin bir bıçağa şekil vermek üzere):

- Taşlama yüzeyini kabalılaştırmak için taş düzleyicinin kaba tarafını bileme taşına uygulayın

Bıçağı bilemek üzere ince taşlama için:

- Kesme kenarını deri perdahlama çarkında son perdah hazırlamak üzere bıçağı bilemek için ideal olacak şekilde, daha ince bir yüzey elde etmek için taş düzleyicinin pürüzsüz tarafını bileme taşına uygulayın

Düz kenarlı mastarın kullanılması

Bıçağı bilemek için tam doğru açıda ayarlamak amacı ile Destek Kolu (11) ve Açılı Kılavuzu (17) ile kullanmak için

1. Düz Kenarlı Mastar (13) üzerindeki topuzları gevşetin
2. Bıçağın bir kenarı uçlardaki yaslanma yerlerine yaslanacak şekilde bıçağı mastara yerleştirin (Şekil A)
3. Topuzları sıkarak bıçağı yerine sabitleyin

Destek kolunun kullanılması

- Destek Kolu (11), bileme taşının dönme yönüne karşı veya aynı yönde taşlama yapmak için takılabilir

Dönme yönüne karşı taşlama yapmak için:

1. Destek Kolunu (11) Dikey Kaidelere (2) yerleştirin (Şekil B)

Dönme yönünde taşlama ve perdahlama yapmak için:

1. Destek Kolunu (11) Yatay Kaidelere (9) yerleştirin (Şekil C)

DIKKAT: Perdahlama YALNIZCA dönme YÖNÜNDE yapılmalıdır.

- Dönme yönüne karşı çalışmak, dönme yönünde çalışmaya kıyasla daha çabuk şekilde daha fazla malzeme kaldırır
- Hassas aletlerin bıçaklarını çok hassas şekilde bilemek ve perdahlama yapmak için dönme yönünde çalışma kullanılabilir
- Doğru bileme açısını elde edebilmek ve bilenecek bıçağın bileme taşı yüzeyine göre düzgün durmasını sağlamak amacı ile zaman ayırarak çeşitli tiplerde ve boyutlarda bıçaklar ile mastarda alıştırmaya yapın
- Genel kural olarak, bileme yapmak için destek kolunu dikey kaidelere yerleştirin ve dönme yönüne karşı bileyin
- Deri perdahlama çarkını kullanırken destek kolunu ASLA dikey kaidelere yerleştirmeyin. Bıçağı dönme yönüne karşı perdahlamaya çalışmak perdahlama çarkına ağır şekilde zarar verir

Açılı kılavuzunun kullanılması

- Açılı Kılavuzunu (17) kullanarak bıçağı bilemek için tam doğru açıda yerleştirin (Şekil D)
1. Bıçağı Düz Kenarlı Mastara (13) takın ve destek kolunu kaideye yerleştirin
 2. Açılı kılavuzunun dış tarafındaki ölçeği kullanarak bıçağın eğim açısını ölçün.
 3. Açılı kılavuzundaki kilitleme topuzu gevşeterek siyah oklar doğru bileme taşı çap işareti ile aynı hizaya gelecek şekilde iletkiyi ayarlayın (Şekil E)
 4. Sonra ibreyi bıçakta gerekli eğim açısına ayarlayın (Adım 2'de ölçülen şekilde) ve kilitleme bileziğini sıkarak yerine kilitleyin (Şekil E)
 5. Düz kenarlı mastarı destek koluna vıdalayarak bıçağın bileme taşına yaslanmasını sağlayın
 6. Açılı kılavuzunun eğri ayağını bileme taşına, ibrenin düz kısmını ise bilenecek bıçağa yerleştirin (Şekil F)
 7. Destek Kolu Yükseklik Ayarını (12) kullanarak, açılı kılavuzu ibresindeki düz kısım bıçağa mükemmel düz olarak yaslanacak şekilde destek kolunun yüksekliğini ayarlayın
 8. Taşlama açısı artık doğrudur

Kullanılması

Önemli güvenlik notları:

- Bu cihazı onaylı güvenlik gözlüğü ve yüz veya toz maskesi dâhil gerekli tüm güvenlik donanımını giymeden asla kullanmayın
- Kesilmeye dayanıklı eldiven giyin ve bıçakları daima dikkatle tutun
- Bıçağın keskinliğini parmağınız (veya vücudunuzun bir parçası) ile DENEMEYİN
- Bileme taşı ve perdahlama çarkı cihazın tepesinde yatay kaidelerin yanındaki ok işaretinin gösterdiği yönde döner
- Çalışmaya başlamadan önce su kabının doğru takılmış ve yeterli kadar su dolu olmasına dikkat edin. Su düzeyini düzenli aralıklar ile kontrol edin ve gereken şekilde tamamlayın. Taş kuru iken ASLA bıçak bilemeye çalışmayın; bu son derece tehlikeli olabilir.
- Bileme taşı yüzeyinin düzgün ve yapılacak iş için gereken şekilde biçimlendirilmiş olmasına dikkat edin
- Çalıştırmaya başlamadan önce her seferinde bileme taşının serbestçe döndüğünü kontrol edin
- Yeni çarkları kullanmadan önce daima bir kaç dakika çalışmaya bırakın. Çalıştırmaya başlarken yan tarafta durun

Çalıştırma ve durdurma

1. Açma/Kapatma Düğmesinin (4) KAPALI (O) konumda olmasına dikkat edin
2. Cihazı güç kaynağına bağlayın
3. Çalıştırmak için açma/kapatma düğmesini AÇIK (I) konumuna bastırın
4. Kapatmak için açma/kapatma düğmesini KAPALI (O) konumuna bastırın
5. İşiniz kesintiye uğradığı veya işinizi tamamladığınız zaman cihazı güç kaynağından ayırın

El aleti bıçağının bilenesmesi

- Bıçağı bileme taşına düzgün bir basınç ile bastırın
- Düz kenarlı mastarı destek kolu boyunca ileri-geri hareket ettirerek bıçağın düzgün bilenesmesini ve taşın düzgün şekilde aşınmasını sağlayın
- Çok fazla bastırmayın. Bilemek için yalnız hafif bir basınç gerekir

Düz kenarlı master olmadan bileme

- İş parçası mastara takılamayacak kadar büyük olduğu zaman Destek Kolu (11) takarak iş parçasını, kenarı sizden uzağa bakacak şekilde desteğe yaslayabilirsiniz. Böylece bıçağı gerekli açıda sağlam şekilde tutabilirsiniz
- Bıçağı taş boyunca ileri-geri hareket ettirerek bıçağın düzgün bilenesmesini ve taşın düzgün şekilde aşınmasını sağlayın

Not: Triton satıcınızda Destek Kolu Uzatması (TWSSAE) ve, Uzun Destek Mastarı (TWSLKJ) gibi bazı alete-özüğü mastarlar bulunmaktadır. Bu cihaz ile bileme yaparken daima uygun el aletine özüğü master kullanılması önemli tavsiye edilir.

El aleti bıçağının perdhahlama

- Bıçak bilendikten sonra deri perdhahlama çarkı kullanıldığı zaman tüm çapaklar giderilir ve bıçak düzgün ve keskin bir kenara sahip olur

DIKKAT: Bıçağı daima çarkın dönme yönünde perdhahlayın. Çarkın dönme yönüne karşı ASLA perdhahlama yapmayın.

1. Kurulum sırasında makineyi güç kaynağından ayırmaya dikkat edin
2. Destek kolunu (11) ve mastarı Şekil C'de görüldüğü gibi hazırlayın. Açık kılavuzunu kullanarak bıçak açısının doğru olduğunu kontrol edin
3. Doğrudan Deri Perdhahlama Çarkına (1) bol miktarda Cila Pastası (15) sıkın. Perdhahlama işlemi bileşiği çark boyunca dağıtacaktır
4. Makineyi çalıştırın ve bıçağı perdhahlama çarkının yüzü boyunca hareket ettirin. Perdhahlama çarkı genişliğinin en az yarısının daima bıçağa temas etmesine dikkat edin
5. İşin yapılmasını perdhahlama çarkına bırakın. Çarka aşırı kuvvet uygulamayın
6. Bilerken yaptığınız gibi, mastarı destek kolu boyunca ileri-geri hareket ettirerek bıçağın düzgün perdhahlamasını sağlayın
7. Çarkta cila pastası olmadan perdhahlama YAPMAYIN. Birden fazla bıçak bilediğiniz zaman daha fazla pasta sürmek gerekebilir. Bileşiği sürmeden önce makineyi kapatın ve bıçağı çıkarın

Düz kenarlı master olmadan perdhahlama

- İş parçası mastara takılamayacak kadar büyük olduğu zaman Destek Kolu (11) takarak iş parçasını, kenarı sizden uzağa bakacak şekilde desteğe yaslayabilirsiniz. Böylece bıçağı gerekli açıda sağlam şekilde tutabilirsiniz
- Bıçağı çark boyunca ileri-geri hareket ettirerek bıçak üzerinde düzgün perdhahlama yapılmasını sağlayın

Mühendislik işaretlerinin sökülmesi

- Üretim süreci sırasında bazen, bıçağın kesit (veya 'yüz') yüzeyinde mühendislik işaretleri kalır
- Bıçağın hasarlı yüzünü taşın yan yüzüne bastırarak bunları çıkarabilirsiniz
- Bıçağın yüzünü taşın yüzeyinde hafifçe gezdirin. Fazla kuvvet uygulamayın ve parmakların taşa dokunmasına dikkat edin
- Bu işlemi bıçağı bilemeden önce yapın

İşin bitirilmesi

1. Tork Ayar Topuzunu (10) gevşeterek tahrik sistemini ayırın. Böylece tahrik çarkının şeklini mükemmelen korumasını sağlarsınız
2. Su kabını boşaltın

UYARI: Bileme taşını ASLA suyun içinde durmaya bırakmayın.

Aksesuarlar

- Triton satıcınızda bazı alete-özüğü özel bileme mastarları dâhil olmak üzere çok geniş bir aksesuar yelpazesi bulunmaktadır:
- Oyma Aleti Mastarı (TWSCTJ)
- Torna Oyma Kalemli Mastarı (TWSTGJ)
- Makas Mastarı (TWSSJ)
- Uzun Bıçak Mastarı (TWSLKJ)
- Düzlem Eğriligi Mastarı (TWSFPCJ)
- Düz Kenar Mastarı (TWSSEJ)
- Destek Kolu Uzatması (TWSSAE)
- Alet Desteği (TWSTRJ)
- Ayar Mastarı (TWSSGAJ)
- Taş Düzleyici (TWSSEG)
- Elmas Düzeltme Aleti (TWSDDTJ)
- Makine Örtüsü (TWSWSC)
- Metal Cilası (TWSMPP)
- Yedek taşlama ve perdhahlama çarkları Triton satıcınızda bulunmaktadır; gerçek Triton yedek parçalar toolsparsonline.com adresinden temin edilebilir

Bakım

Genel muayene

- Tüm sabitleme vidalarının sıklığı olduğunu düzenli şekilde kontrol edin. Titreşim yüzünden bunlar zamanla gevşeyebilir
- El aletinin elektrik kablosunda hasar veya aşınma olup olmadığını her kullanımdan önce muayene edin. Tamir işleri yetkili bir Triton servis merkezi tarafından yapılmalıdır. Bu tavsiye bu el aleti ile kullanılan uzatma kabloları için de geçerlidir

Temizleme

- Makinenizi daima temiz tutun. Kir ve toz iş parçalarının hızla aşınmasına yol açar ve makinenin hizmet ömrünü kısaltır. Makinenizin gövdesini yumuşak bir fırça veya kuru bez ile temizleyin. Var ise temiz ve kuru basınçlı hava kullanarak havalandırma deliklerini üfleyin

Bileme taşının bakımı

- Darbe gören ve özellikle yan tarafına darbe alan bir bileme taşını kullanmayın
- Çatlak veya kuşukulu bir taşı hemen değiştirin
- Düzgün bir taşlama yüzü muhafaza edin. Bileme taşının yüzeyinin düzgünlüğü bozulduğu veya başka aşınma belirtileri gösterdiği zaman Elmas Düzeltme Aleti TWSDDT'yi kullanarak (ayrıca temin edilir) yüzeyi eski durumuna getirin
- Taşın takılması hakkında bilgi almak için 'Bileme taşının ve su kabının takılması' bölümüne bakın

Not: Milde ters diş vardır: gevşetmek için saat yönünde, sıkılaşmak için saate ters yönde çevirin.

Deri perdhahlama çarkının değiştirilmesi

Deri Perdhahlama Çarkı (1) aşındığı veya yıprandığı zaman değiştirilmesi zorunludur:

1. Kilitleme Topuzunun (3) vidasından açın ve bir kenara bırakın
2. Aşınmış perdhahlama çarkını milden çıkarın ve yeni çarkı yerine yerleştirin
3. Kilitleme Topuzunu tekrar takın ve sıkın.

Not: Yalnız el ile sıkın.

Saklama

- DAİMA su kabını boşaltın, makineyi temizleyin ve saklamak üzere örtün
- Makineyi ASLA bileme taşı ıslak veya nemli olacak şekilde saklamayın. Örtüp uzun süreli saklamadan önce DAİMA taşın tamamen kurumasını sağlayın
- Bu aleti çocukların erişemeyeceği şekilde, güvenli, sıcak, kuru bir yerde dikkatle saklayın

Atılması

Artık çalışmayan ve tamir edilmesi bir işe yaramayacak olan el aletlerini atarken daima ulusal yönetmelikleri izleyin.

- Elektrikli el aletlerini, pilleri ve diğer elektrikli ve elektronik atık donanımı (WEEE) evsel atıklar ile birlikte atmayın
- Elektrikli el aletlerini atmanın doğru yolu hakkında bilgi almak için bölgenizdeki yerel atık bertaraf makamına danışın

Garanti

Garantinizi tescil ettirmek için www.tritontools.com adresindeki web sitemizi ziyaret ederek bilgilerinizi giriniz *.

Size ait bilgiler ilerideki yayınlar hakkında bilgi vermek üzere posta listemize dâhil edilecektir (aksi belirtilmediği takdirde). Verilen bilgiler hiç bir üçüncü tarafa iletilmeyecektir.

Satin alma kayıtları

Satin Alma Tarihi: ___ / ___ / ___

Model: TWSS10 Makbuzunuzu satın alma kanıtı olarak saklayınız

AB Uygunluk Beyanı

Aşağıda imzası bulunan: Bay Darrell Morris

Yetki veren: Triton Tools

Beyan eder ki

Tanımlama kodu: 949257

Açıklama: Sulu Bileme Taşı

Aşağıdaki direktiflere ve standartlara uygundur:

- Makine Direktifi 2006/42/EC
- Alçak Voltaj Direktifi 2006/95/EC
- EMC Direktifi 2004/108/EC
- RoHS Direktifi 2011/65/EU
- EN 61029-1:2009+A11:2010
- EN 61000-3-2:2006/+A1:2009/+A2:2009
- EN61000-3-3: 2013
- EN 55014-1:2006/+A1:2009/+A2:2011
- EN 55014-2: 1997/+A1:2001/+A2:2008
- EN 50581:2012

Triton Precision Power Tools, ilk satın alma tarihinden itibaren 3 YIL süre içinde hatalı malzemeler veya işçilik yüzünden herhangi bir parçanın kusurlu çıkması durumunda Triton'un hatalı parçayı ücretsiz olarak tamir edeceğini veya kendi takdirine göre değiştireceğini bu ürünü satın alan kişiye garanti eder.

Bu garanti ticari kullanım için geçerli olmadığı gibi normal aşınmayı ve yıpranmayı veya kaza, kötüye kullanma veya yanlış kullanma yüzünden oluşan hasarı içermez.

* 30 gün içinde çevirim içi olarak tescil yaptırın.

Kurallar ve koşullar geçerlidir.

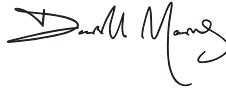
Bunlar sizin yasal haklarınızı etkilemez

Onaylanmış kuruluş: Intertek

Teknik dokümanları muhafaza eden: Triton Tools

Tarih: 04/03/2015

İmza:



Bay Darrell Morris

Sorumlu Müdür

Üreticinin adı ve adresi:

Powerbox International Limited, Şirket No. 06897059. Tescilli adres: Central House, Church Street, Yeovil, Somerset BA20 1HH, Birleşik Krallık.