**Robert Bosch GmbH**

Power Tools Division
70764 Leinfelden-Echterdingen
GERMANY

www.bosch-professional.com

F 016 L81 097 (2015.05) 0 / 287 **EURO**

**GHP**

5-55 | 5-65 | 5-65X | 5-75 | 5-75X | 500X

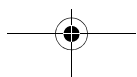

BOSCH

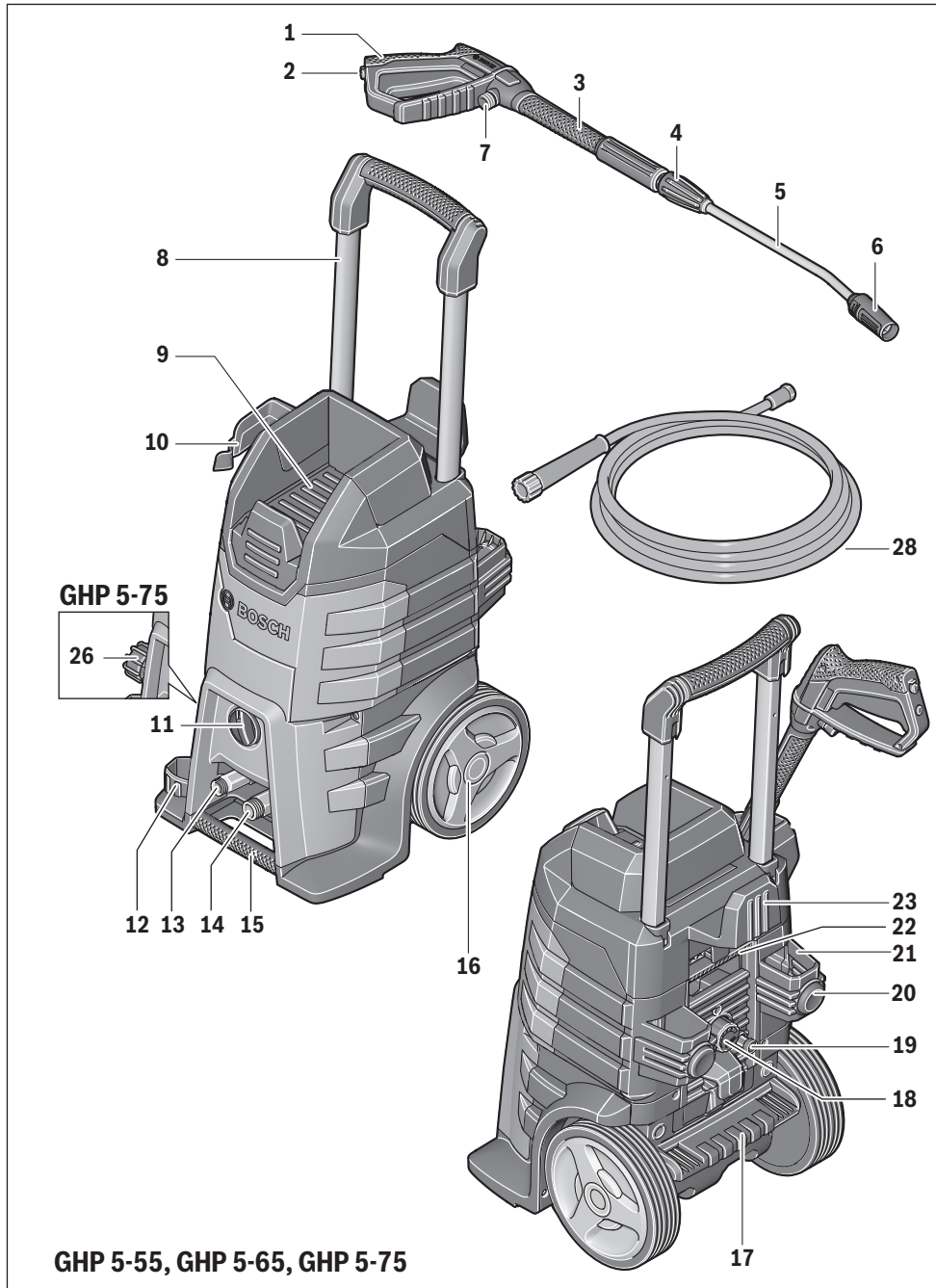
de Originalbetriebsanleitung	pl Instrukcja oryginalna	sr Originalno uputstvo za rad
en Original instructions	cs Původní návod k používání	sl Izvirna navodila
fr Notice originale	sk Pôvodný návod na použitie	hr Originalne upute za rad
es Manual original	hu Eredeti használati utasítás	et Algupärane kasutusjuhend
pt Manual original	ru Оригинальное руководство по эксплуатации	lv Instrukcijas oriģinālvalodā
it Istruzioni originali	uk Оригінальна інструкція з експлуатації	lt Originali instrukcija
nl Oorspronkelijke gebruiksaanwijzing	kk Пайдалану нұсқаулығының түпнұсқасы	ar تعليمات التشغيل الأصلية
da Original brugsanvisning	ro Instrucțiuni originale	fa دفترچه راهنمای اصلی
sv Bruksanvisning i original	bg Оригинална инструкция	
no Original driftsinstruks	mk Оригинално упатство за работа	
fi Alkuperäiset ohjeet		
el Πρωτότυπο οδηγιών χρήσης		
tr Orijinal işletme talimatı		

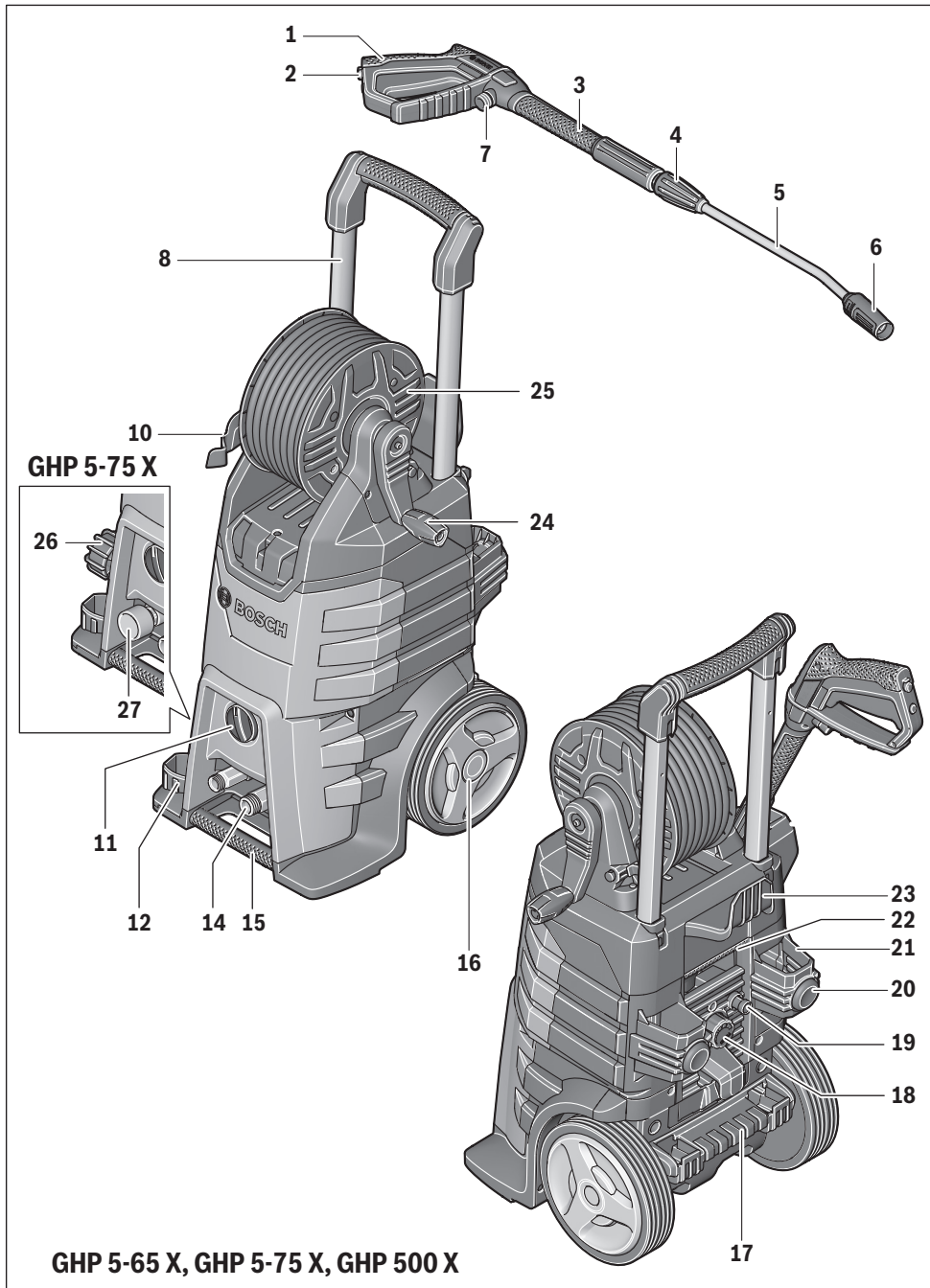


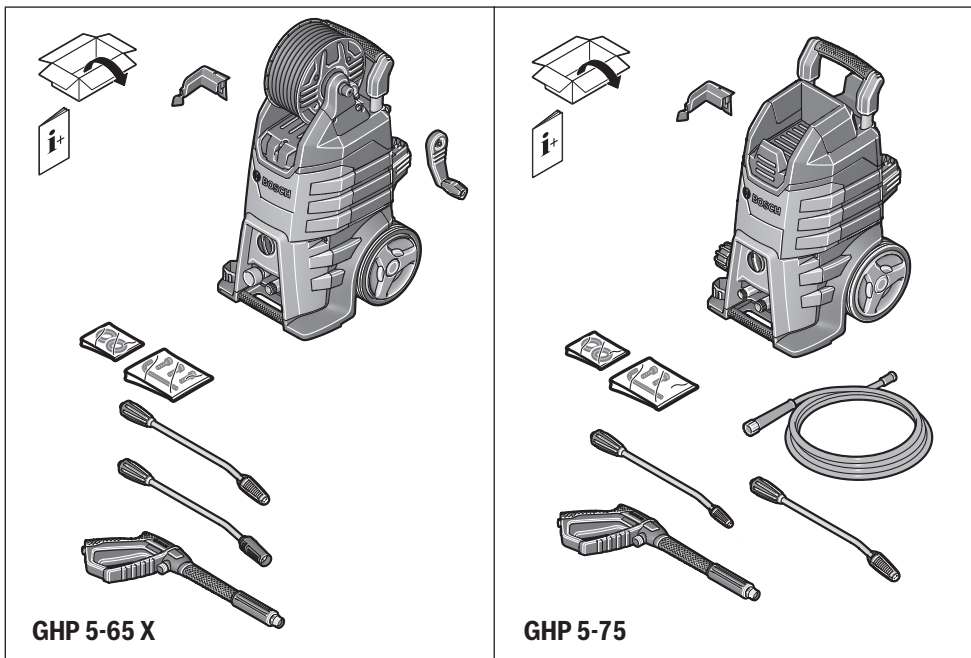
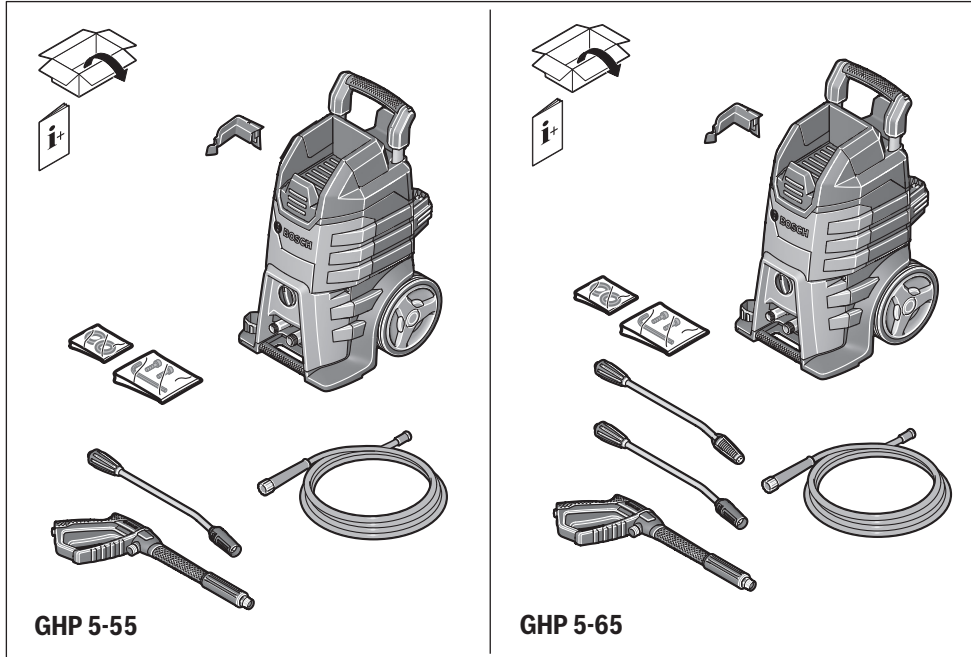


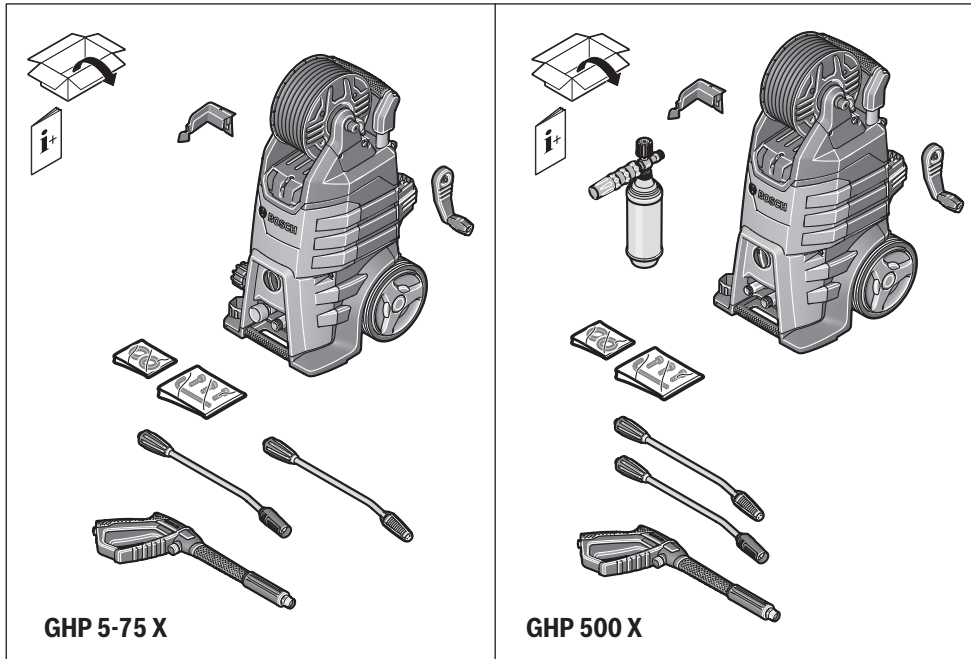
Deutsch	Seite	14
English	Page	23
Français	Page	31
Español	Página	40
Português	Página	49
Italiano	Pagina	58
Nederlands	Pagina	67
Dansk	Side	75
Svenska	Sida	83
Norsk	Side	91
Suomi	Sivu	98
Ελληνικά	Σελίδα	106
Türkçe	Sayfa	115
Polski	Strona	124
Česky	Strana	133
Slovensky	Strana	141
Magyar	Oldal	150
Русский	Страница	160
Українська	Сторінка	171
Қазақша	Бет	180
Română	Pagina	191
Български	Страница	199
Македонски	Страна	209
Srpski	Strana	218
Slovensko	Stran	226
Hrvatski	Stranica	234
Eesti	Lehekülg	242
Latviešu	Lappuse	250
Lietuviškai	Puslapis	259
عربي	صفحة	276
فارسی	صفحه	285

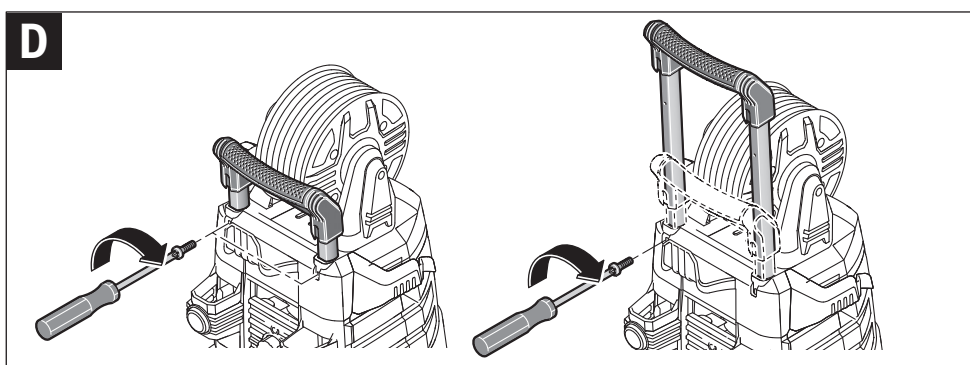
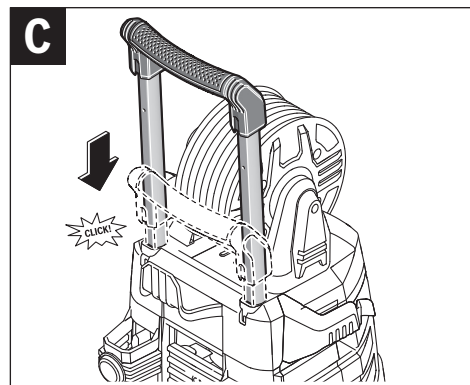
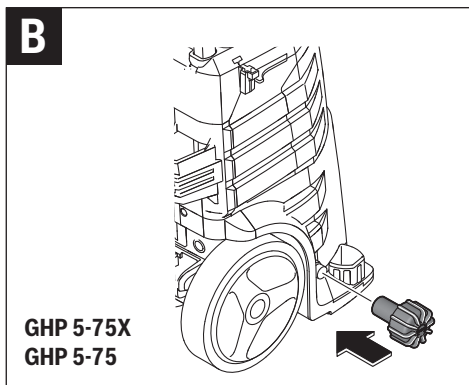
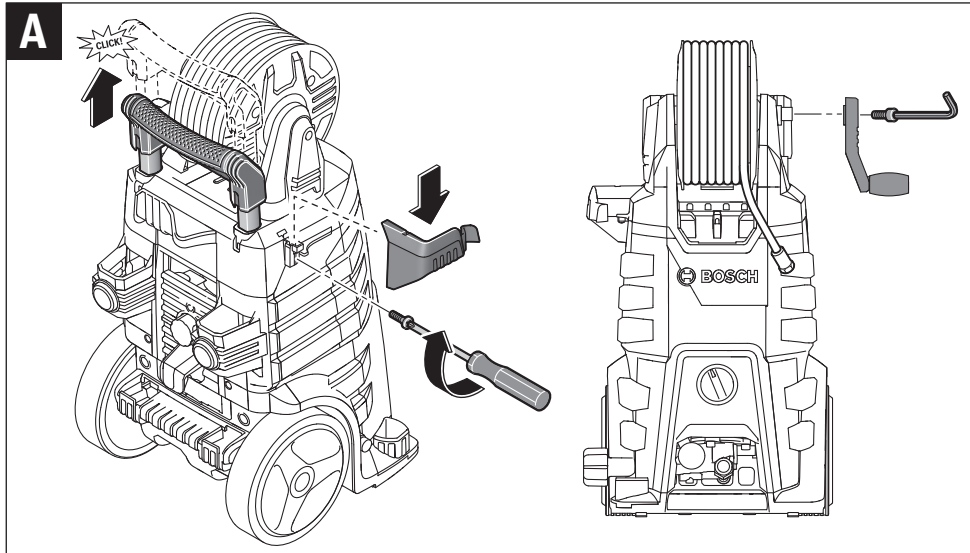


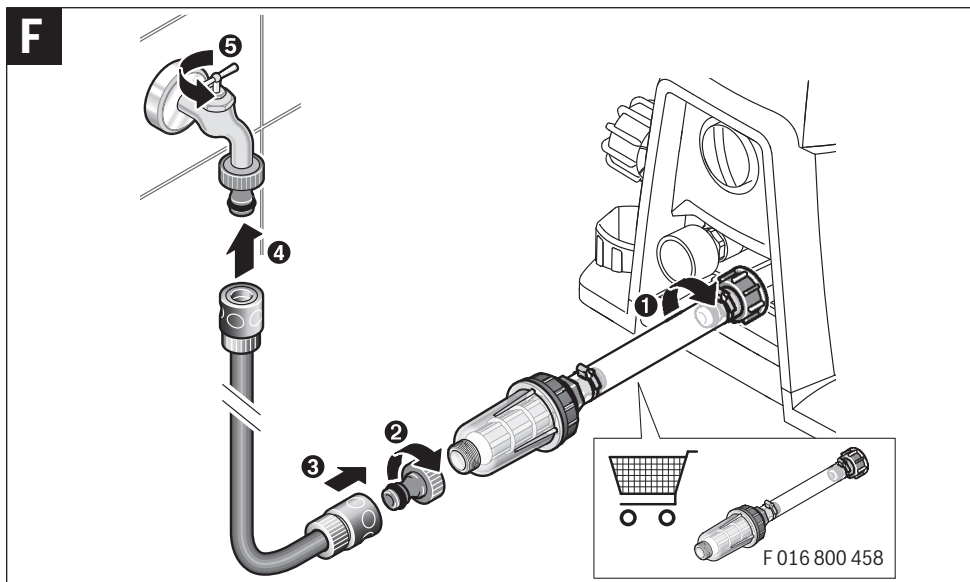
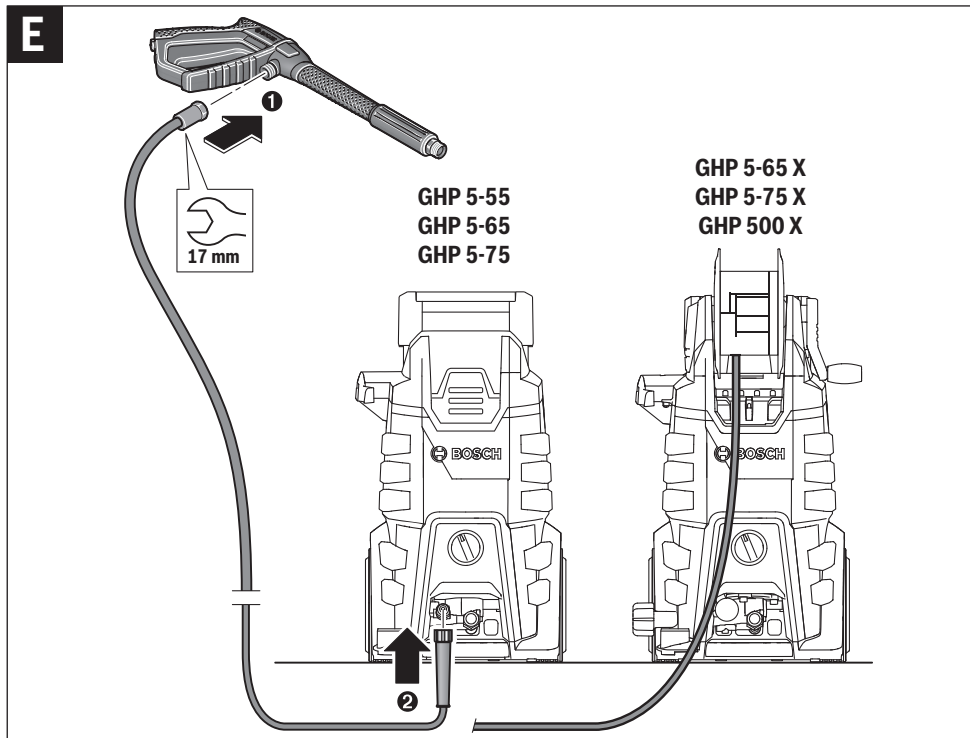


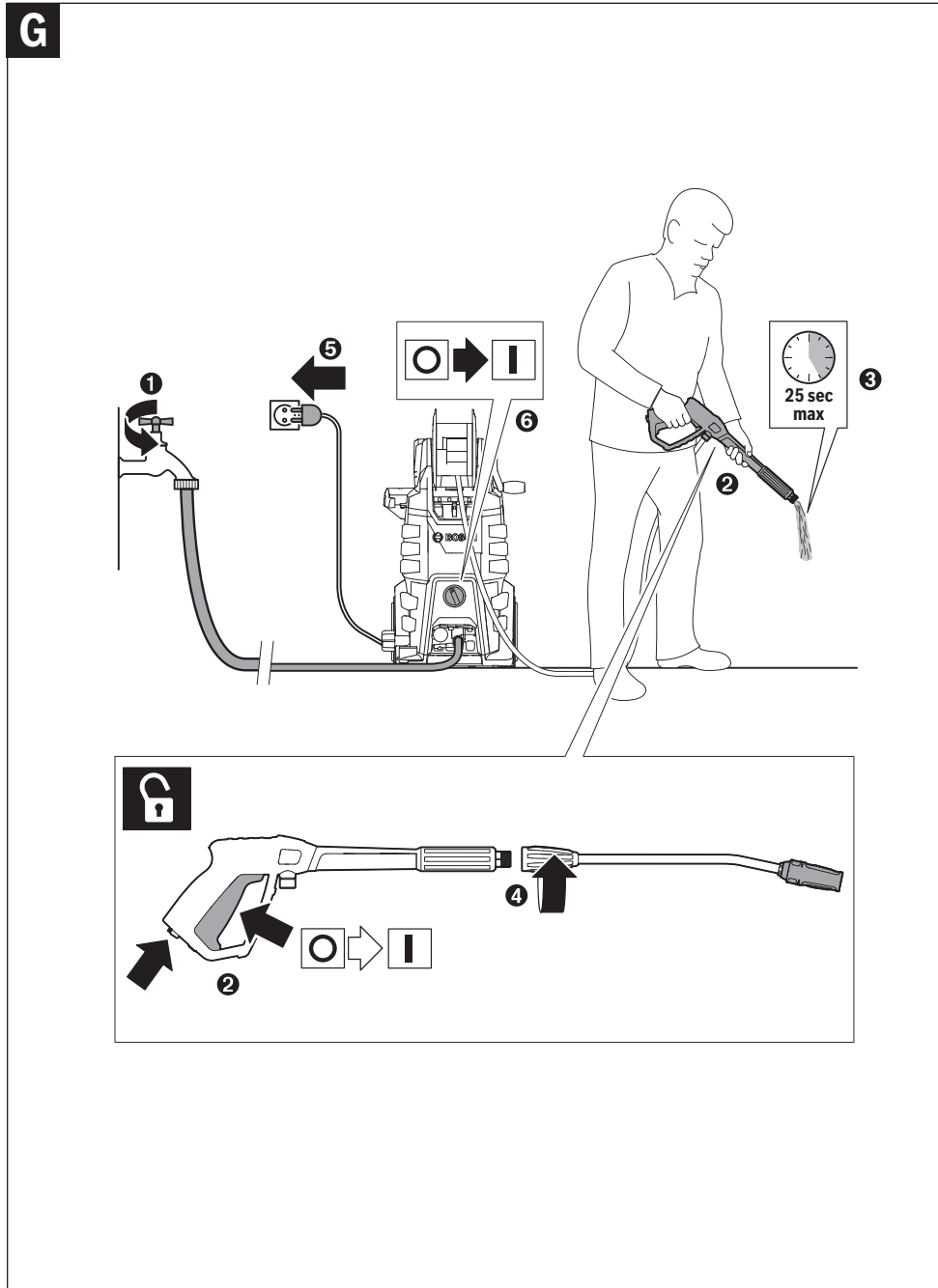


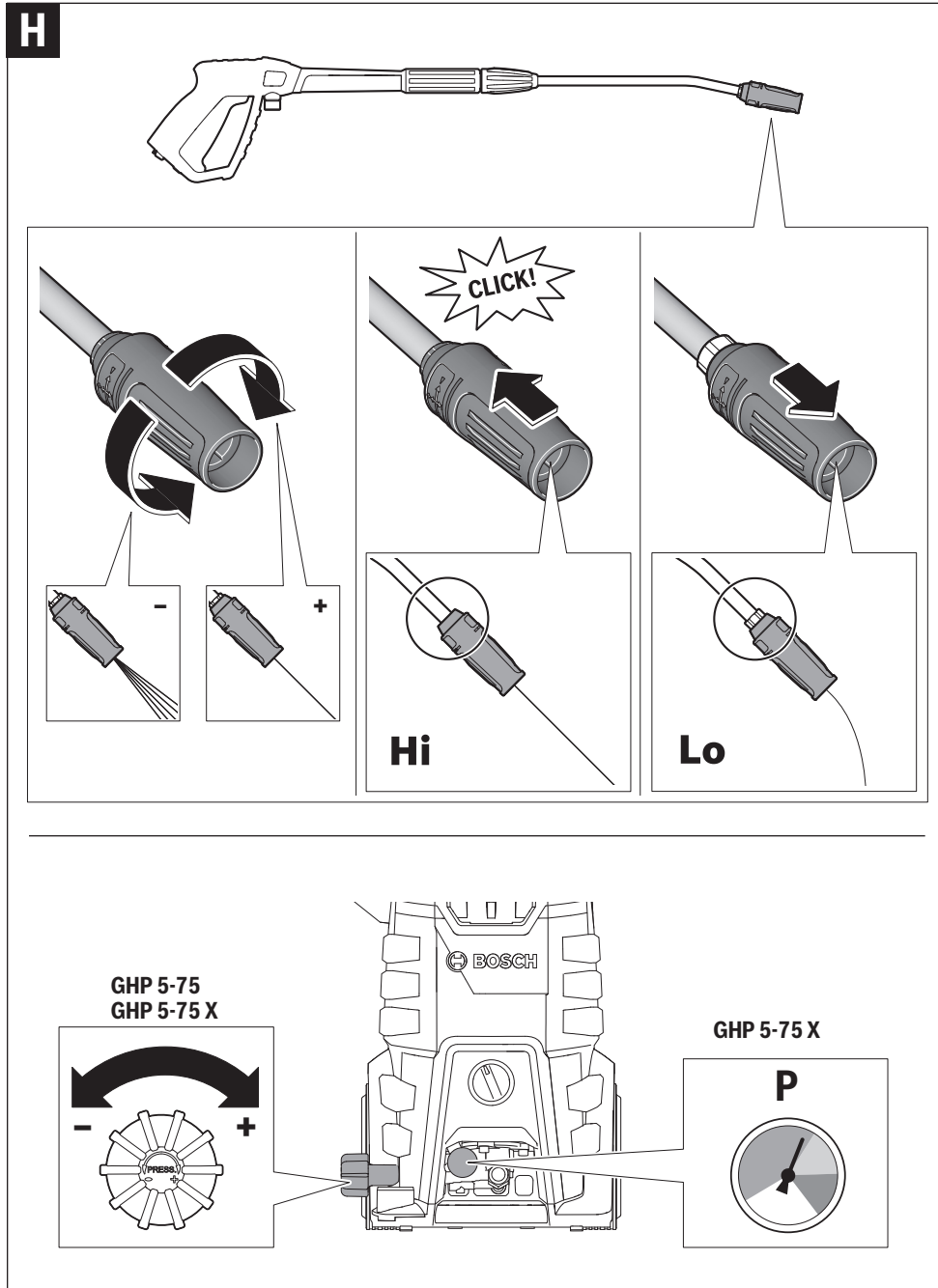


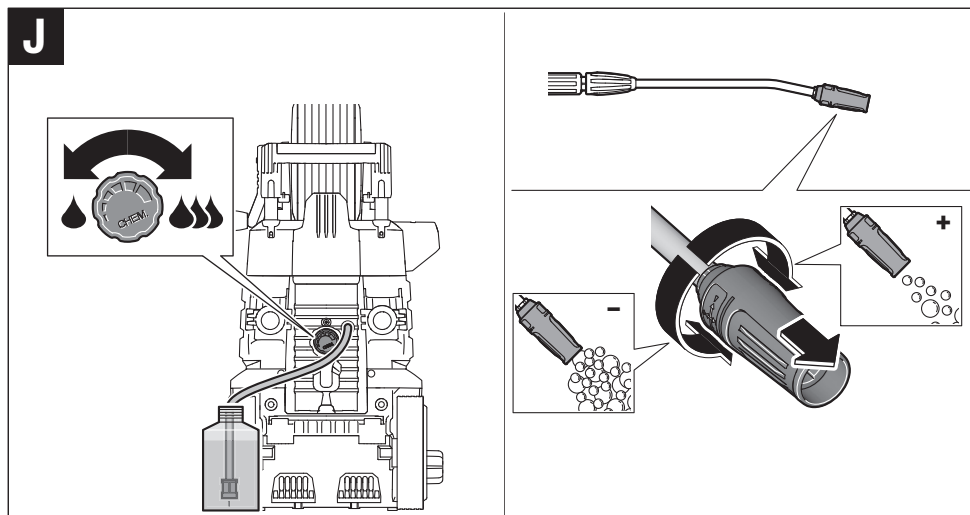
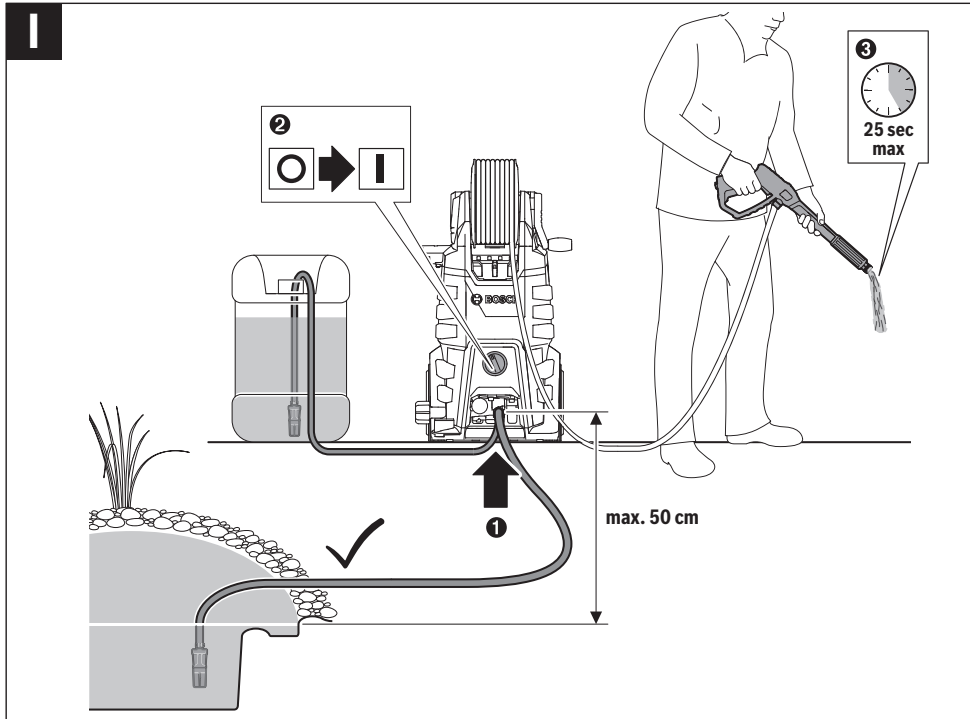


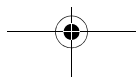
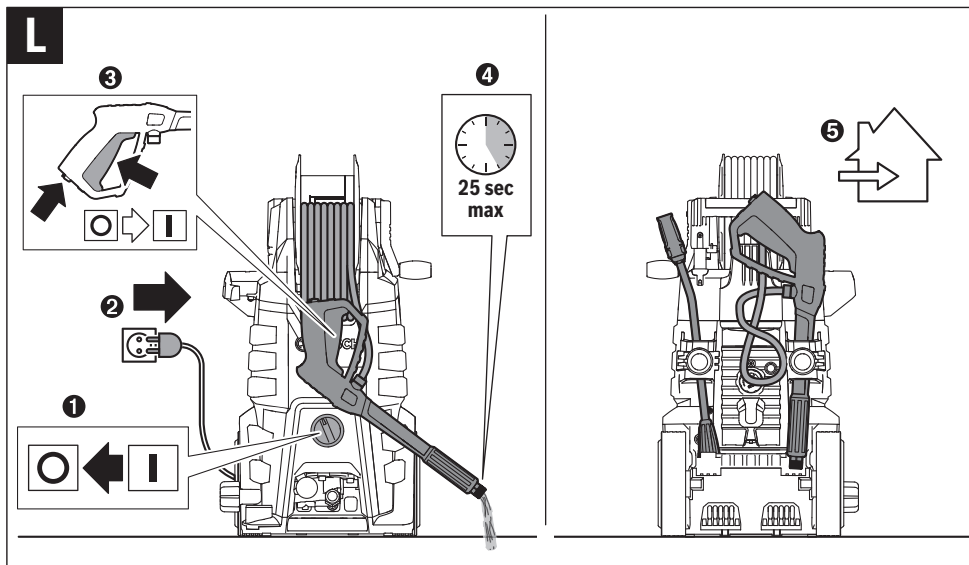
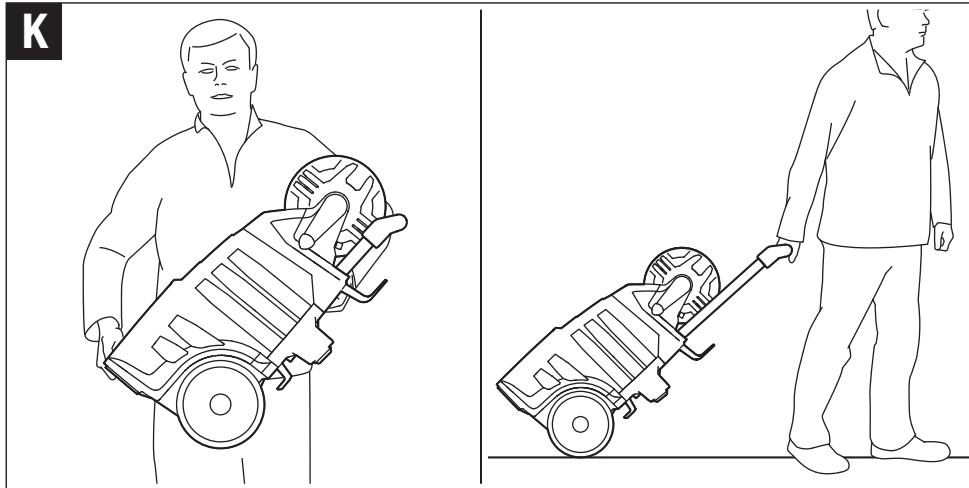


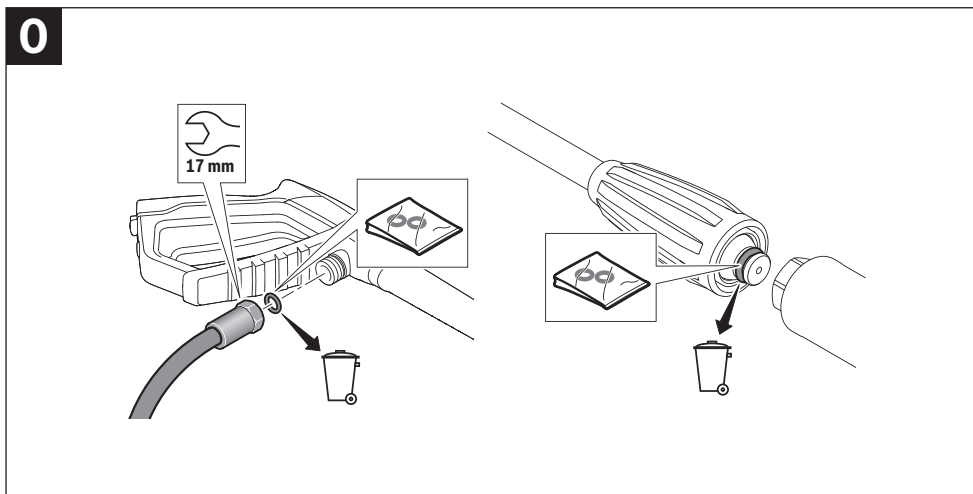
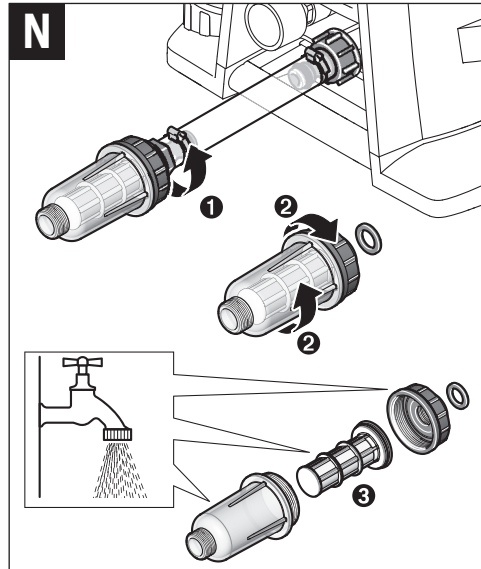
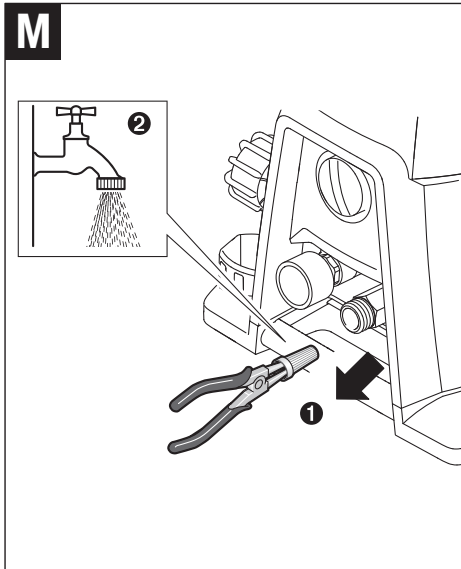












English

Safety Notes

Symbols on the machine



Read all safety warnings and all instructions. Failure to follow the warnings and instructions may result in electric shock, fire and/or serious injury.



General hazard safety alert.



Never direct the water jet at people, animals, the unit or electric components.

Warning: High pressure jets can be dangerous if subject to misuse.



According to the applicable regulations, the appliance must never be used on the drinking water network without a system separator. Use a separator as per IEC 61770 Type BA. Water flowing through a system separator is considered not drinkable. For self priming use special suction kit 3 m long (F 016 800 335).

User qualification and personal protection

► This machine can be used by people with reduced physical, sensory or mental capabilities or lack of experience and knowledge if they have been given supervision or instruction concerning use of the machine in a safe way and understand the hazards involved.

► The unit must not be operated by children or juveniles. Children should be supervised to ensure that they do not play with the unit.

► The unit may only be used by authorised persons who have received training or have demonstrated their ability to operate the unit.



Wear personal protective equipment (PPE) e. g. safety goggles, dust mask etc. to protect against water, particles and/or aerosols sprayed back from parts. Do not inhale aerosols if self-priming from external sources. Such water can contain disease-causing agents.

► Do not use the appliance within the range of persons unless they also wear protective clothing.

Connecting to the mains

► The voltage indicated on the rating plate must correspond to the voltage of the power source.

► The operating voltage is 230 V AC, (for non-European countries 220 V or 240 V, as applicable).

► This is a class I unit and may only be connected to properly earthed power sources.

► The electric supply installation shall be made by a qualified electrician and comply with IEC 60364-1.

► We recommend that this equipment is only connected into a socket which is protected by a circuit-breaker that would be actuated by a 30 mA residual current.

Requirements for extension cords and plugs

- ▶ **Warning:** Inadequate extension cords can be dangerous. The extension cord must have an earth wire. Extension cord, plug and socket must be of waterproof construction, protected against splashed water and intended for outdoor use. If in doubt, contact a qualified electrician or the nearest Bosch Service Centre.
- ▶ The following wire dimensions are recommended: Up to 20 m length, 2.5 mm² wire diameter, up to 50 m length 4.0 mm² wire diameter.
- ▶ If your plug is not suitable for your socket outlets, it should be cut off and an appropriate plug fitted in its place by an authorized customer service agent. In case of electric plug with internal fuse, the replacement plug should have the same fuse ratings as the original plug. The severed plug must be disposed of to avoid a possible shock hazard and should never be inserted into a mains socket elsewhere.
- ▶ Products sold in GB only: Your product is fitted with an BS 1363/A approved electric plug with internal fuse (ASTA approved to BS 1362).
- ▶ Remove the plug from socket whenever the machine is left unattended for any period.
- ▶ Do not touch the plug or socket with wet hands.
- ▶ Do not pull plug while operating the device.
- ▶ The connection between supply cord and extension cord must be kept dry and off the ground 60 cm above.
- ▶ Do not use the unit, if the power supply cord or important parts, e. g. high-pressure hose, power gun or safety devices are damaged.
- ▶ Do not run over, crush or pull the power supply cord or extension cord, otherwise it may be damaged. Protect the cable from heat, oil and sharp edges.

Water connection

- ▶ Observe the regulations of your water supply company.
- ▶ The appliance should never be used on the drinking water supply without a back flow valve. Water which has passed the back flow valve is regarded as undrinkable.

High-pressure hose

- ▶ High-pressure hoses, fittings and couplings are important for the safety of the appliance. Use only hoses, fittings and couplings recommended by the manufacturer.
- ▶ A damaged high-pressure hose can burst and must be replaced immediately. Never pull the hose over sharp edges. Don't pull if the hose is entangled.

Use of detergents

- ▶ Only use detergents recommended by the manufacturer. Comply with the application, disposal and warning instructions of the detergent manufacturers.
- ▶ We recommend that the detergents are not used undiluted. The products

are safe to use as they contain no acids, alkalis or substances which are detrimental to the environment. We recommend that the detergents are kept out of the reach of children. If detergent comes into contact with the eyes, wash immediately with plenty of water and if swallowed contact a doctor immediately.

- ▶ Do not use solvent-containing liquids, undiluted acids, acetone or solvents! This includes petrol, paint thinners, heating oil. The sprayed vapour is highly flammable, explosive and toxic.

Observe before use

- ▶ The operator must use the unit in accordance with the regulations. He/she must take local conditions into account and be aware of other people, especially children, when operating the unit.
- ▶ Before use, check that the unit and operating equipment are in perfect condition and are safe to operate. Do not use the unit if it is not in perfect condition.
- ▶ The unit must be positioned on its supports vertical or horizontal on solid ground.
- ▶ All current-conducting components in the working area must be protected against splashed water.



The water jet from the high-pressure nozzle produces a significant recoil at the gun. Therefore hold the gun and spray lance firmly with both hands.



Do not direct the water jet at the machine itself.



Do not direct the jet against yourself or others in order to clean clothes or footwear.

- ▶ The gun trigger must not be temporarily or permanently fixed in the open position during operation.
- ▶ Metal parts may become hot after prolonged usage, if necessary wear protective gloves.
- ▶ High pressure washing during storm, excessive rain etc. must be avoided, especially when there is a risk of lightning.
- ▶ The appropriate safety regulations must be observed when using the unit in dangerous areas (e. g. petrol stations). It is forbidden to operate the unit in potentially explosive locations.
- ▶ Materials containing substances which are hazardous to your health (e.g. asbestos) must not be sprayed.



Vehicle tyres/tyre valves may only be cleaned from a minimum distance of 30 cm, otherwise the vehicle tyre/tyre valve could be damaged by the high-pressure jet. The first indication of this is a discoloration of the tyre. Damaged vehicle tyres/tyre valves can be extremely dangerous.

Observe before maintenance






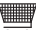
- ▶ Switch off the unit and pull out the mains plug prior to all maintenance and care.
- ▶ Repairs may only be carried out by authorised Bosch Service Centres.

26 | English

► Accessories and spare parts which have been approved by Bosch must be used. Original accessories and spare parts guarantee that the unit can be operated safely and without any breakdowns.

Symbols in manual

The following symbols are important for reading and understanding the operating instructions. Please take note of the symbols and their meaning. The correct interpretation of the symbols will help you to use the machine in a better and safer manner.

Symbol	Meaning
	Movement direction
	Reaction direction
	Weight
	On
	Off
Lo	Low pressure
Hi	High pressure
	Accessories

Intended Use

This product is intended for professional use of cleaning areas around houses and objects, cleaning of tools, vehicles and boats, if the appropriate accessories such as cleaning agents approved by Bosch for this product are used.

Intended use is related to operation within 0°C and 50°C ambient temperature.

Product Features

The numbering of the product features refers to the illustrations on the graphics pages.

- 1 Trigger
- 2 Trigger safety lock
- 3 Power gun
- 4 Lance screw connector coupling
- 5 Stainless steel spray lance
- 6 Nozzle
- 7 Pressure hose fitting (power gun)
- 8 Handle
- 9 Additional storage space (GHP 5-55/GHP 5-65/GHP 5-75)
- 10 Top lance holder
- 11 Main switch
- 12 Bottom lance holder
- 13 Connection for high pressure hose (GHP 5-55/GHP 5-65/GHP 5-75)
- 14 Water inlet connection
- 15 Auxiliary lifting handle
- 16 Transport wheels
- 17 Foot pedal
- 18 Detergent gauge
- 19 Detergent hose
- 20 Rubber foot
- 21 Storage
- 22 Rear lifting handle
- 23 Cable holder
- 24 Hose reel handle (GHP 500 X/GHP 5-65 X/GHP 5-75 X)
- 25 Hose reel (GHP 500 X/GHP 5-65 X/GHP 5-75 X)
- 26 Pressure adjustment knob (GHP 5-75/GHP 5-75 X)
- 27 Pressure gauge (GHP 5-75 X)
- 28 High pressure hose (GHP 5-55/GHP 5-65/GHP 5-75)

Accessories shown or described are not part of the standard delivery scope of the product. A complete overview of accessories can be found in our accessories program.

Technical Data

Pressure washer		GHP 5-55	GHP 500X	GHP 5-65	GHP 5-65X	GHP 5-75	GHP 5-75X
Article number	3 600 ...	J10 4..	J10 9..	J10 5..	J10 6..	J10 7..	J10 8..
Rated power	kW	2.2	2.2	2.4	2.4	2.6	2.6
Supply temperature max.	°C	50	50	50	50	50	50
Rated flow rate	l/h	500	500	485	485	560	560
Rated pressure	MPa	11.5	11.5	13.0	13.0	14.0	14.0
Max. operating pressure	MPa	13.0	13.0	16.0	16.0	18.5	18.5

Starting cycles generate brief voltage drops. Interference with other equipment/machines may occur in case of unfavourable mains system conditions. Malfunctions are not to be expected for system impedances below 0,153 ohm.

English | 27

Pressure washer		GHP 5-55	GHP 500X	GHP 5-65	GHP 5-65X	GHP 5-75	GHP 5-75X
Rated Flow	l/h	520	520	520	520	570	570
Maximum inlet pressure	MPa	1	1	1	1	1	1
Kickback force at the gun to the maximum pressure	N	19.71	19.71	20.46	20.46	24.37	24.37
Motor insulation		Class F	Class F	Class F	Class F	Class F	Class F
Motor protection		IPX5	IPX5	IPX5	IPX5	IPX5	IPX5
Autostop function		●	●	●	●	●	●
Pressure gauge		-	-	-	-	-	●
Pressure adjusting knob		-	-	-	-	●	●
Hose reel		-	●	-	●	-	●
Net impedance	Ω	0.153	0.153	0.153	0.153	0.153	0.153
Weight according to EPTA-Procedure 01/2003	kg	22.0	24.8	23.5	25.0	26.7	28.2
Protection class		⊕ / I	⊕ / I	⊕ / I	⊕ / I	⊕ / I	⊕ / I

Serial number See serial number (rating plate) on pressure washer.
 Starting cycles generate brief voltage drops. Interference with other equipment/machines may occur in case of unfavourable mains system conditions.
 Malfunctions are not to be expected for system impedances below 0,153 ohm.

Noise/Vibration Information

Sound emission values determined according to EN 60335-2-79.

Typically the A-weighted noise levels of the product are:

	3 600 ...	J 10 4..	J 10 5..	J 10 6..	J 10 7..	J 10 8..	J 10 9..
Sound pressure level	dB(A)	78	78	78	78	77	77
Sound power level	dB(A)	92	92	92	92	91	91
Uncertainty K	dB	= 2.5	= 2.5	= 2.5	= 2.5	= 2.3	= 2.3

Wear hearing protection!

Vibration total values a_h (tri-ax vector sum) and uncertainty K determined according to EN 60335-2-79:

	3 600 ...	J 10 4..	J 10 5..	J 10 6..	J 10 7..	J 10 8..	J 10 9..
Vibration emission value a_h	m/s^2	= 1.841	= 1.841	= 1.841	= 1.841	= 1.841	= 1.841
Uncertainty K	m/s^2	= 1.5	= 1.5	= 1.5	= 1.5	= 1.5	= 1.5

Declaration of Conformity

	3 600 ...	J 10 4..	J 10 5..	J 10 6..	J 10 7..	J 10 8..	J 10 9..
We declare under our sole responsibility that the product described under "Technical data" is in conformity with all relevant provisions of the directives 2011/65/EU, until 19 April 2016: 2004/108/EC, from 20 April 2016 on: 2014/30/EU, 2006/42/EC, 2000/14/EC including their amendments and complies with the following standards: EN 60335-1, EN 60335-2-79. 2000/14/EC: Guaranteed sound power level: Conformity assessment procedure according to Annex V.	dB(A)	92	92	92	92	91	91

28 | English

Equipment category: 27

Technical file (2006/42/EC, 2000/14/EC) at:
Bosch Lawn and Garden Ltd., PT-HG/ENS-PA2,
Stowmarket, Suffolk IP14 1EY, England

Henk Becker	Helmut Heinzlmann
Executive Vice President	Head of Product Certification
Engineering	PT/ETM9

PPa.
Henk Becker *i.V. H. Heinzlmann*

Robert Bosch GmbH, Power Tools Division
70764 Leinfelden-Echterdingen, GERMANY
12.05.2015

Connecting to the water supply (see figure F)

Note: Rated output pressure can only be achieved, if the flow rate at the water input is sufficient. The flow rate is sufficient if a 10 litre bucket can be filled in less than 1 minute.

CAUTION: Permanent operation with lack of water at the water input can damage the pump.

NOTE: For a sufficient water supply use a short hose with a diameter not thinner than 1/2" (13 mm). Hoses longer than 10 m should have a diameter of 3/4" (19 mm). Open the water tap completely. All connections must be tight. Clean the water filters periodically (see chapter Maintenance).

- It is recommended to use always an external water filter (accessory). Check water filter for tight assembly.
- If necessary, screw on an hose adapter (not supplied with the machine).
- Connect a suitable water hose, best with 1/2" (13 mm) or 3/4" (19 mm) diameter.
- Open the water tap completely and check all connections for tightness.

Connecting to the mains (see figure G)

NOTE: Rated output pressure is only available, if the machine is connected to a stable mains voltage. Using a long connection cable with a thin wire cross section, an uncoiled cable drum, operating other machines concurrently at the same circuit or voltage fluctuations outside accessible tolerances impede motor starting or result in low output pressure.

Bleeding high-pressure washer and hoses (see figure G)

NOTE: Bleed the unit each time the water hose is connected to the water tap according the following procedure:

Leave the main switch at OFF (0) position.

Disconnect the lance from the gun.

- As soon the trigger of the gun is operated, air and water exits noisily. Hold the trigger until water exits steadily from the gun. Release the trigger.
- Reconnect the lance.

- Switch on the machine for operation.
- Press the safety release and operate the trigger of the gun.

Use with alternative water sources (see figure I)

This high-pressure washer will self prime and can draw water from water tanks and natural water sources. It's **IMPORTANT** that the water is clean and both BOSCH inlet filter and external filter are clear and fitted to the machine (see chapter Maintenance).

Open tanks/containers and natural water sources (see figure I)

Use the Self Priming accessory kit comprising:

- Inlet strainer with non return valve
- 3 m reinforced supply hose
- Universal coupling to the pressure washer

This enables the pressure washer to draw water up to 0.5 m above the water level in the source in approximately 25 – 50 seconds.



Submerge the 3 m hose in water to displace the air. Connect the 3 m supply hose to the pressure washer ensuring that the inlet strainer remains submerged in the water source.

Run the pressure washer with the lance disconnected until a steady flow of water appears

from the high pressure hose. Stop if this has not been achieved within 25 – 50 seconds and check all the connections. Switch off and connect the lance and nozzle to operate.

It is important to ensure that all hose and coupling connections are of good quality, air tight and that all washers are in good condition and correctly seated in place. Failure to do so may affect the self priming performance.

Water Tanks with outlet connections (see figure I)

When connecting the pressure washer to a water tank with a suitable tap outlet, first connect the supply hose (not provided) to the tank outlet, open the tap to allow the water to displace all the air in the hose and then connect to the pressure washer.

Use of detergents (see figure J)

Only use detergents recommended by the manufacturer. Comply with the application, disposal and warning instructions of the detergent manufacturers.

Pull out the suction hose at the rear and put it into a bottle with detergent (not supplied with).

Pull the nozzle of the lance into low pressure position.

Switch on the gun. After a few seconds foam exits at the nozzle.

Adjust the knob at the rear to dose the quantity.

Turn the nozzle left/right to adjust the water jet.

Troubleshooting

Problem	Possible Cause	Corrective Action
Motor refuses to start	Plug not connected	Connect plug
	Mains socket faulty	Use another socket
	Fuse faulty/blown	Replace fuse
	Extension cable damaged	Try without extension cable
	Motor protector has activated	Allow to cool for 15 minutes
	Frozen	Wait for pump/water supply hose/accessory to thaw
Motor stops	Fuse faulty/blown	Replace fuse
	Wrong mains voltage	Check that mains voltage corresponds to specifications on the model tag
	Motor protector has activated	Allow to cool for 15 minutes
Fuses blow	Fuses incorrectly rated	Change to a mains supply higher than the pressure washer amp consumption
Motor starts but no pressure	Nozzle partly blocked	Clean nozzle
Motor "sounds" but fails to start	Insufficient power supply	Check that the voltage of the mains power supply line is the same as that on the plate
	Voltage loss due to use of extension cable	Check characteristics of extension cable
	Appliance not used for a long period of time	Contact your Bosch Service Centre
	Problems with TSS (Total Stop System) device	Contact your Bosch Service Centre
Pressure pulsating	Air in the inlet water supply hose/pump	Allow pressure washer to run with open spray handle and nozzle at low pressure until regular working pressure is obtained
	Inadequate water supply	Check that the water supply corresponds to specifications. The minimum specification for the water supply hose is 1/2" or 13 mm diameter
	Water filter blocked	Clean water filter
	Water supply hoses squeezed	Straighten out kinked water supply hoses
	High pressure hose too long	Remove high pressure extension hose. Retry (extension hose max. 7 m)
Pressure too low, but steady	Nozzle worn	Change the nozzle
	Note: Several types of accessory will normally deliver a lower pressure	Start/stop valve worn
Motor starts up but with restricted or no working pressure	No water supply	Connect water supply
	Water filter clogged up	Clean the water filter
	Nozzle clogged up	Clean nozzle
The pressure washer starts irregularly by itself	Pump/power gun leaky	Contact your Bosch Service Centre
Water leaks from machine	Leaking pump	A slight water leak is permissible; in case of excessive leak, contact Bosch Service Centre

30 | English

Problem	Possible Cause	Corrective Action
No detergent taken in	Adjustable nozzle on high pressure setting	Set nozzle on low pressure setting
	Detergent too dense	Dilute with water
	High pressure hose extension being used	Fit original hose
	Deposits or restriction in detergent circuit	Flush with clean water and eliminate any restrictions. If the problem persists, contact your Bosch Service Centre.

Draining Machine after use (see figure L)

Disconnect the water hose from the water tap.

Disconnect the lance from the gun.

Direct the gun to the ground and switch on the machine for operation.

Operate the trigger of the gun and drain all water from the system.

CAUTION: Do not run the machine longer than 25 seconds.

Store the high-pressure washer in a dry place.

CAUTION: Scaling and frost damages are not covered under warranty. Remaining water in the machine will freeze at temperatures below 0 °C and destroy the pump. Within climate zones where temperature can reach 4 °C or below, the machine must be drained after last use if being stored prior to the cold season.

Maintenance and Service

Maintenance

- **Stop, remove plug from the power supply and disconnect from water supply.**

Note: To ensure long and reliable service, carry out the following maintenance regularly.

Check for obvious defects such as loose fixings, and worn or damaged components.

Check that covers and guards are undamaged and correctly fitted. Carry out necessary maintenance or repairs before using.

We recommend to service the product every 200 (GHP 5-55, GHP 5-65, GHP 5-65 X, GHP 500 X)/300 (GHP 5-75, GHP 5-75 X) hours of running time with the authorised Bosch Service Centre.

Clean the filters periodically once a week. Mention cleaning with vinegar can remove scales faster. Keep it immersed in vinegar for 30 mins. (see figures M – N)

Clean the nozzle.

Grease the O rings. (see figure O)

After-sales Service and Application Service

www.bosch-professional.com

In all correspondence and spare parts orders, please always include the 10-digit article number given on the type plate of the machine.

Great Britain

Robert Bosch Ltd. (B.S.C.)

P.O. Box 98

Broadwater Park

North Orbital Road

Denham

Uxbridge

UB 9 5HJ

At www.bosch-pt.co.uk you can order spare parts or arrange the collection of a product in need of servicing or repair.

Tel. Service: (0344) 7360109

E-Mail: boschservicecentre@bosch.com

Ireland

Origo Ltd.

Unit 23 Magna Drive

Magna Business Park

City West

Dublin 24

Tel. Service: (01) 4666700

Fax: (01) 4666888

Australia, New Zealand and Pacific Islands

Robert Bosch Australia Pty. Ltd.

Power Tools

Locked Bag 66

Clayton South VIC 3169

Customer Contact Center

Inside Australia:

Phone: (01300) 307044

Fax: (01300) 307045

Inside New Zealand:

Phone: (0800) 543353

Fax: (0800) 428570

Outside AU and NZ:

Phone: +61 3 95415555

www.bosch.com.au

Republic of South Africa

Customer service

Hotline: (011) 6519600

Gauteng – BSC Service Centre

35 Roper Street, New Centre

Johannesburg

Tel.: (011) 4939375

Fax: (011) 4930126

E-Mail: bsctools@icon.co.za

KZN – BSC Service Centre

Unit E, Almar Centre
143 Crompton Street
Pinetown
Tel.: (031) 7012120
Fax: (031) 7012446
E-Mail: bsc.dur@za.bosch.com

Western Cape – BSC Service Centre

Democracy Way, Prosperity Park
Milnerton
Tel.: (021) 5512577
Fax: (021) 5513223
E-Mail: bsc@zsd.co.za

Bosch Headquarters

Midrand, Gauteng
Tel.: (011) 6519600
Fax: (011) 6519880
E-Mail: rbsa-hq.pts@za.bosch.com

Environmental Protection

Chemicals dangerous to the environment must not be allowed to enter the ground, ground water or ponds, streams, etc.

For the use of cleaning agents, observe the instructions on the package and the prescribed concentration exactly.

For the cleaning of motor vehicles the local regulations should be observed: Do not allow oil sprayed off to enter into the ground water. Recycle raw materials instead of waste disposal.

Disposal

The pressure washer, accessories and packaging should be sorted for environmental-friendly recycling.

Do not dispose of pressure washers into household waste!

Only for EC countries:

According to the European directive 2012/19/EU for Waste Electrical and Electronic Equipment and its implementation into national law, electrical and electronic equipment that are no longer usable must be collected separately and disposed of in an environmentally correct manner.

Subject to change without notice.

Français**Avertissements de sécurité****Symboles sur l'appareil**

Il est impératif de lire toutes les consignes de sécurité et toutes les instructions. Le

non-respect des avertissements et instructions indiqués ci-après peut conduire à une électrocution, un incendie et/ou de graves blessures.



Indications générales sur d'éventuels dangers.



Ne pas diriger le jet d'eau vers des personnes, animaux, l'appareil ou les parties électriques.

Attention : Le jet à haute pression peut être dangereux s'il est utilisé de façon non-conforme.



Conformément aux règlements en vigueur, cet appareil ne doit jamais être raccordé au réseau de distribution d'eau sans disconnecteur. Utilisez un disconnecteur du type BA conformément à la norme IEC 61770.

L'eau qui coule par le disconnecteur ne peut plus être considérée comme potable.

Pour un auto-amorçage, utilisez un jeu d'aspiration (F 016 800 335) de 3 m de long.

Qualification de l'utilisateur et équipement de protection personnel

► Cet appareil peut être utilisé par des personnes souffrant d'un handicap