

Robert Bosch GmbH

Power Tools Division
70764 Leinfelden-Echterdingen
GERMANY

www.bosch-pt.com

2 609 932 934 (2014.10) T / 218 EURO



2 609 932 934

GOP Professional

250 CE | 300 SCE



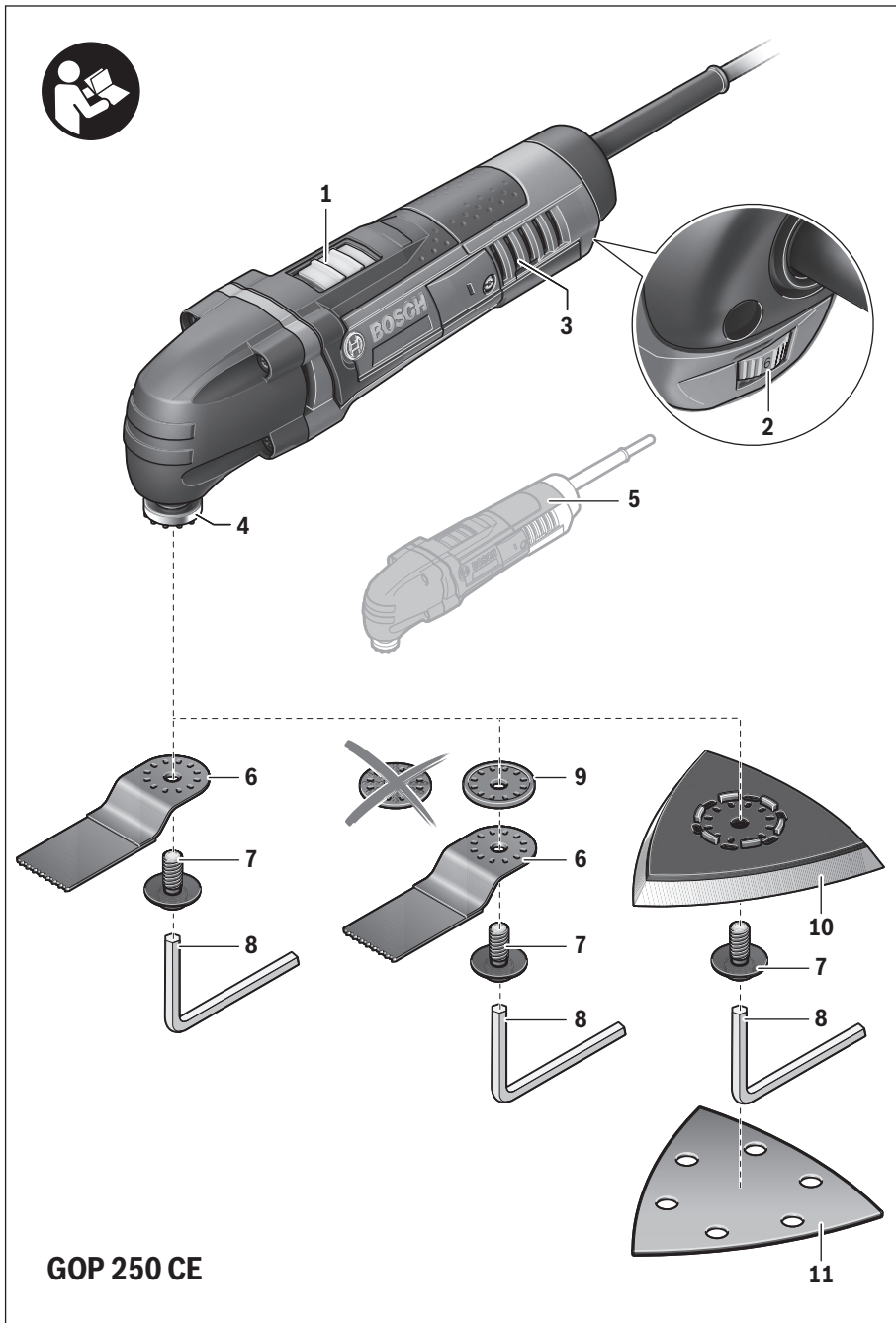
de Originalbetriebsanleitung	pl Instrukcja oryginalna	sr Originalno uputstvo za rad
en Original instructions	cs Původní návod k používání	sl Izvirna navodila
fr Notice originale	sk Pôvodný návod na použitie	hr Originalne upute za rad
es Manual original	hu Eredeti használati utasítás	et Algupärane kasutusjuhend
pt Manual original	ru Оригинальное руководство по эксплуатации	lv Instrukcijas oriģinālvalodā
it Istruzioni originali	uk Оригінальна інструкція з експлуатації	lt Originali instrukcija
nl Oorspronkelijke gebruiksaanwijzing	kk Пайдалану нұсқаулығының түпнұсқасы	ar تعليمات التشغيل الأصلية
da Original brugsanvisning	ro Instrucțiuni originale	fa دفترچه راهنمای اصلی
sv Bruksanvisning i original	bg Оригинална инструкция	
no Original driftsinstruks	mk Оригинално упатство за работа	
fi Alkuperäiset ohjeet		
el Πρωτότυπο οδηγιών χρήσης		
tr Orijinal işletme talimatı		



Deutsch.....	Seite	6
English	Page	12
Français	Page	19
Español	Página	26
Português	Página	33
Italiano	Pagina	40
Nederlands	Pagina	47
Dansk	Side	54
Svenska	Sida	60
Norsk.....	Side	66
Suomi	Sivu	72
Ελληνικά	Σελίδα	78
Türkçe.....	Sayfa	85
Polski	Strona	92
Česky	Strana	99
Slovensky	Strana	105
Magyar	Oldal	112
Русский	Страница	119
Українська	Сторінка	127
Қазақша	Бет	134
Română	Pagina	141
Български	Страница	148
Македонски	Страна	155
Srpski	Strana	162
Slovensko	Stran	169
Hrvatski.....	Stranica	175
Eesti	Lehekülj	181
Latviešu	Lappuse	187
Lietuviškai	Puslapis	194
عربي	صفحة	201
فارسی	صفحه	208



3 |

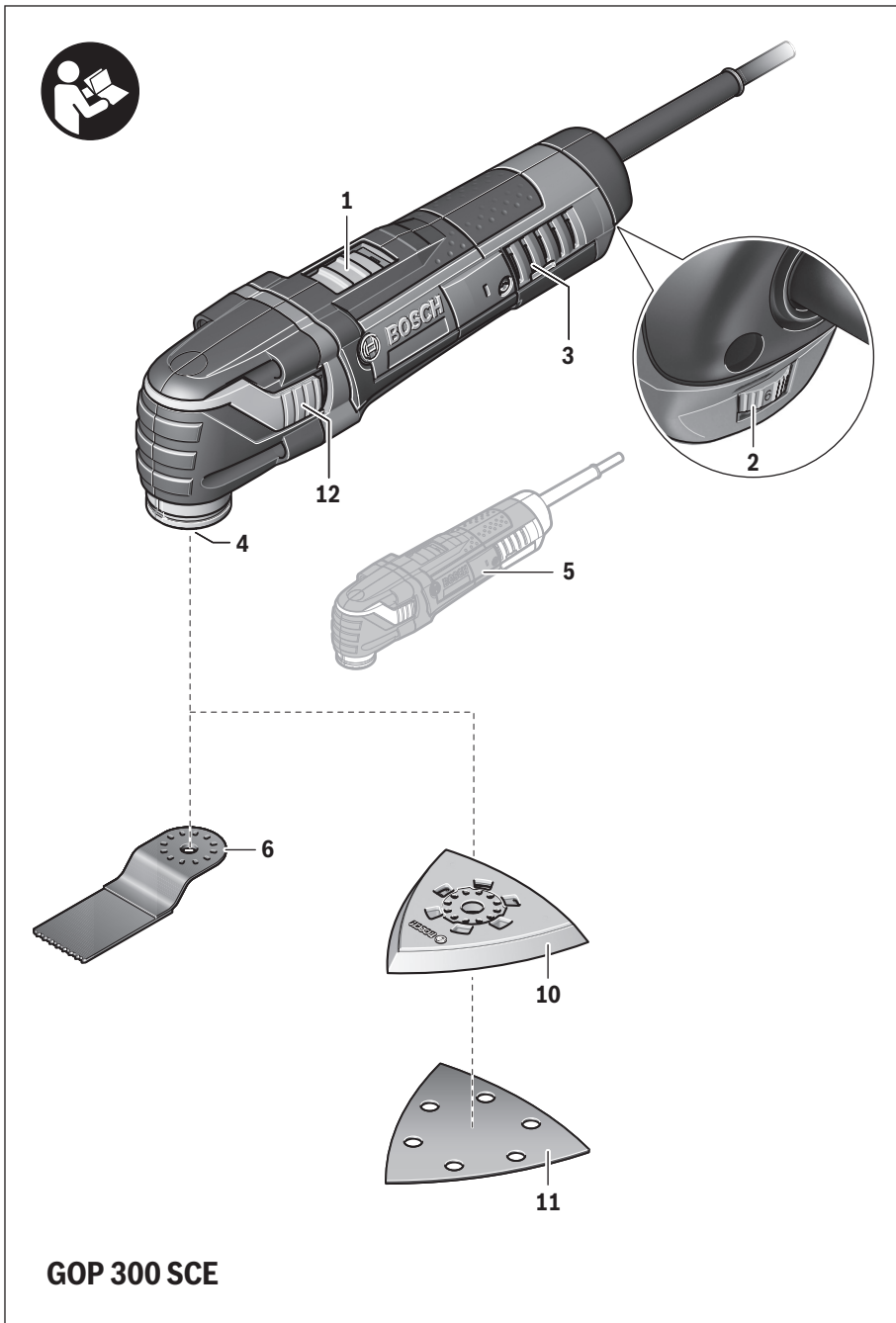


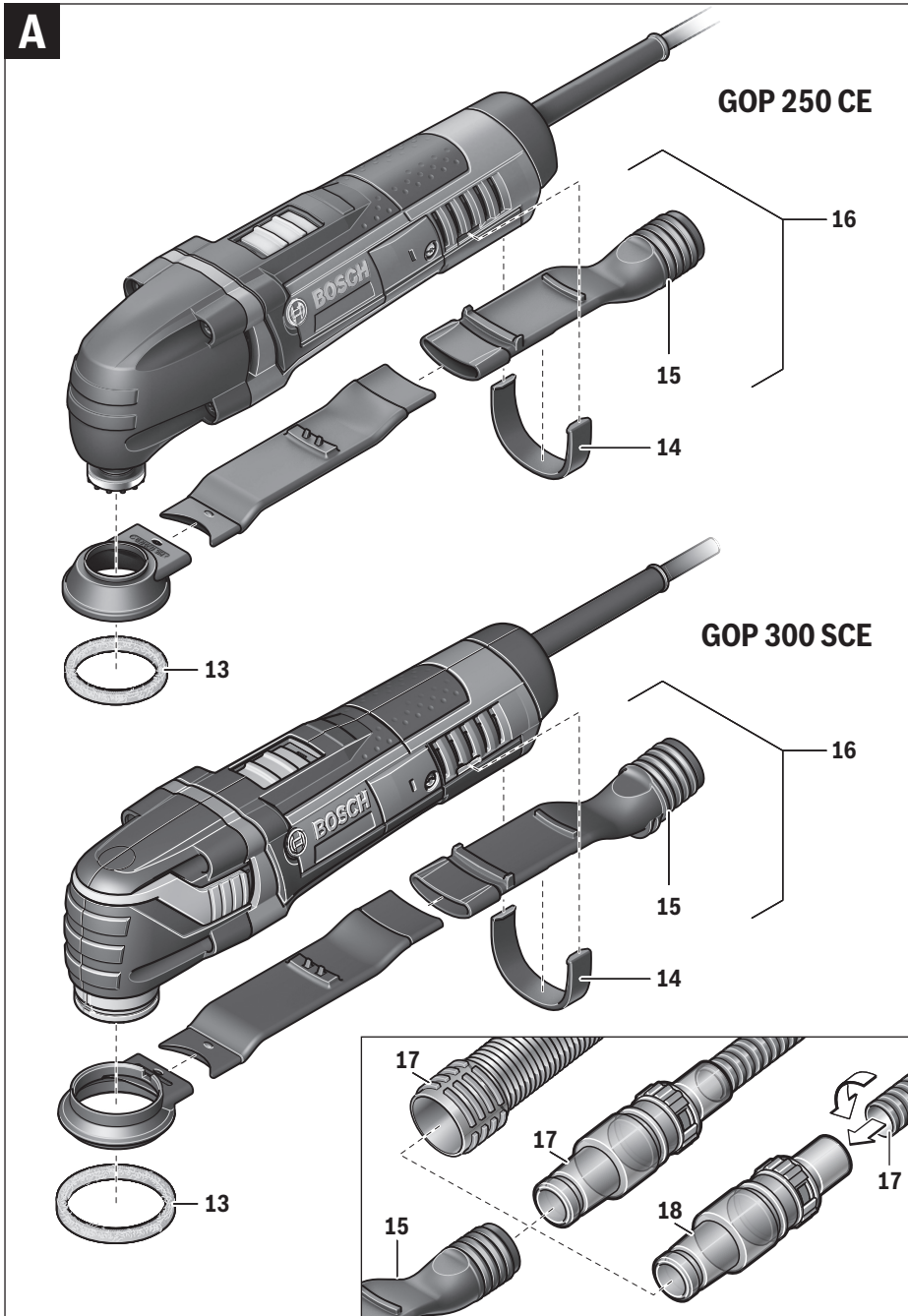
GOP 250 CE





4 |





12 | English

Beim punktuellen Schleifen kann sich das Schleifblatt stark erwärmen. Reduzieren Sie Schwingzahl und Anpressdruck, und lassen Sie das Schleifblatt regelmäßig abkühlen.

Benutzen Sie ein Schleifblatt, mit dem Metall bearbeitet wurde, nicht mehr für andere Materialien.

Verwenden Sie nur original Bosch-Schleifzubehör.

Schließen Sie zum Schleifen immer eine Staubabsaugung an.

Schaben

Wählen Sie beim Schaben eine hohe Schwingzahlstufe.

Arbeiten Sie auf weichem Untergrund (z. B. Holz) in flachem Winkel und mit geringem Anpressdruck. Der Spachtel kann sonst in den Untergrund schneiden.

Wartung und Service**Wartung und Reinigung**

► **Ziehen Sie vor allen Arbeiten am Elektrowerkzeug den Netzstecker aus der Steckdose.**

► **Halten Sie das Elektrowerkzeug und die Lüftungsschlitze sauber, um gut und sicher zu arbeiten.**

Reinigen Sie Riff-Einsatzwerkzeuge (Zubehör) regelmäßig mit einer Drahtbürste.

Wenn ein Ersatz der Anschlussleitung erforderlich ist, dann ist dies von Bosch oder einer autorisierten Kundendienststelle für Bosch-Elektrowerkzeuge auszuführen, um Sicherheitsgefährdungen zu vermeiden.

Kundendienst und Anwendungsberatung

Der Kundendienst beantwortet Ihre Fragen zu Reparatur und Wartung Ihres Produkts sowie zu Ersatzteilen. Explosionszeichnungen und Informationen zu Ersatzteilen finden Sie auch unter:

www.bosch-pt.com

Das Bosch-Anwendungsberatungs-Team hilft Ihnen gerne bei Fragen zu unseren Produkten und deren Zubehör.

Geben Sie bei allen Rückfragen und Ersatzteilbestellungen bitte unbedingt die 10-stellige Sachnummer laut Typenschild des Elektrowerkzeuges an.

www.powertool-portal.de, das Internetportal für Handwerker und Heimwerker.

Deutschland

Robert Bosch GmbH
Servicezentrum Elektrowerkzeuge
Zur Luhne 2

37589 Kalefeld – Willershausen

Unter www.bosch-pt.de können Sie online Ersatzteile bestellen oder Reparaturen anmelden.

Kundendienst: Tel.: (0711) 40040480

Fax: (0711) 40040481

E-Mail: Servicezentrum.Elektrowerkzeuge@de.bosch.com

Anwendungsberatung: Tel.: (0711) 40040480

Fax: (0711) 40040482

E-Mail: Anwendungsberatung.pt@de.bosch.com

Österreich

Unter www.bosch-pt.at können Sie online Ersatzteile bestellen.

Tel.: (01) 797222010

Fax: (01) 797222011

E-Mail: service.elektrowerkzeuge@at.bosch.com

Schweiz

Unter www.bosch-pt.com/ch/de können Sie online Ersatzteile bestellen.

Tel.: (044) 8471511

Fax: (044) 8471551

E-Mail: AfterSales.Service@de.bosch.com

Luxemburg

Tel.: +32 2 588 0589

Fax: +32 2 588 0595

E-Mail: outillage.gereedschap@be.bosch.com

Entsorgung

Elektrowerkzeuge, Zubehör und Verpackungen sollen einer umweltgerechten Wiederverwertung zugeführt werden.

Werfen Sie Elektrowerkzeuge nicht in den Hausmüll!

Nur für EU-Länder:

Gemäß der Europäischen Richtlinie 2012/19/EU über Elektro- und Elektronik-Altgeräte und ihrer Umsetzung in nationales Recht müssen nicht mehr gebrauchsfähige Elektrowerkzeuge getrennt gesammelt und einer umweltgerechten Wiederverwertung zugeführt werden.

Änderungen vorbehalten.

English**Safety Notes****General Power Tool Safety Warnings**

⚠ WARNING Read all safety warnings and all instructions. Failure to follow the warnings and instructions may result in electric shock, fire and/or serious injury.

Save all warnings and instructions for future reference.

The term "power tool" in the warnings refers to your mains-operated (corded) power tool or battery-operated (cordless) power tool.

Work area safety

- **Keep work area clean and well lit.** Cluttered or dark areas invite accidents.
- **Do not operate power tools in explosive atmospheres, such as in the presence of flammable liquids, gases or dust.** Power tools create sparks which may ignite the dust or fumes.
- **Keep children and bystanders away while operating a power tool.** Distractions can cause you to lose control.

Electrical safety

- ▶ **Power tool plugs must match the outlet. Never modify the plug in any way. Do not use any adapter plugs with earthed (grounded) power tools.** Unmodified plugs and matching outlets will reduce risk of electric shock.
- ▶ **Avoid body contact with earthed or grounded surfaces, such as pipes, radiators, ranges and refrigerators.** There is an increased risk of electric shock if your body is earthed or grounded.
- ▶ **Do not expose power tools to rain or wet conditions.** Water entering a power tool will increase the risk of electric shock.
- ▶ **Do not abuse the cord. Never use the cord for carrying, pulling or unplugging the power tool. Keep cord away from heat, oil, sharp edges and moving parts.** Damaged or entangled cords increase the risk of electric shock.
- ▶ **When operating a power tool outdoors, use an extension cord suitable for outdoor use.** Use of a cord suitable for outdoor use reduces the risk of electric shock.
- ▶ **If operating a power tool in a damp location is unavoidable, use a residual current device (RCD) protected supply.** Use of an RCD reduces the risk of electric shock.

Personal safety

- ▶ **Stay alert, watch what you are doing and use common sense when operating a power tool. Do not use a power tool while you are tired or under the influence of drugs, alcohol or medication.** A moment of inattention while operating power tools may result in serious personal injury.
- ▶ **Use personal protective equipment. Always wear eye protection.** Protective equipment such as dust mask, non-skid safety shoes, hard hat, or hearing protection used for appropriate conditions will reduce personal injuries.
- ▶ **Prevent unintentional starting. Ensure the switch is in the off-position before connecting to power source and/or battery pack, picking up or carrying the tool.** Carrying power tools with your finger on the switch or energising power tools that have the switch on invites accidents.
- ▶ **Remove any adjusting key or wrench before turning the power tool on.** A wrench or a key left attached to a rotating part of the power tool may result in personal injury.
- ▶ **Do not overreach. Keep proper footing and balance at all times.** This enables better control of the power tool in unexpected situations.
- ▶ **Dress properly. Do not wear loose clothing or jewellery. Keep your hair, clothing and gloves away from moving parts.** Loose clothes, jewellery or long hair can be caught in moving parts.
- ▶ **If devices are provided for the connection of dust extraction and collection facilities, ensure these are connected and properly used.** Use of dust collection can reduce dust-related hazards.

Power tool use and care

- ▶ **Do not force the power tool. Use the correct power tool for your application.** The correct power tool will do the job better and safer at the rate for which it was designed.

- ▶ **Do not use the power tool if the switch does not turn it on and off.** Any power tool that cannot be controlled with the switch is dangerous and must be repaired.
- ▶ **Disconnect the plug from the power source and/or the battery pack from the power tool before making any adjustments, changing accessories, or storing power tools.** Such preventive safety measures reduce the risk of starting the power tool accidentally.
- ▶ **Store idle power tools out of the reach of children and do not allow persons unfamiliar with the power tool or these instructions to operate the power tool.** Power tools are dangerous in the hands of untrained users.
- ▶ **Maintain power tools. Check for misalignment or binding of moving parts, breakage of parts and any other condition that may affect the power tool's operation. If damaged, have the power tool repaired before use.** Many accidents are caused by poorly maintained power tools.
- ▶ **Keep cutting tools sharp and clean.** Properly maintained cutting tools with sharp cutting edges are less likely to bind and are easier to control.
- ▶ **Use the power tool, accessories and tool bits etc. in accordance with these instructions, taking into account the working conditions and the work to be performed.** Use of the power tool for operations different from those intended could result in a hazardous situation.

Service

- ▶ **Have your power tool serviced by a qualified repair person using only identical replacement parts.** This will ensure that the safety of the power tool is maintained.

Safety Warnings for Multi-Cutters

- ▶ **Hold power tool by insulated gripping surfaces, when performing an operation where the cutting accessory may contact hidden wiring or its own cord.** Cutting accessory contacting a "live" wire may make exposed metal parts of the power tool "live" and could give the operator an electric shock.
- ▶ **Use the machine only for dry sanding.** Penetration of water into the machine increases the risk of an electric shock.
- ▶ **Caution, fire hazard! Avoid overheating the object being sanded as well as the sander. Always empty the dust collector before taking breaks.** In unfavourable conditions, e. g., when sparks emit from sanding metals, sanding debris in the dust bag, micro filter or paper sack (or in the filter sack or filter of the vacuum cleaner) can self-ignite. Particularly when mixed with remainders of varnish, polyurethane or other chemical materials and when the sanding debris is hot after long periods of working.
- ▶ **Keep hands away from the sawing range. Do not reach under the workpiece.** Contact with the saw blade can lead to injuries.
- ▶ **Use suitable detectors to determine if utility lines are hidden in the work area or call the local utility company for assistance.** Contact with electric lines can lead to fire and electric shock. Damaging a gas line can lead to explosion. Penetrating a water line causes property damage or may cause an electric shock.

14 | English

- ▶ **When working with the machine, always hold it firmly with both hands and provide for a secure stance.** The power tool is guided more secure with both hands.
- ▶ **Secure the workpiece.** A workpiece clamped with clamping devices or in a vice is held more secure than by hand.
- ▶ **Wear protective gloves when changing application tools/accessories.** Application tools/accessories become hot after prolonged usage.
- ▶ **Do not scrape wetted materials (e.g. wallpaper) or on moist surfaces.** Penetration of water into the machine increases the risk of an electric shock.
- ▶ **Do not treat the surface to be worked with solvent-containing fluids.** Materials being warmed up by the scraping can cause toxic vapours to develop.
- ▶ **Exercise extreme caution when handling the scraper.** The accessory is very sharp; danger of injury.
- ▶ **Products sold in GB only:** Your product is fitted with a BS 1363/A approved electric plug with internal fuse (ASTA approved to BS 1362).
If the plug is not suitable for your socket outlets, it should be cut off and an appropriate plug fitted in its place by an authorised customer service agent. The replacement plug should have the same fuse rating as the original plug.
The severed plug must be disposed of to avoid a possible shock hazard and should never be inserted into a mains socket elsewhere.
- ▶ **Products sold in AUS and NZ only:** Use a residual current device (RCD) with a rated residual current of 30 mA or less.

Product Description and Specifications



Read all safety warnings and all instructions. Failure to follow the warnings and instructions may result in electric shock, fire and/or serious injury.

While reading the operating instructions, unfold the graphics page for the machine and leave it open.

Technical Data

Multi-Cutter		GOP 250 CE	GOP 300 SCE
Article number		3 601 B30 0..	3 601 B30 5..
Preselection of orbital stroke rate		●	●
Rated power input	W	250	300
Output power	W	150	180
No-load speed n_0	min^{-1}	8000–20000	8000–20000
Oscillation angle, left/right	°	1.4	1.4
Weight according to EPTA-Procedure 01/2003	kg	1.5	1.6
Protection class		□/II	□/II

The values given are valid for a nominal voltage [U] of 230 V. For different voltages and models for specific countries, these values can vary.

Intended Use

The machine is intended for sawing and cutting wooden materials, plastic, gypsum, non-ferrous metals and fastening elements (e. g., unhardened nails, staples). It is also suitable for working soft wall tiles, as well as for dry sanding and scraping of small surfaces. It is especially suitable for working close to edges and for flush cutting. Operate the power tool exclusively with Bosch accessories.

Product Features

The numbering of the product features refers to the illustration of the machine on the graphics page.

- 1 On/Off switch
- 2 Thumbwheel for orbit frequency preselection
- 3 Venting slots
- 4 Tool holder
- 5 Handle (insulated gripping surface)
- 6 Plunge saw blade*
- 7 Clamping bolt with spring washer (GOP 250 CE)
- 8 Hex key
- 9 Adapter for tool holder (GOP 250 CE)
- 10 Sanding plate*
- 11 Sanding sheet*
- 12 SDS lever for releasing the application tool (GOP 300 SCE)
- 13 Felt ring of the dust extraction*
- 14 Retaining clip of the dust extraction*
- 15 Vacuum connection*
- 16 Dust extraction*
- 17 Vacuum hose*
- 18 Extraction adapter*

*Accessories shown or described are not part of the standard delivery scope of the product. A complete overview of accessories can be found in our accessories program.

Noise/Vibration Information

		GOP 250 CE	GOP 300 SCE
Sound emission values determined according to EN 60745-2-4.			
Typically the A-weighted noise levels of the product are			
Sound pressure level	dB(A)	81	79
Sound power level	dB(A)	92	90
Uncertainty K	dB	3	3
Wear hearing protection!			
Vibration total values a_h (triax vector sum) and uncertainty K determined according to EN 60745:			
Sanding:			
a_h	m/s^2	2	3
K	m/s^2	1.5	1.5
Sawing with plunge cut saw blade:			
a_h	m/s^2	10	10
K	m/s^2	1.5	1.5
Sawing with segment saw blade:			
a_h	m/s^2	6.5	5
K	m/s^2	1.5	1.5
Scraping:			
a_h	m/s^2	4.5	5
K	m/s^2	1.5	1.5

The vibration level given in this information sheet has been measured in accordance with a standardised test given in EN 60745 and may be used to compare one tool with another. It may be used for a preliminary assessment of exposure. The declared vibration emission level represents the main applications of the tool. However if the tool is used for different applications, with different accessories or insertion tools or is poorly maintained, the vibration emission may differ. This may significantly increase the exposure level over the total working period.

An estimation of the level of exposure to vibration should also take into account the times when the tool is switched off or when it is running but not actually doing the job. This may significantly reduce the exposure level over the total working period.

Identify additional safety measures to protect the operator from the effects of vibration such as: maintain the tool and the accessories, keep the hands warm, organisation of work patterns.

Declaration of Conformity 

We declare under our sole responsibility that the product described under "Technical Data" is in conformity with all relevant provisions of the directives 2011/65/EU, 2014/30/EU, 2006/42/EC including their amendments and complies with the following standards: EN 60745-1, EN 60745-2-4.

Technical file (2006/42/EC) at:

Robert Bosch GmbH, PT/ETM9,
70764 Leinfelden-Echterdingen, GERMANY

Henk Becker
Executive Vice President
Engineering

Helmut Heinzelmann
Head of Product Certification
PT/ETM9

Henk Becker *i.v. Helmut Heinzelmann*

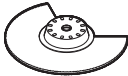









Robert Bosch GmbH, Power Tools Division
70764 Leinfelden-Echterdingen, GERMANY
Leinfelden, 24.09.2014

Assembly**Changing the Tool**

- ▶ **Before any work on the machine itself, pull the mains plug.**
- ▶ **Wear protective gloves when changing application tools/accessories.** Contact with the application tool/accessory can lead to injuries.

16 | English

Selecting the Application Tool/Accessory

Accessory	Material
 HCS wood segment saw blade*	Wooden materials, plastic
 BIM segment saw blade*	Wooden materials, plastic, non-ferrous metals
 HCS plunge cut saw blades, wood*	Wooden materials, plastic, gypsum and other soft materials
 BIM plunge cut saw blades, metal*	Metal (e. g. unhardened nails, screws, smaller profiles), non-ferrous metals
 BIM plunge cut saw blade, wood and metal*	Wood, metal, non-ferrous metals
 HM-Riff segment saw blade*	Grouting joints, soft wall tiles, glass-fibre reinforces plastic and other abrasive materials
 HM-Riff delta plate*	
 Scraper, rigid*	Carpets, coverings
 Scraper, flexible*	Silicone and other elastic materials
 Base plate for sanding, series Delta 93 mm*	Depends on sanding sheet

* Optional accessory; for the complete accessories please see Bosch accessory programme.

Mounting/Replacing the Application Tool/Accessory (GOP 250 CE)

If required, remove an already mounted application tool/accessory.

For removing the application tool/accessory, loosen the screw **7** with the hex key **8** and remove the application tool/accessory.

Mount the requested application tool/accessory (e.g. plunge cut saw blade **6**) in such a manner on the tool holder **4** that the offset faces downward (see illustration on the graphics page; marking on the application tool/accessory is readable from above).

Turn the application tool/accessory to a position favourable for the respective job, and allow it to engage into the cams of the tool holder **4**. 12 different positions are possible, each offset by 30°.

For more intermediate positions, the adapter **9** (accessory) can be used: Allow the adapter to engage with the smooth side onto the cams of the tool holder **4** (see illustration on the graphics page). Position the application tool/accessory onto the adapter in any position.

Fasten the application tool/accessory with bolt **7**. Tighten the bolt with hex key **8** until the spring washer of the bolt faces flush against the application tool/accessory.

► **Check the tight seating of the application tool/accessory.** Incorrect or not securely fastened application tools/accessories can come loose during operation and pose a hazard.

Mounting/Replacing the Application Tool/Accessory (GOP 300 SCE)

If required, remove an already mounted application tool/accessory.

For this, open the SDS lever **12** to the stop (not further) and remove the application tool.

Mount the requested application tool/accessory (e.g. plunge cut saw blade **6**) in such a manner on the tool holder **4** that the offset faces downward (see illustration on the graphics page; marking on the application tool/accessory is readable from above).

Turn the application tool/accessory to a position favourable for the respective job, and allow it to engage into the cams of the tool holder **4**. 12 different positions are possible, each offset by 30°.

Close SDS lever **12** so that it faces against the housing of the power tool.

► **Check the tight seating of the application tool/accessory.** Incorrect or not securely fastened application tools/accessories can come loose during operation and pose a hazard.

Mounting/Replacing a Sanding Sheet on the Sanding Plate

The sanding plate **10** is fitted with Velcro backing for quick and easy fastening of sanding sheets with Velcro adhesion.

Before attaching the sanding sheet **11**, free the Velcro backing of the sanding plate **10** from any debris by tapping against it in order to enable optimum adhesion.

Position the sanding sheet **11** flush alongside one edge of the sanding plate **10**, then lay the sanding sheet onto the sanding plate and press firmly.

To ensure optimum dust extraction, pay attention that the punched holes in the sanding sheet match with the holes in the sanding plate.

To remove the sanding sheet **11**, grasp it at one of the tips and pull it off from the sanding plate **10**.

You can use all sanding sheets, fleece pads/polishing cloth pads of the Delta 93 mm series of Bosch accessory program. Sanding accessories, such as fleece pads/polishing cloth pads, are attached to the sanding plate in the same manner.

Selecting the Sanding Sheet

Depending on the material to be worked and the required rate of material removal, different sanding sheets are available:

Sanding disc	Material	Application	Grain size	
best FOR Wood	<ul style="list-style-type: none"> - All wooden materials (e. g., hardwood, softwood, chipboard, building board) - Metal materials 	For coarse-sanding, e. g. of rough, unplanned beams and boards	coarse	40 60
		For face sanding and planing small irregularities	medium	80 100 120
		For finish and fine sanding of wood	fine	180 240 320 400
best FOR Paint	<ul style="list-style-type: none"> - Paint - Varnish - Filling compound - Filler 	For sanding off paint	coarse	40 60
		For sanding primer (e. g., for removing brush dashes, drops of paint and paint run)	medium	80 100 120
		For final sanding of primers before coating	fine	180 240 320 400

Dust/Chip Extraction

- ▶ Dusts from materials such as lead-containing coatings, some wood types, minerals and metal can be harmful to one's health. Touching or breathing-in the dusts can cause allergic reactions and/or lead to respiratory infections of the user or bystanders.

Certain dusts, such as oak or beech dust, are considered as carcinogenic, especially in connection with wood-treatment additives (chromate, wood preservative). Materials containing asbestos may only be worked by specialists.

- As far as possible, use a dust extraction system suitable for the material.
- Provide for good ventilation of the working place.
- It is recommended to wear a P2 filter-class respirator.

Observe the relevant regulations in your country for the materials to be worked.

- ▶ **Prevent dust accumulation at the workplace.** Dusts can easily ignite.

Connecting the Dust Extraction (see figure A)

For sanding, always connect the dust extraction.

Remove the application tool/accessory when mounting the dust extraction **16** (accessory).

If required, assemble the parts of the dust extraction **16** as shown in the figure. Position the assembled dust extraction onto the machine via the tool holder **4**. Turn the dust extraction in such a manner that the cams of the dust extraction engage into the corresponding recesses on the housing. Fasten the dust extraction to the machine with the retaining clip **14** as shown in the figure.

Pay attention that the felt ring **13** is undamaged and faces tightly against the sanding plate **10**. Replace a damage felt ring immediately.

Depending on the machine model, place a vacuum hose **17** (accessory) either directly onto the vacuum connection **15** or cut off the old hose end, screw the extraction adapter **18** (accessory) onto the hose end and insert it directly into the vacuum connection **15**. Connect the vacuum hose **17** with a vacuum cleaner (accessory). An overview for the connection of various vacuum cleaners can be found at the end of these instructions.

The vacuum cleaner must be suitable for the material being worked.

When vacuuming dry dust that is especially detrimental to health or carcinogenic, use a special vacuum cleaner.

Operation

- ▶ **Observe correct mains voltage! The voltage of the power source must agree with the voltage specified on the nameplate of the machine. Power tools marked with 230 V can also be operated with 220 V.**

Starting Operation

Switching On and Off

To **start** the machine, push the On/Off switch **1** forward so that the "I" is indicated on the switch.

To **switch off** the machine, push the On/Off switch **1** toward the rear so that the "0" is indicated on the switch.

To save energy, only switch the power tool on when using it.

Preselecting the Orbital Stroke Rate

With the thumbwheel for preselection of the orbital stroke rate **2**, you can preselect the required orbital stroke rate, even during operation.

18 | English

The required stroke rate depends on the material and the working conditions and can be determined through practical testing.

Working Advice

- ▶ **Before any work on the machine itself, pull the mains plug.**
- ▶ **Wait until the machine has come to a standstill before placing it down.**

Note: Do not cover off the venting slots **3** of the machine while working, as this reduces the working life of the machine.

Operating Principle

Due to the oscillating drive the application tool/accessory oscillates up to 20 000 times per minute at 2.8°. This allows for precise work in narrow spaces.



Work with low and uniform application pressure, otherwise, the working performance will decline and the application tool can become blocked.



While working, move the machine back and forth, so that the application tool does not heat up excessively and become blocked.

Sawing

- ▶ **Use only undamaged saw blades that are in perfect condition.** Bent or dull saw blades can break, negatively influence the cut, or lead to kickback.
- ▶ **When sawing light building materials, observe the statutory provisions and the recommendations of the material suppliers.**
- ▶ **Plunge cuts may only be applied to soft materials, such as wood, gypsum plaster boards, etc.!**

Before sawing with HCS saw blades in wood, particle board, building materials, etc., check these for foreign objects such as nails, screws, or similar. If required, remove foreign objects or use BIM saw blades.

Separating

Note: When separating wall tiles take into consideration that the application tools/accessories wear heavily when used for longer periods of time.

Sanding

The removal rate and the sanding pattern are primarily determined by the choice of sanding sheet, the preset oscillation rate and the applied pressure.

Only flawless sanding sheets achieve good sanding capacity and extend the service life of the machine.

Pay attention to apply uniform sanding pressure; this increases the working life of the sanding sheets.

Intensifying the sanding pressure does not lead to an increase of the sanding capacity, but to increased wear of the machine and the sanding sheet.

For precise on-the-spot sanding of edges, corners and hard to reach areas, it is also possible to work only with the tip or an edge of the sanding plate.

When selectively sanding on the spot, the sanding sheet can heat up considerably. Reduce the orbital stroke rate and the sanding pressure, and allow the sanding sheet to cool down regularly.

A sanding sheet that has been used for metal should not be used for other materials.

Use only original Bosch sanding accessories.

For sanding, always connect the dust extraction.

Scraping

For scraping, select a high oscillation rate.

Work on a soft surface (e. g. wood) at a flat angle, and apply only light pressure. Otherwise the scraper can cut into the surface.

Maintenance and Service

Maintenance and Cleaning

- ▶ **Before any work on the machine itself, pull the mains plug.**
- ▶ **For safe and proper working, always keep the machine and ventilation slots clean.**

Clean Riff application tools (accessory) regularly with a wire brush.

If the replacement of the supply cord is necessary, this has to be done by Bosch or an authorized Bosch service agent in order to avoid a safety hazard.

After-sales Service and Application Service

Our after-sales service responds to your questions concerning maintenance and repair of your product as well as spare parts. Exploded views and information on spare parts can also be found under:

www.bosch-pt.com

Bosch's application service team will gladly answer questions concerning our products and their accessories.

In all correspondence and spare parts order, please always include the 10-digit article number given on the type plate of the machine.

Great Britain

Robert Bosch Ltd. (B.S.C.)

P.O. Box 98

Broadwater Park

North Orbital Road

Denham

Uxbridge

UB 9 5HJ

At www.bosch-pt.co.uk you can order spare parts or arrange the collection of a product in need of servicing or repair.

Tel. Service: (0844) 7360109

E-Mail: boschservicecentre@bosch.com

Ireland

Origo Ltd.
Unit 23 Magna Drive
Magna Business Park
City West
Dublin 24
Tel. Service: (01) 4666700
Fax: (01) 4666888

Australia, New Zealand and Pacific Islands

Robert Bosch Australia Pty. Ltd.
Power Tools
Locked Bag 66
Clayton South VIC 3169
Customer Contact Center
Inside Australia:
Phone: (01300) 307044
Fax: (01300) 307045
Inside New Zealand:
Phone: (0800) 543353
Fax: (0800) 428570
Outside AU and NZ:
Phone: +61 3 95415555
www.bosch.com.au

Republic of South Africa**Customer service**

Hotline: (011) 6519600

Gauteng – BSC Service Centre

35 Roper Street, New Centre
Johannesburg
Tel.: (011) 4939375
Fax: (011) 4930126
E-Mail: bsctools@icon.co.za

KZN – BSC Service Centre

Unit E, Almar Centre
143 Crompton Street
Pinetown
Tel.: (031) 7012120
Fax: (031) 7012446
E-Mail: bsc.dur@za.bosch.com

Western Cape – BSC Service Centre

Democracy Way, Prosperity Park
Milnerton
Tel.: (021) 5512577
Fax: (021) 5513223
E-Mail: bsc@zsd.co.za

Bosch Headquarters

Midrand, Gauteng
Tel.: (011) 6519600
Fax: (011) 6519880
E-Mail: rbsa-hq.pts@za.bosch.com

Disposal

The machine, accessories and packaging should be sorted for environmental-friendly recycling.

Do not dispose of power tools into household waste!

Only for EC countries:

According to the European Guideline 2012/19/EU for Waste Electrical and Electronic Equipment and its implementation into national right, power tools that are no longer usable must be collected separately and disposed of in an environmentally correct manner.

Subject to change without notice.

Français**Avertissements de sécurité****Avertissements de sécurité généraux pour l'outil**

⚠ AVERTISSEMENT Lire tous les avertissements de sécurité et toutes les instructions. Ne pas suivre les avertissements et instructions peut donner lieu à un choc électrique, un incendie et/ou une blessure sérieuse.

Conservé tous les avertissements et toutes les instructions pour pouvoir s'y reporter ultérieurement.

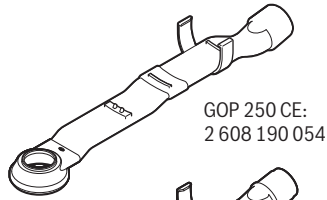
Le terme « outil » dans les avertissements fait référence à votre outil électrique alimenté par le secteur (avec cordon d'alimentation) ou votre outil fonctionnant sur batterie (sans cordon d'alimentation).

Sécurité de la zone de travail

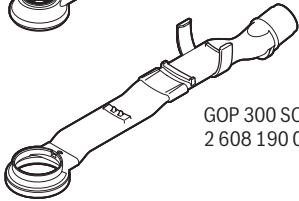
- ▶ **Conservé la zone de travail propre et bien éclairée.** Les zones en désordre ou sombres sont propices aux accidents.
- ▶ **Ne pas faire fonctionner les outils électriques en atmosphère explosive, par exemple en présence de liquides inflammables, de gaz ou de poussières.** Les outils électriques produisent des étincelles qui peuvent enflammer les poussières ou les fumées.
- ▶ **Maintenir les enfants et les personnes présentes à l'écart pendant l'utilisation de l'outil.** Les distractions peuvent vous faire perdre le contrôle de l'outil.

Sécurité électrique

- ▶ **Il faut que les fiches de l'outil électrique soient adaptées au socle. Ne jamais modifier la fiche de quelque façon que ce soit. Ne pas utiliser d'adaptateurs avec des outils à branchement de terre.** Des fiches non modifiées et des socles adaptés réduiront le risque de choc électrique.
- ▶ **Éviter tout contact du corps avec des surfaces reliées à la terre telles que les tuyaux, les radiateurs, les cuisinières et les réfrigérateurs.** Il existe un risque accru de choc électrique si votre corps est relié à la terre.
- ▶ **Ne pas exposer les outils à la pluie ou à des conditions humides.** La pénétration d'eau à l'intérieur d'un outil augmentera le risque de choc électrique.



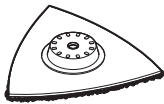
GOP 250 CE:
2 608 190 054



GOP 300 SCE:
2 608 190 056



2 608 661 642
(Ø 85 mm)



2 608 661 648
(78 mm)



2 608 661 646



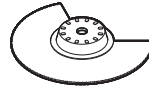
2 608 661 647



GOP 250 CE:
2 608 000 353

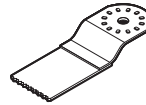


GOP 300 SCE:
2 608 000 493



HCS:
2 608 661 643 (Ø 85 mm, 1x)

BIM:
2 608 661 636 (Ø 85 mm, 1x)

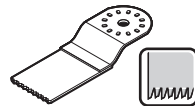


HCS:
2 608 661 637 (32 mm, 1x)
2 608 661 626 (32 mm, 5x)
2 608 661 638 (20 mm, 1x)
2 608 661 627 (20 mm, 5x)
2 608 661 639 (10 mm, 1x)

BIM:
2 608 661 640 (20 mm, 1x)
2 608 661 628 (20 mm, 5x)
2 608 661 641 (10 mm, 1x)



BIM:
2 608 661 644 (28 mm, 1x)
2 608 661 629 (28 mm, 5x)



BIM:
2 608 661 645 (32 mm, 1x)
2 608 661 630 (32 mm, 5x)

