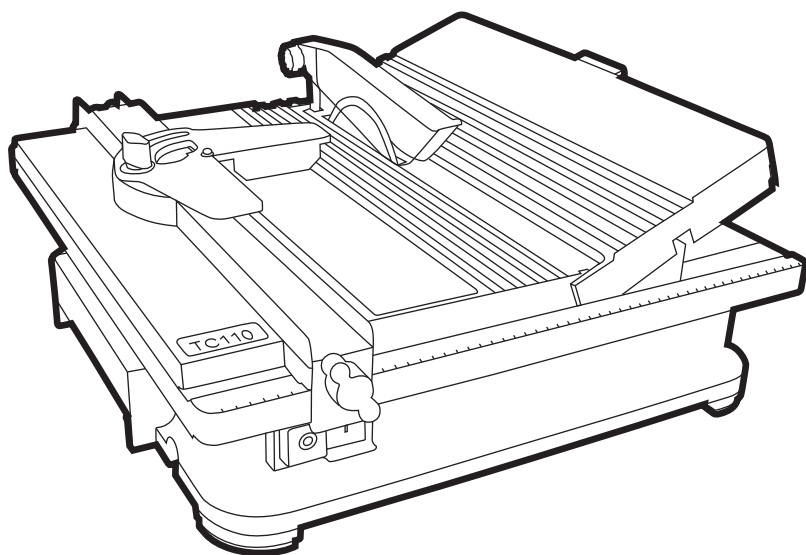


ENERGER

450W Tile Cutter



ENB522TCB

Barcode: 5052931248223



WARNING! Read the instructions before using the product!

ENERGER



Thank you for choosing a product **ENERGER** it will give you full satisfaction in your craft in the work.

The band saw is a product easy to use, it comes with accessories. For best use, you must read this notice. It will provide key information on the functions of the device and the rules to follow for maintenance.

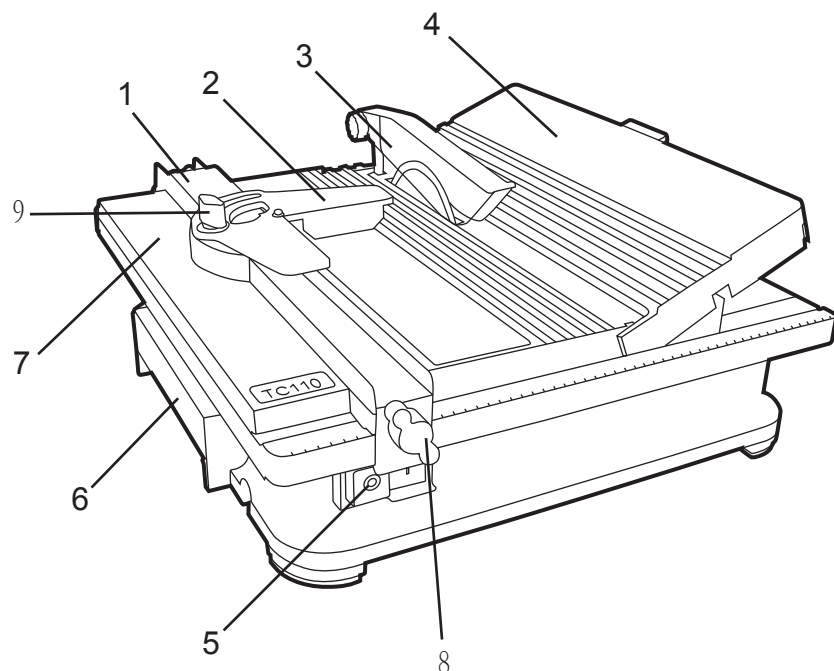
Please keep this manual for future reference later.

Let's get started...

These instructions are for your safety. Please read through them thoroughly before use and retain them for future reference.

	Getting started...	03
	Your product	04
	Technical and legal information	05
	Before you start	10
	In more detail...	14
	Product functions	15
	Operation	16
	Care and maintenance	18
	Trouble shooting	19
	Recycling and disposal	19
	Guarantee	20
	EC declaration of conformity	21

Your product



1. Parallel cutting guide
2. Angle cutting guide
3. Wheel guard
4. Water reservoir lid
5. On/Off switch
6. Carry handle
7. Extension table
8. Fixing knob
9. Fixing knob

Technical data

> Voltage/Frequency:	230-240V~ 50Hz
> Motor Power:	450W, S2:30min
> No-Load Speed:	5400/min
> Blade size:	ø110mm (D) - Bore ø22.23mm
> Max. Cutting Thickness:	To 90°:23mm – to 45°:16mm
> Protection Degree (IP):	IP44
> Table size (Unextended ~ Extended):	332 ~ 395mm (L) x 305mm (W)
> Weight:	3.7kg

Noise and Vibration Data

> A weighted sound pressure KpA:	93dB(A)
> Uncertainty KpA:	3dB
> A weighted sound power KwA:	106dB(A)
> Uncertainty KwA:	3dB
> Vibration level:	2.5 m/s ²
> Uncertainty K:	1.5m/s ²

A load factor of S2 30 min (temporary duty) means that you may operate the motor continuously at its nominal power level (450W) for no longer than the time stipulated on the specifications label (30minutes ON period). If you fail to observe this time limit the motor will overheat. During the OFF period the motor will cool again to its starting temperature.

The declared vibration total value has been measured in accordance with a standard test method and may be used for comparing one tool with another. The declared vibration total value may also be used in a preliminary assessment of exposure. **WARNING:** The vibration emission during actual use of the power tool can differ from the declared total value depending on the ways in which the tool is used. The need to identify safety measures and to protect the operator are based on an estimation of exposure in the actual conditions of use (taking account of all parts of the operating cycle, such as the times the tool is switched off, when it is running idle, in addition to trigger time).

Symbols



Warning! Denotes risk of personal injury, loss of life, or damage to the tool in case of non-observance



Wear ear protection.



Wear eye protection.



Wear respiratory protection.



The product complies with the applicable European directives and an evaluation method of conformity for this directives was done.



Read the instruction manual.



Wear protective gloves



Switch the product off and disconnect it from the power supply before assembly, cleaning, adjustments, maintenance, storage and transportation.



Wet cut only.



Caution, risk of cutting.



Use correct size of blades.



Do not use segmented blade.

yyWxx: Manufacturing date code; year of manufacturing (20yy) and week of manufacturing (Wxx)

IP44: Degree of protection provided by enclosure.

General safety



WARNING: When using electric tools basic safety precautions should always be followed to reduce the risk of fire, electric shock and personal injury including the following. Read all these instructions before attempting to operate this product and save these instructions.

- 1 Keep work area clear
 - > Cluttered areas and benches invite injuries.
- 2 Consider work area environment
 - > Do not expose tools to rain.
 - > Do not use tools in damp or wet locations.
 - > Keep work area well lit.
 - > Do not use tools in the presence of flammable liquids or gases.
- 3 Guard against electric shock
 - > Avoid body contact with earthed or grounded surfaces (e.g. pipes, radiators, ranges, refrigerators).
- 4 Keep other persons away
 - > Do not let persons, especially children, not involved in the work touch the tool or the extension cord and keep them away from the work area.
- 5 Store idle tools
 - > When not in use, tools should be stored in a dry locked-up place, out of reach of children.
- 6 Do not force the tool
 - > It will do the job better and safer at the rate for which it was intended.
- 7 Use the right tool
 - > Do not force small tools to do the job of a heavy duty tool. Do not use tools for purposes not intended; for example do not use circular saws to cut tree limbs or logs.
- 8 Dress properly
 - > Do not wear loose clothing or jewellery, they can be caught in moving parts.
 - > Non-skid footwear is recommended when working outdoors.
 - > Wear protective hair covering to contain long hair.
- 9 Use protective equipment
 - > Use safety glasses.
 - > Use face or dust mask if working operations create.
- 10 Connect dust extraction equipment
 - > If the tool is provided for the connection of dust extraction and collecting equipment, ensure these are connected and properly used.

General safety

- 11 Do not abuse the cord
 - > Never yank the cord to disconnect it from the socket.
 - > Keep the cord away from heat, oil and sharp edges.
- 12 Secure work
 - > Where possible use clamps or a vice to hold the work.
 - > It is safer than using your hand.
- 13 Do not over reach
 - > Keep proper footing and balance at all times.
- 14 Maintain tools with care
 - > Keep cutting tools sharp and clean for better and safer performance.
 - > Follow instruction for lubricating and changing accessories. Inspect tool cords periodically and if damaged have them repaired by an authorized service facility. Inspect extension cords periodically and replace if damaged. Keep handles dry, clean and free from oil and grease.
- 15 Disconnect tools
 - > When not in use, before servicing and when changing accessories such as blades, bits and cutters, disconnect tools from the power supply.
- 16 Remove adjusting keys and wrenches
 - > Form the habit of checking to see that keys and adjusting wrenches are removed from the tool before turning it on.
- 17 Avoid unintentional starting
 - > Ensure switch is in "off" position when plugging in.
- 18 Use outdoor extension leads
 - > When the tool is used outdoors, use only extension cords intended for outdoor use and so marked.
- 19 Stay alert
 - > Watch what you are doing, use common sense and do not operate the tool when you are tired.
- 20 Check damaged parts
 - > Before further use of tool, it should be carefully checked to determine that it will operate properly and perform its intended function.
 - > Check for alignment of moving parts, binding of moving parts, breakage of parts, mounting and any other conditions that may affect its operation.
 - > A guard or other part that is damaged should be properly repaired or replaced by an authorised service centre unless otherwise indicated in this instruction manual.
 - > Have defective switches replaced by an authorised service centre.
 - > Do not use the tool if the switch does not turn it on and off.
- 21 Warning
 - > The use of any accessory or attachment other than one recommended in this instruction manual may present a risk of personal injury.
- 22 Have your tool repaired by a qualified person
 - > This electric tool complies with the relevant safety rules. Repairs should only be carried out by qualified persons using original spare parts, otherwise this may result in considerable danger to the user.

Additional safety

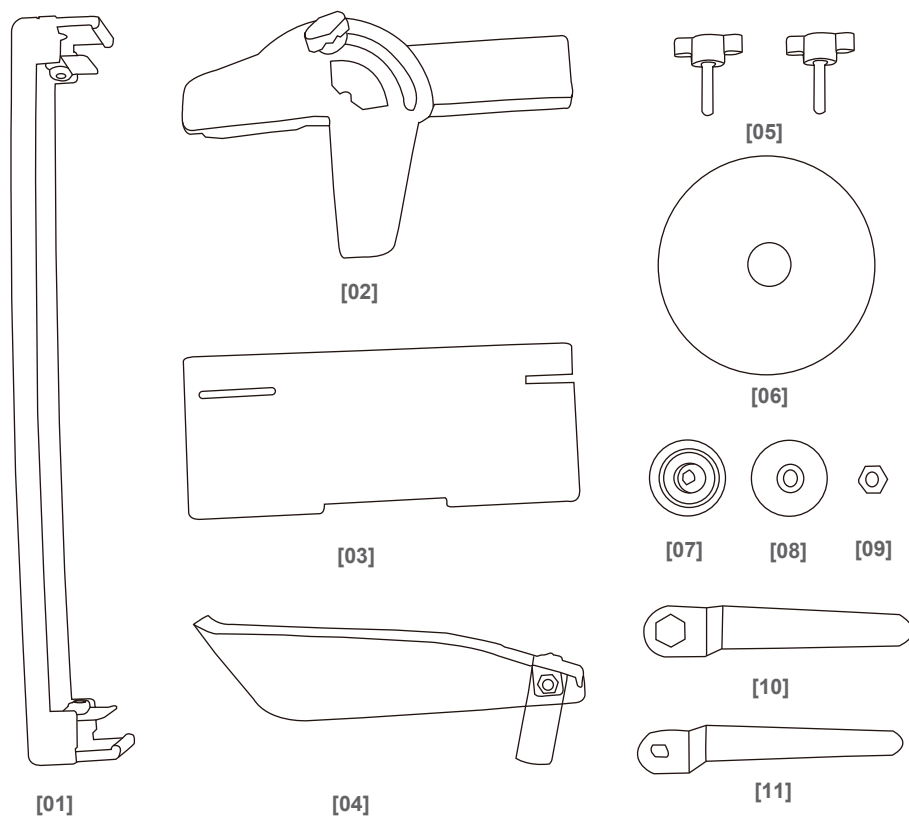
- > Do not use high speed steel (HS) blades.
- > The push-stick or push block should always be stored with the machine when not in use safe operation:
 - Use push-sticks or push blocks to feed the workpiece past the saw blade;
 - Use and correct adjustment of the riving knife;
 - Use and correct adjustment of the upper saw blade guard;
 - Rebating or grooving should not be carried out unless suitable guarding, such as a tunnel guard, is fitted above the saw table;
 - Saws shall not be used for slotting (stopped groove);
 - a table giving guidance on spindle speed selection for different materials to be sawn shall be given for variable speed tool;
 - use only saw blades for which the maximum possible speed is not less than the maximum spindle speed of the tool and the material to be cut;
 - when transporting the machine use only transportation devices and do never use guards for handling or transportation;
 - During transportation the upper part of the saw blade should be covered; for example by the guard; adjust the parallel stop to the width of workpiece you require.
- > Feed in the workpiece with two hands. Always use the push stick in the area of the saw blade.
- > Always push the workpiece through to the end of the splitter.
- > The machine must be supplied through a residual current device (RCD) having a rated residual operating current not exceeding 30 mA.

HEALTH ADVICE

- WARNING!** When sawing, dust particles will be produced. In some instances, depending on the materials you are working with, this dust can be particularly harmful to you (e.g. lead from old gloss paint). You are advised to consider the risks associated with the materials you are working with and to reduce the risk of exposure. You should:
- Work in a well-ventilated area.
 - Work with approved safety equipment, such as those dust masks that are specially designed to filter microscopic particles.

Unpack

- > Unpack all parts and lay them on a flat, stable surface.
- > Remove all packing materials and shipping devices if applicable.
- > Make sure the delivery contents are complete and free of any damage. If you find that parts are missing or show damage do not use the product but contact your dealer. Using an incomplete or damaged product represents a hazard to people and property.
- > Ensure that you have all the accessories and tools needed for assembly and operation. This also includes proper personal protective equipment.



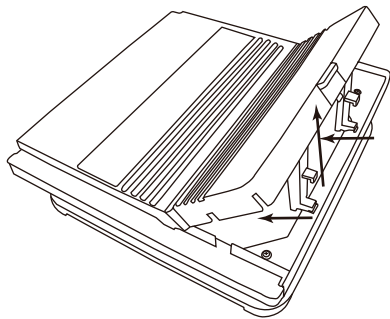
You will need

Items not supplied	Items supplied
1. Protective gloves	1. Blade
2. Protection glass	2. Spanner
3. Philip screwdriver	3. C-wrench

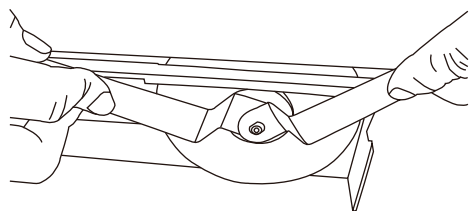
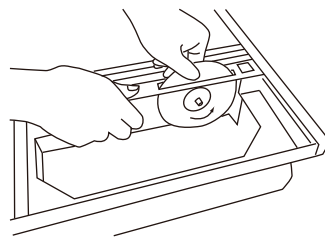
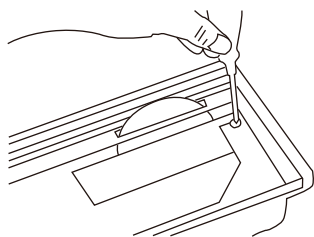
WARNING! Do not connect to power supply until assembly is complete. Failure to comply could result in accidental startin and possible serious injury.

Install the diamond wheel

1. Lift the water reservoir lid up to remove by bending the two pivot tabs at the front and back.

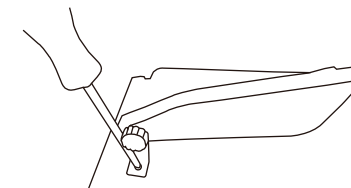
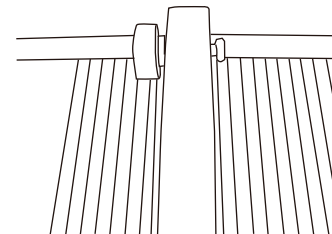


2. Remove the splash guard by releasing the screw. Loosen the locking nut whilst holding the spindle in place with the supplied spanners. Remove the locking nut and the outer flange. Fit the diamond wheel onto the inner flange noting the rotation direction on the diamond wheel. The direction arrows on the diamond wheel must be in the same direction as that marked on the wheel guard, or as that indicated around the spindle. Ensure that the diamond wheel is fully located and centred. Replace the outer flange ensuring that the flat side of the flange is against the diamond wheel; firmly tighten the locking nut using the spanners provided.



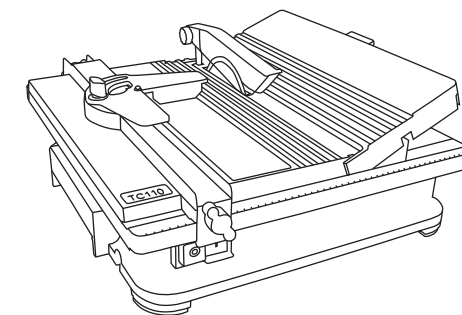
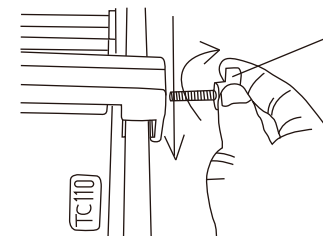
Install the accessories

- > Secure the guard fixing bracket to the cutting table using the supplied screw. Secure the wheel guard to the fixing bracket using the bolt and lock nut.



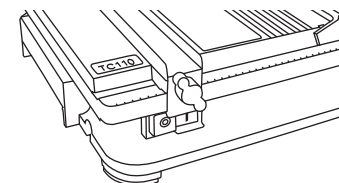
Install the guide

- > Locate the cutting guide to seat over the cutting guider at the front and back of the cutting table.
- > Fit cutting guide knobs (1).
- > Tighten the cutting guide knobs to clamp the cutting guide to the edge of the cutting table.



ON/OFF Switch

- > The saw can be switched on by pressing the green pushbutton "I".
- > The red pushbutton "0" has to be pressed to switch off the saw.








In more detail...

Product functions	15
Operation	16
Care and maintenance	18
Trouble shooting	19
Recycling and disposal	19
Guarantee	20
EC declaration of conformity	21

Put the tile cutter on a clean, stable and flat surface.

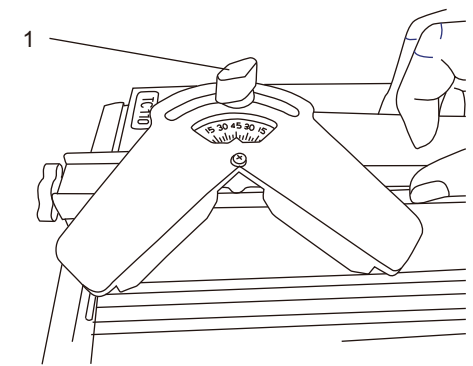
 **WARNING:** Before switching the tile cutter on, make sure that you have read and understood all of the safety instructions. Make sure also that the machine has been correctly assembled and adjusted. Make sure that the mains is disconnected from the supply when the tile cutter is not being used or adjustments are being made.

 **WARNING:** This machine must be powered through a residual current device (RCD).

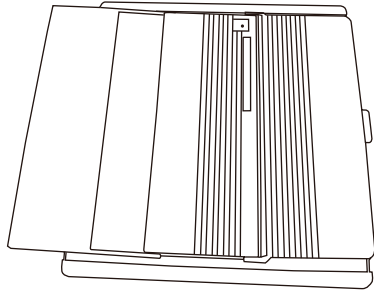
 **WARNING:** The disc will continue to rotate for a few seconds after the machine has been switched off. Wait for the disc to stop before removing the workpiece or making any adjustments.

Cutting guidance

1. To cut angled corners, position the angle cutting guide onto the fence; ensure the tile sits flush to the table bed and slowly move the guide along the fence. Unlock button (1) to adjust the angle of the cut

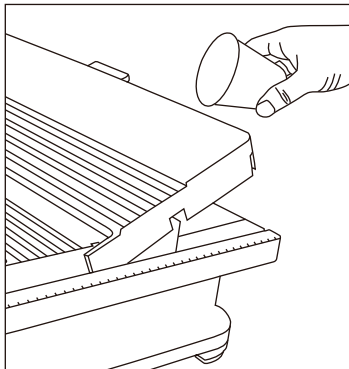


2. You can extend the extension table to support larger tiles when these are being cut.



Filling the water tank

- > Before cutting, the tank must be filled with water:
Fill two-thirds of the tray of cold and clear water. The water can cool and lubricate the disk during the cut and it also helps to remove dust.

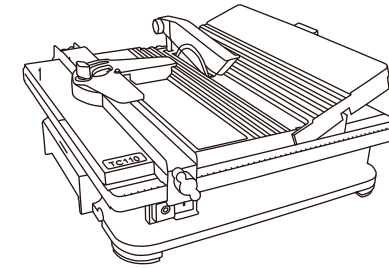


WARNING! Do not add chemicals or detergents to the water.

Mitre Cuts

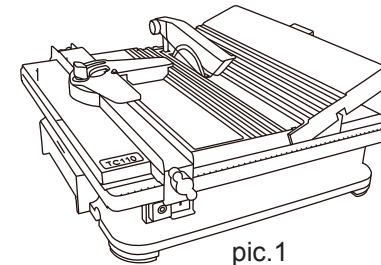
- > Lift up the water reservoir lid
Pull out the two lid supports located on the back of the water reservoir lid.
To cut 22.5° angles, place the two upper 22.5° mitre stays on the lid supports into the two slots located inside the water reservoir.

To cut 45° angles, place the two lower 45° mitre stays on the lid supports into the two slots located inside the water reservoir. Place the piece of tile facing down onto the water reservoir lid then push the work piece towards the diamond wheel.

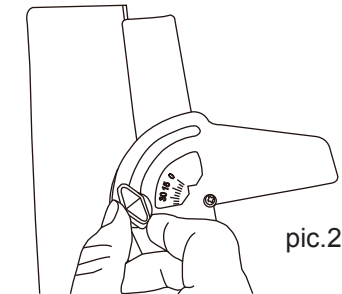


Straight cuts

- > Loosen the cutting guide knobs at both ends of the cutting guide.
Set the cutting guide to the desired size using the ruler guide.
Relock cutting guide knobs.
Place the piece of tile against the cutting guide then push the work piece towards the diamond wheel. (refer to pic.1)



pic.1



pic.2

Diagonal cuts

- > Loosen the cutting guide knobs at both ends of the cutting guide.
Set the cutting guide to the distance required. Relock the cutting guide knobs.
Hook the angle guide onto the cutting guide.
Choose the angle desired and tighten the bolt to secure the angle guide in conjunction with the cutting guide.
Push the angle guide together with the tile to be cut towards the diamond wheel. (refer to pic.2)



WARNING! Clean the water tank after 15min working.

Power cord

If the power cord is damaged, it must be replaced by the manufacturer, its service agent or similarly qualified persons in order to avoid a safety hazard.

UK plug

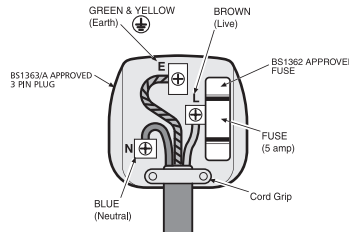
If you need to replace the fitted plug then follow the instructions below. **IMPORTANT:** The wires in the mains lead are coloured in accordance with the following code:

Blue – Neutral

Brown – Live

Green & Yellow – Earth

As the colours of the wires in the mains lead of this apparatus may not correspond with the coloured markings identifying the terminals in your plug, proceed as follows. The wire which is coloured blue, must be connected to



the terminal, which is marked with N or coloured black. The brown wire must be connected to the terminal which is marked with an L or coloured red. The green & yellow wire must be connected to the terminal which is marked Earth E. **WARNING:** Never connect live or neutral wires to the earth terminal of the plug. Only fit an Approved 13A BS1363 Plug with a 5Amp rated fuse.

NOTE: If a moulded plug is fitted and has to be removed take great care in disposing of the plug and severed cable, it must be destroyed to prevent engaging into a socket.

Repair

1. This product does not contain any parts that can be repaired by the consumer. Contact a qualified specialist to have it checked and repaired.

Storage

1. Clean the product as described above.
2. Store the product and its accessories in a dry, frost-free place.
3. Always store the product in a place that is inaccessible to children. The ideal storage temperature is between 10 and 30°C.
4. We recommend using the original package for storage or covering the product with a suitable cloth to protect it against dust.

Transportation

1. Switch the product off and disconnect it from power supply before transporting it anywhere.
2. Attach transportation guards, if applicable.
3. Always carry the product by its handle.
4. Protect the product from any heavy impact or strong vibrations which may occur during transportation in vehicles.
5. Secure the product to prevent it from slipping or falling over.

Trouble shooting

Suspected malfunctions are often due to causes that the user can fix themselves. Therefore check the product using this section. In most cases the problem can be solved quickly.

Problem	Possible cause	Solution
1. Product does not start	1.1 Not connected to power supply 1.2 Power cord or plug is defective 1.3 Other electrical defect to the product	1.1. Connect to power supply 1.2. Check by a specialist electrician. 1.3. Check by a specialist electrician
2. Product does not reach full power	2.1 Extension cord not suitable for operation with this product 2.2 Power source (e.g. generator) has too low voltage 2.3 Air vents are blocked	2.1. Use a proper extension cord 2.2. Connect to another power source 2.3. Clean the air vents
3. Unsatisfactory result	3.1 Accessory not suitable for work piece material	3.1. Use proper accessory



WARNING! Only perform the steps described within these instructions! All further inspection, maintenance and repair work must be performed by an authorised service centre or a similarly qualified specialist if you cannot solve the problem yourself!

Recycling and disposal



Waste electrical products should not be disposed of with household waste. Please recycle where facilities exist. Check with your Local Authority or local store for recycling advice.

Guarantee

This ENERGER product carries a guarantee of 12months.

If your product develops a fault within this period, you should, in the first instance contact the retailer where the item was purchased.

This guarantee specifically exclude losses caused due to:

- > Fair wear and tear
- > Misuse or abuse
- > Lack of routine maintenance
- > Failure of consumable items
- > Accidental damage
- > Cosmetic damage
- > Failure to follow manufacturer's guidelines
- > Loss of use of the goods This guarantee does not affect your statutory rights.

This guarantee is only valid in the UK. For any enquiries relating to the guarantee please refer to your retailer.



Declaration of conformity

We, Importer
Powersmith Ltd., BA22 8RT

Declare that the product:
Designation: 450w Tile Cutter
Model: ENB522TCB

Complies with the following Directives
2014/30/EU Electromagnetic Compantibility Directive
2006/42/EU Machinery Directive
2011/65/EU Restrictions of the Use of Certain Hazardous Substances
in Electrical and Electronic Equipment
2012/19/EU Waste Electrical and Electronic Equipment(WEEE)

Standards and technical specifications referred to:

EN61029-1/A11:2010
EN55014-1/A2:2011
EN55014-2/A2:2008
EN61000-3-2:2014
EN61000-3-3:2013

Authorised Signatory and technical file holder

Date : 20/04/2016

Signature: P.C. Harries

Name / title: Peter Harries / Quality Manager
Powersmith (UK) LTD. Trade House Mead Avenue, BA22 8RT



2016



Powersmith (UK) LTD.
Trade House Mead Avenue, BA22 8RT
