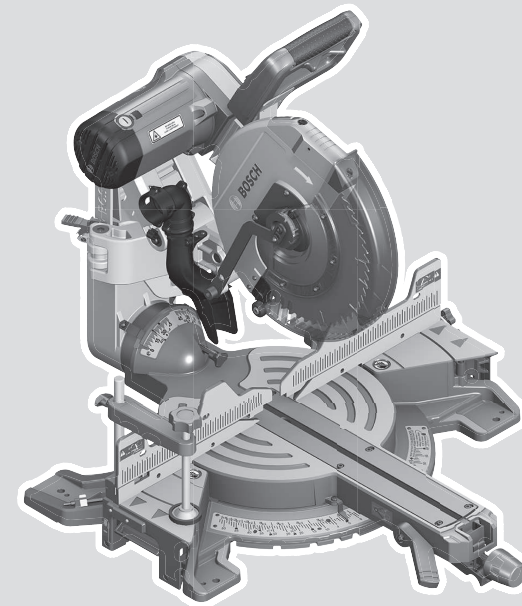




GCM 12 GDL Professional

HEAVY
DUTY



Robert Bosch Power Tools GmbH
70538 Stuttgart
GERMANY

www.bosch-pt.com

1 609 92A 5RS (2020.06) PS / 114

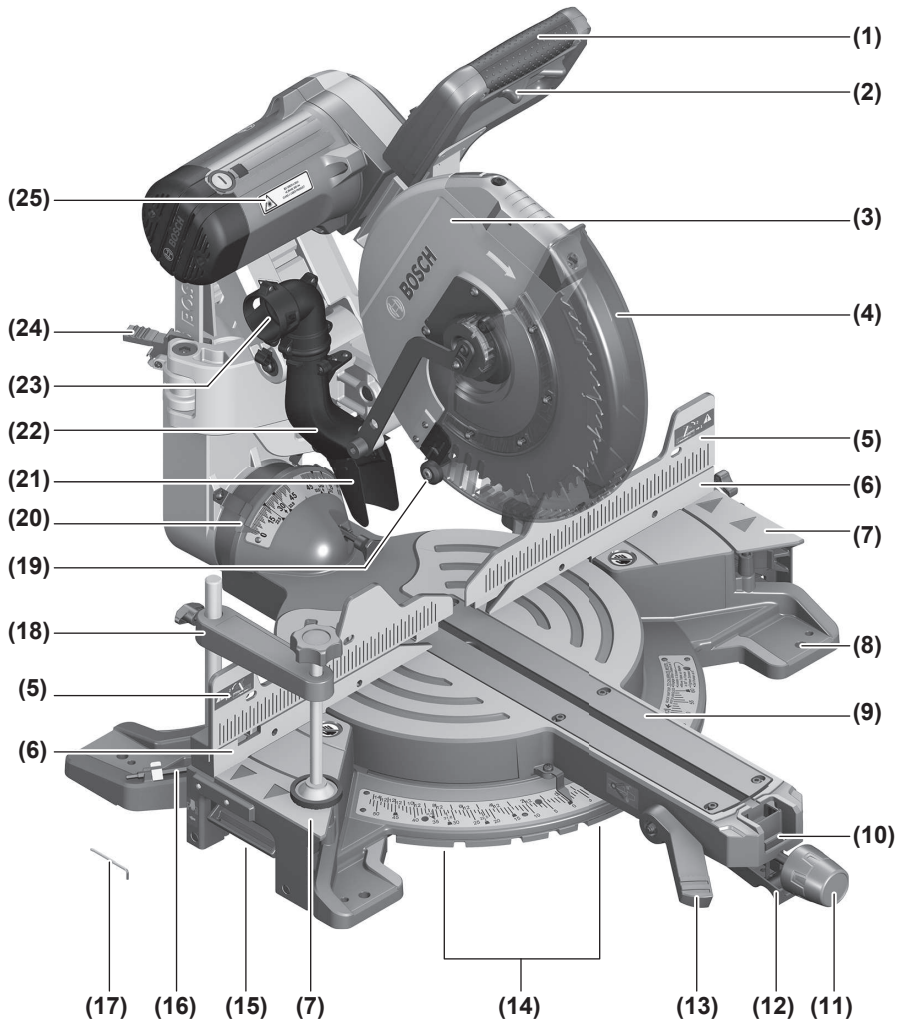


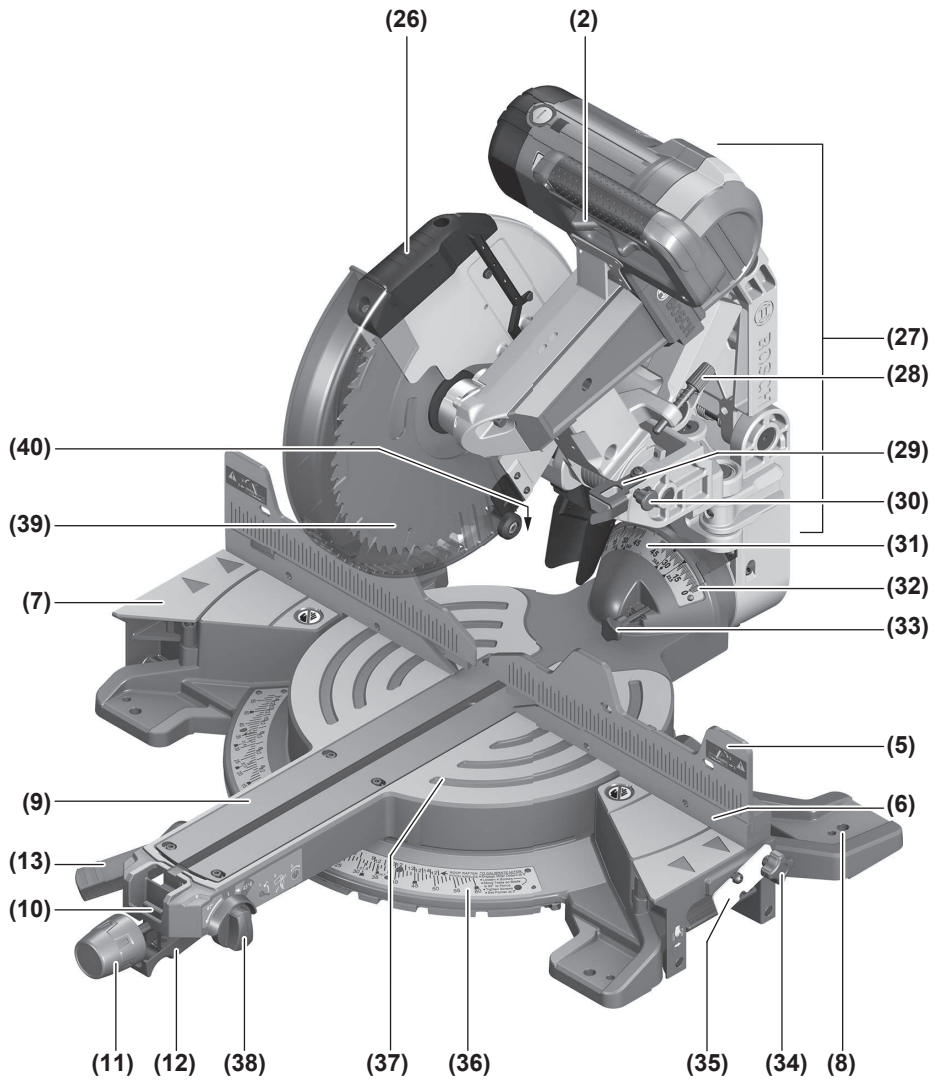
1 609 92A 5RS

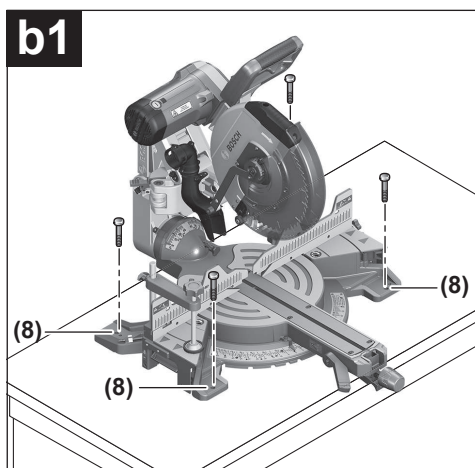
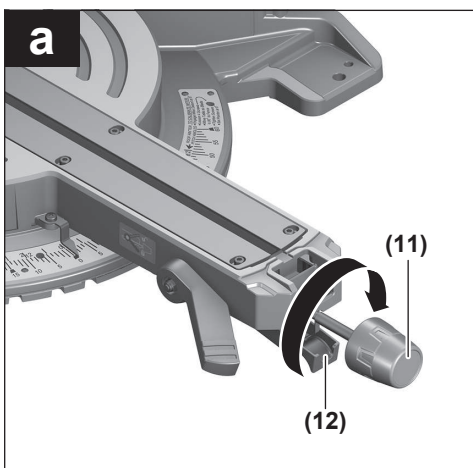
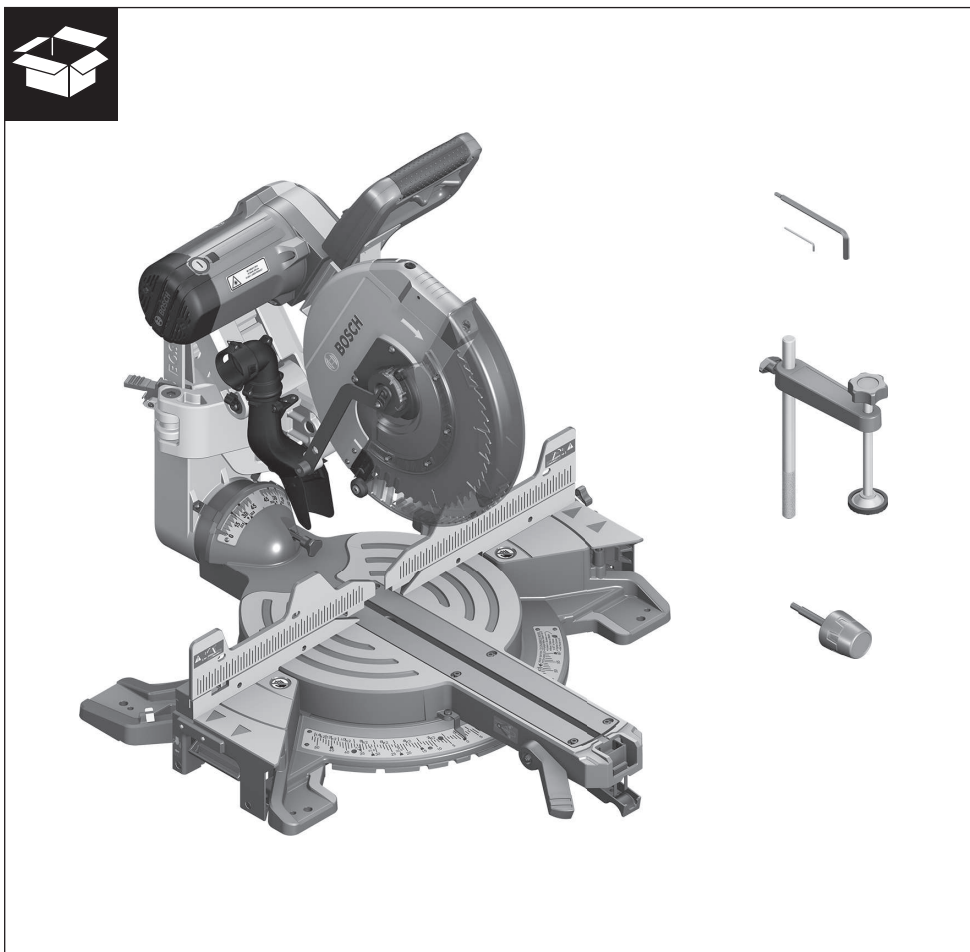
- en Original instructions
- zh 正本使用说明书
- zh 原始使用說明書
- ko 사용 설명서 원본
- th หนังสือคู่มือการใช้งานฉบับต้นแบบ
- id Petunjuk-Petunjuk untuk Penggunaan Orisinal
- vi Bản gốc hướng dẫn sử dụng

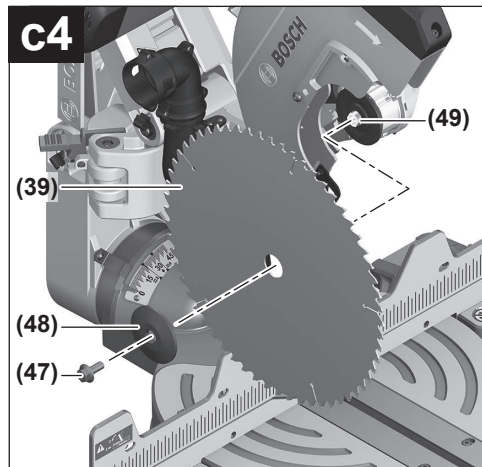
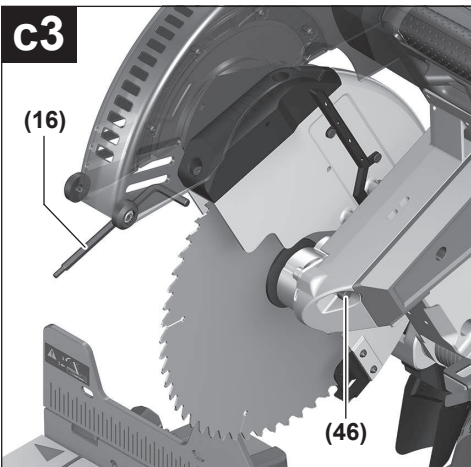
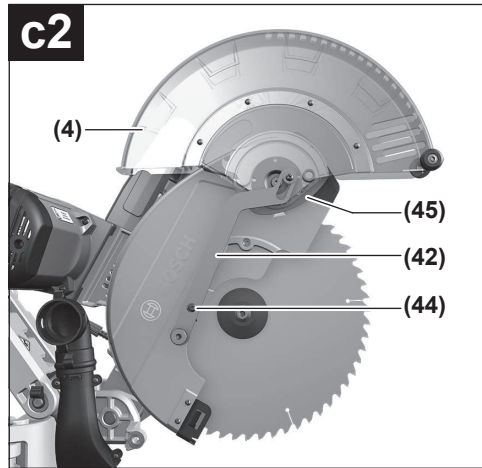
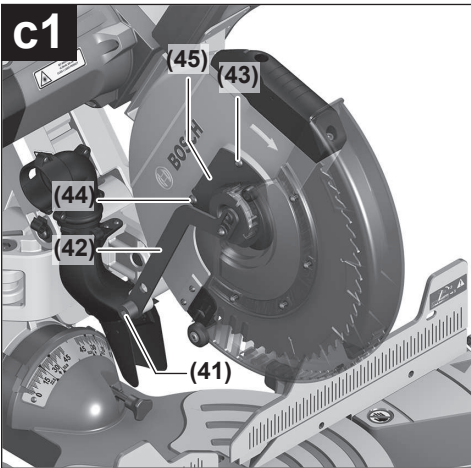
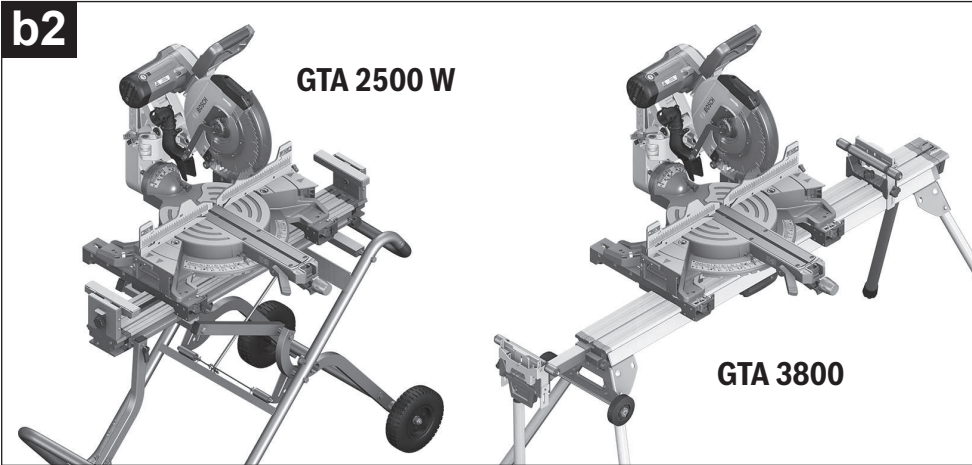


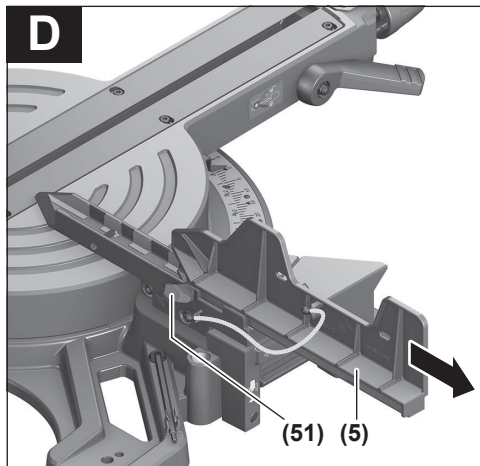
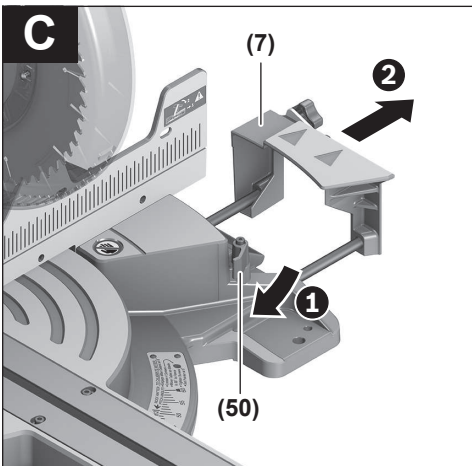
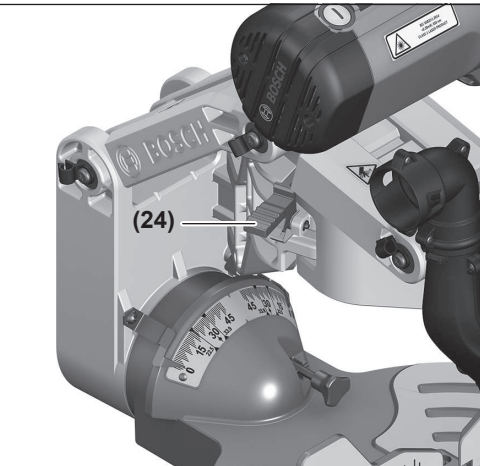
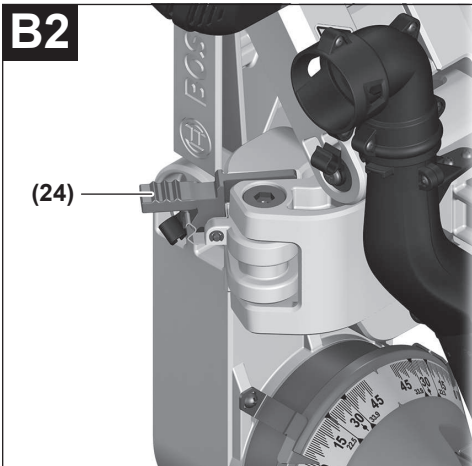
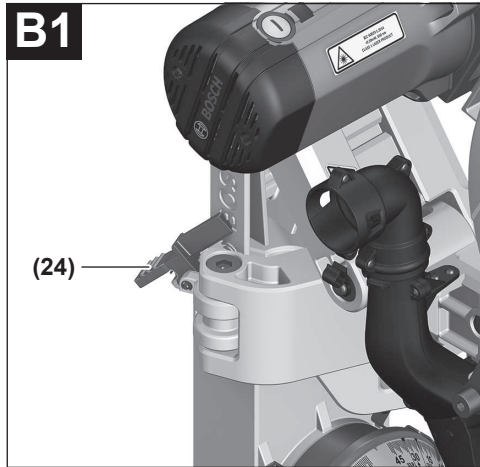
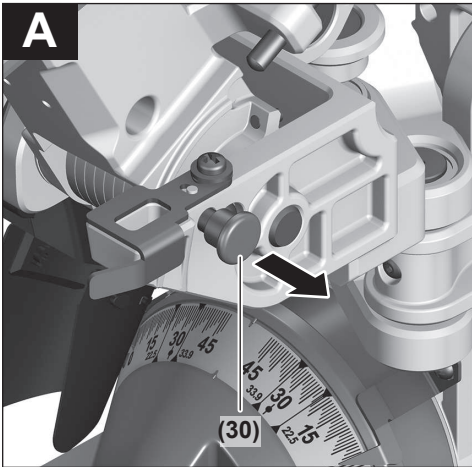
English	Page	15
中文	页	30
繁體中文	頁	42
한국어	페이지	54
ไทย	หน้า	67
Bahasa Indonesia	Halaman	84
Tiếng Việt	Trang	98

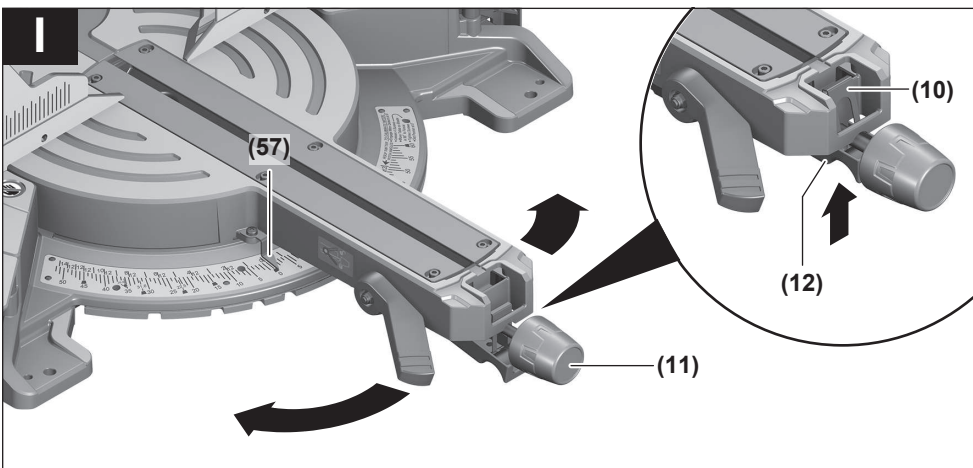
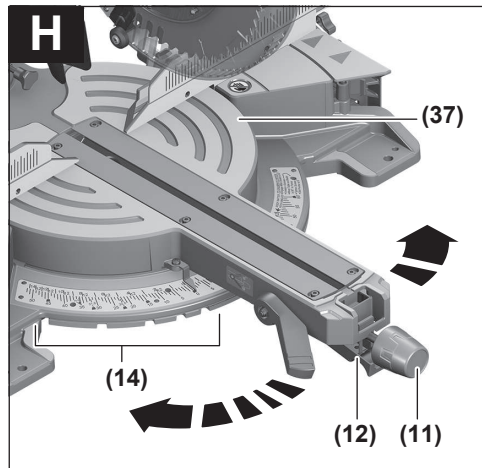
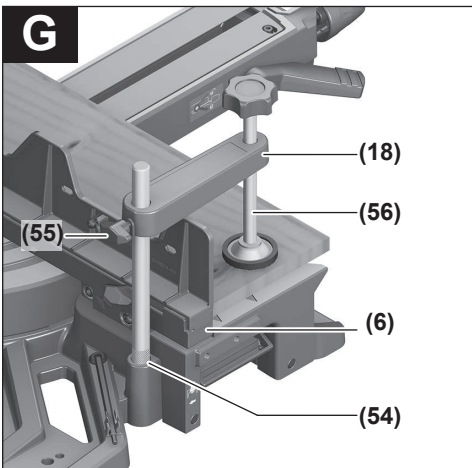
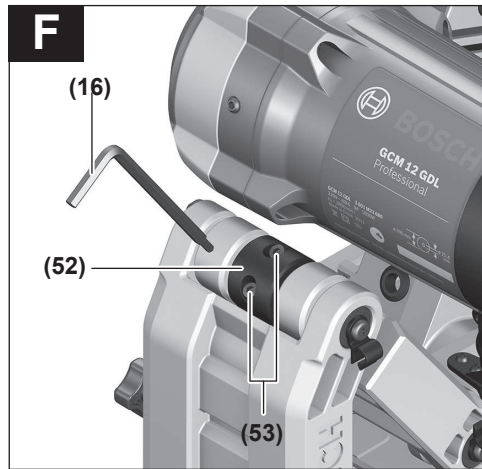
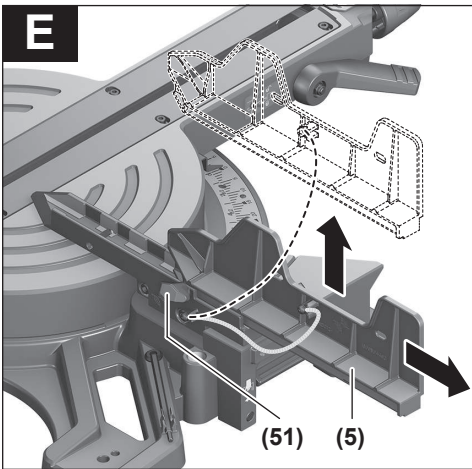


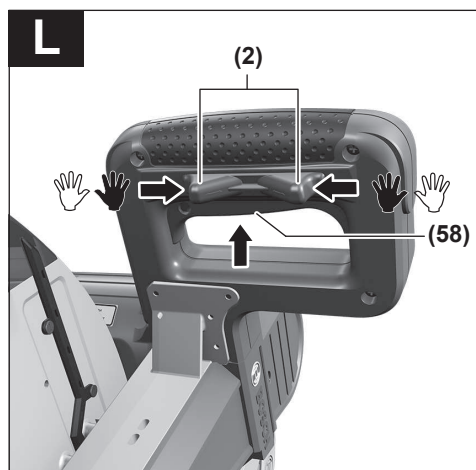
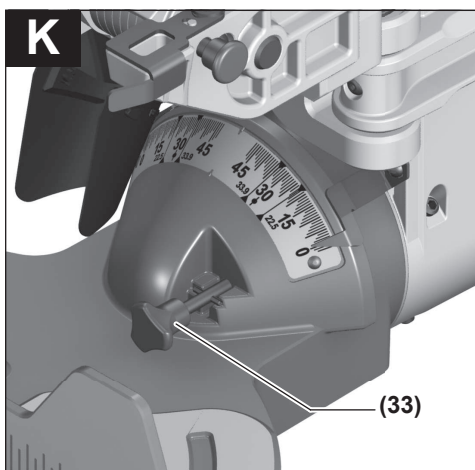
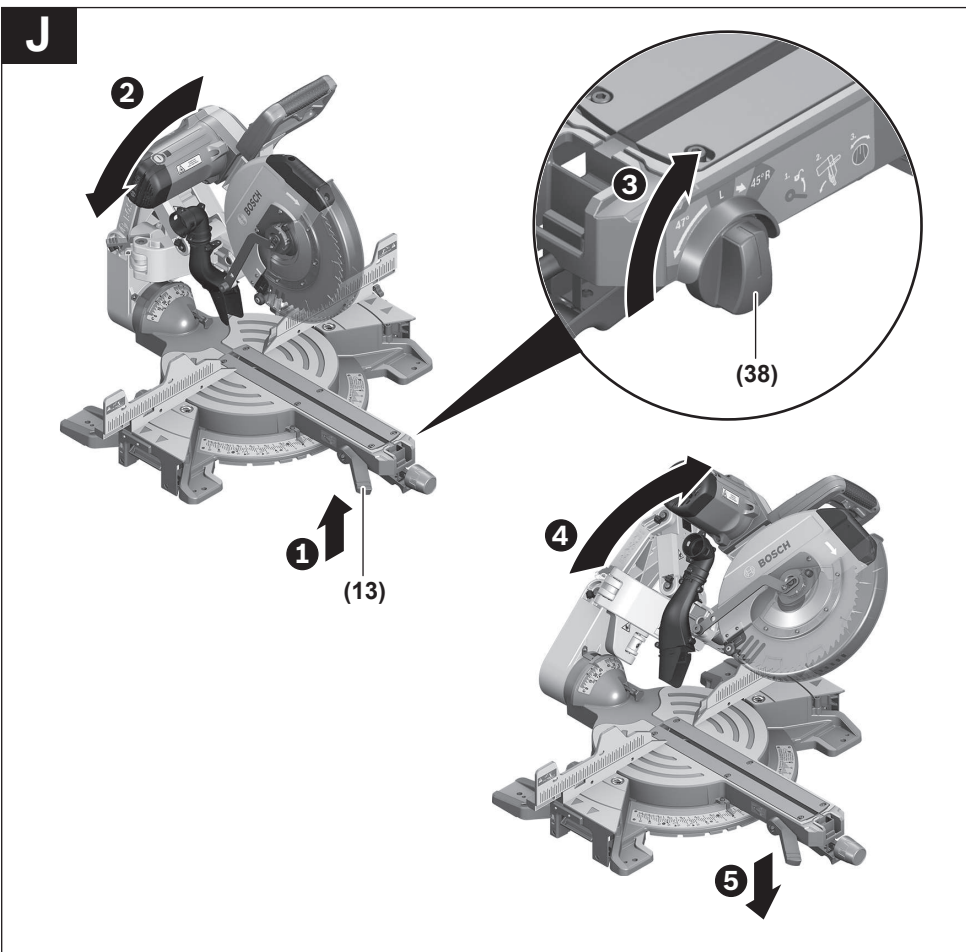


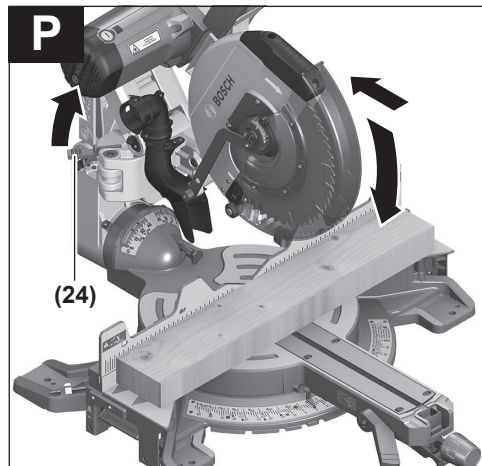
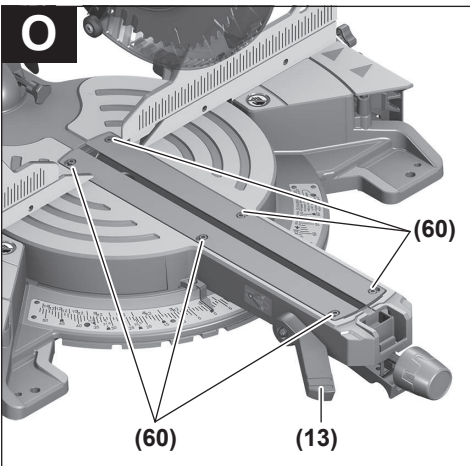
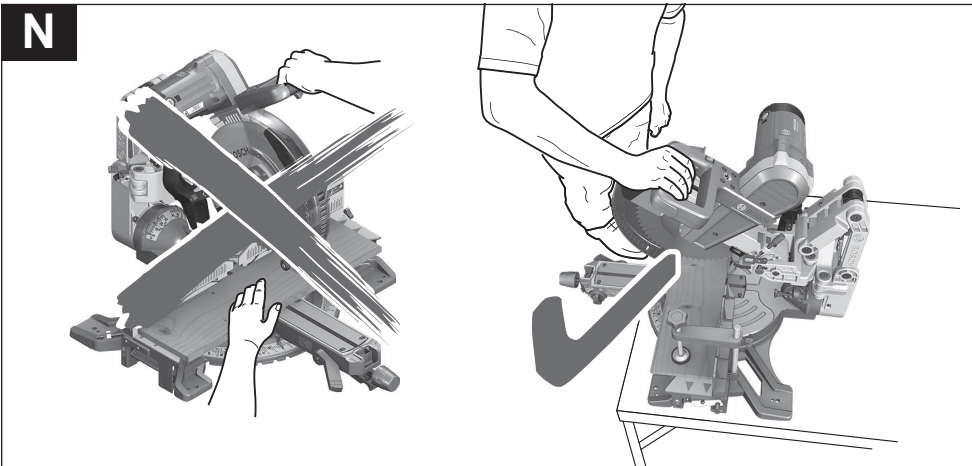
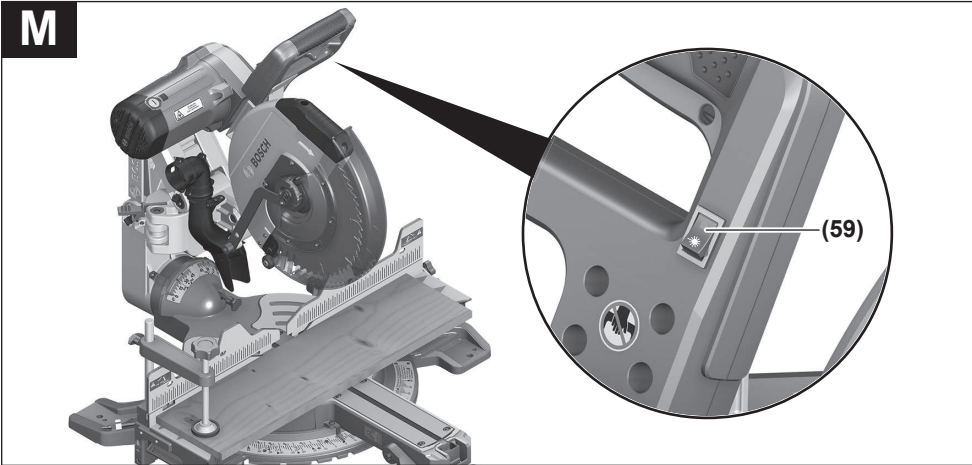


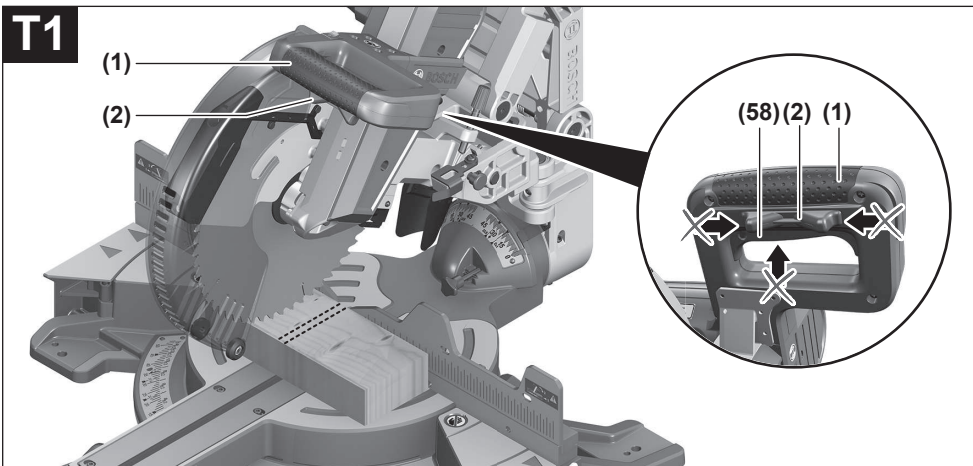
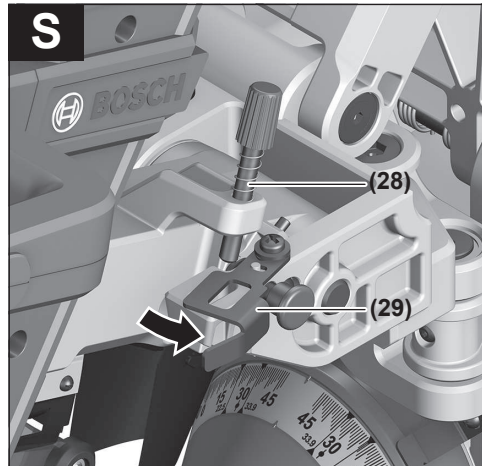
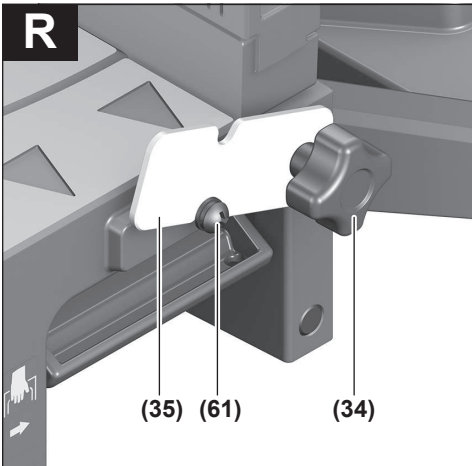
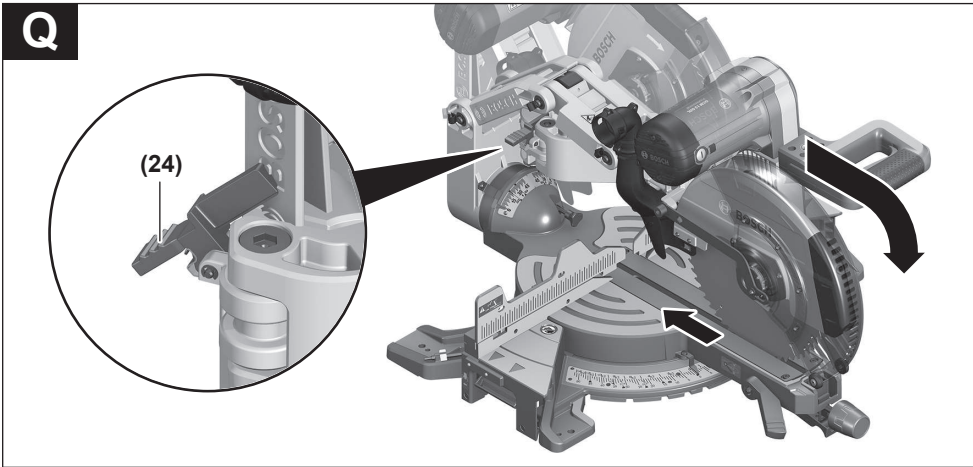


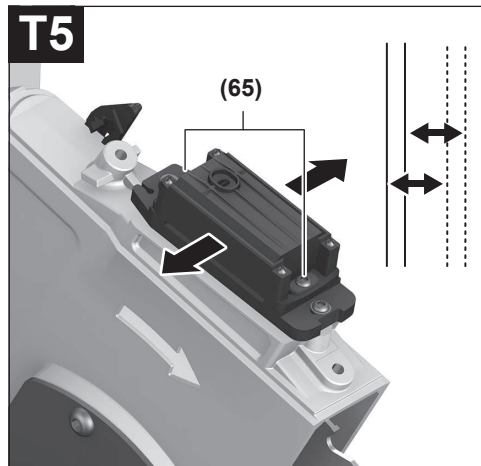
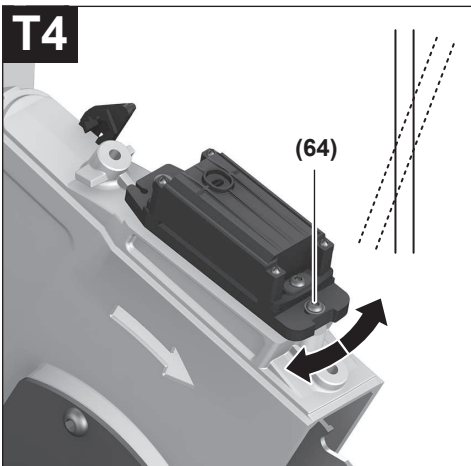
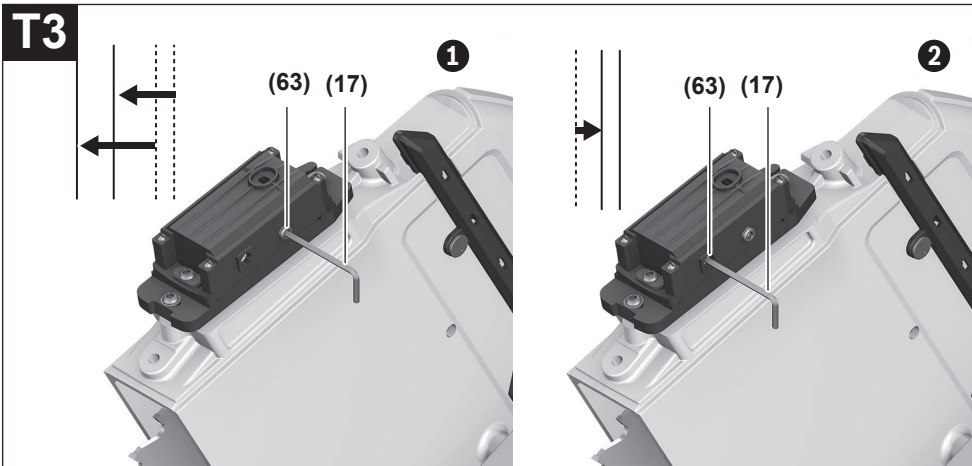
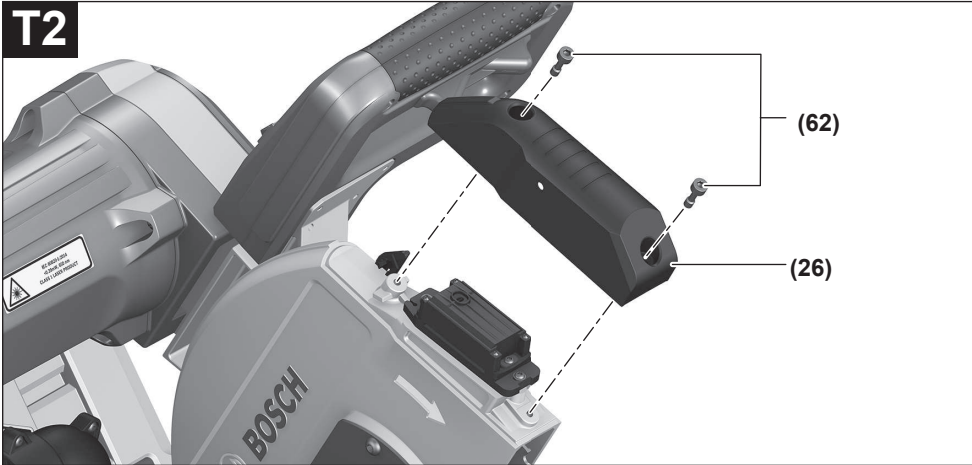


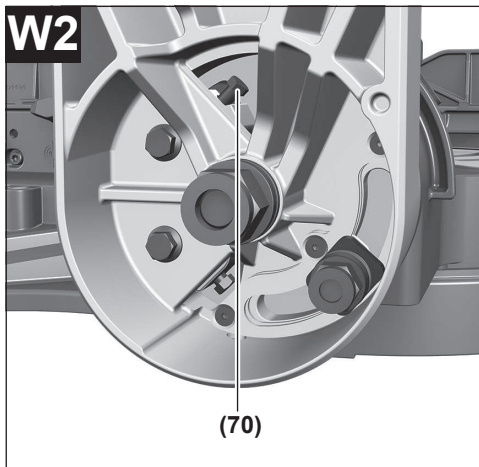
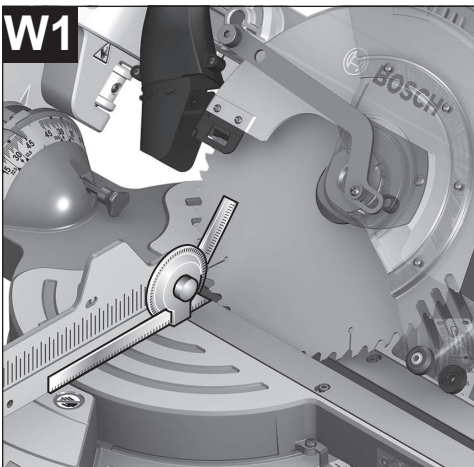
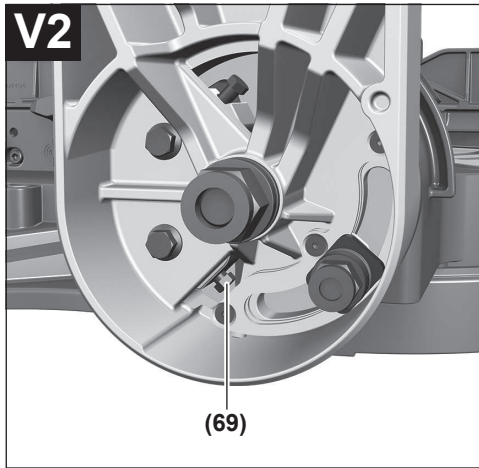
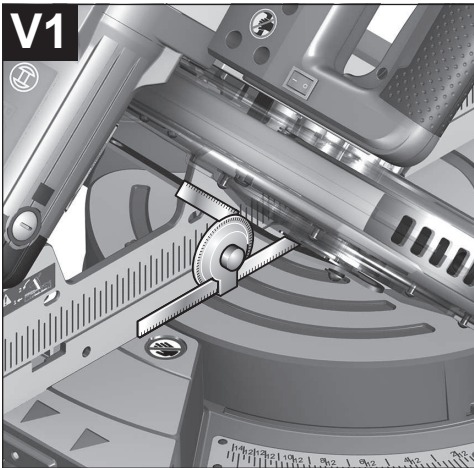
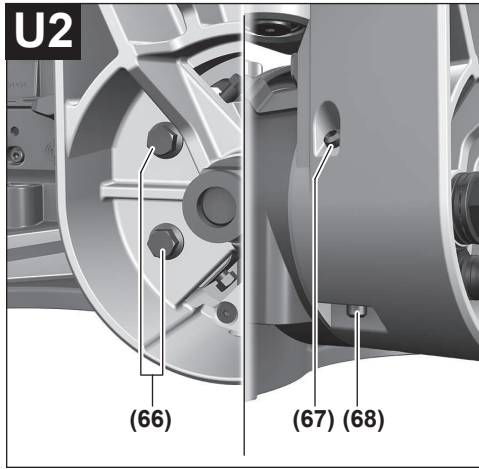
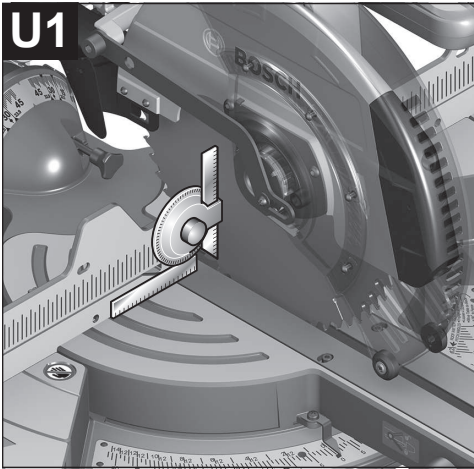


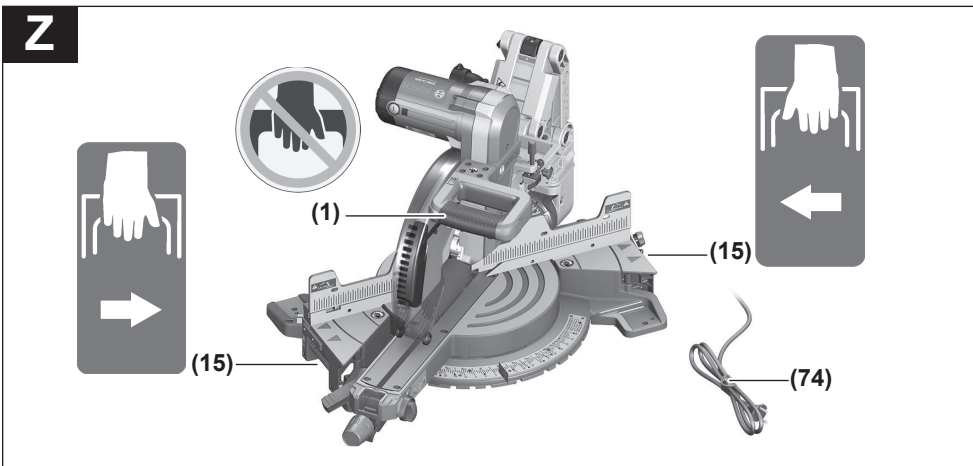
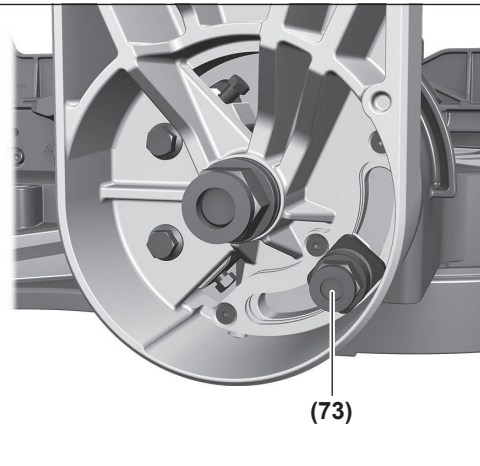
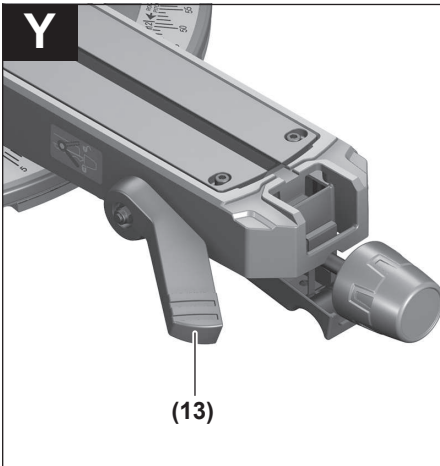
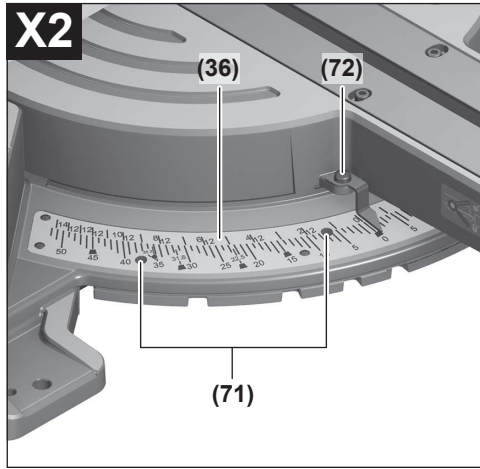
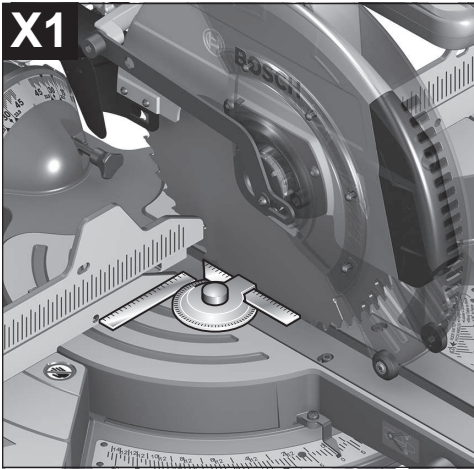












English

Safety instructions

General Power Tool Safety Warnings

⚠ WARNING Read all safety warnings, instructions, illustrations and specifications provided with this power tool. Failure to follow all instructions listed below may result in electric shock, fire and/or serious injury.

Save all warnings and instructions for future reference.

The term "power tool" in the warnings refers to your mains-operated (corded) power tool or battery-operated (cordless) power tool.

Work area safety

- ▶ **Keep work area clean and well lit.** Cluttered or dark areas invite accidents.
- ▶ **Do not operate power tools in explosive atmospheres, such as in the presence of flammable liquids, gases or dust.** Power tools create sparks which may ignite the dust or fumes.
- ▶ **Keep children and bystanders away while operating a power tool.** Distractions can cause you to lose control.

Electrical safety

- ▶ **Power tool plugs must match the outlet. Never modify the plug in any way. Do not use any adapter plugs with earthed (grounded) power tools.** Unmodified plugs and matching outlets will reduce risk of electric shock.
- ▶ **Avoid body contact with earthed or grounded surfaces, such as pipes, radiators, ranges and refrigerators.** There is an increased risk of electric shock if your body is earthed or grounded.
- ▶ **Do not expose power tools to rain or wet conditions.** Water entering a power tool will increase the risk of electric shock.
- ▶ **Do not abuse the cord. Never use the cord for carrying, pulling or unplugging the power tool. Keep cord away from heat, oil, sharp edges or moving parts.** Damaged or entangled cords increase the risk of electric shock.
- ▶ **When operating a power tool outdoors, use an extension cord suitable for outdoor use.** Use of a cord suitable for outdoor use reduces the risk of electric shock.
- ▶ **If operating a power tool in a damp location is unavoidable, use a residual current device (RCD) protected supply.** Use of an RCD reduces the risk of electric shock.

Personal safety

- ▶ **Stay alert, watch what you are doing and use common sense when operating a power tool. Do not use a power tool while you are tired or under the influence of drugs, alcohol or medication.** A moment of inatten-

tion while operating power tools may result in serious personal injury.

- ▶ **Use personal protective equipment. Always wear eye protection.** Protective equipment such as a dust mask, non-skid safety shoes, hard hat or hearing protection used for appropriate conditions will reduce personal injuries.
- ▶ **Prevent unintentional starting. Ensure the switch is in the off-position before connecting to power source and/or battery pack, picking up or carrying the tool.** Carrying power tools with your finger on the switch or energising power tools that have the switch on invites accidents.
- ▶ **Remove any adjusting key or wrench before turning the power tool on.** A wrench or a key left attached to a rotating part of the power tool may result in personal injury.
- ▶ **Do not overreach. Keep proper footing and balance at all times.** This enables better control of the power tool in unexpected situations.
- ▶ **Dress properly. Do not wear loose clothing or jewellery. Keep your hair and clothing away from moving parts.** Loose clothes, jewellery or long hair can be caught in moving parts.
- ▶ **If devices are provided for the connection of dust extraction and collection facilities, ensure these are connected and properly used.** Use of dust collection can reduce dust-related hazards.
- ▶ **Do not let familiarity gained from frequent use of tools allow you to become complacent and ignore tool safety principles.** A careless action can cause severe injury within a fraction of a second.

Power tool use and care

- ▶ **Do not force the power tool. Use the correct power tool for your application.** The correct power tool will do the job better and safer at the rate for which it was designed.
- ▶ **Do not use the power tool if the switch does not turn it on and off.** Any power tool that cannot be controlled with the switch is dangerous and must be repaired.
- ▶ **Disconnect the plug from the power source and/or remove the battery pack, if detachable, from the power tool before making any adjustments, changing accessories, or storing power tools.** Such preventive safety measures reduce the risk of starting the power tool accidentally.
- ▶ **Store idle power tools out of the reach of children and do not allow persons unfamiliar with the power tool or these instructions to operate the power tool.** Power tools are dangerous in the hands of untrained users.
- ▶ **Maintain power tools and accessories. Check for misalignment or binding of moving parts, breakage of parts and any other condition that may affect the power tool's operation. If damaged, have the power tool repaired before use.** Many accidents are caused by poorly maintained power tools.

- ▶ **Keep cutting tools sharp and clean.** Properly maintained cutting tools with sharp cutting edges are less likely to bind and are easier to control.
- ▶ **Use the power tool, accessories and tool bits etc. in accordance with these instructions, taking into account the working conditions and the work to be performed.** Use of the power tool for operations different from those intended could result in a hazardous situation.
- ▶ **Keep handles and grasping surfaces dry, clean and free from oil and grease.** Slippery handles and grasping surfaces do not allow for safe handling and control of the tool in unexpected situations.

Service

- ▶ **Have your power tool serviced by a qualified repair person using only identical replacement parts.** This will ensure that the safety of the power tool is maintained.

Safety Warnings for Mitre Saws

- ▶ **Mitre saws are intended to cut wood or wood-like products, they cannot be used with abrasive cut-off wheels for cutting ferrous material such as bars, rods, studs, etc.** Abrasive dust causes moving parts such as the lower guard to jam. Sparks from abrasive cutting will burn the lower guard, the kerf insert and other plastic parts.
- ▶ **Use clamps to support the workpiece whenever possible. If supporting the workpiece by hand, you must always keep your hand at least 100 mm from either side of the saw blade. Do not use this saw to cut pieces that are too small to be securely clamped or held by hand.** If your hand is placed too close to the saw blade, there is an increased risk of injury from blade contact.
- ▶ **The workpiece must be stationary and clamped or held against both the fence and the table. Do not feed the workpiece into the blade or cut “freehand” in any way.** Unrestrained or moving workpieces could be thrown at high speeds, causing injury.
- ▶ **Push the saw through the workpiece. Do not pull the saw through the workpiece. To make a cut, raise the saw head and pull it out over the workpiece without cutting, start the motor, press the saw head down and push the saw through the workpiece.** Cutting on the pull stroke is likely to cause the saw blade to climb on top of the workpiece and violently throw the blade assembly towards the operator.
- ▶ **Never cross your hand over the intended line of cutting either in front or behind the saw blade.** Supporting the workpiece “cross handed” i.e. holding the workpiece to the right of the saw blade with your left hand or vice versa is very dangerous.
- ▶ **Do not reach behind the fence with either hand closer than 100 mm from either side of the saw blade, to remove wood scraps, or for any other reason while the blade is spinning.** The proximity of the spinning saw blade to your hand may not be obvious and you may be seriously injured.
- ▶ **Inspect your workpiece before cutting. If the workpiece is bowed or warped, clamp it with the outside bowed face toward the fence. Always make certain that there is no gap between the workpiece, fence and table along the line of the cut.** Bent or warped workpieces can twist or shift and may cause binding on the spinning saw blade while cutting. There should be no nails or foreign objects in the workpiece.
- ▶ **Do not use the saw until the table is clear of all tools, wood scraps, etc., except for the workpiece.** Small debris or loose pieces of wood or other objects that contact the revolving blade can be thrown with high speed.
- ▶ **Cut only one workpiece at a time.** Stacked multiple workpieces cannot be adequately clamped or braced and may bind on the blade or shift during cutting.
- ▶ **Ensure the mitre saw is mounted or placed on a level, firm work surface before use.** A level and firm work surface reduces the risk of the mitre saw becoming unstable.
- ▶ **Plan your work. Every time you change the bevel or mitre angle setting, make sure the adjustable fence is set correctly to support the workpiece and will not interfere with the blade or the guarding system.** Without turning the tool “ON” and with no workpiece on the table, move the saw blade through a complete simulated cut to assure there will be no interference or danger of cutting the fence.
- ▶ **Provide adequate support such as table extensions, saw horses, etc. for a workpiece that is wider or longer than the table top.** Workpieces longer or wider than the mitre saw table can tip if not securely supported. If the cut-off piece or workpiece tips, it can lift the lower guard or be thrown by the spinning blade.
- ▶ **Do not use another person as a substitute for a table extension or as additional support.** Unstable support for the workpiece can cause the blade to bind or the workpiece to shift during the cutting operation pulling you and the helper into the spinning blade.
- ▶ **The cut-off piece must not be jammed or pressed by any means against the spinning saw blade.** If confined, i.e. using length stops, the cut-off piece could get wedged against the blade and thrown violently.
- ▶ **Always use a clamp or a fixture designed to properly support round material such as rods or tubing.** Rods have a tendency to roll while being cut, causing the blade to “bite” and pull the work with your hand into the blade.
- ▶ **Let the blade reach full speed before contacting the workpiece.** This will reduce the risk of the workpiece being thrown.
- ▶ **If the workpiece or blade becomes jammed, turn the mitre saw off. Wait for all moving parts to stop and disconnect the plug from the power source and/or remove the battery pack. Then work to free the jammed material.** Continued sawing with a jammed workpiece could cause loss of control or damage to the mitre saw.
- ▶ **After finishing the cut, release the switch, hold the saw head down and wait for the blade to stop before**

removing the cut-off piece. Reaching with your hand near the coasting blade is dangerous.

- ▶ **Hold the handle firmly when making an incomplete cut or when releasing the switch before the saw head is completely in the down position.** The braking action of the saw may cause the saw head to be suddenly pulled downward, causing a risk of injury.
- ▶ **Keep your work area clean.** Material mixtures are particularly hazardous. Light metal dust may catch fire or explode.
- ▶ **Do not use dull, cracked, bent or damaged saw blades. Unsharpened or improperly set saw blades produce narrow kerf causing excessive friction, blade binding and kickback.**
- ▶ **Do not use saw blades made from high speed steel (HSS).** Such saw blades can easily break.
- ▶ **Always use saw blades with correct size and shape (diamond versus round) of arbour holes.** Saw blades that do not match the mounting hardware of the saw will run off-centre, causing loss of control.
- ▶ **Do not replace the integrated laser with a laser of another type.** A laser that is not compatible with this power tool could pose a risk to persons.
- ▶ **Never remove cuttings, wood chips, etc. from the cutting area while the power tool is running.** Always guide the tool arm back to the neutral position first and then switch the power tool off.
- ▶ **Do not touch the saw blade after working before it has cooled.** The saw blade becomes very hot while working.
- ▶ **Never make warning signs on the machine unrecognisable.**

Products sold in GB only:

Your product is fitted with an BS 1363/A approved electric plug with internal fuse (ASTA approved to BS 1362).

If the plug is not suitable for your socket outlets, it should be cut off and an appropriate plug fitted in its place by an authorised customer service agent. The replacement plug should have the same fuse rating as the original plug.

The severed plug must be disposed of to avoid a possible shock hazard and should never be inserted into a mains socket elsewhere.

- ▶ **Warning! If operating or adjustment devices other than those specified here are used or other procedures are carried out, this can lead to dangerous exposure to radiation.**
- ▶ **Do not replace the integrated laser with a laser of another type.** A laser that is not compatible with this power tool could pose a risk to persons.
- ▶ **Do not make any modifications to the laser equipment.** The setting options described in these operating instructions can be used safely.



Do not direct the laser beam at persons or animals and do not stare into the direct or reflected laser beam yourself. You could

blind somebody, cause accidents or damage your eyes.

Symbols

The following symbols may be important for the operation of your power tool. Please take note of these symbols and their meaning. Correctly interpreting the symbols will help you to operate the power tool more effectively and safely.

Symbols and their meaning



CLASS 1 LASER PRODUCT



Keep hands away from the cutting area while the power tool is running. Contact with the saw blade can lead to injuries.



Wear a dust mask.



Wear safety goggles.



Wear hearing protection. Exposure to noise can cause hearing loss.



Danger area! Keep hands, fingers and arms away from this area.



Keep your fingers away from the moving parts of the glide arm. There is a risk of fingers being crushed and severely injured.



Take note of the dimensions of the saw blade. The hole diameter must fit the tool spindle without play. If it is necessary to use reducers, ensure that the dimensions of the reducer are suitable for the base blade thickness and the saw blade hole diameter, as well as the tool spindle diameter. Wherever possible, use the reducers provided with the saw blade.

The saw blade diameter must match the information specified on the symbol.

Symbols and their meaning

When transporting the power tool, hold it only at the locations indicated (recessed handles) or by the transport handle.



Never carry the power tool using the handle of the glide arm.



Switching on the laser



Clamping handle open:
Adjusting bevel angles is possible.

Clamping handle closed:
The set bevel angle of the glide arm is locked.



Indicates the individual steps for adjusting the bevel angle.

1. Loosen the clamping handle
2. Swivel the glide arm slightly to the left
3. Set the required bevel angle range using the rotary knob



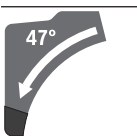
Setting the bevel angle ranges using the rotary knob:



Saw blade inclination to the left (45° to 0°)



Saw blade inclination to the right (0° to 45°)



Entire swivel range of the glide arm (-47° to +47°)

Product Description and Specifications



Read all the safety and general instructions.

Failure to observe the safety and general instructions may result in electric shock, fire and/or serious injury.

Please observe the illustrations at the beginning of this operating manual.

Intended Use

The power tool is intended as a stationary machine for making straight cuts in wood with and against the grain. It is pos-

sible to cut mitre angles of -52° to +60° and bevel angles of 47° (to the left) to 47° (to the right).

The power tool is designed with sufficient capacity for sawing hardwood and softwood as well as chipboard and fibreboard.

When using appropriate saw blades, sawing aluminium profiles and plastic is also possible.

Product features

The numbering of the product features refers to the diagram of the power tool on the graphics page.

- (1) Handle
- (2) Lock-off button for on/off switch
- (3) Protective guard
- (4) Retracting blade guard
- (5) Adjustable fence
- (6) Fence
- (7) Saw table extension
- (8) Mounting holes
- (9) Insert plate
- (10) Locking clamp
- (11) Locking knob for all mitre angles
- (12) Mitre pre-setting lever
- (13) Clamping handle for all bevel angles
- (14) Detents for standard mitre angles
- (15) Recessed handles
- (16) Hex key (6 mm/4 mm)
- (17) Hex key (2 mm)
- (18) Screw clamp
- (19) Guide roller
- (20) Angle indicator for right-hand bevel angle range (0° to 47°)
- (21) Chip deflector
- (22) Chip ejector
- (23) Dust extraction adapter
- (24) Glide mechanism clamping lever
- (25) Laser warning label
- (26) Laser protection cap
- (27) Glide arm
- (28) Depth stop adjusting screw
- (29) Depth stop
- (30) Transport safety lock
- (31) Scale for bevel angles
- (32) Angle indicator for left-hand bevel angle range (47° to 0°)
- (33) Adjustment knob for 22.5° bevel angle
- (34) Locking screw for length stop^{A)}
- (35) Length stop^{A)}
- (36) Scale for mitre angles

- (37) Saw table
- (38) Rotary knob for adjusting the bevel angle range
- (39) Saw blade
- (40) Laser beam outlet aperture
- (41) Locking screw for the linkage of the retracting blade guard
- (42) Linkage of the retracting blade guard
- (43) Front fastening screw (cover plate/retracting blade guard)
- (44) Rear fastening screw (cover plate/retracting blade guard)
- (45) Cover plate
- (46) Spindle lock
- (47) Hex socket screw for mounting the saw blade
- (48) Clamping flange
- (49) Inner clamping flange
- (50) Clamping lever of the saw table extension
- (51) Locking screw for the adjustable fence
- (52) Damper
- (53) Set screws for damping
- (54) Holes for screw clamp
- (55) Wing bolt
- (56) Threaded rod
- (57) Angle indicator for mitre angles
- (58) On/off switch
- (59) On/off switch for laser (cutting line indication)
- (60) Screws for insert plate
- (61) Clamping screw for length stop^{A)}
- (62) Screw for laser protection cap
- (63) Set screw for positioning the laser (flush levelling)
- (64) Fastening screw for laser mounting plate
- (65) Fastening screw for laser housing
- (66) / Set screws for 0° basic setting (bevel angle)
- (67) /
- (68)
- (69) Set screw for 45° basic setting (left-hand bevel angle)
- (70) Set screw for 45° basic setting (right-hand bevel angle)
- (71) Set screws for mitre angle scale
- (72) Screw for mitre angle indicator
- (73) Set screw for adjusting the clamping force of the clamping handle for any bevel angle
- (74) Hook-and-loop strap

A) Accessories shown or described are not included with the product as standard. You can find the complete selection of accessories in our accessories range.

Technical Data

Sliding mitre saw		GCM 12 GDL	GCM 12 GDL
Article number		3 601 M23 641 3 601 M23 6L1	3 601 M23 6B1 3 601 M23 6B1 3 601 M23 6K1
Rated power input	W	2000	1800
Rated voltage	V	230–240	220–230
Frequency	Hz	50	50/60
No-load speed	min ⁻¹	4000	4000
Starting current limitation		●	●
Laser type	nm	650	650
	mW	< 1	< 1
Laser class		1	1
Weight according to EPTA-Procedure 01:2014	kg	32.1	32.1
Protection class		□/II	□/II
Dimensions of suitable saw blades			
Saw blade diameter	mm	305	305
Base blade thickness	mm	1.7–2.6	1.7–2.6
Max. cutting width	mm	3.2	3.2
Hole diameter	mm	25.4	25.4

Permissible workpiece dimensions (see "Permissible workpiece dimensions", page 24)

Assembly

- ▶ **Avoid starting the power tool unintentionally. The mains plug must not be connected to the power supply during assembly or when carrying out any kind of work on the power tool.**

Items Included



See the list of items included at the start of the operating manual.

Check to ensure that all the parts listed below have been supplied before using the power tool for the first time:

- Sliding mitre saw with mounted saw blade (39)
- Locking knob (11)
- Hex key (16)
- Hex key (17)
- Screw clamp (18)

Note: Check the power tool for possible damage.

Before continuing to use the power tool, carefully check that all protective devices or slightly damaged parts are working perfectly and according to specifications. Check that the moving parts are working perfectly and without jamming; check whether any parts are damaged. All parts must be fitted correctly and all the conditions necessary to ensure smooth operation must be met.

If the protective devices or any parts become damaged, you must have them properly repaired or replaced by an authorised service centre.

Extra tools required (not included in the delivery):

- Cross-headed screwdriver
- Open-ended spanner (size: 8 mm)
- Ring spanner, open-ended spanner or socket spanner (sizes: 10 mm and 17 mm)

Fitting individual components

- Carefully remove all parts included in the delivery from their packaging.
- Remove all packing material from the power tool and the accessories provided.

Fitting the locking knob (see figure a)

- Screw the locking knob (11) into the corresponding hole above the lever (12).
- ▶ **Always tighten the locking knob (11) firmly before sawing.** Otherwise the saw blade can become wedged in the workpiece.

Stationary or flexible mounting

- ▶ **To ensure safe handling, the power tool must be mounted on a flat, stable work surface (e.g. work bench) before use.**

Mounting on a work surface (see figure b1)

- Use suitable screw fasteners to secure the power tool to the work surface. The holes (8) are used for this purpose.

or

- Firmly clamp the base of the power tool to the work surface with commercially available screw clamps.

Mounting on a Bosch saw stand (see figure b2)

(GTA 2500 W, GTA 3700, GTA 3800)

With the height-adjustable legs, Bosch GTA saw stands provide firm support for the power tool on any surface. The workpiece supports of the saw stand are used for underlaying long workpieces.

- ▶ **Read all the warnings and instructions included with the saw stand.** Failure to observe the warnings and follow instructions may result in electric shock, fire and/or serious injury.
- ▶ **Assemble the saw stand properly before mounting the power tool.** Correct assembly is important to prevent the risk of collapsing.
- Mount the power tool on the saw stand in the transport position.

Dust/Chip Extraction

The dust from materials such as lead paint, some types of wood, minerals and metal can be harmful to human health. Touching or breathing in this dust can trigger allergic reactions and/or cause respiratory illnesses in the user or in people in the near vicinity.

Certain dusts, such as oak or beech dust, are classified as carcinogenic, especially in conjunction with wood treatment additives (chromate, wood preservative). Materials containing asbestos may only be machined by specialists.

- Use a dust extraction system that is suitable for the material wherever possible.
- Provide good ventilation at the workplace.
- It is advisable to wear a P2 filter class breathing mask.

The regulations on the material being machined that apply in the country of use must be observed.

- ▶ **Avoid dust accumulation at the workplace.** Dust can easily ignite.

The dust/chip extraction system can be blocked by dust, chips or fragments of the workpiece.

- Switch the power tool off and pull the mains plug out of the socket.
- Wait until the saw blade has come to a complete stop.
- Determine the cause of the blockage and eliminate it.

External Dust Extraction

You can also attach a dust extraction hose (35 mm diameter) to the extraction adapter (23) for extraction.

- Connect the dust extraction hose to the extraction adapter (23).

The dust extractor must be suitable for the material being worked.

When extracting dry dust that is especially detrimental to health or carcinogenic, use a special dust extractor.

Cleaning the dust extraction adapter

To ensure optimum extraction, the dust extraction adapter (23) must be cleaned regularly.

- Pull the dust extraction adapter (23) off the chip ejector (22) with a twisting motion.
- Remove workpiece fragments and chippings.
- Reattach the dust extraction adapter to the chip ejector with a twisting motion until it engages above the chip ejector holding ring.

Changing the saw blade (see figures c1-c4)

► **Pull the plug out of the socket before carrying out any work on the power tool.**

► **Wear protective gloves when fitting the saw blade.**

There is a risk of injury when touching the saw blade.

Only use saw blades that have a maximum permitted speed higher than the no-load speed of the power tool.

Only use saw blades that match the specifications given in this operating manual and that have been tested and marked in accordance with EN 847-1.

Only use saw blades that are recommended by the power tool manufacturer and are suitable for use on the material you want to saw. This will prevent the saw teeth overheating when sawing.

Removing the Saw Blade

- Bring the power tool into the work position.
- Unscrew the locking screw (41) by hand until the linkage (42) can hang down freely.
- Loosen the fastening screw (43) (by approx. two turns) using the hex key (mm) (16).
Do not unscrew the screw completely.
- Loosen the fastening screw (44) (by approx. six turns) using the hex key (mm) (16).
Do not unscrew the screw completely.
- Pull the cover plate (45) forwards and downwards away from the fastening screw (44).
- Swivel the retracting blade guard (4) to the back and hold it in this position.
- Hang the linkage (42) over the fastening screw (44) using a hole.
This will hold the retracting blade guard open.
- Turn the hex socket screw (47) with the hex key (mm) (16) and at the same time push the spindle lock (46) until it engages.
- Keep holding the spindle lock (46) and loosen the hex socket screw (47) by turning it clockwise (left-hand thread).
- Remove the clamping flange (48).
- Remove the saw blade (39).

Fitting the saw blade

► **When fitting the saw blade, make sure that the cutting direction of the teeth (arrow direction on the saw**

blade) matches the direction of the arrow on the protective guard.

If required, clean all the parts you want to fit before installing them.

- Place the new saw blade onto the interior clamping flange (49).
- Fit the clamping flange (48) and the hex socket screw (47). Press the spindle lock (46) until it engages and tighten the hex socket screw by turning it anticlockwise.
- Release the linkage (42) from the fastening screw (44) and guide the retracting blade guard (4) back down.
- Slide the cover plate (45) back under the fastening screw (44).
- Retighten the fastening screws (44) and (43).
- Slide the linkage (42) into its original position and retighten the locking screw (41) by hand.

Operation

► **Pull the plug out of the socket before carrying out any work on the power tool.**

Transport Safety Lock (see figure A)

The transport safety lock (30) makes it easier to handle the power tool when transporting it to various working locations.

Unlocking the Power Tool (Work Position)

- Press the glide arm (27) down slightly by the handle (1) to release the transport safety lock (30).
- Pull the transport safety lock (30) all the way out.
- Slowly guide the glide arm (27) upwards.

Locking the Power Tool (Transport Position)

- Slide the glide arm (27) all the way back and secure it in this position.
- Guide the glide arm downwards until you can press the transport safety lock (30) all the way in.

Further information: (see "Transport (see figure Z)", page 27)

Locking the Glide Arm

The glide mechanism of the glide arm (27) can be locked with the clamping lever (24). The glide arm can be placed in two positions:

- Glide arm pushed all the way back (for cross cuts)
- Glide arm pulled all the way forward (for a compact transport position)

Unlocking the Glide Arm (see figure B1)

After unlocking the glide arm (27), the whole gliding mechanism is ready for operation.

- Press the clamping lever (24) all the way down.
- The clamping wedge of the clamping lever releases the two articulated parts at the bottom of the glide arm.

Securing the Glide Arm (see figure B2)

Glide arm pushed all the way back:

- Push the glide arm (27) all the way back.
- The two articulated parts at the top of the glide arm are now upright and closed.
- Pull the clamping lever (24) upwards until the clamping wedge is positioned between the two articulated parts at the bottom of the glide arm.
- This locks the glide arm (27), which is pushed all the way back.

Glide arm pulled all the way forward:

- Pull the glide arm (27) all the way forward.
- The glide mechanism is now completely extended.
- Pull the clamping lever (24) upwards until the clamping wedge is positioned between the two articulated parts at the bottom of the glide arm.

- This locks the glide arm (27), which is pulled all the way forward.

Preparing for operation

Extending the Saw Table (see figure C)

The free end of long workpieces must have something placed underneath it or be supported.

The saw table can be extended left and right using the saw table extensions (7).

- Push the clamping lever (50) inwards.
- Pull out the saw table extension (7) to the required length (maximum 250 mm).
- To lock the saw table extension in place, push the clamping lever (50) back out.

Moving the fence (see figures D-E)

When sawing mitre and/or bevel angles, you have to pull the left-hand or right-hand adjustable fence (5) outwards depending on the cutting direction, or remove it completely.

Bevel angle	Mitre angle	
0°–47° (left)	≤ 44° (right/left)	<ul style="list-style-type: none"> – Loosen the locking screw (51). – Pull the left-hand adjustable fence (5) all the way out.
0°–47° (left)	≥ 45° (right/left)	<ul style="list-style-type: none"> – Loosen the locking screw (51). – Pull the left-hand adjustable fence (5) all the way out. – Lift the adjustable fence upwards and out of the way. – Remove the locking screw (51).
0°–47° (right)	≤ 44° (right/left)	<ul style="list-style-type: none"> – Loosen the locking screw (51). – Pull the right-hand adjustable fence (5) all the way out.
0°–47° (right)	≥ 45° (right/left)	<ul style="list-style-type: none"> – Lift the adjustable fence upwards and out of the way.

Adjusting the damping of the glide arm (see figure F)

The glide mechanism of the glide arm (27) is preset at the factory and is not damped when the power tool is delivered. The damping of the glide mechanism can be adjusted using the damper (52):

Hard – for more controlled work movements;

Soft – for fast saw cuts.

- For **softer** damping, loosen the two set screws (53) using the hex key (mm) (16)
- or
- tighten the two set screws (53) for **harder** damping.

Clamping the workpiece (see figure G)

To ensure maximum safety while working, the workpiece must always be firmly clamped.

Do not saw workpieces that are too small to clamp firmly.

- Press the workpiece firmly against the fences (6) and (5).
- Insert the supplied screw clamp (18) into one of the corresponding holes (54).
- Loosen the wing bolt and adjust the screw clamp to the workpiece. Tighten the wing bolt again.
- Tighten the threaded rod (56) to fix the workpiece in place.

Releasing the workpiece

- To loosen the screw clamp, turn the threaded rod (56) anticlockwise.

Setting mitre and bevel angles

- ▶ Pull the plug out of the socket before carrying out any work on the power tool.

To ensure precise cuts, the basic settings of the power tool must be checked and adjusted as necessary after intensive use.

Experience and suitable special tools are required for this.

A Bosch after-sales service point will handle this work quickly and reliably.

- ▶ Always tighten the locking knob (11) firmly before sawing. Otherwise the saw blade can become wedged in the workpiece.

Adjusting the horizontal mitre angle

Setting Standard Mitre Angles (see figure H)

For quick and precise setting of commonly used mitre angles, detents (14) are provided on the saw table:

Leftward	Rightward
	0°
45°; 31.6°; 22.5°; 15°	15°; 22.5°; 31.6°; 45°; 60°

- Loosen the locking knob (11) if it is tightened.
- Pull the lever (12) and rotate the saw table (37) left or right to the required detent.
- Release the lever again. The lever must be felt to engage in the detent.
- Retighten the locking knob (11).

Setting Any Mitre Angle (see figure I)

The mitre angle can be set between 52° (left side) and 60° (right side).

- Loosen the locking knob (11) if it is tightened.
- Pull the lever (12) and at the same time press the locking clamp (10) until this clicks into the slot provided for it. This means the saw table can now move freely.
- Turn the saw table (37) left or right by the locking knob until the angle indicator (57) shows the required mitre angle.
- Retighten the locking knob (11).
- To loosen the lever (12) again (for setting standard mitre angles), pull the lever upwards. The locking clamp (10) springs back into its original position and the lever (12) can click back into the detents (14).

Adjusting vertical mitre angles

The bevel angle can be set between 47° (left side) and 47° (right side).

For quick and precise setting of frequently used bevel angles, stops have been provided for the angles 0°, 22.5°, 45° and 47°.

Setting the left-hand bevel angle range (45° to 0°)

L

- Pull the left-hand adjustable fence (5) all the way out.
- Loosen the clamping handle (13).
- Use the handle (1) to swivel the glide arm (27) to the left until the angle indicator (32) shows the required bevel angle.
- Hold the glide arm (27) in this position and retighten the clamping handle (13).
The clamping force of the clamping handle must hold the glide arm securely in place at any bevel angle.

Setting the Right-hand Bevel Angle Range (0° to 45°) (see figure J)

45° R

- Pull the right-hand adjustable fence (5) all the way out.
- Loosen the clamping handle (13).
- Use the handle (1) to tilt the glide arm (27) slightly to the left from the 0° position and turn the rotary knob (38) until the required bevel angle range is shown.
- Use the handle (1) to swivel the glide arm (27) to the right until the angle indicator (20) shows the required bevel angle.
- Hold the glide arm (27) in this position and retighten the clamping handle (13).

The clamping force of the clamping handle must hold the glide arm securely in place at any bevel angle.

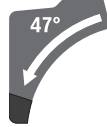
Setting the Standard 0° bevel angle

To enable the standard 0° bevel angle to be reset easily, the rotary knob (38) engages in the left-hand bevel angle range.

L

- Swivel the glide arm (27) from the right to the 0° position.

Setting the entire bevel angle range (-47° to +47°)



- Pull both adjustable fences (5) all the way out.
- Loosen the clamping handle (13).
- Use the handle (1) to tilt the glide arm (27) slightly to the left from the 0° position and turn the rotary knob (38) until the required bevel angle range is shown.
- Use the handle (1) to swivel the glide arm (27) to the left or right until the angle indicator (32) or (20) shows the required bevel angle.
- Hold the glide arm (27) in this position and retighten the clamping handle (13).

The clamping force of the clamping handle must hold the glide arm securely in place at any bevel angle.

Setting the Standard 22.5° Bevel Angle (see figure K)

Pull the adjustment knob (33) all the way out and turn it 90°. Then use the handle (1) to swivel the glide arm (27) until you hear the glide arm engage.

Start-up

- ▶ **Pay attention to the mains voltage. The voltage of the power source must match the voltage specified on the rating plate of the power tool. Power tools marked with 230 V can also be operated with 220 V.**
- ▶ **Products that are only sold in AUS and NZ:** Use a residual current device (RCD) with a nominal residual current of 30 mA or less.

Switching on (see figure L)

- To **switch on** the power tool, **first** slide the lock-off button (2) to the middle and **then** press and hold the on/off switch (58).

Note: For safety reasons, the on/off switch (58) cannot be locked; it must remain pressed during the entire operation.

Switching off

- To **switch off**, release the on/off switch (58).

Starting current limitation

The electronic starting current limitation feature restricts the power of the power tool when it is switched on and enables operation using a 16 A fuse.

Note: If the power tool runs at full speed immediately after being switched on, this means that the starting current limitation and restarting protection mechanisms have failed. The

power tool should be sent immediately to an after-sales service.

Practical advice

General sawing instructions

- ▶ **Always tighten the locking knob (11) and the clamping handle (13) firmly before sawing.** Otherwise the saw blade can become wedged in the workpiece.
- ▶ **For all cuts, it must first be ensured that the saw blade at no time can come in contact with the fence, screw clamps or other machine parts. Remove any mounted auxiliary stops or adjust them accordingly.**

Protect the saw blade against impact and shock. Do not subject the saw blade to lateral pressure.

Do not saw warped/bent workpieces. The workpiece must always have a straight edge to face against the fence.

The free end of long and heavy workpieces must have something placed underneath it or be supported.

Make sure that the retracting blade guard operates properly and that it can move freely. The retracting blade guard must open when the tool arm is guided downwards. When the tool arm is guided upwards, the retracting blade guard must close again over the saw blade and lock in the uppermost position of the tool arm.

Only saw materials which are permitted within the scope of the intended use.

Marking the cutting line (see figure M)

Two laser beams indicate the cutting width of the saw blade. This allows for exact positioning of the workpiece for sawing, without having to open the retracting blade guard.

Permissible workpiece dimensions

Maximum workpiece dimensions:

Mitre angle	Bevel angle	Height x width [mm]	
		Workpiece against fence	Workpiece against spacer (accessory)
0°	0°	104 x 341	110 x 240
45°	0°	104 x 240	110 x 110
0°	45° (left)	51 x 341	51 x 295
0°	45° (right)	38 x 341	38 x 295
45°	45° (left)	51 x 240	51 x 200
45°	45° (right)	38 x 240	38 x 200

Minimum workpiece dimensions (= all workpieces that can be secured left or right of the saw blade using the supplied screw clamps (18)): 160 x 335 mm (length x width)

Maximum cutting depth (0°/0°): 104 mm

Sawing

- ▶ **Always tighten the locking knob (11) and the clamping handle (13) firmly before sawing.** Otherwise the saw blade can become wedged in the workpiece.

Sawing without slide movement (cutting off) (see figure P)

- Slide the glide arm (27) all the way back and secure it in this position.

- Switch on the laser beams with the switch (59).
- Position your mark on the workpiece between the two laser lines.

Note: Before sawing, check if the cutting width is still indicated correctly Adjusting the Laser. Vibrations during intensive use, for example, can cause the laser beams to become misaligned.

Position of the Operator (see figure N)

- ▶ **Do not stand in line with the saw blade in front of the power tool. Always stand to the side of the saw blade.** This protects your body against possible kickback.
- Keep hands, fingers and arms away from the rotating saw blade.
- Do not reach one arm across the other when in front of the glide arm (27).

Replacing the Insert Plates (see figure O)

The red insert plates (9) can become worn after prolonged use of the power tool.

Replace defective insert plates.

- Bring the power tool into the work position.
- Loosen the screws (60) using the hex key (4 mm) (16) and remove the old insert plates.
- Insert the new right-hand insert plate.
- Screw the insert plate as far as possible to the right with the screws (60) so that the saw blade does not come into contact with the insert plate over the entire length of the possible slide motion.
- Repeat the work steps in the same manner for the left-hand insert plate.

- Slowly guide the glide arm (27) downwards using the handle (1).
- Saw through the workpiece applying uniform feed.
- Switch off the power tool and wait until the saw blade has come to a complete stop.
- Slowly guide the glide arm (27) upwards.

Sawing with Slide Movement (see figure Q)

- ▶ **Maintain a firm grip on the handle before switching the power tool on and during the entire sawing process. Ensure that the movement of the glide arm is controlled during sawing.** The glide arm is very easy to move and a moment of inattention could result in serious injury.
- Unlock the glide arm (27).
Check if the complete glide mechanism is operative by sliding the glide arm (27) back and forth.
- Firmly clamp the workpiece as appropriate for its dimensions.
- Set the required mitre and/or bevel angle as necessary.
- Pull the glide arm (27) away from the fence (6) by the handle (1) until the saw blade is in front of the workpiece.
- Switch on the power tool.
- Slowly guide the glide arm (27) downwards using the handle (1).
- Now push the glide arm (27) towards the fence (6) and saw through the workpiece with uniform feed.
- Switch off the power tool and wait until the saw blade has come to a complete stop.
- Slowly guide the glide arm (27) upwards.

Sawing workpieces of the same length (see figure R)

The length stop (35) (accessory) can be used for easily sawing workpieces of the same length.

The length stop can be mounted on either side of the saw table extension (7).

- Loosen the locking screw (34) and move the length stop (35) over the clamping screw (61).
- Re-tighten the locking screw (34).
- Set the saw table extension (7) to the required length.

Adjusting the Depth Stop (Sawing the Groove) (see figure S)

The depth stop needs to be adjusted if you wish to saw a groove or use a spacer.

- Swivel the depth stop (29) outwards.
- Use the handle (1) to swivel the glide arm (27) into the required position.
- Turn the adjusting screw (28) until the end of the screw touches the depth stop (29).
- Slowly guide the glide arm (27) upwards.

Special workpieces

When sawing curved or round workpieces, these must be especially secured against slipping. At the cutting line, there should be no gap between the workpiece, fence and saw table.

If necessary, you will need to manufacture special fixtures.

Working on mouldings

Mouldings can be sawn in two different ways:

Positioning of workpiece	Base moulding	Crown moulding
- Placed against the fence		
- Lying flat on the saw table		

Furthermore, you can cut with or without the slide movement depending on the width of the moulding.

Always check the set mitre and/or bevel angle first by making trial cuts in scrap wood.

Checking and Adjusting the Basic Settings

To ensure precise cuts, the basic settings of the power tool must be checked and adjusted as necessary after intensive use.

Experience and suitable special tools are required for this.

A Bosch after-sales service point will handle this work quickly and reliably.

Adjusting the laser

Note: To test the laser function, the power tool must be connected to the power supply.

▶ **While adjusting the laser (e.g. when moving the tool arm), never activate the on/off switch.** Starting the power tool accidentally can lead to injuries.

- Bring the power tool into the work position.
- Turn the saw table (37) to the 0° detent (14). The lever (12) must be felt to engage in the detent.

Checking (see figure T1)

- Draw a straight cutting line on the workpiece.
- Slowly guide the glide arm (27) downwards using the handle (1).
- Position the workpiece so that the teeth of the saw blade line up with the cutting line.
- Hold the workpiece in this position and slowly guide the glide arm upwards.
- Clamp the workpiece.
- Switch on the laser beams with the switch (59).

The laser beams must be the same distance away (left and right) from the cutting line marked on the workpiece along their entire length, even when lowering the glide arm.

Removing the laser protection cap (see figure T2)

- Loosen the two screws (62) on the laser protection cap (26) using the hex key (4 mm) (16).

Note: To access the front screw on the laser protection cap, the glide arm must be swivelled down slightly until

the hex key can be inserted through one of the slots on the retracting blade guard.

Adjusting the flush alignment (see figure T3)

- Remove the laser protection cap (26).
- 1. Adjusting the right-hand laser beam:
 - Turn the rear set screw (63) using the hex key (17) until the entire length of the right-hand laser beam is flush with the cutting line marked on the workpiece. This also moves the left-hand laser beam.

One rotation anticlockwise moves the laser beam from left to right; one rotation clockwise moves the laser beam from right to left.

- 2. Adjusting the left-hand laser beam:
 - Turn the front set screw (63) using the hex key (17) until the left-hand laser beam is the same distance away from the cutting line marked on the workpiece as the right-hand laser beam.

One rotation anticlockwise moves the laser beam from left to right; one rotation clockwise moves the laser beam from right to left.

- Reattach the laser protection cap (26).

Adjusting the parallelism (see figure T4)

- Remove the laser protection cap (26).
- Loosen the fastening screw (64) (by approx. 1–2 turns) using the hex key (17). Do not unscrew the screw completely.
- Move the laser mounting plate to the right or left until the laser beams are parallel with the marked cutting line on the workpiece along their entire length.
- Hold the laser mounting plate in this position and retighten the fastening screw (64).
- Check the flush alignment with the cutting line again following adjustment. If required, use the set screws (63) to align the laser beams again.
- Reattach the laser protection cap (26).

Adjusting the side deviation when moving the glide arm (see figure T5)

- Remove the laser protection cap (26).
- Loosen the two fastening screws (65) (by approx. 1–2 turns) using the hex key (17). Do not completely unscrew the screws.
- Move the laser housing to the right or left until the laser beams no longer deviate at the sides when moving the glide arm down.
- Check the flush alignment with the cutting line again following adjustment. If required, use the set screws (63) to align the laser beams again.
- Hold the laser housing in this position and retighten the fastening screws (65).
- Reattach the laser protection cap (26).

Setting the Standard 0° Bevel Angle

- Bring the power tool into the transport position.
- Turn the saw table (37) to the 0° detent (14). The lever (12) must be felt to engage in the detent.

Checking (see figure U1)

- Set an angle gauge to 90° and place it on the saw table (37).

The leg of the angle gauge must be flush with the saw blade (39) along its entire length.

Setting (see figure U2)

- Loosen the clamping handle (13).
- Loosen the two set screws (66) (by at least one turn) using a socket spanner (10 mm).
- Loosen the set screw (68) (by approx. three turns) using the hex key (4 mm) (16).
- Tighten or loosen the set screw (67) using the hex key (4 mm) (16) until the leg of the angle gauge is flush with the saw blade along its entire length.
- Retighten the clamping handle (13). Then tighten the set screw (68) followed by the set screws (66).

If the angle indicators (32) and (20) are not in line with the 0° marks on the scale (31) following adjustment, loosen the fastening screws on the angle indicators using a cross-headed screwdriver and align the angle indicators with the 0° marks.

Setting the Standard 45° Mitre Angle (left)

- Bring the power tool into the work position.
- Turn the saw table (37) to the 0° detent (14). The lever (12) must be felt to engage in the detent.
- Pull the left-hand adjustable fence (5) all the way out.
- Loosen the clamping handle (13) and swivel the glide arm to the left stop (45°) by the handle (1).

Checking (see figure V1)

- Set an angle gauge to 45° and place it on the saw table (37).


The leg of the angle gauge must be flush with the saw blade (39) along its entire length.

Setting (see figure V2)

- Tighten or loosen the set screw (69) using an open-ended spanner (8 mm) until the leg of the angle gauge is flush with the saw blade along its entire length.
- Retighten the clamping handle (13).

If the angle indicators (32) and (20) are not in line with the 45° marks on the scale (31) following adjustment, first check the 0° setting for the bevel angle and the angle indicators once more. Then repeat the adjustment of the 45° bevel angle.

Setting the Standard 45° Mitre Angle (right)

- Bring the power tool into the work position.
- Turn the saw table (37) to the 0° detent (14). The lever (12) must be felt to engage in the detent.
- Pull the right-hand adjustable fence (5) all the way out.
- Loosen the clamping handle (13).
- Use the handle (1) to tilt the glide arm slightly to the left from the 0° position and turn the rotary knob (38) until the right-hand bevel angle range is shown. 

- Swivel the glide arm to the right stop (45°) by the handle (1).

Checking (see figure W1)

- Set an angle gauge to 135° and place it on the saw table (37).

The leg of the angle gauge must be flush with the saw blade (39) along its entire length.

Setting (see figure W2)

- Tighten or loosen the set screw (70) using an open-ended spanner (8 mm) until the leg of the angle gauge is flush with the saw blade along its entire length.
- Retighten the clamping handle (13).

If the angle indicators (32) and (20) are not in line with the 45° marks on the scale (31) following adjustment, first check the 0° setting for the bevel angle and the angle indicators once more. Then repeat the adjustment of the 45° bevel angle.

Aligning the scale for mitre angles

- Bring the power tool into the work position.
- Turn the saw table (37) to the 0° detent (14). The lever (12) must be felt to engage in the detent.

Checking (see figure X1)

- Set an angle gauge to 90° and position it between the fence (6) and the saw blade (39) on the saw table (37).

The leg of the angle gauge must be flush with the saw blade (39) along its entire length.

Setting (see figure X2)

- Loosen all four set screws (71) using the hex key (4 mm) (16) and turn the saw table (37) together with the scale (36) until the leg of the angle gauge is flush with the saw blade along its entire length.
- Re-tighten the screws again.

If the angle indicator (57) is not aligned with the 0° mark on the scale (36) following adjustment, loosen the screw (72) using a cross-headed screwdriver and align the angle indicator along the 0° mark.

Adjusting the Clamping Force of the Clamping Handle (13) (see figure Y)

The clamping force of the clamping handle (13) can be adjusted.

Checking

- The clamping force of the clamping handle must hold the glide arm securely in place at any bevel angle.

Setting

- Loosen the clamping handle (13).
- Use a socket spanner (17 mm) to turn the set screw (73) anticlockwise to reduce the clamping force or clockwise to increase the clamping force.
- Set a bevel angle, retighten the clamping handle (13) and check whether the required clamping force has been reached.

Transport (see figure Z)

Before transporting the power tool, the following steps must be carried out:

- Slide the glide arm (27) all the way back and secure it in this position.
 - Make sure that the depth stop (29) is pressed all the way in and that the adjusting screw (28) fits through the recess without touching the depth stop when moving the glide arm.
 - Guide the glide arm downwards until you can press the transport safety lock (30) all the way in
 - Slide the saw table extensions (7) all the way in.
 - Set the bevel angle to 0° and tighten the clamping handle (13).
 - Turn the saw table (37) as far as possible to the left and tighten the locking knob (11).
 - Wind up the mains cable and tie it together with the hook-and-loop strap (74).
 - Remove all accessories that cannot be securely fitted to the power tool.
 - If possible, transport unused saw blades in an enclosed container.
 - For transport, hold the power tool by the recessed handles (15) on either side of the saw table.
- **When transporting the power tool, only use the transport fixtures. Never carry the power tool by the protective devices, the glide arm or the handle.**

Maintenance and Service

Maintenance and cleaning

- **Pull the plug out of the socket before carrying out any work on the power tool.**
- **To ensure safe and efficient operation, always keep the power tool and the ventilation slots clean.**

In order to avoid safety hazards, if the power supply cord needs to be replaced, this must be done by **Bosch** or by an after-sales service centre that is authorised to repair **Bosch** power tools.

The retracting blade guard must always be able to move freely and retract automatically. It is therefore important to keep the area around the retracting blade guard clean at all times.

Always remove dust and chips after working by blowing out with compressed air or using a brush.

- Clean the guide roller (19) and the glide arm (27) regularly.

Accessories

	Article number
Screw clamp	1 609 B06 203
Insert plates	1 609 B04 470
Dust bag	1 609 B05 010
Dust extraction adapter	2 607 001 977
GTA 2500 W saw stand	0 601 B12 100
GTA 3800 saw stand	0 601 B24 000

	Article number
GAS 35 M AFC wood dust extractor	0 601 9C3 100
Saw blades for wood and fibreboard, panels and strips	
305 x 25.4 mm saw blade, 60 teeth	2 608 640 914
Saw blades for plastic and non-ferrous metals	
305 x 25.4 mm saw blade, 96 teeth	2 608 642 205
305 x 25.4 mm saw blade, 96 teeth	2 608 642 206

After-Sales Service and Application Service

Our after-sales service responds to your questions concerning maintenance and repair of your product as well as spare parts. You can find explosion drawings and information on spare parts at: www.bosch-pt.com

The Bosch product use advice team will be happy to help you with any questions about our products and their accessories.

In all correspondence and spare parts orders, please always include the 10-digit article number given on the nameplate of the product.

Cambodia

Robert Bosch (Cambodia) Co., Ltd
Unit 8BC, GT Tower, 08th Floor, Street 169,
Czechoslovakia Blvd, Sangkat Veal Vong
Khan 7 Makara, Phnom Penh
VAT TIN: 100 169 511
Tel.: +855 23 900 685
Tel.: +855 23 900 660
www.bosch.com.kh

People's Republic of China

China Mainland

Bosch Power Tool (China) Co. Ltd.
Bosch Service Center
567, Bin Kang Road
Bin Kang District
Hangzhou, Zhejiang Province
China 310052
Tel.: (0571) 8887 5566 / 5588
Fax: (0571) 8887 6688 x 5566# / 5588#
E-Mail: bsc.hz@cn.bosch.com
www.bosch-pt.com.cn

HK and Macau Special Administrative Regions

Robert Bosch Co. Ltd.
21st Floor, 625 King's Road
North Point, Hong Kong
Customer Service Hotline: +852 2101 0235
E-Mail: info@hk.bosch.com
www.bosch-pt.com.hk

India

Bosch Service Center
69, Habibullah Road, (Next to PSBB School), T. Nagar
Chennai – 600077
Phone: (044) 64561816
Bosch Service Center
18, Community Center
Phase 1, Mayapuri

New Delhi – 110064

Phone: (011) 43166190

Bosch Service Center

Shop no 7&8, Aspen garden

Walbhat road, Goregaon (E)

Near to Ram Mandir Railway Station

Mumbai – 400063

Mobile: 09819952950

Indonesia

PT Robert Bosch

Palma Tower 10th Floor

Jalan RA Kartini II-S Kaveling 6

Pondok Pinang, Kebayoran Lama

Jakarta Selatan 12310

Tel.: (21) 3005-5800

www.bosch-pt.co.id

Malaysia

Robert Bosch Sdn. Bhd. (220975-V) PT/SMY

No. 8A, Jalan 13/6

46200 Petaling Jaya

Selangor

Tel.: (03) 79663194

Toll-Free: 1800 880188

Fax: (03) 79583838

E-Mail: kiathoe.chong@my.bosch.com

www.bosch-pt.com.my

Pakistan

Robert Bosch Middle East FZE – Pakistan Liaison Office

2nd Floor Plaza # 10, CCA Block, DHA Phase 5

Lahore, 54810

Phone: +92(303)4444311

Email: Faisal.Khan@bosch.com

Philippines

Robert Bosch, Inc.

11th Floor Ten West Campus

20 LeGrand Ave., McKinley West

Fort Bonifacio, Taguig City 1634

Tel.: (+632) 8703871

www.bosch-pt.com.ph

Singapore

Powerwell Service Centre Ptd Ltd

Bosch Authorised Service Centre (Power Tools)

4012 Ang Mo Kio Ave 10, #01-02 TECHplace

Singapore 569628

Tel.: 6452 1770

Fax: 6452 1760

E-Mail: ask@powerwellsc.com

www.powerwellsc.com

www.bosch-pt.com.sg

Thailand

Robert Bosch Ltd.

FYI Center Tower 1, 5th Floor,

2525 Rama IV Road, Klongtoei,

Bangkok 10110

Tel.: 02 0128888

Fax: 02 0645802

www.bosch.co.th

Bosch Service – Training Centre
La Salle Tower Ground Floor Unit No.2
10/11 La Salle Moo 16
Srinakharin Road
Bangkaew, Bang Plee
Samutprakarn 10540
Tel.: 02 7587555
Fax: 02 7587525

Vietnam

Branch of Bosch Vietnam Co., Ltd in HCMC
14th floor, Deutsches Haus, 33 Le Duan
Ben Nghe Ward, District 1, Ho Chi Minh City
Tel.: (028) 6258 3690
Fax: (028) 6258 3692 - 6258 3694
Hotline: (028) 6250 8555
Email: tuvankhachhang-pt@vn.bosch.com
www.bosch-pt.com.vn

Bahrain

EA Juffali and Brothers for Technical Equipment Company.
Kingdom of Bahrain, Al Aker - Block 0624 - Road 2403 -
Building 0055D
Phone: +97317704537
Fax: +973177045257
Email: h.berjas@ejb.com.sa

Egypt

RBEG-LLC
22 Kamal Eldin Hussein
Sheraton Heliopolis
11799 Cairo
E-mail: boschegypt.powertools@eg.bosch.com

Iran

Robert Bosch Iran
3rd Floor, No 3, Maadiran Building
Aftab St., Khodami St., Vanak Sq.
Tehran 1994834571
Phone: +9821- 86092057

Iraq

Sahba Technology Group
Al Muthana airport road
Baghdad
Phone Bagdad: +964 (0) 7 901 930366
Phone Dubai: +971 (0) 4 422 1898
Email: duraid@sahbatechnology.com

Jordan

Roots Arabia – Jordan
Al-Hurriyah Street, Al-Muqabalein
Amman 11623, Jordan
P.O. Box: 110068
Tel. : +962 6 4398990
E-mail: bosch@rootsjordan.com

Kuwait

Shuwaikh Industrial Area, Block 1, Plot 16, Street 3rd
P.O. Box 164 – Safat 13002
Phone: +965 - 2496 88 88

Fax: +965 - 2481 08 79

E-mail: josephkr@aaalmutawa.com

Lebanon

Tehini Hana & Co. S.A.R.L.
P.O. Box 90-449
Jdeideh 1202 2040
Dora-Beirut
Phone: +9611255211
Email: service-pt@tehini-hana.com

Libya

El Naser for Workshop Tools
Swanee Road, Alfalah Area
Tripoli
Phone: +218 21 4811184

Oman

Malatan Trading & Contracting LLC
P.O. Box 131, Ruwi, Muscat
Postal Code: 112, Sultanate of Oman
Phone: +968 2479 4035/4089/4901
Mob: +968-91315465
Fax: +968 2479 4058
E-Mail: sudhirkumar@malatan.net

Qatar

International Construction Solutions W L L
P. O. Box 51, Doha
Phone: +974 40065458
Fax: +974 4453 8585
Email: csd@icsdoha.com

Saudi Arabia

Juffali Technical Equipment Co. (JTECO)
P.O.Box: 1049 – Jeddah 21431 – KSA
Jeddah: 00966 (0) 12 692 0770 – Ext 433
Riyadh: 00966 (0) 11 409 3976 – Ext-30/34/39
Dammam: 00966 (0) 13 833 9565
E-mail: M.Zreik@ejb.com.sa

Syria

Dallal Establishment for Power Tools
Damascus. Baramkeh street - Ibn Amer street,
Phone: +963112241006 or 009631122414009
Mobile: 00963991141005
Email: rita.dallal@hotmail.com

United Arab Emirates

Central Motors & Equipment,
P.O. Box 26255, Dubai
Dubai: 00971 (0) 4 3090920/3090930
Abu Dhabi: 00971 (0) 2 4017745
Sharjah: 00971 (0) 6 5932777
Al Ain: 00971 (0) 3 7157419
E-Mail: Mallappa.Madari@centralmotors.ae

Yemen

Abu Alrejal Trading Corporation
P.O. Box : 17024 , Zubeiry St.
Sana'a, Yemen
Tel: +967-1-20 20 10
Fax: +967-1-47 19 17
E-mail: tech-tools@abualrejal.com/yahya@abualrejal.com

Ethiopia

Forever plc
Kebele 2,754, BP 4806,
Addis Ababa
Phone: +251 111 560 600
Email: foreverplc@ethionet.et

Ghana

Robert Bosch Ghana Limited
21 Kofi Annan Road Airport Residential Area Accra
Tel. +233 (0)3027 94616

Kenya

Robert Bosch East Africa Ltd
Mpaka Road P.O. Box 856
00606 Nairobi

Nigeria

Robert Bosch Nigeria Ltd.
52-54 Isaac John Street P.O. Box
GRA Ikeja - Lagos

Tanzania

Diesel & Autoelectric Service Ltd.
117 Nyerere Rd., P.O. Box 70839
Vingunguti 12109, Dar Es Salaam
Phone: +255 222 861 793/794

Australia, New Zealand and Pacific Islands

Robert Bosch Australia Pty. Ltd.
Power Tools
Locked Bag 66
Clayton South VIC 3169
Customer Contact Center
Inside Australia:
Phone: (01300) 307044
Fax: (01300) 307045
Inside New Zealand:
Phone: (0800) 543353
Fax: (0800) 428570
Outside AU and NZ:
Phone: +61 3 95415555
www.bosch-pt.com.au
www.bosch-pt.co.nz

Myanmar

Asia Era Company Limited
No.(40/44), Parami Road, 4th Quarter, South Okkalapa Tsp,
Yangon, Myanmar

**Republic of South Africa
Customer service**

Hotline: (011) 6519600

Gauteng - BSC Service Centre

35 Roper Street, New Centre
Johannesburg
Tel.: (011) 4939375
Fax: (011) 4930126
E-Mail: bsctools@icon.co.za

KZN - BSC Service Centre

Unit E, Almar Centre
143 Crompton Street

Pinetown

Tel.: (031) 7012120
Fax: (031) 7012446
E-Mail: bsc.dur@za.bosch.com

Western Cape - BSC Service Centre

Democracy Way, Prosperity Park
Milnerton
Tel.: (021) 5512577
Fax: (021) 5513223
E-Mail: bsc@zsd.co.za

Bosch Headquarters

Midrand, Gauteng
Tel.: (011) 6519600
Fax: (011) 6519880
E-Mail: rbsa-hq.pts@za.bosch.com

Armenia, Azerbaijan, Georgia

Robert Bosch Ltd.
David Agmashenebeli ave. 61
0102 Tbilisi, Georgia
Tel. +995322510073
www.bosch.com

**Kyrgyzstan, Mongolia, Tajikistan, Turkmenistan,
Uzbekistan**

TOO "Robert Bosch" Power Tools, After Sales Service
Muratbaev Ave., 180
050012, Almaty, Kazakhstan
Service Email: service.pt.ka@bosch.com
Official Website: www.bosch.com, www.bosch-pt.com

Disposal

The power tool, accessories and packaging should be recycled in an environmentally friendly manner.



Do not dispose of power tools along with household waste.

中文**安全规章****电动工具通用安全警告****警告！**

阅读所有警告和所有说明！不遵照以下警告和说明书会导致电

击、着火和 / 或严重伤害。

保存所有警告和说明书以备查阅。

在所有下列的警告中术语“电动工具”指市电驱动（有线）电动工具或电池驱动（无线）电动工具。

工作场地的安全

► 保持工作场地清洁和明亮。混乱和黑暗的场地会引发事故。

- ▶ 不要在易爆环境，如有易燃液体、气体或粉尘的环境下操作电动工具。电动工具产生的火花会点燃粉尘或气体。
- ▶ 让儿童和旁观者离开后操作电动工具。注意力不集中会使操作者失去对工具的控制。

电气安全

- ▶ 电动工具插头必须与插座相配。绝不能以任何方式改装插头。需接地的电动工具不能使用任何转换插头。未经改装的插头和相配的插座将减少电击危险。
- ▶ 避免人体接触接地表面，如管道、散热片和冰箱。如果你身体接地会增加电击危险。
- ▶ 不得将电动工具暴露在雨中或潮湿环境中。水进入电动工具将增加电击危险。
- ▶ 不得滥用电线。绝不能用电线搬运、拉动电动工具或拔出其插头。使电线远离热源、油、锐边或运动部件。受损或缠绕的软线会增加电击危险。
- ▶ 当在户外使用电动工具时，使用适合户外使用的外接软线。适合户外使用的软线将减少电击危险。
- ▶ 如果在潮湿环境下操作电动工具是不可避免的，应使用剩余电流动作保护器（RCD）。使用RCD可减小电击危险。

人身安全

- ▶ 保持警觉，当操作电动工具时关注所从事的操作并保持清醒。当你感到疲倦，或在有药物、酒精或治疗反应时，不要操作电动工具。在操作电动工具时瞬间的疏忽会导致严重人身伤害。
- ▶ 使用个人防护装置。始终佩戴护目镜。安全装置，诸如适当条件下使用防尘面具、防滑安全鞋、安全帽、听力防护等装置能减少人身伤害。
- ▶ 防止意外启动。确保开关在连接电源和/或电池盒、拿起或搬运工具时处于关断位置。手指放在已接通电源的开关上或开关处于接通时插入插头可能会导致危险。
- ▶ 在电动工具接通之前，拿掉所有调节钥匙或扳手。遗留在电动工具旋转零件上的扳手或钥匙会导致人身伤害。
- ▶ 手不要伸展得太长。时刻注意立足点和身体平衡。这样在意外情况下能很好地控制电动工具。
- ▶ 着装适当。不要穿宽松衣服或佩戴饰品。让衣服、手套和头发远离运动部件。宽松衣服、配饰或长发可能会卷入运动部件中。
- ▶ 如果提供了与排屑、集尘设备连接用的装置，要确保他们连接完好且使用得当。使用这些装置可减少尘屑引起的危险。
- ▶ 即使由于经常使用电动工具而对此非常熟悉，也不要就认为可以高枕无忧而忽略工具的安全规定。粗心大意的行为可能在瞬间就造成严重的伤害。

电动工具使用和注意事项

- ▶ 不要滥用电动工具，根据用途使用适当的电动工具。选用适当设计的电动工具会使你工作更有效、更安全。

- ▶ 如果开关不能接通或关断工具电源，则不能使用该电动工具。如果开关不能接通或关断工具电源，则不能使用该电动工具。
- ▶ 在进行任何调节、更换附件或贮存电动工具之前，必须从电源上拔掉插头和/或使电池盒与工具脱开。这种防护性措施将减少工具意外起动的危险。
- ▶ 将闲置不用的电动工具贮存在儿童所及范围之外，并且不要让不熟悉电动工具或对这些说明不了解的人操作电动工具。电动工具在未经培训的用户手中是危险的。
- ▶ 保养电动工具。检查运动件是否调整到位或卡住，检查零件破损情况和影响电动工具运行的其他状况。如有损坏，电动工具应在使用前修理好。许多事故由维护不良的电动工具引发。
- ▶ 保持切削刀具锋利和清洁。保养良好的有锋利切削刃的刀具不易卡住而且容易控制。
- ▶ 按照使用说明书，考虑作业条件和进行的作业来使用电动工具、附件和工具的刀头等。将电动工具用于那些与其用途不符的操作可能会导致危险。
- ▶ 保持手柄和握持表面干燥、清洁、无油污。在突发情况下，滑溜的手柄和握持表面无法确保安全地握持和控制工具。

维修

- ▶ 将你的电动工具送交专业维修人员，使用同样的备件进行修理。这样将确保所维修的电动工具的安全性。

斜切锯安全警告

- ▶ 斜切锯用于切割木材及类似木材的产品，不得与切割砂轮一起使用而用于切割铁质材料（比如棒、杆、螺栓等）。磨屑会导致移动件（比如下部防护罩）卡住。砂轮切割产生的火花会烧坏下部防护罩、切口嵌件和其它塑料零部件。
- ▶ 尽可能使用夹箍来支承加工件。如果用手支承加工件，必须始终确保手与锯片的每一侧至少相距 100 mm。如果加工件太小而不能稳固夹紧或用手握住，则不要使用此锯切割。如果您的手离锯片过近，因接触锯片而导致受伤的风险就会增大。
- ▶ 加工件必须保持固定和夹紧，或紧靠栅栏和桌面。不要将加工件送入锯片或以任何方式徒手切割。未固定或可移动的加工件可能会高速抛出，从而导致受伤。
- ▶ 采用推入方式切割加工件。不要采用拉动方式。进行切割时，抬起锯头并将其拉出至加工件上方而不要进行切割，起动机，将锯头向下压，并将锯推入加工件。如果在拉动行程切割，很可能会导致锯片攀爬到加工件顶部，并将锯片总成猛烈抛向操作员。
- ▶ 切勿将手交叉放在锯片前面或后面的目标切割线上。交叉用手支承加工件（即用左手将加工件固定在锯片右侧，或用右手将加工件固定在锯片左侧）非常危险。
- ▶ 当锯片旋转时，不要为了去除木头碎片或出于任何其它原因，而将手伸到栅栏后面距离锯片每侧

- 小于100 mm的位置。旋转锯片与手部的距离可能不太明显，从而会导致严重受伤。
- ▶ **切割之前，先检查您的加工件。如果加工件弯曲或扭曲，则将其夹紧，使外弓面朝向栅栏。始终确保加工件、栅栏与桌面之间沿切割线处没有空隙。**弯曲或扭曲的加工件会扭动或移动，可能导致切割时旋转锯片上出现粘结。加工件中不得有钉子或异物。
 - ▶ **将桌面上除加工件之外的所有工具、木头碎片等清理干净之后，才可以使用锯。**小碎片或散乱的碎木屑或其它接触旋转锯片的物体会被高速抛出。
 - ▶ **每次只能切割一个加工件。**多个加工件堆叠在一起便无法充分夹紧或绷紧，可能导致切割时锯片上出现粘结或加工件移动。
 - ▶ **使用之前，应确保将斜切锯安装或放置在水平、牢固的工作表面上。**水平且牢固的工作表面可降低斜切锯不稳定的风险。
 - ▶ **计划您的工作。每次更换斜面或斜角设置时，应确保正确设置可调栅栏以支撑加工件，并确保其不会干扰锯片或防护系统。**在工具关闭并且桌面上不放置加工件的情况下，模拟锯片穿过整个切口的过程，以确保没有干扰或切到栅栏的风险。
 - ▶ **加工比桌面更宽或更长的加工件时，应提供充分支撑，比如工作台延伸、锯木架等。**如果支撑不牢固，比斜切锯桌面更长或更宽的加工件会倾斜。如果切割件或加工件倾斜，它会抬起下部防护罩或被旋转锯片抛出。
 - ▶ **不要让另一个人代替工作台延伸或作为附加支撑。**如果加工件支撑不稳定，会导致锯片出现粘结或者加工件在切割操作期间移动，从而将您及助手拉至旋转的锯片。
 - ▶ **切割件不得卡住或压住旋转的锯片。**如果进行限制（使用长度限制止挡），切割件会楔入锯片并猛烈抛出。
 - ▶ **当对圆形材料（比如杆或管材）进行切割时，务必使用可正确支撑的夹箍或夹具。**杆在切割时可能会滚动，导致锯片“切入”并将您手中的工件拉向锯片。
 - ▶ **接触加工件之前，使锯片达到全速。**这会降低加工件抛出的风险。
 - ▶ **如果加工件或锯片卡住，则关闭斜切锯。**待所有移动件都停止后，拔下电源插头并/或拆下电池组。然后使卡住的材料可以自由移动。继续切割卡住的加工件会导致斜切锯失控或损坏。
 - ▶ **切割完成后，释放开关，保持锯头向下，待锯片停止后去除切割件。**用手接近滑转锯片非常危险。
 - ▶ **进行不完全切断时，或者在锯头完全处于向下位置之前释放开关时，应紧紧握住手柄。**锯的制动操作会导致锯头突然向下拉动，存在受伤风险。
 - ▶ **工作场地应保持清洁。**材料混合特别危险。轻金属粉尘可能会起火燃烧或爆炸。
 - ▶ **不可以使用已经变钝、有裂痕、弯曲或损坏的锯片。**锯片如果已经变钝了，或者锯齿变形了，会因为锯缝过小而提高锯割时的摩擦，锯片容易被夹住并造成反弹。

- ▶ **不可以使用高合金快速钢（HSS）制造的锯片。**此类锯片容易折断。
- ▶ **始终使用轴孔尺寸和形状（菱形/圆形）正确的锯片。**与台锯的安装硬件不匹配的锯片会偏离中心，造成失控。
- ▶ **不可以使用其他类型的激光替代机器中的激光。**安装了不适合电动工具的激光可能危害他人。
- ▶ **如果电动工具仍在运转，不可以试着清除锯割范围内的锯屑、木屑等等。**始终先收回机臂然后再关闭电动工具。
- ▶ **工作后如果锯片尚未冷却，切勿触摸锯片。**工作时锯片会变得非常灼热。
- ▶ **切勿遮盖了电动工具上的警示牌。**
- ▶ **小心 - 如果使用了与此处指定的操作或校准设备不同的设备，或执行了不同的过程方法，可能会导致危险的光束泄露。**
- ▶ **不可以使用其他类型的激光替代机器中的激光。**安装了不适合电动工具的激光可能危害他人。
- ▶ **请不要对激光装置进行任何更改。**您可以安全地使用本说明书中描述的设置选项。



不得将激光束指向人或动物，请勿直视激光束或反射的激光束。可能会致人炫目、引发事故或损伤眼睛。

图标

以下符号可以帮助您正确地使用本电动工具。请牢记各符号和它们的代表意思。正确了解各符号的代表意思，可以帮助您更有把握更安全地操作本电动工具。

图标及其含义

	1级激光
	当电动工具运转时，切勿把手放在锯切区域内。 碰到锯片会有受伤风险。
	请佩戴防尘口罩。
	请佩戴护目镜。

图标及其含义



请佩戴听力防护装置。工作噪音会损坏听力。



危险区域! 手掌、手指或手臂必须尽可能远离该区域。



手指不要伸入滑动臂的运动部件之间。手指可能被挤压并造成严重伤害。



注意锯片的尺寸。孔径必须无间隙地与工具主轴贴合。如果必须使用缩径套, 应注意根据锯片厚度、锯片孔径以及工具主轴直径来匹配缩径套的尺寸。尽可能使用与锯片配套的缩径套。

锯片直径必须与图标上的说明一致。



搬运电动工具时只能握在标记的位置上(握柄槽)或握在搬运柄上。



切勿使用滑动臂的握柄提携电动工具。



接通激光



夹紧手柄打开:
可以调整垂直斜切角度。
夹紧手柄关闭:

保持调整后的滑动臂垂直斜切角度。



显示调整垂直斜切角度的各个步骤。

1. 松开夹紧手柄
2. 略微向左摆动滑动臂
3. 通过旋钮调整所需的垂直斜切角度范围



通过旋钮调整垂直斜切角度范围:

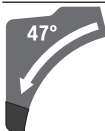


锯片向左倾斜 (45度至0度)

图标及其含义



锯片向右倾斜 (0度至45度)



滑动臂的整个摆动范围 (-47度至+47度)

产品和性能说明



请阅读所有安全规章和指示。不遵照以下警告和说明可能导致电击、着火和/或严重伤害。

请注意本使用说明书开头部分的图示。

按照规定使用

本电动工具适合以站立的方式, 在木材上进行纵向和横向的直线锯切。水平斜切角度的范围在-52度至+60度之间, 垂直斜切角度的范围在47度(左侧)至47度(右侧)之间。

本电动工具的功率适合锯切硬木和软木, 以及木屑夹板和纤维板。

安装了合适的锯片后, 也可以锯切铝制型材和塑料。

插图上的机件

机件的编号和电动工具详解图上的编号一致。

- (1) 手柄
- (2) 电源开关的开机锁
- (3) 防护罩
- (4) 摆动防护罩
- (5) 活动式挡轨
- (6) 挡轨
- (7) 锯台延长件
- (8) 安装孔
- (9) 垫板
- (10) 锁定夹
- (11) 任意斜切角度的固定旋钮(水平)
- (12) 斜切角度预设置杆(水平)
- (13) 任意斜切角度的夹紧柄(垂直)
- (14) 标准斜切角度的标记槽(水平)
- (15) 握柄槽
- (16) 内六角扳手(6毫米/4毫米)
- (17) 内六角扳手(2毫米)
- (18) 螺旋夹钳
- (19) 滑轮
- (20) 右侧斜切角度范围(0度至47度)角度指示器(垂直)
- (21) 导屑器
- (22) 出屑口

- (23) 吸尘适配接头
- (24) 滑动机构的固定杆
- (25) 激光警戒牌
- (26) 激光保护盖
- (27) 滑动臂
- (28) 限深器的调整螺栓
- (29) 深度尺
- (30) 运输固定装置
- (31) 斜切角度刻度尺 (垂直)
- (32) 左侧斜切角度范围 (47度至0度) 角度指示器 (垂直)
- (33) 22.5度斜切角度的调整钮 (垂直)
- (34) 长度限制器的锁定螺栓^{A)}
- (35) 长度限制器^{A)}
- (36) 斜切角度刻度尺 (水平)
- (37) 锯台
- (38) 调整斜切角度范围 (垂直) 的旋钮
- (39) 锯片
- (40) 激光束发射口
- (41) 摆动防护罩的支撑杆锁定螺栓
- (42) 摆动防护罩的支撑杆
- (43) 前部固定螺栓
(盖板/摆动防护罩)
- (44) 后部固定螺栓
(盖板/摆动防护罩)
- (45) 遮板
- (46) 主轴锁
- (47) 固定锯片的内六角螺栓
- (48) 夹紧法兰
- (49) 内夹紧法兰
- (50) 锯台延长件夹紧杆
- (51) 活动式挡轨的锁定螺栓
- (52) 减震器
- (53) 减震器调节螺栓
- (54) 螺旋夹钳安装孔
- (55) 翼形螺栓
- (56) 螺杆
- (57) 斜切角度的角度指示器 (水平)
- (58) 电源开关
- (59) 激光开关 (锯切线标记)
- (60) 垫板的固定螺栓
- (61) 长度限制器的夹紧螺栓^{A)}
- (62) 激光保护盖螺栓
- (63) 激光定位调整螺栓 (齐平度)
- (64) 激光安装板的固定螺栓
- (65) 激光器壳体的固定螺栓
- (66) 基本设定0度 (垂直斜切角度) 的调整螺栓
/
(67) /
(68) /
- (69) 基本设定45度 (左侧垂直斜切角度) 的调整螺栓
- (70) 基本设定45度 (右侧垂直斜切角度) 的调整螺栓
- (71) 斜切角度刻度尺调整螺栓 (水平)
- (72) 角度指示器螺栓 (水平)
- (73) 任意斜切角度 (垂直) 夹紧手柄夹紧力调整螺栓
- (74) 魔术贴固定带

A) 图表或说明上提到的附件，并不包含在基本的供货范围中。本公司的附件清单中有完整的附件供应项目。

技术参数

斜断锯		GCM 12 GDL	GCM 12 GDL
物品代码		3 601 M23 641 3 601 M23 6L1	3 601 M23 6B1 3 601 M23 681 3 601 M23 6K1
额定输入功率	瓦	2000	1800
额定电压	伏特	230-240	220-230
频率	赫兹	50	50/60
空载转速	转/分钟	4000	4000
起动电流限制		●	●
激光种类	纳米	650	650
	毫瓦	< 1	< 1
激光等级		1	1
重量符合EPTA-Procedure 01:2014	千克	32.1	32.1
保护等级		□/II	□/II

斜断锯		GCM 12 GDL	GCM 12 GDL
合适锯片的尺寸			
锯片直径	毫米	305	305
锯片主体的厚度	毫米	1.7-2.6	1.7-2.6
最大切割宽度	毫米	3.2	3.2
固定孔直径	毫米	25.4	25.4

许可的工件尺寸(参见“许可的工件尺寸”,页39)

安装

- ▶ **避免意外启动电动工具。安装锯片时或在电动工具上所有工作时，电源插头都不允许连接电源。**

供货范围



为此请注意操作说明书开头显示的供货范围。

电动工具初次投入运行前请检查下列零件是否均配套提供:

- 已经安装好锯片(39)的斜断锯
- 固定旋钮(11)
- 内六角扳手(16)
- 内六角扳手(17)
- 螺旋夹钳(18)

提示: 检查电动工具是否有损坏之处。

使用电动工具之前，必须详细检查防护装置或轻微损坏的零件是否仍然运作正常。检查活动性零件是否功能正常不会被夹住，以及该零件有否受损。所有的零件都必须安装正确，并且符合规定以确保机器的正常功能。

损坏的防护装置和零件必须按照规定交给合格的专业修理厂修理或更换。

除了供货范围中的部件之外，您还须使用以下的工具:

- 十字螺栓起子
- 开口扳手(尺寸: 8毫米)
- 环形扳手、开口扳手或套筒扳手(尺寸: 10毫米和17毫米)

安装各部件

- 小心地从包装中取出所有的供货物品。
- 拆除电动工具和附带附件上的所有包装材料。

安装固定旋钮(参见插图a)

- 将固定旋钮(11)旋入杆(12)上方相应的孔中。
- ▶ **锯切前务必拧紧固定旋钮(11)。**否则锯片可能在工件中倾斜。

固定或活动的安装方式

- ▶ **为了能够稳定地操作机器，正式使用之前，必须将电动工具固定在平坦、稳固的工作平面上(例如工作台)。**

安装在工作面上(参见插图b1)

- 使用合适的螺栓连接将电动工具固定在工作面上。为此需要钻孔(8)。

或

- 使用市售螺旋夹钳将电动工具的支撑脚夹紧在工作面上。

安装在博世工作台上

(参见插图b2)

(GTA 2500 W, GTA 3700, GTA 3800)

博世的GTA工作台有可调整高度的桌脚，使电动工具能够站立在任何底面上。工作台的工件托架用于支撑住比较长的工件。

- ▶ **阅读工作台附带的所有警告提示和说明。**如果不遵守警告提示和说明，可能会导致触电、火灾和/或严重受伤的后果。
- ▶ **安装电动工具之前必须先正确地组装工作台。**正确组装工作台非常重要，这样可以避免工作台倒塌。
- 将电动工具以运输位置安装在工作台上。

吸锯尘/吸锯屑

含铅的颜料以及某些木材、矿物和金属的加工废尘有害健康。机器操作者或者工地附近的人如果接触、吸入这些废尘，可能会有过敏反应或者感染呼吸道疾病。

某些尘埃(例如加工橡木或山毛榉的废尘)可能致癌，特别是和处理木材的添加剂(例如木材的防腐剂等)结合之后。只有经过专业训练的人才能够加工含石棉的物料。

- 尽可能使用适合物料的吸尘装置。
- 工作场所要保持空气流通。
- 最好佩戴P2滤网等级的口罩。

请留心并遵守贵国和加工物料有关的法规。

- ▶ **避免让工作场所堆积过多的尘垢。**尘垢容易被点燃。

尘/屑收集装置可能因为废尘、废屑或工件的残屑而造成堵塞。

- 关闭电动工具，并且从插座中拔出插头。
- 静候让锯片完全停止转动。
- 找出造成阻塞的原因，并且排除障碍。

外部集尘

集尘时，可以将集尘器软管(直径35毫米)连接到吸尘适配接头(23)上。

- 将集尘器软管与吸尘适配接头(23)连接到一起。

根据工件的物料选择合适的集尘装置。

抽吸可能危害健康、可能导致癌症或干燥的废尘时，务必使用特殊的集尘装置。

清洁吸尘适配接头

为确保最佳的集尘效果，必须定期清洁吸尘适配接头(23)。

- 将吸尘适配接头(23)旋转着从锯屑排口(22)中拉下。
- 清除工件的碎块和锯屑。
- 重新将吸尘适配接头旋转着压入锯屑排口，直到其越过锯屑排口的支撑环并卡牢。

更换锯片 (参见插图c1-c4)

▶ 在电动工具上进行所有操作之前都必须从插座上拔出电源插头。

▶ 安装锯片时务必穿戴防护手套。手如果接触锯片可能被割伤。

所使用的锯片的最高许可转速必须高于电动工具的无负载转速。

根据本说明书中提出的技术数据选择合适的锯片。必须选用通过EN 847-1认证而且标示了此认证的锯片。

只能使用由本电动工具制造商所推荐的锯片，以及适合加工物料的锯片。这可防止锯切时锯齿过热。

拆卸锯片

- 将电动工具调整在工作位置上。
- 手动旋上锁定螺栓(41)，直至支撑杆(42)自由下垂。
- 用内六角扳手(毫米)(16)松开固定螺栓(43)(约2圈)。不要完全拧出螺栓。
- 用内六角扳手(毫米)(16)松开固定螺栓(44)(约6圈)。不要完全拧出螺栓。
- 向前抽拉遮板(45)，接着向下压，使其脱离固定螺栓(44)。
- 将摆动防护罩(4)向后翻，并将其保持在该位置。
- 通过固定螺栓(44)上方的孔挂住支撑杆(42)。这样便可以让摆动防护罩保持在打开位置。
- 用内六角扳手(毫米)(16)转动内六角螺栓(47)，同时按下主轴锁(46)，直到卡紧。
- 按住主轴锁(46)并顺时针拧出内六角螺栓(47)(左螺纹!)。
- 取下夹紧法兰(48)。
- 取下锯片(39)。

安装锯片

▶ 安装时请注意，锯齿的锯切方向(锯片上的箭头方向)必须和防护罩上的箭头方向一致!

必要的话，在安装之前清洁所有的零部件。

- 将新锯片放到内夹紧法兰(49)上。
- 装上夹紧法兰(48)和内六角螺栓(47)。按压主轴锁(46)，直至卡止，然后逆时针拧紧内六角螺栓。

- 将支撑杆(42)从固定螺栓(44)上松开，然后将摆动防护罩(4)重新向下移动。
- 将遮板(45)重新推到固定螺栓(44)下面。
- 重新拧紧固定螺栓(44)和(43)。
- 将支撑杆(42)推到初始位置，然后重新手动拧上锁定螺栓(41)。

运行

▶ 在电动工具上进行所有操作之前都必须从插座上拔出电源插头。

运输固定装置 (参见插图A)

运输固定装置(30)方便您将电动工具运输到不同的安装位置。

松开电动工具的锁定 (工作位置)

- 通过手柄(1)略微向下按压滑动臂(27)，以松开运输固定装置(30)。
- 向外完全拉出运输固定装置(30)。
- 慢慢地向上提起滑动臂(27)。

锁定电动工具 (运输位置)

- 将滑动臂(27)向后推到底并将其固定在该位置。
- 尽可能地向下移动滑动臂，直至运输固定装置(30)可以向内压到底。

其他提示：(参见“运输(参见插图Z)”，页41)

锁定滑动臂

滑动臂(27)的滑动机构可以通过夹紧杆(24)来锁定。滑动臂可以固定在两个位置：

- 滑动臂向后推到末端(为了锯断)
- 滑动臂向前拉到底(为了紧凑的运输位置)

解开滑动臂的锁定 (参见插图B1)

解开滑动臂(27)的锁定后，整个滑动机构都可以使用。

- 将夹紧杆(24)向下推压到底。
- 此时夹紧楔便会放开滑动臂上的两个下部铰接件。

锁定滑动臂 (参见插图B2)

滑动臂向后推到底：

- 将滑动臂(27)向后推到底。
- 此时滑动臂的两个上部铰接件会竖立起来并且会被关闭。
- 向上拉起夹紧杆(24)，至夹紧楔正确地定位在滑动臂的两个下部铰接件之间。
- 此时便能够锁定被向后推到底的滑动臂(27)。

滑动臂向前拉到底：

- 将滑动臂(27)向前拉到底。
- 此时滑动机构会完全被抽出。
- 向上拉起夹紧杆(24)，至夹紧楔正确地定位在滑动臂的两个下部铰接件之间。
- 此时便能够锁定被向前推到底的滑动臂(27)。

准备工作

加长锯台 (参见插图C)

长工件的末端不可以悬空，必须做好支撑工作。
借助锯台延长件(7)可以向左右加大锯台。

– 将夹紧杆(50)向内翻。

锯切水平和/或垂直斜切角度时，必须根据切割方向向外拉动或完全取下左右侧的活动式挡轨(5)。

- 向外拉动锯台延长件(7)，直至达到所需的长度(最大250毫米)。
- 固定锯台延长件时，请再次向外按压夹紧杆(50)。

移动挡轨 (参见插图D-E)

垂直斜切角度 水平斜切角度

0度-47度 (左侧)	≤ 44度 (左侧/右侧)	– 松开锁定螺栓(51)。 – 向外完全拉出左侧活动式挡轨(5)。
0度-47度 (左侧)	≥ 45度 (左侧/右侧)	– 松开锁定螺栓(51)。 – 向外完全拉出左侧活动式挡轨(5)。 – 向上提起活动式挡轨。 – 取下锁定螺栓(51)。
0度-47度 (右侧)	≤ 44度 (左侧/右侧)	– 松开锁定螺栓(51)。 – 向外完全拉出右侧活动式挡轨(5)。
0度-47度 (右侧)	≥ 45度 (左侧/右侧)	– 向上提起活动式挡轨。

调整滑动臂的减震功能 (参见插图F)

滑动臂(27)的滑动机构在出厂前就已预设好，交付电动工具时未减震。

您可以使用减震器(52)来调整滑动臂的减震功能：

硬 – 稳定地操作动作；

软 – 快速地锯切。

– 用内六角扳手(毫米)(16)松开两个调整螺栓(53)，可获得更软的减震效果

– 或

– 将两个调整螺栓(53)再拧紧一些，可以获得更硬的减震效果。

固定工件 (参见插图G)

为了确保最佳工作安全性，务必固定好工件。不要加工太小而无法固定的工件。

– 把工件紧紧地顶在挡轨(6)和(5)上。

– 将随附的螺旋夹钳(18)插到规定的孔(54)中。

– 拧松翼形螺栓，根据工件调整螺栓夹钳。重新拧紧翼形螺栓。

– 拧紧螺杆(56)，从而固定住工件。

放松工件

– 逆时针旋转螺杆(56)，以便松开螺栓夹钳。

设定水平和垂直斜切角度

▶ **维修电动工具或换装零、配件之前，务必从插座上拔出插头并使金刚石锯片处于静止状态。**

为了确保精确的锯切，在频繁使用之后必须检查电动工具的基本设定，必要时进行适度调整。

检查时不仅要有足够的经验，而且还要使用特殊工具。

博世的客户服务中心能够快速可靠地执行这项工作。

▶ **锯切前务必拧紧固定旋钮(11)。**否则锯片可能在工件中倾斜。

调整水平斜切角度

调整水平标准斜切角度 (参见插图H)

锯台上设有标记槽(14)，以便快速精确地调整经常使用的水平斜切角度：

左	右
0°	
45°; 31.6°; 22.5°; 15°	15°; 22.5°; 31.6°; 45°; 60°

– 如果固定旋钮(11)被拧紧了，请先松开。

– 拉动杆(12)，向左或向右转动锯台(37)，直至达到所需的标记槽。

– 重新松开杆。杆必须正确地陷入标记槽中。

– 再次拧紧固定旋钮(11)。

设定任意水平斜切角度 (参见插图I)

水平斜切角度的调整范围在52°(左侧)和60°(右侧)之间。

– 如果固定旋钮(11)被拧紧了，请先松开。

– 拉动杆(12)，同时按压锁定夹(10)，直至卡入规定的凹槽中。这样锯台就能自由移动。

– 通过固定旋钮向左或向右转动锯台(37)，直至角度指示器(57)指在需要的水平斜切角度上。

– 再次拧紧固定旋钮(11)。

– 要重新松开杆(12)(为了调整水平标准斜角尺)，将杆向上拉。

锁定夹(10)跳回初始位置，杆(12)可以重新卡入标记槽(14)。

设定垂直斜切角度

垂直斜切角度的调整范围在47°(左侧)和47°(右侧)之间。

为了能够快速且精准地设定经常使用的垂直斜切角度，在0°、22.5°、45°和47°上有限制器。

调整左侧垂直斜切角度范围 (45°至0°)

L

- 向外完全拉出左侧活动式挡轨(5)。
- 松开夹紧手柄(13)。
- 握着手柄(1)将滑动臂(27)向左摆动，直至角度指示器(32)指在需要的垂直斜切角度上。
- 让滑动臂(27)保持在这个位置，并重新拧紧夹紧手柄(13)。
不管是设定在哪一个垂直的斜切角度上，固定提杆的夹紧力必须能够紧紧地固定好滑动臂。

调整右侧垂直斜切角度范围 (0度至45度) (参见插图J)

45°R

- 向外完全拉出右侧活动式挡轨(5)。
- 松开夹紧手柄(13)。
- 握住手柄(1)使滑动臂(27)离开0度位置略微向左倾斜，转动旋钮(38)，直至显示所需的垂直斜切角度范围。
- 握住手柄(1)将滑动臂(27)向右摆动，直至角度指示器(20)指在需要的斜切角度上。
- 让滑动臂(27)保持在这个位置，并重新拧紧夹紧手柄(13)。
不管是设定在哪一个垂直的斜切角度上，固定提杆的夹紧力必须能够紧紧地固定好滑动臂。

将垂直标准斜切角度调到0°

为了能够再次将垂直标准斜切角度轻松调整到0°，请将旋钮(38)卡入左侧垂直斜切角度范围。

- 将滑动臂(27)向右摆动，越过0°位置。

调整整个垂直斜切角度范围 (-47°至+47°)

47°

- 向外完全拉出两个活动式挡轨(5)。
- 松开夹紧手柄(13)。
- 握住手柄(1)使滑动臂(27)离开0度位置略微向左倾斜，转动旋钮(38)，直至显示所需的垂直斜切角度范围。
- 握住手柄(1)将滑动臂(27)向左或向右摆动，直至角度指示器(32)或(20)指在需要的垂直斜切角度上。
- 让滑动臂(27)保持在这个位置，并重新拧紧夹紧手柄(13)。
不管是设定在哪一个垂直的斜切角度上，固定提杆的夹紧力必须能够紧紧地固定好滑动臂。

将垂直标准斜切角度调到22.5° (参见插图K)

将调整按钮(33)向外完全拉出并旋转90°。然后，握住手柄(1)摆动滑动臂(27)，直至听到滑动臂的卡止声。

投入使用

- ▶ **注意电源电压！** 电源的电压必须和电动工具铭牌上标示的电压一致。标记为230伏电动工具用220伏的电压可以驱动。

接通 (参见插图L)

- 接通电动工具时，首先将开机锁(2)推到中间，然后按压电源开关(58)并按住。

提示：基于安全的顾虑，电源开关(58)无法被锁定。所以操作机器时必须持续地按住开关。

关机

- 关闭时，请松开电源开关(58)。

起动电流限制装置

电子起动电流限制功能可限制电动工具开机时的功率，让电动工具在16安培保险丝的保护下工作。

提示：开机后，电动工具马上以最大转速开始运转，这代表起动电流限制装置和重启保护功能失灵了。必须立即将电动工具寄给客户服务中心。

工作提示

一般性的锯切提示

- ▶ 锯切之前务必拧紧固定旋钮(11)和夹紧手柄(13)。否则锯片可能在工件中倾斜。
- ▶ 进行任何锯切之前，必须先确定锯片不会接触挡轨、螺旋夹钳或其它的机件。必要时得拆除辅助挡块，或者适度调整辅助挡块。

保护锯片免受冲撞和敲击。不可以侧压锯片。不可以加工变形的工件。工件必须有一道笔直的边，这样才能够紧靠在挡轨上。

如果工件又长又重，必须在它悬空的末端放上衬垫或做好支撑。

检查摆动防护罩的功能是否正常，能否自由移动。向下移动机臂时，必须打开摆动防护罩。向上移动机臂时，必须关闭锯片上方的摆动防护罩并卡在机臂最上方的位置。

仅锯切已批准使用的材料。

标记锯切线 (参见插图M)

两道激光为您标示了锯片的锯割宽度。这样您可以准确地放置好即将锯切的工件，而无需打开摆动防护罩。

- 利用开关(59)接通激光束。
- 工件上的记号要画在两道激光线之间。

提示：锯切前请检查显示的锯切线是否正确。在密集使用机器之后，激光可能会因为震动而出现偏差。

操作者的位置 (参见插图N)

- ▶ 不要和电动工具前的锯片站在一条线上，而是要站在锯片的侧面。这样可以避免工具回跳而伤到身体。
- 手掌、手指和手臂必须远离转动中的锯片。
- 不要在滑动臂(27)前交叉双手。

更换垫板 (参见插图O)

长期使用电动工具之后，红色的垫板(9)会磨损。更换损坏的垫板。

- 将电动工具调整在工作位置上。
- 用内六角扳手 (4毫米) (16) 拧出螺栓(60)，然后取下旧垫板。
- 放上新的右侧垫板。

- 用螺栓(60)尽可能地向右拧紧垫板,使锯片在整个可能的拉动长度上不与垫板接触。
- 采取相同的步骤安装新的左侧垫板。

许可的工件尺寸

最大工件:

水平斜切角度	垂直斜切角度	高 x 宽 [毫米]	
		工件放在挡轨上	工件放在定距挡块上 (附件)
0度	0度	104 x 341	110 x 240
45度	0度	104 x 240	110 x 110
0度	45度 (左侧)	51 x 341	51 x 295
0度	45度 (右侧)	38 x 341	38 x 295
45度	45度 (左侧)	51 x 240	51 x 200
45度	45度 (右侧)	38 x 240	38 x 200

最小工件 (= 所有可以通过螺旋夹钳(18)夹紧在锯片左侧或右侧的工件): 160 x 335毫米 (长 x 宽)

最大切削深度 (0度/0度): 104毫米

锯切

▶ 锯切之前务必拧紧固定旋钮(11)和夹紧手柄(13)。否则锯片可能在工件中倾斜。

无拉动锯切 (砍锯) (参见插图P)

- 将滑动臂(27)向后推到底并将其固定在该位置。确保限深器(29)已向内压到底并通过开口调节调整螺栓(28),使滑动臂在移动时不会碰到限深器。
- 根据尺寸正确地夹紧工件。
- 必要时,请设定好需要的斜切角度(水平和/或垂直)。
- 接通电动工具的电源。
- 通过手柄(1)缓慢向下移动滑动臂(27)。
- 施力均匀地锯切工件。
- 关闭电动工具并等待,直至锯片完全停止转动。
- 慢慢地向上提起滑动臂(27)。

带拉动的锯切 (参见插图Q)

- ▶ **开机之前以及在整个锯割过程都得牢牢地握紧手柄。锯割时要控制好滑动臂。只要一时分神,便可能接触暴露在外的滑动臂进而造成伤害。**
- 解开滑动臂(27)的锁定。通过来回推拉滑动臂(27)来检查整个滑动机构是否可用。
- 根据尺寸正确地夹紧工件。
- 必要时,请设定好需要的斜切角度(水平和/或垂直)。
- 通过手柄(1)将滑动臂(27)拉离挡轨(6),直至锯片位于工件的前方。
- 接通电动工具的电源。
- 通过手柄(1)缓慢向下移动滑动臂(27)。
- 现在把滑动臂(27)推向挡轨(6)方向,然后施力均匀地锯切工件。
- 关闭电动工具并等待,直至锯片完全停止转动。
- 慢慢地向上提起滑动臂(27)。

锯切等长的工件 (参见插图R)

简单锯切等长工件时,可以使用长度限制器(35)(附件)。

- 可以将长度限制器安装在锯台延长件(7)的两侧。
- 松开锁定螺栓(34),通过夹紧螺栓(61)合起长度挡块(35)。
- 重新拧紧锁定螺栓(34)。
- 将锯台延长件(7)调整到所需的长度。

调整限深器 (切槽) (参见插图S)

- 锯切凹槽或使用定距挡块时则必须调整限深器。
- 向外翻出限深器(29)。
- 通过手柄(1)将滑动臂(27)摆动到所需的位置。
- 转动调整螺栓(28),直至螺栓末端接触到限深器(29)。
- 慢慢地向上提起滑动臂(27)。

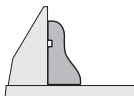
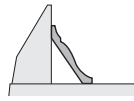
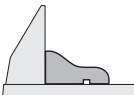
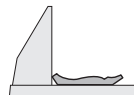
特殊工件

锯切弯曲或圆形工件时,必须特别加强固定好工作,以防工件打滑。在锯切线上,工件、挡轨和锯台之间不允许有空隙。

必要时,必须制造专用支架。

加工雕刻的木条

可以使用以下两种不同的方式加工条状型材:

工件定位	地板条	天花板条
- 靠在挡轨上		
- 平放在锯台上		

接下来可以根据条状型材的宽度,选择带或不带拉动的锯割方式。

务必先在废木上测试设定好的斜切角度(水平和/或垂直)。

检查和调整基本设定

为了确保精确的锯切，在频繁使用之后必须检查电动工具的基本设定，必要时进行适度调整。

检查时不仅要有足够的经验，而且还要使用特殊工具。

博世的客户服务中心能够快速可靠地执行这项工作。

校准激光

提示：要测试激光功能，必须将电动工具连接到电源上。

▶ **校准激光时（例如移动机臂时），千万不要按下电源开关。**无意中启动电动工具可能会造成伤害。

- 将电动工具调整在工作位置上。
- 转动锯台(37)，直至达到0度对应的标记槽(14)。必须可以感觉到杆(12)卡入标记槽中。

检查（参见插图T1）

- 在工件上画一条直线。
- 通过手柄(1)缓慢向下移动滑动臂(27)。
- 调整工件，让锯片上的锯齿靠在锯切线上。
- 握住工件让它保持在这个位置，并重新慢慢地向上提起滑动臂。
- 固定好工件。
- 利用开关(59)接通激光束。

即使在放下滑动臂时，投射在工件上锯切线两侧的激光束必须和整段锯切线等距平行。

拆下激光保护盖（参见插图T2）

- 用内六角扳手（4毫米）(16)松开激光保护盖(26)的两个螺栓(62)。

提示：为够到激光保护盖的前部螺栓，必须略微向下摆动滑动臂，直至可以通过摆动防护罩的开槽插入内六角扳手。

调整齐平度（参见插图T3）

- 拆下激光保护盖(26)。

1. 调整右侧激光束：

- 用内六角扳手(17)旋转后部调整螺栓(63)，直至右侧激光束在整个长度上与工件上标记的锯切线齐平。

同时移动左侧激光束。

逆时针方向转动会使激光束从左向右移动，顺着时钟方向转动会使激光束从右向左移动。

2. 调整左侧激光束：

- 用内六角扳手(17)旋转前部调整螺栓(63)，直至左侧激光束至工件上所标记锯切线的距离与右侧激光束至锯切线的距离相同。

逆时针方向转动会使激光束从左向右移动，顺着时钟方向转动会使激光束从右向左移动。

- 重新固定激光保护盖(26)。

调整平行度（参见插图T4）

- 拆下激光保护盖(26)。

- 用内六角扳手(17)拧松固定螺栓(64)（约1到2圈）。不要完全拧出螺栓。
- 把激光安装座向右或向左移动，让投射在工件上锯切线两侧的激光束和整段锯切线平行。

- 将激光器的安装板保持在该位置，然后再次拧紧固定螺栓(64)。

- 调整完毕后要重新检查激光是否仍然和锯切线对齐。必要时，再次使用调整螺栓(63)调整激光束。

- 重新固定激光保护盖(26)。

调整移动滑动臂时产生的侧面偏移（参见插图T5）

- 拆下激光保护盖(26)。
- 用内六角扳手(17)拧松两个固定螺栓(65)（约1至2圈）。不要完全拧出螺栓。

- 向右或向左移动激光器壳体，让激光在滑动臂向下移动时不再朝着侧面偏移。

- 调整完毕后要重新检查激光是否仍然和锯切线对齐。必要时，再次使用调整螺栓(63)调整激光束。

- 将激光器的壳体保持在该位置，然后再次拧紧固定螺栓(65)。

- 重新固定激光保护盖(26)。

将垂直标准斜切角度调到0°

- 将电动工具调整在运输位置上。
- 转动锯台(37)，直至达到0°对应的标记槽(14)。必须可以感觉到杆(12)卡入标记槽中。

检查（参见插图U1）

- 将角规调整到90°并将其放到锯台(37)上。

角规的支脚必须与锯片(39)在整个长度上齐平。

调整（参见插图U2）

- 松开夹紧手柄(13)。

- 使用套筒扳手（10毫米）拧松两个调整螺栓(66)（至少1圈）。

- 用内六角扳手（4毫米）(16)拧松调整螺栓(68)（约3圈）。

- 用内六角扳手（4毫米）(16)尽可能地拧入或拧出调整螺栓(67)，直到角规的支脚和锯片在整个长度上齐平。

- 重新拧紧夹紧手柄(13)。接着先拧紧调整螺栓(68)，然后再重新拧紧调整螺栓(66)。

如果角度指示器(32)和(20)在调整后未指向刻度尺(31)的0°标记线，请用十字螺钉刀松开固定螺栓并沿着0°标记校准角度指示器。

将垂直标准斜切角度调到45°（左侧）

- 将电动工具调整在工作位置上。

- 转动锯台(37)，直至达到0°对应的标记槽(14)。必须可以感觉到杆(12)卡入标记槽中。

- 向外完全拉出左侧活动式挡轨(5)。

- 松开夹紧手柄(13)并通过手柄(1)将滑动臂向左翻到极限位置（45°）。

检查（参见插图V1）

- 将角规调整到45°并将其放到锯台(37)上。

角规的支脚必须与锯片(39)在整个长度上齐平。

调整（参见插图V2）

- 用开口扳手（8毫米）尽可能地拧入或拧出调整螺栓(69)，直到角规的支脚和锯片在整个长度上齐平。

- 重新拧紧夹紧手柄(13)。

如果角度指示器(32)和(20)在调整后未指向刻度尺(31)的45°标记线, 首先请再次检查垂直斜切角度的0°设置和角度指示器。然后重复设定45°垂直斜切角度。

将垂直标准斜切角度调到45° (右侧)

- 将电动工具调整在工作位置上。
- 转动锯台(37), 直至达到0°对应的标记槽(14)。必须可以感觉到杆(12)卡入标记槽中。
- 向外完全拉出右侧活动式挡轨(5)。
- 松开夹紧手柄(13)。
- 通过手柄(1)使滑动臂离开0°位置略微向左倾斜, 转动旋钮(38), 直至显示右侧垂直斜切角度范围。
- 通过手柄(1)将滑动臂向右翻到极限位置(45°)。

检查 (参见插图W1)

- 将角规调整到135°并将其放到锯台(37)上。角规的支脚必须与锯片(39)在整个长度上齐平。

调整 (参见插图W2)

- 用开口扳手 (8毫米) 尽可能地拧入或拧出调整螺栓(70), 直到角规的支脚和锯片在整个长度上齐平。
- 重新拧紧夹紧手柄(13)。

如果角度指示器(32)和(20)在调整后未指向刻度尺(31)的45°标记线, 首先请再次检查垂直斜切角度的0°设置和角度指示器。然后重复设定45°垂直斜切角度。

对准水平斜切角度的刻度尺

- 将电动工具调整在工作位置上。
- 转动锯台(37), 直至达到0°对应的标记槽(14)。必须可以感觉到杆(12)卡入标记槽中。

检查 (参见插图X1)

- 将角规调节到90°并在锯台(37)上将其放到挡轨(6)和锯片(39)之间。

角规的支脚必须与锯片(39)在整个长度上齐平。

调整 (参见插图X2)

- 用内六角扳手 (4毫米) (16)松开所有四个调整螺栓(71), 转动锯台(37)和刻度尺(36), 直至角规的支脚和锯片在整个长度上齐平。
- 重新拧紧螺栓。

如果角度指示器(57)在调整后未指向刻度尺(36)的0度标记线, 请用十字螺钉刀松开螺栓(72)并沿着0度标记校准角度指示器。

调整夹紧手柄(13)的夹紧力 (参见插图Y)

夹紧手柄(13)的夹紧力可以重新调节。

检查

- 不管是设定在哪一个垂直的斜切角度上, 固定提杆的夹紧力必须能够紧紧地固定好滑动臂。

调整

- 松开夹紧手柄(13)。
- 用套筒扳手 (17毫米) 逆时针转动调整螺栓(73)可降低夹紧力, 顺时针转动则提高夹紧力。

- 调整垂直斜切角度, 再次拧紧夹紧手柄(13)并检查是否已达到所需的夹紧力。

运输 (参见插图Z)

运输电动工具之前必须先执行以下各步骤:

- 将滑动臂(27)向后推到底并将其固定在该位置。
 - 确保限深器(29)已向内压到底并通过开口调节调整螺栓(28), 使滑动臂在移动时不会碰到限深器。
 - 尽可能地向下移动滑动臂, 直至将运输固定装置(30)能向内压到底。
 - 将锯台延长件(7)向内推到底。
 - 将垂直斜切角度调整到0度并拧紧夹紧手柄(13)。
 - 将锯台(37)旋转至极限位置并拧紧固定旋钮(11)。
 - 用魔术贴固定带(74)将电源线绑在一起。
 - 拆除所有无法固定安装在电动工具上的附件。
 - 运输时必须尽可能把不使用的锯片放置在封闭的盒子中。
 - 运输时, 请握住锯台侧面的握柄槽(15)。
- ▶ 运输电动工具时只能使用运输装置, 不要使用防护装置、滑动臂或手柄。

维修和服务

保养和清洁

- ▶ 在电动工具上进行所有操作之前都必须从插座上拔出电源插头。
- ▶ 电动工具和通气孔必须随时保持清洁, 以确保工作效率和工作安全。

如果必须更换连接线, 务必把这项工作交给Bosch或者经授权的Bosch电动工具顾客服务执行, 以避免危害机器的安全性能。

摆动防护罩必须能够无阻地来回摆动, 并且要能够自动关闭, 所以防护罩的四周必须随时保持清洁。

- 在每次操作后用刷子去除粉尘和碎屑。
- 定期清洁滑轮(19)和滑动臂(27)。

附件

	物品代码
螺旋夹钳	1 609 B06 203
垫板	1 609 B04 470
集尘袋	1 609 B05 010
吸尘适配接头	2 607 001 977
工作台GTA 2500 W	0 601 B12 100
工作台GTA 3800	0 601 B24 000
木屑吸尘器GAS 35 M AFC	0 601 9C3 100
用于木材和板材、装饰板和木条的锯片	
锯片, 305 x 25.4毫米, 60齿	2 608 640 914
用于塑料和非铁金属的锯片	
锯片, 305 x 25.4毫米, 96齿	2 608 642 205

物品代碼

鋸片, 305 x 25.4毫米, 96齒 2 608 642 206

客戶服務和應用諮詢

本公司顧客服務處負責回答有關本公司產品的修理、維護和備件的問題。備件的展開圖紙和信息也可查看：www.bosch-pt.com
 博世應用諮詢團隊樂於就我們的產品及其附件問題提供幫助。

詢問和訂購備件時，務必提供機器銘牌上標示的10位數物品代碼。

香港和澳門特別行政區

羅伯特博世有限公司
 香港北角英皇道625號, 21樓
 客戶服務熱線: +852 2101 0235
 電子郵件: info@hk.bosch.com
www.bosch-pt.com.hk

中國大陸

博世電動工具(中國)有限公司
 中國 浙江省 杭州市
 濱江區 濱康路567號
 102/1F 服務中心
 郵政編碼: 310052
 電話: (0571)8887 5566 / 5588
 傳真: (0571)8887 6688 x 5566# / 5588#
 電郵: bsc.hz@cn.bosch.com
www.bosch-pt.com.cn

製造商地址:

Robert Bosch Power Tools GmbH
 羅伯特·博世電動工具有限公司
 70538 Stuttgart / GERMANY
 70538 斯圖加特 / 德國

處理廢棄物

必須以符合環保要求的方式回收再利用電動工具、附件和包裝材料。



請勿將電動工具扔到生活垃圾中!

繁體中文

安全注意事項

電動工具通用安全警告

⚠ 警告

請詳讀工作臺及電動工具的所有安全警告與使用說明。若不

遵照以下列出的指示，將可能導致電擊、著火和/或人員重傷。

保存所有警告和說明書以備查閱。

在所有警告中，「電動工具」此一名詞泛指：以市電驅動的（有線）電動工具或是以電池驅動的（無線）電動工具。

工作場地的安全

- ▶ 保持工作場地清潔和明亮。混亂和黑暗的場地會引發事故。
- ▶ 不要在易爆環境，如有易燃液體、氣體或粉塵的環境下操作電動工具。電動工具產生的火花會點燃粉塵或氣體。
- ▶ 讓兒童和旁觀者離開後操作電動工具。注意力不集中會使您失去對工具的控制。

電氣安全

- ▶ 電動工具插頭必須與插座相配。絕不能以任何方式改裝插頭。需接地的電動工具不能使用任何轉換插頭。未經改裝的插頭和相配的插座將減少電擊危險。
- ▶ 避免人體接觸接地表面，如管道、散熱片和冰箱。如果您身體接地會增加電擊危險。
- ▶ 不得將電動工具暴露在雨中或潮濕環境中。水進入電動工具將增加電擊危險。
- ▶ 不得濫用電線。絕不能用電線搬運、拉動電動工具或拔出其插頭。使電線遠離熱源、油、銳利邊緣或移動零件。受損或纏繞的軟線會增加電擊危險。
- ▶ 當在戶外使用電動工具時，使用適合戶外使用的延長線。適合戶外使用的軟線，將減少電擊危險。
- ▶ 如果在潮濕環境下操作電動工具是不可避免的，應使用剩餘電流動作保護器（RCD）。使用RCD可降低電擊危險。

人身安全

- ▶ 保持警覺，當操作電動工具時關注所從事的操作並保持清醒。當您感到疲倦，或在有藥物、酒精或治療反應時，不要操作電動工具。在操作電動工具時瞬間的疏忽會導致嚴重人身傷害。
- ▶ 使用個人防護裝置。始終佩戴護目鏡。安全裝置，諸如適當條件下使用防塵面具、防滑安全鞋、安全帽、聽力防護等裝置能減少人身傷害。
- ▶ 防止意外起動。確保開關在連接電源和/或電池盒、拿起或搬運工具時處於關閉位置。手指放在已接通電源的開關上或開關處於接通時插入插頭可能會導致危險。
- ▶ 在電動工具接通之前，拿掉所有調節鑰匙或扳手。遺留在電動工具旋轉零件上的扳手或鑰匙會導致人身傷害。
- ▶ 手不要伸展得太長。時刻注意立足點和身體平衡。這樣在意外情況下能很好地控制電動工具。
- ▶ 著裝適當。不要穿寬鬆衣服或佩戴飾品。讓您的衣物及頭髮遠離運動部件。寬鬆衣服、佩飾或長髮可能會捲入運動部件中。
- ▶ 如果提供了與排屑、集塵設備連接用的裝置，要確保他們連接完好且使用得當。使用這些裝置可減少塵屑引起的危險。

- ▶ 切勿因經常使用工具所累積的熟練感而過度自信，輕忽工具的安全守則。任何一個魯莽的舉動都可能瞬間造成人員重傷。

電動工具使用和注意事項

- ▶ 不要濫用電動工具，根據用途使用適當的電動工具。選用適當設計的電動工具會使您工作更有效、更安全。
- ▶ 如果開關不能開啟或關閉工具電源，則不能使用該電動工具。不能用開關來控制的電動工具是危險的且必須進行修理。
- ▶ 在進行任何調整、更換配件或貯存電動工具之前，必須從電源上拔掉插頭並/或取出電池盒。這種防護性措施將減少工具意外起動的危險。
- ▶ 將閒置不用的電動工具貯存在兒童所及範圍之外，並且不要讓不熟悉電動工具或對這些說明不瞭解的人操作電動工具。電動工具在未經培訓的用戶手中是危險的。
- ▶ 保養電動工具與配備。檢查運動件是否調整到位或卡住，檢查零件破損情況和影響電動工具運行的其他狀況。如有損壞，電動工具應在使用前修理好。許多事故由維護不良的電動工具引發。
- ▶ 保持切削刀具鋒利和清潔。保養良好的有鋒利切削刀的刀具不易卡住而且容易控制。
- ▶ 按照使用說明書，考慮作業條件和進行的作業來使用電動工具、配件和工具的工具頭等。將電動工具用於那些與其用途不符的操作可能會導致危險。
- ▶ 把手及握持區應保持乾燥、潔淨，且不得沾染任何油液或油脂。易滑脫的把手及握持區將無法讓您在發生意外狀況時安全地抓緊並控制工具。

檢修

- ▶ 將您的電動工具送交專業維修人員，必須使用同樣的備件進行更換。這樣將確保所維修的電動工具的安全性。

角度切斷機的安全警告

- ▶ 角度切斷機主要用於切割木材或質地相似之產品，無法搭配切割砂輪用於切割金屬類材料，如鋼筋、金屬桿、螺栓等。砂磨粉塵會使運動元件（例如下擋板）卡住。砂輪切割產生的火花會燒到下擋板、墊片與其他塑料零件。
- ▶ 請盡量利用夾具固定加工件。若用手握持加工件，手與鋸片兩側應保持至少100 mm的距離。請勿用此鋸片切割過小而無法固定或需用手握持的工件。若您用手靠近鋸片，會增加因接觸鋸片而受傷的風險。
- ▶ 加工件需保持固定，並使用圍欄與工作台進行固定。請勿將加工件朝鋸片方向送入或「徒手」進行切割。未固定或移動的加工件可能高速拋出而造成人員受傷。
- ▶ 請推動鋸片通過加工件。切勿拉動鋸片通過加工件。切割時，請將鋸頭升高並拉出而不要與加工件接觸，接著將鋸頭下壓再推動鋸片通過加工件。以拉動方式進行切割會造成鋸片移至加工件上，而使鋸片組件突然射向操作員。
- ▶ 請勿將手穿過鋸片切割路線的上方。以「雙手交叉」的方式握持加工件，例如以左手將加工件握在鋸片右側（反之亦然），是非常危險的。
- ▶ 當鋸片仍在轉動時，不論是為了取下剩餘的木材或任何原因，請勿將雙手伸過圍欄靠近鋸片至100 mm以內。您的手可能因不慎靠近轉動的鋸片而造成嚴重的傷害。
- ▶ 在切割前請先檢視您的加工件。若加工件呈現弓形或有彎曲，在固定時請將彎曲面的凸緣朝向圍欄。請隨時讓加工件、圍欄與工作台在切割線上保持切齊。變形或彎曲的加工件可能會扭曲或偏移而在切割時卡到轉動的鋸片。在加工件中不可有釘子等外物。
- ▶ 在使用鋸片前請先將工作台上的工具、木屑等淨空，僅留下加工件。小型碎屑、鬆脫的木材或其他物件如接觸到轉動之鋸片可能會高速射出。
- ▶ 一次只切割一片加工件。將多個加工件疊起來不易固定或支撐，故可能會在切割時卡住鋸片或偏移。
- ▶ 使用前請確實將角度切斷機安裝或放置在水平、堅固的工作面上。水平且堅固的工作面可降低使角度切斷機不穩定的風險。
- ▶ 作業前請先做規劃。每次變動傾斜或斜角的設定時，請記得調整圍欄使其能正確支撐加工件且不會影響到防護系統。當機具未「開啟」且工作台上無加工件的情況下，先模擬移動鋸片以確認其不會受到任何影響或有切割到圍欄的風險。
- ▶ 遇到較工作台更長或更寬的加工件時，請用工作台延伸裝置、鋸木架等協助固定。若未確實固定超出角度切斷機的加工件，則加工件可能會翻倒。若切斷的物品或加工件翻倒，可能會使下擋板翻起或物品被轉動的鋸片射出。
- ▶ 請勿讓其他人員擔任工作台延伸裝置或額外支撐物的角色。未固定加工件在切割時會造成刀片卡住或使加工件移動而使您與助手偏向鋸片。
- ▶ 切除的物件不可卡住或靠近轉動的鋸片。若加以限制（如使用長度擋片），切除的物件可能會接觸到鋸片而突然射出。
- ▶ 請隨時利用固定裝置或夾具將圓形材料如桿子、管子等妥善固定。桿子在切割時容易滾動，使鋸片卡住而將加工件連同您的手一起「捲入」鋸片中。
- ▶ 在讓鋸片接觸加工件時，請先讓刀片達到全速運轉的狀態。如此可降低加工件射出的風險。
- ▶ 若加工件或鋸片卡住，請將角度切斷機關閉。請等候移動零件停止再將插頭從電源拔掉及/或取出電池組。接著再設法清除卡住的材料。在加工件卡住的狀態下繼續鋸切會造成失控或角度切斷機損壞。
- ▶ 在切割完畢後，請鬆開開關、保持鋸頭朝下等候鋸片停止，然後再取下切開的加工件。用手靠近急轉的鋸片非常危險。
- ▶ 當切割不完整或在鋸頭未完全處於下方位置時鬆開開關，請握緊握把。鋸片的煞車動作會造成鋸頭突然下拉而有受傷的風險。

- ▶ **小心** - 若是使用非此處指明的操作設備或校正設備，或是未遵照說明的操作方式，可能使您暴露於危險的雷射光照射環境之下。
- ▶ **不可以使用其他類型的雷射替代機器中的雷射。** 若是安裝了不適合電動工具的雷射，可能危及人員安全。
- ▶ **請勿對本雷射裝備進行任何改造。** 您可以放心使用本操作說明書中所述及的設定方法。



請勿將雷射光束對準人員或動物，您本人亦不可直視雷射光束或使雷射光束反射。因為這樣做可能會對他人眼睛產生眩光，進而引發意外事故或使眼睛受到傷害。

符號

以下符號可以幫助您正確地使用本電動工具。請牢記各符號和它們的代表意義。正確了解各符號代表的意義，可以幫助您更有把握更安全地操作本電動工具。

符號和它們的代表意義

	雷射等級 1
	當電動工具運轉時，切勿把手伸進鋸切範圍內。手若觸碰鋸片有被割傷的危險。
	請佩戴防塵面罩。
	請佩戴護目鏡。
	請佩戴耳罩。工作噪音會損壞聽力。
	危險範圍！手掌、手臂和手指頭必須儘可能遠離此範圍。
	手指頭不可以伸入滑動臂的活動零件中。手指頭可能被捲入零件並造成嚴重傷害。

符號和它們的代表意義



請留心鋸片的尺寸。鋸片上的孔直徑必須和工具主軸完全吻合，不能有空隙。如果必須使用異徑管，則應注意：異徑管尺寸必須與刀片厚度、鋸片內孔直徑以及工具主軸直徑相配。請儘可能使用鋸片隨附的異徑管。

鋸片直徑必須與符號上的數值相符。



搬運電動工具時只能握在專門為搬運而設置的指定位置上（把手槽）或握在搬運把手上。



切勿從滑動臂的把手處提起電動工具。



啟動雷射



擰緊杆被打開：

可以調整垂直的斜鋸角。

擰緊杆被關閉：

保持調整好的垂直方向斜鋸角。



指示調整垂直方向斜鋸角的各個步驟。

1. 鬆開緊握把

2. 將滑動臂略微往左翻轉

3. 利用旋鈕調整所需的垂直斜鋸角範圍



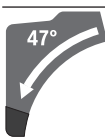
利用旋鈕調整垂直斜鋸角範圍：



鋸片向左傾斜 (45° ... 0°)



鋸片向右傾斜 (0° ... 45°)



滑動臂的整個翻轉範圍 (-47° ... +47°)

產品和功率描述



請詳讀所有安全注意事項與指示。如未遵守安全注意事項與指示，可能導致火災、人員遭受電擊及/或重傷。

請留意操作說明書中最前面的圖示。

依規定使用機器

本電動工具適合以站立的方式，在木材上進行縱向和橫向的直線鋸切。此時可加工的水平斜鋸角為 -52° 至 $+60^{\circ}$ ，可加工的垂直斜鋸角為（左側） 47° 至（右側） 47° 。

本電動工具的功率適合鋸切硬木和軟木，以及塑合板與纖維板。

安裝合適的鋸片後，也可以鋸切鋁製型材和塑膠。

插圖上的機件

機件的編號和電動工具詳解圖上的編號一致。

- (1) 把手
- (2) 起停開關的作動安全鎖
- (3) 防護罩
- (4) 活動防護罩
- (5) 可調式止動滑軌
- (6) 止動滑軌
- (7) 鋸台延長件
- (8) 安裝孔
- (9) 嵌補板
- (10) 止動夾
- (11) 偏好斜鋸角的鎖定旋鈕（水平）
- (12) 斜鋸角設定扳片（水平）
- (13) 偏好斜鋸角的緊固握把（垂直）
- (14) 基本斜鋸角的刻槽（水平）
- (15) 把手凹槽
- (16) 內六角扳手（6 mm/4 mm）
- (17) 內六角扳手（2 mm）
- (18) 活動夾鉗
- (19) 滑輪
- (20) 右側斜鋸角範圍的角度指示器（ 0° 至 47° ）（垂直）
- (21) 導屑器
- (22) 出屑口
- (23) 吸塵轉接頭
- (24) 滑動機構的夾緊桿
- (25) 雷射警示牌
- (26) 雷射保護蓋
- (27) 滑動臂
- (28) 限深擋塊的校正螺栓
- (29) 限深擋塊
- (30) 搬運固定裝置
- (31) 斜鋸角刻度尺（垂直）
- (32) 左側斜鋸角範圍的角度指示器（ 47° 至 0° ）（垂直）
- (33) 22.5° 斜鋸角調整鈕（垂直）
- (34) 長度擋塊的鎖定螺栓^{A)}
- (35) 長度擋塊^{A)}
- (36) 斜鋸角刻度尺（水平）
- (37) 鋸台
- (38) 斜鋸角範圍調整旋鈕（垂直）
- (39) 鋸片
- (40) 雷射光束射出口
- (41) 活動防護罩支撐桿的鎖定螺栓
- (42) 活動防護罩支撐桿
- (43) 前方固定螺栓（遮板/活動防護罩）
- (44) 後方固定螺栓（遮板/活動防護罩）
- (45) 遮板
- (46) 主軸鎖
- (47) 固定鋸片的內六角螺栓
- (48) 緊固法蘭
- (49) 內側緊固法蘭
- (50) 鋸台延長件的夾緊桿
- (51) 可調式止動滑軌的鎖定螺栓
- (52) 減震器
- (53) 減震功能的調整螺栓
- (54) 活動夾鉗安裝孔
- (55) 蝶翼螺栓
- (56) 螺桿
- (57) 斜鋸角的角度指示器（水平）
- (58) 起停開關
- (59) 雷射起停開關（標示鋸線）
- (60) 嵌補板的固定螺栓
- (61) 長度擋塊的止付螺栓^{A)}
- (62) 雷射保護蓋的固定螺栓
- (63) 雷射定位的調整螺栓（對齊）
- (64) 雷射安裝板的固定螺栓
- (65) 雷射外殼的固定螺栓
- (66) 0° 基本設定的調整螺栓（垂直斜鋸角）
- (67) /
- (68) /
- (69) 45° 基本設定的調整螺栓（左側垂直斜鋸角）
- (70) 45° 基本設定的調整螺栓（右側垂直斜鋸角）
- (71) 斜鋸角刻度尺的調整螺栓（水平）
- (72) 角度指示器的固定螺栓（水平）
- (73) 用以設定任意斜鋸角之緊固握把的夾力調整螺栓（垂直）

(74) 魔鬼氈帶

A) 圖表或說明上提到的配件，並不包含在基本的供貨範圍中。本公司的配件清單中有完整的配件供應項目。

技術性數據

斜斷鋸		GCM 12 GDL	GCM 12 GDL
產品機號		3 601 M23 641 3 601 M23 6L1	3 601 M23 6B1 3 601 M23 681 3 601 M23 6K1
額定輸入功率	W	2000	1800
額定電壓	V	230-240	220-230
頻率	Hz	50	50/60
無負載轉速	次 / 分	4000	4000
起動限流器		●	●
雷射種類	nm	650	650
	mW	< 1	< 1
雷射等級		1	1
重量符合 EPTA-Procedure 01:2014	kg	32.1	32.1
絕緣等級		□/II	□/II
適用鋸片的尺寸			
鋸片直徑	mm	305	305
鋸片主體的厚度	mm	1.7-2.6	1.7-2.6
最大鋸切寬度	mm	3.2	3.2
孔徑	mm	25.4	25.4

容許的工件尺寸(參見「容許的工件尺寸」, 頁 50)

安裝

- ▶ 請避免意外啟動電動工具。安裝時以及進行電動工具的維護修理工作時，機器的插頭都不可以插在插座中。

供貨範圍



對此，請您留意操作說明書開頭處的供貨範圍說明。

初次使用本電動工具之前，先檢查以下各部件是否包含在供貨範圍中：

- 已安裝鋸片的斜斷鋸 (39)
- 鎖定旋鈕 (11)
- 內六角扳手 (16)
- 內六角扳手 (17)
- 夾鉗 (18)

提示：檢查電動工具是否有壞損之處。

使用電動工具之前，必須仔細檢查防護裝置或輕微損壞的零件是否仍然運作正常。檢查活動零件是否功能正常、沒有被卡死，以及是否有任何零件有否受損。所有零件都必須安裝正確，並且符合規定以確保機器能夠正常運作。

損壞的防護裝置和零件必須按照規定交給合格的專業修理廠修理或更換。

除了供貨範圍中的部件之外，您還須使用以下的工具：

- 十字螺栓起子
- 開口扳手 (尺寸：8 mm)
- 環形扳手、開口扳手或套筒扳手 (尺寸：10 mm 和 17 mm)

安裝各部件

- 小心地從包裝中取出所有隨附零件。
- 拆除電動工具和隨附配件上的所有包裝材料。

安裝鎖定旋鈕 (請參考圖 a)

- 將鎖定旋鈕 (11) 旋入撥桿 (12) 上方的對應孔內。

▶ 鋸切之前務必旋緊鎖定旋鈕 (11)。否則鋸片可能在工件中傾斜。

固定安裝方式或活動安裝方式

- ▶ 為了能夠穩定地操作機器，正式使用機器之前，必須把電動工具固定在平坦、穩固的工作平面上 (例如工作桌)。

安裝在工作平面上 (請參考圖 b1)

- 使用合適的夾鉗把電動工具固定在工作平面上。必須利用安裝孔 (8) 來進行固定。

或

- 也可以使用一般市售活動夾鉗，夾住電動工具的支撐腳以便將它固定在工作平面上。

安裝在博世工作台上 (請參考圖 b2)**(GTA 2500 W, GTA 3700, GTA 3800)**

博世的 GTA 工作桌擁有可調整高度的桌腳，使電動工具能夠穩固站立在任何底座上。工作桌的工件托架可以支撐較長工件。

- ▶ **請詳讀工作桌附帶的所有警告指示和說明。**若未遵循警告指示和說明可能遭受電擊、發生火災並／或造成嚴重傷害。
- ▶ **安裝電動工具之前必須先正確地組裝工作桌。**重點是要正確地組裝工作桌，如此可以避免工作桌倒塌。
- 把電動工具調整至搬運位置並將其安裝在工作台上。

吸除廢塵／料屑

含鉛顏料、部分木材種類、礦石和金屬的加工廢塵有害健康。機器操作者或施工現場附近的人員如果接觸、吸入這些廢塵，可能會引發過敏反應或感染呼吸道疾病。

某些塵埃 (例如加工橡木或山毛櫸的廢塵) 可能致癌，特別是與處理木材的添加劑 (例如木材的防腐劑等) 結合之後。唯有受過專業訓練的人才能夠進行含石棉物料的加工。

- 儘可能使用適合物料的吸塵裝置。
- 工作場所要保持空氣流通。
- 建議佩戴 P2 過濾等級的口罩。

請留意並遵守貴國的物料加工相關法規。

- ▶ **避免讓工作場所堆積過多的塵垢。**塵埃容易被點燃。

廢塵／料屑吸集裝置可能被廢塵、廢屑或工件殘屑堵塞。

- 關閉電動工具，並且從插座中拔出插頭。
- 請您稍候，讓鋸片完全停止轉動。
- 找出造成堵塞的原因，並排除障礙。

外接其他吸塵裝置

若要吸塵，您也可在吸塵轉接頭 (23) 接上吸塵器軟管 (直徑 35 mm)。

- 將吸塵器軟管連接至吸塵轉接頭 (23)。

根據工件材質選擇合適的吸塵器。

吸集可能危害健康、可能致癌或乾燥的廢塵時，務必使用特殊吸塵器。

清潔吸塵轉接頭

必須定期清潔吸塵轉接頭 (23)，以確保最佳吸塵效果。

- 以旋轉方式將吸塵轉接頭 (23) 從出屑口 (22) 上拔下。

- 清除工件的碎塊和鋸屑。
- 再度把吸塵轉接頭旋入出屑口中，要讓轉接頭越過出屑口的支撐環並正確地卡牢。

更換鋸片 (請參考圖 c1-c4)

- ▶ **維修電動工具或換裝零、配件之前，務必從插座上拔出插頭。**
- ▶ **安裝鋸片時務必穿戴防護手套。**碰觸到鋸片可能被割傷。

所使用的鋸片其最高容許轉速必須高於電動工具的無負載轉速。

根據本說明書中提出的特性參數選擇合適的鋸片。必須選用通過 EN 847-1 認證並具有認證標示的鋸片。

只能使用本電動工具製造商所推薦的鋸片，以及加工物料適用的鋸片。唯有這樣做才能避免鋸切時發生鋸齒過熱的情形。

拆卸鋸片

- 把電動工具調整至工作位置。
- 徒手將鎖定螺栓 (41) 旋上，但是讓支撐桿 (42) 還能自然垂下。
- 用內六角扳手 (mm) (16) 鬆開固定螺栓 (43) (約 2 圈)。
不要完全旋出該螺栓。
- 用內六角扳手 (mm) (16) 鬆開固定螺栓 (44) (約 6 圈)。不要完全旋出該螺栓。
- 將遮板 (45) 前後來回拉扯，從固定螺栓 (44) 上拔開。
- 將活動防護罩 (4) 往後翻轉，然後讓它保持在這個位置上。
- 將支撐桿 (42) 的圓孔掛至固定螺栓 (44) 上。這樣便可以讓活動防護罩保持在開啟位置。
- 用內六角扳手 (mm) (16) 旋轉內六角螺栓 (47) 並同時按壓主軸鎖 (46)，讓它卡緊。
- 按壓主軸鎖 (46) 不要放開，並沿順時針方向將內六角螺栓 (47) 旋出 (左旋螺紋!)。
- 取下緊固法蘭 (48)。
- 取出鋸片 (39)。

安裝鋸片

- ▶ **安裝時請注意，鋸齒的鋸切方向 (即鋸片上的箭頭指示方向) 必須與防護罩上的箭頭指示方向一致!**

必要時，請在安裝前清潔所有零部件。

- 將新鋸片裝到內側緊固法蘭 (49)。
- 裝上緊固法蘭 (48) 和內六角螺栓 (47)。按壓主軸鎖 (46)，直到其卡緊，接著再沿逆時針方向旋緊內六角螺栓。
- 從固定螺栓 (44) 鬆開支撐桿 (42) 然後將活動防護罩 (4) 重新往下拉。
- 將遮板 (45) 重新推至固定螺栓 (44) 底下。
- 重新旋緊固定螺栓 (44) 和 (43)。
- 將支撐桿 (42) 推至原來位置上，然後徒手重新旋緊鎖定螺栓 (41)。

操作

- ▶ 維修電動工具或換裝零、配件之前，務必從插座上拔出插頭。

搬運固定裝置 (請參考圖 A)

搬運固定裝置 (30) 可讓您輕鬆將電動工具搬運至不同工作地點。

解開電動工具的鎖定 (工作位置)

- 從把手 (1) 處將滑動臂 (27) 略微往下按壓，以便將搬運固定裝置 (30) 鬆開。
- 將搬運固定裝置 (30) 拉至最外側。
- 慢慢地向上提起滑動臂 (27)。

鎖定電動工具 (搬運位置)

- 將滑動臂 (27) 推到最後面，然後將它固定在這個位置上。
- 將滑動臂往下拉至，搬運固定裝置 (30) 能夠推至最內側的程度。

進一步提示：(參見「搬運 (請參考圖 Z)」，頁 53)

鎖定滑動臂

滑動臂 (27) 的滑動機構可透過夾緊桿 (24) 鎖定。滑動臂可以固定在兩個位置：

- 將滑動臂推到最後面時 (適用於鋸斷)
- 將滑動臂拉至最前面時 (適用於收攏的搬運位置)

解開滑動臂的鎖定 (請參考圖 B1)

滑動臂 (27) 解開鎖定後，滑動機構即可全面使用。

- 將夾緊桿 (24) 往下按壓到底。

鋸切水平及/或垂直斜鋸角時，必須依照鋸切方向將左側或右側的活動式止動滑軌 (5) 往外拉或整個拆除。

垂直斜鋸角	水平斜鋸角	
0°-47° (左側)	≤ 44° (右側/左側)	- 鬆開鎖定螺栓 (51)。 - 將左側活動式止動滑軌 (5) 拉至最外側。
0°-47° (左側)	≥ 45° (右側/左側)	- 鬆開鎖定螺栓 (51)。 - 將左側活動式止動滑軌 (5) 拉至最外側。 - 將活動式止動滑軌往上提起。 - 拆除鎖定螺栓 (51)。
0°-47° (右側)	≤ 44° (右側/左側)	- 鬆開鎖定螺栓 (51)。 - 將右側活動式止動滑軌 (5) 拉至最外側。 - 將活動式止動滑軌往上提起。
0°-47° (右側)	≥ 45° (右側/左側)	- 鬆開鎖定螺栓 (51)。 - 將右側活動式止動滑軌 (5) 拉至最外側。 - 將活動式止動滑軌往上提起。

調整滑動臂的減震功能 (請參考圖 F)

滑動臂的滑動機構 (27) 出廠前已進行預調，電動工具出貨時並無減震功能。

您可從減震器 (52) 自行調整滑動機構的減震性能：

- 硬 - 穩定地操作；
- 軟 - 快速地鋸切。

- 此時夾緊桿的夾緊楔便會放開滑動臂的兩個下方關節部位。

鎖定滑動臂 (請參考圖 B2)

滑動臂推到最後面：

- 將滑動臂 (27) 往後推到底。
- 此時滑動臂的兩個上方關節部位會豎立起來並且閉合。
- 將夾緊桿 (24) 往上拉起，直到夾緊楔位於滑動臂的兩個下方關節部位之間。
- 已推到最後面的滑動臂 (27) 將因此鎖定無法再移動。

滑動臂推到最前面：

- 將滑動臂 (27) 往前拉到底。
- 此時滑動機構會完全移出。
- 將夾緊桿 (24) 往上拉起，直到夾緊楔位於滑動臂的兩個下方關節部位之間。
- 已拉至最前面的滑動臂 (27) 將因此鎖定無法再移動。

正式運作前的準備工作

延長鋸台 (請參考圖 C)

長型工件的末端不可以懸空，必須做好支撐。

鋸台可藉助鋸台延長件 (7) 往左及往右延伸。

- 把夾緊桿 (50) 向內推。
- 將鋸台延長件 (7) 往外拉至所需長度 (全長 250 mm)。
- 若要固定鋸台延長件，請將夾緊桿 (50) 重新往外推即可。

移動止動滑軌 (請參考圖 D-E)

- 用內六角扳手 (mm) (16) 鬆開兩顆調整螺栓 (53)，即可調軟減震性能
- 或
- 將兩顆調整螺栓 (53) 鎖得更緊，即可調硬減震性能。

固定工件 (請參考圖 G)

為了確保工作安全，請務必固定好工件。
不可以加工太小而無法固定的工件。

- 將工件往止動滑軌 (6) 和 (5) 壓緊固定。
- 將隨附的活動夾鉗 (18) 插進任一專為其設置的孔洞 (54)。
- 鬆開蝶翼螺栓 並配合工件調整活動夾鉗。重新鎖緊蝶翼螺栓。
- 將螺桿 (56) 牢牢旋緊，以便固定工件。

放鬆工件

- 請逆時針旋轉螺桿 (56) 即可鬆開活動夾鉗。

設定水平與垂直斜鋸角**▶ 維修電動工具或換裝零、配件之前，務必從插座上拔出插頭。**

為確保精準鋸切，頻繁使用之後必須檢查電動工具的基本設定，必要時須適度調整。

檢查時不但要具備足夠的經驗，而且得使用特殊工具。

博世客戶服務中心能夠既快速又可靠地執行這項工作。

▶ 鋸切之前務必旋緊鎖定旋鈕 (11)。否則鋸片可能在工件中傾斜。**調整水平斜鋸角****設定水平方向的基本斜鋸角 (請參考圖 H)**

鋸台上設有刻槽 (14)，讓您能夠快速而精準地調整至經常使用的水平斜鋸角：

左	右
0°	
45° ; 31.6° ; 22.5° ; 15° ; 22.5° ; 31.6° ; 45° ; 15°	60°

- 鎖定旋鈕 (11) 若已鎖上，請將它鬆開。
- 拉起撥桿 (12) 然後將鋸台 (37) 往左或往右旋轉至所需刻槽。
- 再度放開撥桿。撥桿必須正確地陷入凹槽記號中。
- 將鎖定旋鈕 (11) 重新拉緊。

設定偏好水平斜鋸角 (請參考圖 I)

水平斜鋸角的調整範圍在 52° (左側) 至 60° (右側) 之間。

- 鎖定旋鈕 (11) 若已鎖上，請將它鬆開。
- 拉起撥桿 (12) 並同時按壓止動夾 (10)，直到卡入專門為其設置的凹槽內。於是鋸台便可自由移動。
- 轉動鎖定旋鈕便可讓鋸台 (37) 向左或向右移直到角度指示器 (57) 指在所需水平斜鋸角上。
- 將鎖定旋鈕 (11) 重新旋緊。
- 若要重新鬆開撥桿 (12) (以便設定水平方向的基本斜鋸角)，請將撥桿往上拉。
此時止動夾 (10) 會彈回原來的位置，於是又可以重新將撥桿 (12) 卡入刻槽 (14) 中。

設定垂直斜鋸角

垂直斜鋸角的調整範圍在 47° (左側) 至 47° (右側) 之間。

在 0°、22.5°、45° 和 47° 等角度上設有擋塊，可讓您快速而精準地調整至經常使用的斜鋸角。

調整左側垂直斜鋸角範圍 (45° 至 0°)**L**

- 將左側活動式止動滑軌 (5) 拉至最外側。
- 鬆開緊固握把 (13)。
- 從把手 (1) 處將滑動臂 (27) 往左翻轉，直到角度指示器 (32) 指在所需垂直斜鋸角上。
- 讓滑動臂 (27) 保持在於這個位置上，然後重新旋緊緊固握把 (13)。
不管是設定在哪一個垂直斜鋸角上，緊固握把的夾緊力必須能夠緊緊地固定好滑動臂。

調整右側垂直斜鋸角範圍 (0° 至 45°) (請參考圖 J)**45°R**

- 將右側活動式止動滑軌 (5) 拉至最外側。
- 鬆開緊固握把 (13)。
- 從把手 (1) 處將滑動臂 (27) 從 0° 位置略微往左傾斜，轉動旋鈕 (38)，直到看見所需垂直斜鋸角範圍。
- 從把手 (1) 處將滑動臂 (27) 往右翻轉，直到角度指示器 (20) 指在所需斜鋸角上。
- 讓滑動臂 (27) 保持在於這個位置上，然後重新旋緊緊固握把 (13)。
不管是設定在哪一個垂直斜鋸角上，緊固握把的夾緊力必須能夠緊緊地固定好滑動臂。

設定垂直方向的 0° 基本斜鋸角

旋鈕 (38) 卡入左側垂直斜鋸角範圍，如此才能重新微調垂直方向的 0° 基本斜鋸角。

- 將滑動臂 (27) 從右側翻轉至 0° 位置上。

調整整個垂直斜鋸角範圍 (-47° 至 +47°)**47°**

- 將兩個活動式止動滑軌 (5) 拉至最外側。
- 鬆開緊固握把 (13)。
- 從把手 (1) 處將滑動臂 (27) 從 0° 位置略微往左傾斜，轉動旋鈕 (38)，直到看見所需垂直斜鋸角範圍。
- 從把手 (1) 處將滑動臂 (27) 往左或往右翻轉，直到角度指示器 (32) 或 (20) 指在所需垂直斜鋸角上。
- 讓滑動臂 (27) 保持在於這個位置上，然後重新旋緊緊固握把 (13)。
不管是設定在哪一個垂直斜鋸角上，緊固握把的夾緊力必須能夠緊緊地固定好滑動臂。

設定垂直方向的 22.5° 基本斜鋸角 (請參考圖 K)

將調整鈕 (33) 拉至最外側，然後將它旋轉 90°。接著從把手 (1) 處翻轉滑動臂 (27)，直到聽見滑動臂卡上的聲音。

操作機器

- ▶ **請注意電源電壓！** 電源的電壓必須和電動工具銘牌上標示的電壓一致。標示為 **230 V** 的電動工具亦可接上 **220 V** 電源。

啟動 (請參考圖 L)

- 若要開啟電動工具，請先將作動安全鎖 (2) 推到中間，接著再按壓起停開關 (58) 不要放開。
- 提示：**基於安全考量，無法鎖定起停開關 (58) 的位置，所以操作機器時必須持續按住此開關。

關閉

- 若要關閉，鬆開起停開關 (58) 即可。

起動電流限制裝置

電子式起動限流器，能夠適當地節制電動工具開機時的功率，因此只需要安裝 16 A 的保險絲。

提示：開機後，電動工具若馬上以最大轉速開始運轉，這代表起動電流限制裝置和防止再起動功能失靈了。電動工具必須儘快送交顧客服務處修理。

作業注意事項

一般性的鋸切指示

- ▶ 鋸切之前務必旋緊鎖定旋鈕 (11) 和緊固握把 (13)。否則鋸片可能在工件中傾斜。
- ▶ 進行任何鋸切之前，必須先確定鋸片不會接觸止動滑軌、活動夾鉗或其它的機件。必要時得拆除輔助擋塊，或者適度調整輔助擋塊。

保護鋸片，以免受遭衝擊和碰撞。不可以側壓鋸片。

不可以加工已被拉扯移位的工件。工件必須有一道筆直的邊，這樣才能夠貼靠在止動滑軌上。

如果工件又長又重，必須在它懸空的末端底下墊上襯墊或做好支撐。

容許的工件尺寸

最大工件：

水平斜鋸角	垂直斜鋸角	高度 x 寬度 [mm]	
		工件放在止動滑軌上	工件放在定距擋塊上 (配件)
0°	0°	104 x 341	110 x 240
45°	0°	104 x 240	110 x 110
0°	45° (左)	51 x 341	51 x 295
0°	45° (右)	38 x 341	38 x 295
45°	45° (左)	51 x 240	51 x 200
45°	45° (右)	38 x 240	38 x 200

最小工件 (= 所有可用隨附之夾鉗 (18) 夾在鋸片左側或右側的工件) : 160 x 335 mm (長 x 寬)

最大鋸切深度 (0°/0°) : 104 mm

鋸切

- ▶ 鋸切之前務必旋緊鎖定旋鈕 (11) 和緊固握把 (13)。否則鋸片可能在工件中傾斜。

無需拉動的鋸切 (砍鋸) (請參考圖 P)

- 將滑動臂 (27) 推到最後面，然後將它固定在這個位置上。

檢查活動防護罩的功能是否正常，移動防護罩時不會發生磨擦。將機臂往下移時，活動防護罩必須開啟。將機臂往上移時，活動防護罩必須閉合，蓋在鋸片上，並固定在機臂的最上方位置。只能鋸切符合規定的材料。

標示鋸線 (請參考圖 M)

兩道雷射光束為您顯示鋸片的鋸切寬度。這樣您可以準確地放置好即將鋸切的工件，無需打開活動防護罩。

- 請您利用開關 (59) 啟動雷射光束。
- 工件上的記號要畫在兩道雷射線之間。

提示：鋸切之前請檢查，鋸切寬度是否仍正確顯示。因為在頻繁使用機器之後，雷射光束時可能會因震動而偏移。

操作者的位置 (請參考圖 N)

- ▶ **不可以站在電動工具前而與鋸片呈一直線，所站位置應該要保持在鋸片的側面。**這樣可以保護身體避免受到反彈力道衝擊。
- 手掌、手指和手臂必須遠離轉動中的鋸片。
- 手臂不得橫放在滑動臂 (27) 前方。

汰換嵌補板 (請參考圖 O)

電動工具經長時間使用後，紅色嵌補板 (9) 可能磨損。

更換損壞的嵌補板。

- 把電動工具調整在工作位置上。
- 用內六角扳手 (4 mm) (16) 旋出螺栓 (60)，然後取出舊嵌補板。
- 裝上新的右側嵌補板。
- 用螺栓 (60) 將嵌補板儘可能將往右鎖緊，即使有任何拉扯動作，鋸片全長都不會與嵌補板有任何接觸。
- 採取相同的步驟安裝新的左側嵌補板。

請確認：限深擋塊 (29) 是否已推到最裡面且移動滑動臂時校正螺栓 (28) 不會穿過開口碰觸到限深擋塊。

- 根據尺寸固定好工件。
- 依照需求，調整好所需斜鋸角 (水平和/或垂直)。

- 啟動電動工具。
- 利用把手 (1) 緩慢地將滑動臂 (27) 往下拉。
- 鋸切工件時必須施力均勻。
- 關閉電動工具並等待鋸片完全停止轉動。
- 慢慢地向上提起滑動臂 (27)。

需拉動的鋸切 (請參考圖 Q)

- ▶ **開機之前以及在整個鋸切過程都得牢牢地握緊把手。鋸切時要控制好滑動臂。** 只要一時分神，便可能接觸曝露在外的滑動臂進而造成傷害。
- 解開滑動臂 (27) 的鎖定。
透過拉出與推回滑動臂 (27)，檢查滑動機構是否可全範圍使用。
- 根據尺寸固定好工件。
- 依照需求，調整好所需斜鋸角 (水平和/或垂直)。
- 利用把手 (1) 將滑動臂 (27) 拉離止動滑軌 (6)，直到鋸片位於工件前方。
- 啟動電動工具。
- 利用把手 (1) 緩慢地將滑動臂 (27) 往下拉。
- 現在把滑動臂 (27) 推向止動滑軌 (6)，並施力均勻地鋸切工件。
- 關閉電動工具並等待鋸片完全停止轉動。
- 慢慢地向上提起滑動臂 (27)。

鋸切等長的工件 (請參考圖 R)

為了方便鋸切等長的工件，您可以使用長度擋塊 (35) (配件)。

您可以將長度擋塊安裝在鋸台延長件 (7) 的兩側。

- 鬆開鎖定螺栓 (34) 並將長度擋塊 (35) 掀開至止付螺絲 (61) 上方。
- 將鎖定螺栓 (34) 重新旋緊。
- 將鋸台延長件 (7) 調整至所需長度。

調整限深擋塊 (鋸切凹槽) (請參考圖 S)

鋸切凹槽或使用定距擋塊時，必須調整限深擋塊。

- 將限深擋塊 (29) 往外翻轉。
- 從把手 (1) 處將滑動臂 (27) 翻轉至所需位置。
- 扭轉校正螺栓 (28)，讓螺栓末端碰觸到限深擋塊 (29)。
- 慢慢地向上提起滑動臂 (27)。

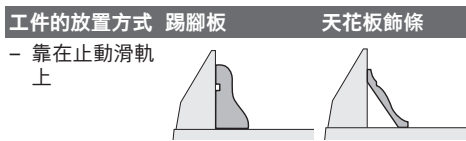
特殊工件

鋸切彎曲或圓形工件時必須特別小心，千萬要固定好工件，不可以讓工件滑動。在鋸線上，工件、止動滑軌與鋸台三者必須緊靠在一起，之間不可以存在任何空隙。

如有必要，必須製作特殊固定裝置。

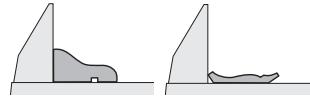
加工側邊條

可以使用以下兩種不同的方式加工側邊條：



工件的放置方式 踢腳板

- 平放在鋸台上



天花板飾條

接下來可以根據側邊條的寬度，選擇需拉動的鋸切方式或無需拉動的鋸切方式。

一律要先在廢木上測試調整好的斜鋸角 (水平和/或垂直)。

檢查和調整基本設定

為確保精準鋸切，頻繁使用之後必須檢查電動工具的基本設定，必要時須適度調整。

檢查時不但要具備足夠的經驗，而且得使用特殊工具。

博世客戶服務中心能夠既快速又可靠地執行這項工作。

校正雷射

提示：若要測試雷射功能，電動工具必須連接電源。

- ▶ **校正雷射時 (例如移動機臂時) 千萬不可以按下起停開關。** 不小心啟動電動工具可能造成人員受傷。

- 把電動工具調整至工作位置。
- 將鋸台 (37) 轉至 0° 刻槽 (14)。必須可感覺到撥桿 (12) 卡入刻槽。

檢查 (請參考圖 T1)

- 在工件上畫一條筆直鋸線。
- 利用把手 (1) 緩慢地將滑動臂 (27) 往下拉。
- 調整工件，讓鋸片上的鋸齒靠在鋸線上。
- 握住工件讓它保持在這個位置，並再度慢慢地向上提起滑動臂。
- 請確實夾緊工件。
- 請您利用開關 (59) 啟動雷射光束。

即使在放下滑動臂時，投射在工件上鋸線兩側的雷射光束，必須和整段鋸線等距平行。

拆卸雷射保護蓋 (請參考圖 T2)

- 用內六角扳手 (4 mm) (16) 鬆開雷射保護蓋 (26) 的兩顆螺栓 (62)。
提示：拆裝雷射保護蓋的前方螺栓時，必須將滑動臂略微往下翻轉，直到內六角扳手能夠從活動防護罩的開縫插入。

調整對齊 (請參考圖 T3)

- 拆卸雷射保護蓋 (26)。
- 1. 調整右側雷射光束：
 - 使用內六角扳手 (17) 轉動後方調整螺栓 (63)，讓右側雷射光束與工件上畫出的整段鋸線齊平。此時，左側雷射光束將隨之移動。
 - 逆時針旋轉時，雷射光束會由左向右移動。順時針旋轉時，雷射光束會由右向左移動。
- 2. 調整左側雷射光束：
 - 使用內六角扳手 (17) 轉動前方調整螺栓 (63)，讓左側雷射光束與工件上畫出的鋸線保持相同距離，和右側雷射光束一樣。

逆時針旋轉時，雷射光束會由左向右移動。順時針旋轉時，雷射光束會由右向左移動。

- 將雷射保護蓋 (26) 重新固定。

調整平行 (請參考圖 T4)

- 拆卸雷射保護蓋 (26)。
- 用內六角扳手 (17) 鬆開固定螺栓 (64) (約 1 - 2 圈)。不要完全旋出該螺栓。
- 把雷射安裝板向右或向左移動，讓投射在工件上鋸線兩側的雷射光束和整段鋸線平行。
- 讓雷射安裝板保持在該位置上，並重新旋緊固定螺栓 (64)。
- 調整完畢後要重新檢查雷射是否仍然與鋸線對齊。必要時請再次利用調整螺栓 (63) 對準雷射光束。
- 將雷射保護蓋 (26) 重新固定。

調整移動滑動臂時產生的側向偏移 (請參考圖 T5)

- 拆卸雷射保護蓋 (26)。
- 用內六角扳手 (17) 將兩顆固定螺栓 (65) 都鬆開 (約 1 - 2 圈)。不要完全旋出該螺栓。
- 向右或向左移動雷射外殼，讓雷射在滑動臂向下移動時不再有側向偏移。
- 調整完畢後要重新檢查雷射是否仍然與鋸線對齊。必要時請再次利用調整螺栓 (63) 對準雷射光束。
- 讓雷射外殼保持在該位置上，並重新旋緊固定螺栓 (65)。
- 將雷射保護蓋 (26) 重新固定。

設定垂直方向的 0° 基本斜鋸角

- 把電動工具調整在搬運位置上。
- 將鋸台 (37) 轉至 0° 刻槽 (14)。必須可感覺到撥桿 (12) 卡入刻槽。

檢查 (請參考圖 U1)

- 請將量角規設為 90°，然後將它放置到鋸台 (37) 上。

量角規的柄部必須全長與鋸片 (39) 齊平。

調整 (請參考圖 U2)

- 鬆開緊固握把 (13)。
- 鬆開兩個調整螺栓 (66) (至少旋轉 1 圈)，此時要使用套筒扳手 (10 mm)。
- 用內六角扳手 (4 mm) (16) 鬆開調整螺栓 (68) (約 3 圈)。
- 用內六角扳手 (4 mm) (16) 旋入或旋出調整螺栓 (67)，讓量角規的柄部全長與鋸片齊平。
- 將緊固握把 (13) 重新旋緊。然後先重新旋緊調整螺栓 (68)，再重新旋緊調整螺栓 (66)。

調整後，若角度指示器 (32) 和 (20) 未與刻度尺 (31) 的 0° 記號呈一直線，請用十字螺絲起子鬆開角度指示器的固定螺栓，將角度指示器對準 0° 記號。

調整垂直方向的 45° 基本斜鋸角 (左側)

- 把電動工具調整在工作位置上。
- 將鋸台 (37) 轉至 0° 刻槽 (14)。必須可感覺到撥桿 (12) 卡入刻槽。

- 將左側活動式止動滑軌 (5) 拉至最外側。
- 鬆開緊固握把 (13) 並從把手 (1) 處將滑動臂往左翻轉到底 (45°)。

檢查 (請參考圖 V1)

- 請將量角規設為 45°，然後將它放置到鋸台 (37) 上。

量角規的柄部必須全長與鋸片 (39) 齊平。

調整 (請參考圖 V2)

- 用開口扳手 (8 mm) 旋入或旋出調整螺栓 (69)，讓量角規的柄部全長與鋸片齊平。
- 將緊固握把 (13) 重新旋緊。

調整後，若角度指示器 (32) 和 (20) 未與刻度尺 (31) 的 45° 記號呈一直線，請先再檢查一次垂直斜鋸角和角度指示器的 0° 設定。然後再重新調整一次垂直 45° 斜鋸角。

調整垂直方向的 45° 基本斜鋸角 (右側)

- 把電動工具調整在工作位置上。
- 將鋸台 (37) 轉至 0° 刻槽 (14)。必須可感覺到撥桿 (12) 卡入刻槽。
- 將右側活動式止動滑軌 (5) 拉至最外側。
- 鬆開緊固握把 (13)。
- 從把手 (1) 處將滑動臂從 0° 位置略微往左傾斜，轉動旋鈕 (38)，直到看見右側垂直斜鋸角範圍。
- 從把手 (1) 處將滑動臂往右翻轉到底 (45°)。

檢查 (請參考圖 W1)

- 請將量角規設為 135°，然後將它放置到鋸台 (37) 上。

量角規的柄部必須全長與鋸片 (39) 齊平。

調整 (請參考圖 W2)

- 用開口扳手 (8 mm) 旋入或旋出調整螺栓 (70)，讓量角規的柄部全長與鋸片齊平。
- 將旋轉固定鈕 (13) 重新扭緊。

調整後，若角度指示器 (32) 和 (20) 未與刻度尺 (31) 的 45° 記號呈一直線，請先再檢查一次垂直斜鋸角和角度指示器的 0° 設定。然後再重新調整一次垂直 45° 斜鋸角。

校準水平斜鋸角刻度尺

- 把電動工具調整在工作位置上。
- 將鋸台 (37) 轉至 0° 刻槽 (14)。必須可感覺到撥桿 (12) 卡入刻槽。

檢查 (請參考圖 X1)

- 請將量角規設為 90°，然後將它放置到止動滑軌 (6) 與鋸片 (39) 之間的鋸台 (37) 上。

量角規的柄部必須全長與鋸片 (39) 齊平。

調整 (請參考圖 X2)

- 用內六角扳手 (4 mm) (16) 將四顆調整螺栓 (71) 全部鬆開，轉動鋸台 (37) 及刻度尺 (36)，使量角規的柄部全長與鋸片齊平。
- 再度旋緊螺栓。

調整後，若角度指示器 (57) 未與刻度尺 (36) 的 0° 記號呈一直線，請用十字螺絲起子鬆開螺栓 (72)，將角度指示器對準 0° 記號。

調整緊固握把的夾力 (13) (請參考圖 Y)

緊固握把 (13) 的夾力可再進行調整。

檢查

- 不管是設定在哪一個垂直斜鋸角上，緊固握把的夾緊力必須能夠緊緊地固定好滑動臂。

調整

- 鬆開緊固握把 (13)。
- 用套筒扳手 (17 mm) 沿逆時針方向旋轉調整螺栓 (73) 即可將夾力調弱，或沿順時針旋轉即可提高夾力。
- 調整垂直斜鋸角、重新旋緊緊固握把 (13)，並檢查夾力是否如您所需。

搬運 (請參考圖 Z)

搬運電動工具之前必須先執行以下步驟：

- 將滑動臂 (27) 推到最後面，然後將它固定在這個位置上。
- 請確認：限深擋塊 (29) 是否已推到最裡面且移動滑動臂時校正螺栓 (28) 不會穿過開口碰觸到限深擋塊。
- 將滑動臂往下拉至，搬運固定裝置 (30) 能夠推至最內側的程度
- 將鋸台延長件 (7) 完全往內推到底。
- 調整 0° 垂直斜鋸角並旋緊緊固握把 (13)。
- 將鋸台 (37) 往左轉到底，然後旋緊鎖定旋鈕 (11)。
- 用魔鬼氈帶 (74) 將電源線綁好。
- 拆除所有無法固定在電動工具上的配件。
- 搬運時必須儘可能把不使用的鋸片放置在密封盒子中。
- 請抓握鋸台側邊的把手槽 (15) 以便進行搬運。
- ▶ 搬運時僅可抓握搬運裝置，切勿從防護裝置、滑動臂或把手提起電動工具。

維修和服務**保養與清潔**

- ▶ 維修電動工具或換裝零、配件之前，務必從插座上拔出插頭。
- ▶ 電動工具和通風口都必須保持清潔，這樣才能夠提高工作品質和安全性。

如果必須更換連接線，請務必交由 **Bosch** 或者經授權的 **Bosch** 電動工具顧客服務執行，以避免危害機器的安全性能。

活動防護罩必須能夠自由來回擺動，並且要能夠自動關閉，所以防護罩的四周必須隨時保持清潔。

- 每次工作結束後請用軟刷清除粉塵與鋸屑。
- 定期清潔滑輪 (19) 和滑動臂 (27)。

配件

	產品機號
夾鉗	1 609 B06 203
嵌補板	1 609 B04 470

	產品機號
集塵袋	1 609 B05 010
吸塵轉接頭	2 607 001 977
工作桌 GTA 2500 W	0 601 B12 100
工作桌 GTA 3800	0 601 B24 000
木屑吸塵器 GAS 35 M AFC	0 601 9C3 100
適用於木材與木板、嵌板和木條的鋸片	
鋸片 305 x 25.4 mm，60 個鋸齒	2 608 640 914
適用於塑膠及非鐵金屬的鋸片	
鋸片 305 x 25.4 mm，96 個鋸齒	2 608 642 205
鋸片 305 x 25.4 mm，96 個鋸齒	2 608 642 206

顧客服務處和顧客諮詢中心

本公司顧客服務處負責回答有關本公司產品的維修、維護和備用零件的問題。以下的網頁中有分解圖和備用零件相關資料：www.bosch-pt.com
如果對本公司產品及其配件有任何疑問，博世應用諮詢小組很樂意為您提供協助。

當您需要諮詢或訂購備用零件時，請務必提供本產品型號銘牌上 10 位數的產品機號。

中國香港和澳門特別行政區

羅伯特·博世有限公司
香港北角英皇道625號21樓
客戶服務熱線：+852 2101 0235
電子郵件：info@hk.bosch.com
www.bosch-pt.com.hk

台灣

台灣羅伯特博世股份有限公司
建國北路一段90號6樓
台北市10491
電話：(02) 7734 2588
傳真：(02) 2516 1176
www.bosch-pt.com.tw

制造商地址：

Robert Bosch Power Tools GmbH
羅伯特·博世電動工具有限公司
70538 Stuttgart / GERMANY
70538 斯圖加特/ 德國

廢棄物處理

必須以符合環保的方式，回收再利用損壞的機器、配件和廢棄的包裝材料。



不可以把電動工具丟入一般的家庭垃圾中。

한국어

안전 수칙

전동공구용 일반 안전수칙

⚠ 경고 본 전동공구와 함께 제공된 모든 안전경고, 지시사항, 그림 및 사양을 숙지하십시오. 다음의 지시 사항을 준수하지 않으면 감전, 화재, 또는 심각한 부상을 초래할 수 있습니다.

앞으로 참고할 수 있도록 이 안전수칙과 사용 설명서를 잘 보관하십시오.

다음에서 사용되는 "전동공구"라는 개념은 전원에 연결하여 사용하는 (전선이 있는) 전동 기기나 배터리를 사용하는 (전선이 없는) 전동 기기를 의미합니다.

작업장 안전

- ▶ **작업장을 항상 깨끗이 하고 조명을 밝게 하십시오.** 작업장 환경이 어수선하거나 어두우면 사고를 초래할 수 있습니다.
- ▶ **가연성 유체, 가스 또는 분진이 있어 폭발 위험이 있는 환경에서 전동공구를 사용하지 마십시오.** 전동공구는 분진이나 증기에 접화하는 스파크를 일으킬 수 있습니다.
- ▶ **전동공구를 사용할 때 구경꾼이나 어린이 혹은 다른 사람이 작업장에 접근하지 못하게 하십시오.** 다른 사람이 주의를 산만하게 하면 기기에 대한 통제력을 잃기 쉽습니다.

전기에 관한 안전

- ▶ **전동공구의 전원 플러그가 전원 콘센트에 잘 맞아야 합니다.** 플러그를 절대 변경시켜서는 안 됩니다. (접지된) 전동공구를 사용할 때 어댑터 플러그를 사용하지 마십시오. 변형되지 않은 플러그와 잘 맞는 콘센트를 사용하면 감전의 위험을 줄일 수 있습니다.
- ▶ **파이프 콘, 라디에이터, 레인지, 냉장고와 같은 접지 표면에 몸이 닿지 않도록 하십시오.** 몸에 닿을 경우 감전될 위험이 높습니다.
- ▶ **전동공구를 비에 맞지 않게 하고 습기 있는 곳에 두지 마십시오.** 전동공구에 물이 들어가면 감전될 위험이 높습니다.
- ▶ **전원 코드를 잘못 사용하는 일이 없도록 하십시오.** 전원 코드를 잡고 전동공구를 운반해서는 안 되며, 콘센트에서 전원 플러그를 뽑을 때 전원 코드를 잡아 당겨서는 절대로 안 됩니다. 전원 코드가 열과 오일에 접촉하는 것을 피하고, 날카로운 모서리나 기기의 가동 부위에 닿지 않도록 주의 하십시오. 손상되거나 영긴 전원 코드는 감전을 유발할 수 있습니다.
- ▶ **실외에서 전동공구로 작업할 때는 실외용으로 적당히 연장 전원 코드만을 사용하십시오.** 실외용 연장 전원 코드를 사용하면 감전의 위험을 줄일 수 있습니다.

- ▶ **전동공구를 습기 찬 곳에서 사용해야 할 경우에는 누전 차단기를 사용하십시오.** 누전 차단기를 사용하면 감전 위험을 줄일 수 있습니다.

사용자 안전

- ▶ **신중하게 작업하며, 전동공구를 사용할 때 경솔하게 행동하지 마십시오.** 피로한 상태이거나 약물 복용 및 음주한 후에는 전동공구를 사용하지 마십시오. 전동공구를 사용할 때 잠이라도 주의가 산만해지면 중상을 입을 수 있습니다.
- ▶ **작업자 안전을 위한 장치를 사용하십시오.** 항상 보안경을 착용하십시오. 전동공구의 종류와 사용에 따라 먼지 보호 마스크, 미끄러지지 않는 안전화, 안전모 또는 귀마개 등의 안전한 복장을 하면 상해의 위험을 줄일 수 있습니다.
- ▶ **실수로 기기가 작동되지 않도록 주의하십시오.** 전동공구를 전원엔 연결하거나 배터리를 끼우기 전에, 혹은 기기를 들거나 운반하기 전에, 전원 스위치가 꺼져 있는지 다시 확인하십시오. 전동공구를 운반할 때 전원 스위치에 손가락을 대거나 전원 스위치가 켜진 상태에서 전원을 연결하면 사고 위험이 높습니다.
- ▶ **전동공구를 사용하기 전에 조절하는 톨이나 키 등을 빼 놓으십시오.** 회전하는 부위에 있는 톨이나 키로 인해 상처를 입을 수 있습니다.
- ▶ **자신을 과신하지 마십시오.** 불안정한 자세를 피하고 항상 평형을 이룬 상태로 작업하십시오. 안정된 자세와 평형한 상태로 작업해야만이 의외의 상황에서도 전동공구를 안전하게 사용할 수 있습니다.
- ▶ **알맞은 작업복을 입으십시오.** 헐렁한 복장을 하거나 장신구를 착용하지 마십시오. 머리나 옷이 가동하는 기기 부위에 가까이 닿지 않도록 주의 하십시오. 헐렁한 복장, 장신구 혹은 긴 머리는 가동 부위에 말려 사고를 초래할 수 있습니다.
- ▶ **분진 추출장치나 수거장치의 조립이 가능한 경우, 이 장치가 연결되어 있는지, 제대로 작동이 되는지 확인하십시오.** 이러한 분진 추출장치를 사용하면 분진으로 인한 사고 위험을 줄일 수 있습니다.
- ▶ **툴을 자주 사용한다고 해서 안주하는 일이 없게 하고 공구의 안전 수칙을 무시하지 않도록 하십시오.** 부주의하게 취급하여 순간적으로 심각한 부상을 입을 수 있습니다.

전동공구의 올바른 사용과 취급

- ▶ **기기를 과부하 상태에서 사용하지 마십시오.** 작업할 때 이에 적당한 전동공구를 사용하십시오. 알맞은 전동공구를 사용하면 지정된 성능 한도 내에서 더 효율적으로 안전하게 작업할 수 있습니다.
- ▶ **전원 스위치가 고장 난 전동공구를 사용하지 마십시오.** 전원 스위치가 작동되지 않는 전동공구는 위험하므로, 반드시 수리를 해야 합니다.
- ▶ **전동공구를 조정하거나 액세서리 부품 교환 혹은 공구를 보관할 때, 항상 전원 콘센트에서 플러그를 미리 빼어 놓거나 배터리를 분리하십시오.** 이러한 조치는 실수로 전동공구가 작동하게 되는 것을 예방합니다.

- ▶ 사용하지 않는 전동공구는 어린이 손이 닿지 않는 곳에 보관하고, 전동공구 사용에 익숙지 않거나 이 사용 설명서를 읽지 않은 사람은 기기를 사용해서는 안됩니다. 경험이 없는 사람이 전동공구를 사용하면 위험합니다.
- ▶ 전동공구 및 액세서리를 조심스럽게 관리하십시오. 가동 부위가 하자 없이 정상적인 기능을 하는지, 걸리는 부위가 있는지, 혹은 전동공구의 기능에 중요한 부품이 손상되지 않았는지 확인하십시오. 손상된 기기의 부품은 전동공구를 다시 사용하기 전에 반드시 수리를 맡기십시오. 제대로 관리하지 않은 전동공구의 경우 많은 사고를 유발합니다.
- ▶ 절단 공구를 날카롭고 깨끗하게 관리하십시오. 날카로운 절단면이 있고 잘 관리된 절단공구는 걸리는 경우가 드물고 조절하기도 쉽습니다.
- ▶ 전동공구, 액세서리, 장착하는 공구 등을 사용할 때, 이 지시 사항과 특별히 기종 별로 나와있는 사용 방법을 준수하십시오. 이때 작업 조건과 실시하려는 작업 내용을 고려하십시오. 원래 사용 분기가 아닌 다른 작업에 전동공구를 사용할 경우 위험한 상황을 초래할 수 있습니다.
- ▶ 손잡이 및 잡는 면을 건조하게 유지하고, 오일 및 그리스가 묻어 있지 않도록 깨끗하게 하십시오. 손잡이 또는 잡는 면이 미끄러우면 예상치 못한 상황에서 안전한 취급 및 제어가 어려워집니다.

서비스

- ▶ 전동공구 수리는 반드시 전문 인력에게 맡기고, 수리 정비 시 보쉬 순정 부품만을 사용하십시오. 그렇게 함으로써 기기의 안전성을 오래 유지할 수 있습니다.

마이터 톱에 대한 안전 경고사항

- ▶ 마이터 톱은 목재나 목재와 유사한 제품을 절단하는 데 사용하는 공구이기 때문에 바, 로드, 스톱 등 철 재질의 절단을 위한 연마 절단 휠과 함께 사용할 수 없습니다. 연마 분진 때문에 하부 가드 등 움직이는 부분이 걸릴 수 있습니다. 연마 절단에서 발생하는 불꽃으로 하부 가드나 기타 플라스틱 부분이 탈 수 있습니다.
- ▶ 가능할 때는 언제나 클램프를 사용해 작업 재료를 지지하십시오. 작업 재료를 손으로 지지할 때는 항상 손과 톱날 양쪽의 거리를 최소 100 mm 정도로 유지하십시오. 이 톱이 너무 작아 안정적으로 클램핑할 수 없거나 손으로 잡을 수 없는 작업 재료를 절단하는 데 사용하지 마십시오. 손이 톱날에 너무 가까우면 톱날에 닿아 부상을 당할 위험이 커집니다.
- ▶ 작업 재료는 클램프로 고정되거나 펜스와 테이블에 모두 고정되어야 합니다. “손으로” 작업 재료를 절단하거나 톱날로 이송하지 마십시오. 통제되지 않거나 움직이는 작업 재료가 고속으로 튀어 부상을 당할 수 있습니다.
- ▶ 톱이 작업 재료를 관통하도록 미십시오. 톱이 작업 재료를 관통하도록 잡아당기지 마십시오. 절단하려면, 톱 머리를 들어올리고 절단하지 않으면서 작업 재료 위로 톱 머리를 잡아당긴 다음 오퍼 시동을 걸고 톱 머리를 아래로 누르면서 작업 재료를 관통하도록 톱을 미십시오. 잡아당기는 스트로크에서 절단하면 톱날이 작업 재료 위로 올라가 톱날이 작업자 쪽으로 튀어 위험할 수 있습니다.
- ▶ 절대로 톱날 앞이나 뒤에서 절단선 위에 손을 교차시키지 마십시오. “손을 교차시켜” 작업 재료를 지지하면 (예: 톱날의 오른쪽에서 왼손으로 작업 재료 고정 또는 그 반대) 매우 위험합니다.
- ▶ 톱날이 회전하는 동안 목재 부스러기 제거나 다른 이유로 톱날 양쪽으로부터 100 mm보다 가까운 거리에서 손을 펜스 뒤로 가져가지 마십시오. 회전하는 톱날과 손이 가까우면 심각한 부상을 당할 수 있습니다.
- ▶ 절단하기 전에 작업 재료를 검사하십시오. 작업 재료가 휘거나 뒤틀리면 표면이 펜스를 향해 바깥쪽으로 휨 상태로 클램핑하십시오. 항상 절단선을 따라 작업 재료, 펜스 및 테이블 사이에서 간격이 없게 하십시오. 휘거나 뒤틀린 작업 재료는 비틀리거나 변형될 수 있고 절단하는 동안 회전하는 톱날에 걸릴 수 있습니다. 작업 재료에 못이나 이물질이 없어야 합니다.
- ▶ 톱을 사용하기 전에 테이블에서 작업 재료를 제외한 모든 공구, 목재 부스러기 등을 치우십시오. 목재나 다른 물체의 작은 부스러기나 험거운 조각이 회전하는 톱날에 닿아 고속으로 튈 수 있습니다.
- ▶ 한 번에 한 작업 재료만 절단하십시오. 여러 작업 재료를 쌓으면 적절히 클램핑하거나 지지할 수 없어 절단 중에 톱날에 걸리거나 톱날이 움직일 수 있습니다.
- ▶ 사용 전에 마이터 톱을 단단하고 평평한 작업 표면에 놓으십시오. 작업 표면이 단단하고 평평하면 마이터 톱이 불안정해질 위험이 감소합니다.
- ▶ 작업을 계획하십시오. 베벨 또는 마이터 각도 세팅을 변경할 때마다 작업 재료를 지지할 수 있도록 조절식 펜스를 올바르게 세팅해야 하고 톱날이나 가이드 시스템을 방해하지 않아야 합니다. 공구를 켜지 않고 테이블에 작업 재료가 없는 상태에서 마이터 톱을 절단 시뮬레이션을 통해 움직여 펜스를 방해하거나 펜스를 절단할 위험이 없는지 확인하십시오.
- ▶ 작업 재료가 테이블 상단보다 넓거나 긴 경우 테이블 익스텐션이나 쇼울스 같은 적절한 지지대를 사용하십시오. 마이터 톱 테이블보다 길거나 넓은 작업 재료를 안전하게 고정하지 않으면 기울어질 수 있습니다. 절단된 조각이나 작업 재료가 기울 경우 하부 가드를 들어 올리거나 회전하는 톱날에 의해 튈 수 있습니다.
- ▶ 사람을 테이블 익스텐션의 대응물이나 추가 지지대로 이용하지 마십시오. 작업 재료를 불안정하게 지지하면 절단 작업 중에 톱날이 걸리거나 작업 재료가 움직여 작업자와 조수를 회전하는 톱날로 끌어당길 수 있습니다.
- ▶ 절단된 조각이 회전하는 톱날에 걸리거나 눌릴 수 있습니다. 길이 스톱퍼 등을 사용해 제한하면 절단된 조각이 톱날에 끼어 튈 위험이 있습니다.

- ▶ 항상 로드나 튜브 같은 원형 재료를 적절히 지지 하도록 고안된 클램프나 치공구를 사용하십시오. 로드는 절단되는 동안 회전하는 경향이 있기 때문에 톱날이 “걸리고” 작업 재료와 작업자의 손이 톱날 쪽으로 당겨질 수 있습니다.
- ▶ 톱날을 작업 재료에 밀착하기 전에 톱날을 전속력으로 회전시키십시오. 그러면 작업 재료가 튀 위험이 감소합니다.
- ▶ 작업 재료나 톱날이 걸리면 마이터 톱을 끄십시오. 모든 움직이는 부분이 멈출 때까지 기다리고 전원 플러그를 뽑거나 배터리 팩을 제거하십시오. 그런 다음 걸린 재료를 빼내십시오. 작업 재료가 걸린 상태로 계속 작업하면 제어력을 잃거나 마이터 톱이 손상될 수 있습니다.
- ▶ 절단이 끝난 후 스위치를 끌고 톱 머리를 아래로 누른 다음 톱날이 멈출 때까지 기다린 후 절단된 조각을 제거하십시오. 관성 정지하고 있는 톱날 가까이에 손을 대면 위험합니다.
- ▶ 절단이 끝나지 않았거나 톱 머리가 완전히 아래 위치에 있기 전에 스위치를 풀었을 경우 손잡이를 단단히 잡으십시오. 톱의 제동력으로 톱 머리가 갑자기 아래로 당겨져 부상을 당할 수 있습니다.
- ▶ 작업장을 청결하게 유지하십시오. 자재가 혼합되면 특히 위험합니다. 경합금 분진은 연소 또는 폭발을 일으킬 수 있습니다.
- ▶ 절대로 무디거나 금이 간 톱날 혹은 휘거나 손상된 톱날을 사용하지 마십시오. 무디거나 방향이 잘못된 톱날을 사용하면 톱 간격이 아주 좁아져 과도한 마찰, 톱날의 물림 혹은 반동을 유발하게 됩니다.
- ▶ 고합금 고속강(HSS)으로 된 톱날은 사용하지 마십시오. 이런 톱날은 쉽게 부러질 수 있습니다.
- ▶ 항상 주축 구멍의 크기와 모양(다이아몬드형 또는 원형)이 맞는 톱날을 사용하십시오. 톱날이 장착된 장비와 맞지 않으면 중심을 벗어난 상태로 작동되어 제어가 어려울 수 있습니다.
- ▶ 내장된 레이저를 다른 타입의 레이저로 교체하지 마십시오. 이 전동공구에 적합하지 않은 레이저는 사람에게 위험할 수 있습니다.
- ▶ 절대로 전동공구가 작동하는 동안 절단 부위에서 절단 나머지 조각이나 톱밥 등을 제거하지 마십시오. 톱 암을 항상 중립 위치에 두고 나서 전동공구의 스위치를 끄십시오.
- ▶ 작업을 마치고 나서 톱날이 완전히 식은 후에 톱날을 만지십시오. 톱날이 작업하는 동안 아주 뜨거워질 수 있습니다.
- ▶ 전동공구에 있는 경고판들이 잘 보이도록 하십시오.
- ▶ 주의 - 여기에 제시된 조작 장치 또는 조정 장치 외의 용도로 사용하거나 다른 방식으로 작업을 진행하는 경우, 광선으로 인해 폭발될 위험이 있습니다.
- ▶ 내장된 레이저를 다른 타입의 레이저로 교체하지 마십시오. 이 전동공구에 적합하지 않은 레이저는 사람에게 위험할 수 있습니다.

▶ 레이저 장치를 개조하지 마십시오. 사용자 설명서에 나와 있는 설정 방법을 준수할 때 안전한 사용이 보장됩니다.








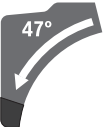
사람이나 동물에게 레이저 광선을 비추거나, 광선을 직접 또는 반사시켜 보지 마십시오. 이로 인해 눈이 부시게 만들어 사고를 유발하거나 눈에 손상을 입을 수 있습니다.

기호

다음에 나와있는 기호는 귀하의 전동공구를 사용하는 데 중요할 수 있습니다. 그러므로 기호와 그 의미를 잘 기억해 두십시오. 기호를 제대로 이해하면 전동공구를 더욱 쉽고 안전하게 사용할 수 있습니다.

기호와 의미	
	레이저 등급 1
	전동공구가 작동하는 동안 손을 톱날 쪽으로 두지 마십시오. 톱날에 닿게 되면 상해 위험이 있습니다.
	분진 마스크를 착용하십시오.
	보안경을 착용하십시오.
	귀마개를 착용하십시오. 소음으로 인해 청각을 상실할 수 있습니다.
	위험 부위! 가능한 한 이 부위에 손과 팔, 손가락을 가까이 대지 마십시오.
	톱 암의 가동 부위 사이로 손을 대지 마십시오. 손가락이 끼여 충상을 입을 수 있습니다.
	톱날의 수치를 확인하십시오. 구멍의 직경은 톱 스피indle에 정확히 맞아야 합니다. 리덕션 링 사용해야 하는 경우, 리덕션 링의 치수가 블레이드 두께와, 구멍의 직경, 톱 스피indle의 직경에 맞는 지 확인하십시오.

기호와 의미

	<p>톱날과 함께 공급되는 리덕션 링을 최대한 활용하십시오.</p> <p>톱날 직경은 기호에 적혀 있는 내용과 일치해야 합니다.</p>
	<p>전동공구를 운반할 때 표시된 부위(손잡이) 혹은 운반용 손잡이만을 잡으십시오.</p>
	<p>절대로 톨 암의 손잡이를 잡은 채 전동공구를 운반하지 마십시오.</p>
	<p>레이저 전원 켜기</p>
	<p>고정 레버 열림: 수직 베벨 각도를 조절할 수 있습니다.</p> <p>고정 레버 닫힘: 톨 암의 수직 베벨 각도가 유지됩니다.</p>
	<p>수직 베벨 각도를 설정하는 방법을 단계적으로 표시합니다.</p> <ol style="list-style-type: none"> 1. 고정 레버 풀기 2. 톨 암을 약간 왼쪽으로 젖히기 3. 노브로 원하는 수직 마이터 각도 범위 설정
	<p>노브로 원하는 수직 베벨 각도 범위 설정:</p>
	<p>톱날이 왼쪽으로 기울어짐 (45° ... 0°)</p>
	<p>톱날이 오른쪽으로 기울어짐 (0° ... 45°)</p>
	<p>톨 암의 전체 진폭 범위(-47° ... +47°)</p>

제품 및 성능 설명



모든 안전 수칙과 지침을 숙지하십시오.
다음의 안전 수칙과 지침을 준수하지 않으면 화재 위험이 있으며 감전 혹은 중상을 입을 수 있습니다.

사용 설명서 앞 부분에 제시된 그림을 확인하십시오.

규정에 따른 사용

본 전동공구는 고정식 공구로, 목재를 직선으로 켜는 작업 및 절단하는 작업에 사용해야 합니다. 이때 수평 마이터 각도는 -52° ~ +60°이며, 수직 마이터 각도는 (좌측) 47°에서 (우측) 47°까지 가능합니다. 전동공구의 성능은 경목과 연목, 파티클 보드 및 섬유판을 절단하도록 설계되어 있습니다. 적합한 톨날을 사용하면 알루미늄 프로파일과 플라스틱을 절단할 수도 있습니다.

제품의 주요 명칭

제품의 주요 명칭에 표기되어 있는 번호는 기기 그림이 나와있는 면을 참고하십시오.

- (1) 손잡이
- (2) 전원 스위치용 시동 안전 잠금장치
- (3) 안전반
- (4) 하부 안전반
- (5) 위치 조절이 가능한 펜스
- (6) 펜스
- (7) 톨 테이블 연장장치
- (8) 조립용 구멍
- (9) 작업 표면 보호대
- (10) 잠금 브래킷
- (11) 다양한 (수평) 마이터 각도를 위한 잠금 손잡이
- (12) (수평) 마이터 각도 설정용 레버
- (13) 다양한 (수직) 마이터 각도를 위한 고정 레버
- (14) (수평) 표준 마이터 각도 표시 홈
- (15) 홈 파인 잡는 부위
- (16) 육각키(6 mm/4 mm)
- (17) 육각키(2 mm)
- (18) 순간 고정 클램프
- (19) 롤러
- (20) 우측 (수직) 마이터 각도 범위(0°~47°)용 각도 표시기
- (21) 보호가드
- (22) 톨밥 배출구
- (23) 공구 연동 어댑터
- (24) 글라이딩 장치의 잠금 레버
- (25) 레이저 경고판
- (26) 레이저 보호캡
- (27) 톨 암
- (28) 깊이 조절자의 조정 나사
- (29) 깊이 조절자
- (30) 운반 안전장치
- (31) (수직) 마이터 각도용 눈금

58 | 한국어

- (32) 좌측 (수직) 마이터 각도 범위 (47°~0°)용 각도 표시기
- (33) (수직) 22.5° 마이터 각도용 조절 노브
- (34) 길이 조절자 잠금 나사^{A)}
- (35) 길이 조절자^{A)}
- (36) (수평) 마이터 각도 눈금
- (37) 톱 테이블
- (38) (수직) 마이터 각도 범위 조절용 노브
- (39) 톱날
- (40) 레이저빔 발사구
- (41) 하부 안전반의 막대 잠금 나사
- (42) 하부 안전반의 막대
- (43) 앞쪽 고정 나사 (커버 판/하부 안전반)
- (44) 뒤쪽 고정 나사 (커버 판/하부 안전반)
- (45) 커버 판
- (46) 스피들 잠금장치
- (47) 톱날 고정용 육각 볼트
- (48) 고정 플랜지
- (49) 내부 고정 플랜지
- (50) 톱 테이블 연장장치의 클램핑 레버
- (51) 위치 조절이 가능한 펜스의 잠금 나사
- (52) 제동장치
- (53) 제동용 세팅 나사들
- (54) 순간 고정 클램프용 구멍
- (55) 날개 나사
- (56) 나사산 로드
- (57) (수평) 마이터 각도용 각도 표시기
- (58) 전원 스위치
- (59) 레이저 전원 스위치(절단선 표시)
- (60) 작업 표면 보호대용 볼트
- (61) 길이 조절자 클램핑 나사^{A)}
- (62) 레이저 보호캡용 나사
- (63) 레이저 위치 설정용 세팅 나사(일직선)
- (64) 레이저 조립판용 고정 나사
- (65) 레이저 하우징용 고정 나사
- (66) 기본 설정 0°(수직 마이터 각도)용 세팅 나사 /
- (67) /
- (68) /
- (69) 기본 설정 45°(좌측 수직 마이터 각도)용 세팅 나사
- (70) 기본 설정 45°(우측 수직 마이터 각도)용 세팅 나사
- (71) (수평) 마이터 각도 눈금용 세팅 나사
- (72) (수평) 각도 표시기용 볼트
- (73) 다양한 (수직) 마이터 각도를 위한 고정 레버의 고정력 세팅 나사
- (74) 접착형 스트랩

A) 도면이나 설명서에 나와있는 액세서리는 표준 공급부품에 속하지 않습니다. 전체 액세서리는 저희 액세서리 프로그램을 참고하십시오.

제품 사양

각도 절단기		GCM 12 GDL	GCM 12 GDL
제품 번호		3 601 M23 641 3 601 M23 6L1	3 601 M23 6B1 3 601 M23 6B1 3 601 M23 6K1
소비 전력	W	2000	1800
정격 전압	V	230-240	220-230
주파수	Hz	50	50/60
무부하 속도	min ⁻¹	4000	4000
시동 전류 제한장치		●	●
레이저 유형	nm	650	650
	mW	< 1	< 1
레이저 등급		1	1
EPTA-Procedure 01:2014에 따른 중량	kg	32.1	32.1
보호 등급		□/II	□/II
적당한 톱날의 크기			
톱날 직경	mm	305	305
톱날 두께	mm	1.7-2.6	1.7-2.6
최대 절단 폭	mm	3.2	3.2

각도 절단기	GCM 12 GDL	GCM 12 GDL
구멍 직경	mm	25.4
		25.4

작업물 허용 크기 (참조 „작업물 허용 크기“, 페이지 63)

조립

- ▶ 실수로 전동공구가 작동하지 않도록 주의하십시오. 조립을 하거나 전동공구에 모든 작업을 하기 전에 반드시 콘센트에서 전원 플러그를 빼 놓으십시오.

공급 내역



이를 위해 설명서 초반에 제시된 공급 내역의 그림에 유의하십시오.

전동공구를 처음 사용하기 전에 먼저 아래에 열거된 부품이 모두 공급되었는지 확인해 보십시오:

- 톱날이 조립된 슬라이딩 각도 절단기 (39)
- 잠금 손잡이 (11)
- 육각키 (16)
- 육각키 (17)
- 순간 고정 클램프 (18)

지침: 혹시 전동공구가 손상되지 않았는지 확인해 보십시오.

전동공구를 계속 사용하기 전에 보호장치나 경미하게 손상된 부품이 아무 하자 없이 제대로 기능을 하는지 조심스럽게 확인해 보아야 합니다. 또한 가동 부위가 하자 없이 정상적인 기능을 하는지, 걸리는 부위가 없는지 혹은 부품이 손상되지 않았는지 확인하십시오. 기기를 제대로 작동하려면 모든 부품이 올바르게 조립되어 있어야 하고 모든 조건을 만족해야 합니다.

손상된 보호장치나 부품은 지정 서비스 센터에 맡겨 수리하거나 교환하도록 해야 합니다.

공급 부품 외 추가로 필요한 공구:

- 십자형 스크류 드라이버
- 양구 스패너(크기: 8 mm)
- 링 스패너, 양구 스패너, 소켓 스패너(크기: 10 mm 및 17 mm)

개별 부품 조립하기

- 모든 공급되는 부품을 조심스럽게 포장에서 꺼내십시오.
- 전동기와 함께 공급되는 액세서리에서 포장재를 빼십시오.

잠금 손잡이 조립하기(그림 a 참조)

- 잠금 손잡이 (11) 를 레버 (12) 위쪽의 해당되는 구멍에 끼우십시오.
- ▶ 절단 작업을 하기 전에 항상 잠금 손잡이 (11) 를 꼭 조이십시오. 그렇지 않으면 톱날이 작업물에 걸릴 수 있습니다.

고정식 혹은 이동식 조립

- ▶ 안전한 작업을 하려면 전동공구를 사용하기 전에 먼저 작업대 처럼 안정적이고 평평한 작업면 위에 조립해야 합니다.

작업대에 조립하기(그림 b1 참조)

- 전동공구를 적당한 고정 볼트를 사용하여 작업대에 고정하십시오. 이때 구멍 (8) 을 사용하십시오.
- 또는
- 전동공구의 아래 부분을 시중에서 구매가 가능한 순간 고정 클램프를 사용하여 작업대에 고정하십시오.

보쉬 절단기 스탠드에 조립하기 (그림 b2 참조)

(GTA 2500 W, GTA 3700, GTA 3800)

보쉬사의 GTA-절단기 스탠드를 사용하면 높이 조절이 가능한 받이 있어 전동공구를 각종 바닥 면에 안정된 상태로 세울 수 있습니다. 절단기 스탠드의 작업을 받침대는 긴 작업물 작업 시 받쳐 줍니다.

- ▶ 절단기 스탠드에 첨부되어 있는 모든 경고 사항과 사용 설명서를 자세히 읽고 지켜야 합니다. 경고 사항과 사용 설명서를 준수하지 않으면 화재 위험이 있으며 감전 혹은 중상을 입을 수 있습니다.

- ▶ 전동공구를 조립하기 전에 절단기 스탠드를 제대로 세워야 합니다. 절단기 스탠드를 올바르게 세워야 쓰러질 위험이 줄어듭니다.

- 전동공구를 운반 시의 위치로 절단기 스탠드 위에 조립하십시오.

분진 및 톱밥 추출장치

납 성분을 포함한 페인트나 몇몇 나무 종류, 또는 광물 성분 그리고 철과 같은 재료의 분진은 건강을 해칠 수 있습니다. 이 분진을 만지거나 호흡할 경우, 사용자나 주변 사람들이 알레르기 반응이나 호흡기 장애를 일으킬 수 있습니다.

떡갈나무나 너도밤나무와 같은 특정한 분진은 암을 유발시키며, 특히 목재 처리용으로 사용되는 부가 원료 (크로마트, 목재 보호제)와 혼합되면 암을 유발시키게 됩니다. 석면 성분을 포함한 재료는 전문가만 작업할 수 있습니다.

- 가능하면 작업물 소재에 적당한 분진 추출장치를 사용하십시오.
- 작업장의 통풍이 잘 되도록 하십시오.
- 필터등급 P2가 장착된 호흡 마스크를 사용하십시오.

작업용 재료에 관해 국가가 지정한 규정을 고려하십시오.

- ▶ 작업장에 분진이 쌓이지 않도록 하십시오. 분진이 쉽게 발화할 수 있습니다.

분진 및 톱밥 추출장치가 분진, 톱밥 혹은 작업물의 파편으로 막힐 수 있습니다.

- 이러한 경우 전동공구의 스위치를 끄고 전원 콘센트에서 플러그를 빼십시오.
- 톱날이 완전히 정지할 때까지 기다리십시오.
- 막히게 된 원인을 찾아 해결하십시오.

외부 분진 처리

집진을 위해 공구 연동 어댑터 (23) 에도 집진 호스 (Ø 35 mm)를 연결하십시오.

- 집진 호스를 공구 연동 어댑터 (23) 에 연결하십시오.

진공 청소기는 작업하는 소재에 적당한 것이어야 합니다.

특히 건강에 유해한 발암성 혹은 건조한 분진을 처리해야 할 경우에는 특수한 청소기를 사용해야 합니다.

공구 연동 어댑터 청소하기

완벽한 집진 효과를 보장하려면 주기적으로 공구 연동 어댑터 (23) 를 청소해야 합니다.

- 공구 연동 어댑터 (23) 를 톱밥 배출구 (22) 에서 돌려 빼내십시오.
- 작업물의 부스러기와 톱밥을 제거하십시오.
- 공구 연동 어댑터가 톱밥 배출구의 겉이에 끼워질 때까지 돌리며 눌러 톱밥 배출구에 다시 끼웁니다.

톱날 교환하기(그림 c1-c4 참조)

▶ 전동공구를 보수 정비하기 전에 반드시 콘센트에서 전원 플러그를 빼십시오.

▶ 톱날을 조립할 때 보호 장갑을 착용하십시오. 톱날에 닿게 되면 상해를 입을 수 있습니다.

반드시 허용되는 최고 RPM이 전동공구의 무부하 속도보다 높은 톱날만 사용해야 합니다.

이 사용 설명서에 나와있는 특성 자료에 부합하고 EN 847-1 기준에 따라 검증되었다는 것이 표시되어 있는 톱날만 사용하십시오.

본 전동공구는 제조사가 권장하는 작업 자재와 톱날만 사용하십시오. 이를 통해 톱니 과열 현상을 방지할 수 있습니다.

톱날 탈착하기

- 전동공구를 작업 위치로 둡니다.
- 막대 (42) 가 아래로 매달릴 때까지 잠금 나사 (41) 를 손으로 돌려 풀어주십시오.
- 고정 나사 (43) 를 육각키 (mm) (16) 로 (약 2번 돌려) 풀니다.
- 나사를 완전히 빼지 마십시오.
- 고정 나사 (44) 를 육각키 (mm) (16) 로 (약 6번 돌려) 풀니다.
- 나사를 완전히 빼지 마십시오.
- 커버 판 (45) 을 고정 나사 (44) 에서 앞으로 당겨 아래로 빼십시오.
- 하부 안전반 (4) 을 뒤로 젖힌 후 이 위치에서 하부 안전반을 잡고 계십시오.

- 막대 (42) 를 고정 나사 (44) 위에 있는 구멍에 거십시오..
- 이렇게 하면 하부 안전반을 열린 상태로 유지할 수 있습니다.
- 육각 볼트 (47) 를 육각키 (mm) (16) 로 돌리면서 스프링 잠금장치 (46) 가 맞물려 고정될 때까지 미십시오.
- 스프링 잠금장치 (46) 를 누른 상태에서 육각 볼트 (47) 를 시계 방향으로 돌려 빼내십시오(원나사!).
- 고정 플랜지 (48) 를 분리하십시오.
- 톱날 (39) 을 분리하십시오.

톱날 장착하기

▶ 톱날을 끼울 때 톱니의 절단 방향(톱날에 표시된 화살표 방향)이 안전반에 나와있는 화살표 방향과 일치해야 하는지 확인하십시오!

필요에 따라, 장착하기 전에 조립하려는 모든 부품을 깨끗이 닦으십시오.

- 새 톱날을 고정 플랜지 (49) 안쪽에 끼우십시오.
- 고정 플랜지 (48) 및 육각 볼트 (47) 를 끼우십시오. 스프링 잠금장치 (46) 가 맞물려 고정될 때까지 누른 다음, 육각 볼트를 시계 반대 방향으로 조이십시오.
- 고정 나사 (44) 에서 막대 (42) 를 풀고, 하부 안전반 (4) 을 다시 아래로 끼우십시오.
- 커버 플레이트 (45) 를 다시 고정 나사 (44) 아래쪽으로 미십시오.
- 고정 나사 (44) 및 (43) 를 다시 끼워 조입니다.
- 막대 (42) 를 원래 위치로 민 후 잠금 나사 (41) 를 다시 손으로 조이십시오.

작동

▶ 전동공구를 보수 정비하기 전에 반드시 콘센트에서 전원 플러그를 빼십시오.

운반 안전장치(그림 A 참조)

다른 장소에서 사용하기 위해 전동공구를 운반할 때 운반 안전장치 (30) 를 이용하여 수월하게 다룰 수 있습니다.

전동공구의 안전장치 풀기(작업 위치)

- 손잡이 (1) 에 있는 톱 암 (27) 을 아래쪽으로 눌러 운반 안전장치 (30) 를 푸십시오.
- 운반 안전장치 (30) 를 바깥쪽으로 끝까지 당기십시오.
- 톱 암 (27) 을 천천히 위로 올립니다.

전동공구 고정하기(운반 위치)

- 톱 암 (27) 을 완전히 뒤쪽으로 민 후 그 위치에 고정시키십시오.
- 운반 안전장치 (30) 가 완전히 안쪽으로 들어갈 때까지 톱 암을 아래쪽으로 이동시키십시오.

기타 지침: (참조 „운반(그림 Z 참조)“, 페이지 66)

툴 암 고정하기

툴 암 (27) 의 글라이딩 장치는 잠금 레버 (24) 로 고정할 수 있습니다. 이때 2가지의 툴 암 위치가 가능합니다:

- 툴 암을 완전히 뒤로 민 위치(절단 작업 시)
- 툴 암을 완전히 앞으로 당긴 위치(운송 시 위치)

툴 암 풀어주기(그림 B1 참조)

툴 암 (27) 을 풀어주면 글라이딩 장치를 완전히 사용할 수 있습니다.

- 잠금 레버 (24) 를 끝까지 아래로 누르십시오.
- 잠금 레버의 고정 홈은 툴 암의 양쪽 하부 연결 부위를 자유롭게 합니다.

툴 암 고정하기(그림 B2 참조)

툴 암을 완전히 뒤로 민 위치:

- 툴 암 (27) 을 뒤로 끝까지 밀니다.
- 이제 툴 암의 양쪽 상부 연결 부위가 수직으로 위치하며 잠긴 상태입니다.
- 고정 홈이 툴 암의 양쪽 하부 연결 부위 사이에 있게 될 때까지 잠금 레버 (24) 를 위로 당기십시오.

- 이렇게 하면 완전히 뒤로 밀려진 툴 암 (27) 이 고정됩니다.

툴 암을 완전히 앞으로 당긴 위치:

- 툴 암 (27) 을 앞으로 끝까지 당깁니다.
- 이제 글라이딩 장치가 완전히 나온 것입니다.
- 고정 홈이 툴 암의 양쪽 하부 연결 부위 사이에 있게 될 때까지 잠금 레버 (24) 를 위로 당기십시오.
- 이렇게 하면 완전히 앞으로 당겨진 툴 암 (27) 이 고정됩니다.

작업 준비

톱 테이블 연장하기(그림 C 참조)

긴 작업물의 경우 끝 부위를 받쳐 주어야 합니다.

톱 테이블은 톱 테이블 연장장치 (7) 를 사용하여 좌측 및 우측으로 연장할 수 있습니다.

- 잠금 레버 (50) 를 안쪽으로 젖히십시오.
- 원하는 길이에 맞춰 톱 테이블 연장장치 (7) 를 바깥쪽으로 당기십시오(최대 250 mm).
- 톱 테이블 연장장치를 고정시키려면 잠금 레버 (50) 를 다시 바깥쪽으로 누르십시오.

펜스 이동하기(그림 D-E 참조)

수평 그리고/또는 수직 마이터 각도 절단 시 절단 방향에 따라 좌측 또는 우측으로 위치 조절이 가능한 펜스 (5) 를 바깥쪽으로 당기거나 또는 완전히 제거하십시오.

수직 마이터 각도	수평 마이터 각도	
0°-47° (좌측)	≤ 44° (우측/좌측)	- 잠금 나사 (51) 를 푸십시오. - 좌측으로 위치 조절이 가능한 펜스 (5) 를 바깥쪽으로 끝까지 당기십시오.
0°-47° (좌측)	≥ 45° (우측/좌측)	- 잠금 나사 (51) 를 푸십시오. - 좌측으로 위치 조절이 가능한 펜스 (5) 를 바깥쪽으로 끝까지 당기십시오. - 위치 조절이 가능한 펜스를 위쪽으로 올려 빼내십시오. - 잠금 나사 (51) 를 제거하십시오.
0°-47° (우측)	≤ 44° (우측/좌측)	- 잠금 나사 (51) 를 푸십시오. - 우측으로 위치 조절이 가능한 펜스 (5) 를 바깥쪽으로 끝까지 당기십시오.
0°-47° (우측)	≥ 45° (우측/좌측)	- 위치 조절이 가능한 펜스를 위쪽으로 올려 빼내십시오.

툴 암의 제동 조절하기(그림 F 참조)

툴 암 (27) 의 글라이딩 장치는 공장 출시 시 사전 설정되어 있으며, 전동공구 공급 시 제동되어 있지 않습니다.

글라이딩 장치의 제동을 제동장치 (52) 에서 개별적으로 조절할 수 있습니다:

- 하드 - 조심스러운 작업 동작,
- 소프트 - 신속한 절단작업.
- **소프트** 제동을 원하면 2개의 세팅 나사 (53) 를 육각키 (mm) (16) 로 풀어 주거나
- 또는
- **하드** 제동을 원하면 2개의 세팅 나사 (53) 를 조이면 됩니다.

작업물 고정하기(그림 G 참조)

작업을 안전하게 실시하려면 작업물을 항상 단단히 고정해야 합니다.

크기가 너무 작아 고정하기 어려운 작업물에는 작업하지 마십시오.

- 작업물을 펜스 (6) 및 (5) 쪽으로 세게 누르십시오.
- 함께 공급된 순간 고정 클램프 (18) 를 이에 해당 하는 구멍 (54) 중 하나에 끼웁니다.
- 날개 나사 를 풀고 순간 고정 클램프를 작업물에 맞게 맞춥니다. 날개 나사를 다시 조입니다.
- 나사산 로드 (56) 를 단단히 조여 작업물을 고정시키십시오.

작업물 빼기

- 순간 고정 클램프를 풀려면 나사산 로드 (56) 를 시계 반대 방향으로 돌리면 됩니다.

수평 및 수직 마이터 각도 설정하기

▶ 전동공구를 보수 정비하기 전에 반드시 콘센트에서 전원 플러그를 빼십시오.

정밀한 절단 작업을 하려면 전동공구를 집중적으로 사용하고 나서 그 기본 세팅 사항을 확인해 보고 필요에 따라 다시 설정해야 합니다.

이 경우 경험이 있어야 하고 해당하는 특수공구가 필요합니다.

보쉬 지정 서비스 센터에서 작업을 올바르게 신속하게 처리합니다.

▶ 절단 작업을 하기 전에 항상 잠금 손잡이 (11) 를 꼭 조이십시오. 그렇지 않으면 톱날이 작업물에 걸릴 수 있습니다.

수평 마이터 각도 조절하기

수평 표준 마이터 각도 설정하기(그림 H 참조)
 자주 사용하는 수평 마이터 각도를 신속하고 정확하게 설정하기 위해 톱 테이블에 각도 표시 홈 (14) 이 설정되어 있습니다:

좌측	우측
0°	
45°, 31.6°, 22.5°, 15°	15°, 22.5°, 31.6°, 45°, 60°

- 잠금 손잡이 (11) 가 조여져 있으면 이를 푸십시오.

- 레버 (12) 를 당겨 원하는 각도 표시 홈이 나올 때까지 톱 테이블 (37) 을 좌측 또는 우측으로 돌리십시오.

- 레버에서 다시 손을 뗍니다. 이때 레버가 확실하게 표시 홈에 걸려야 합니다.

- 잠금 손잡이 (11) 를 다시 조이십시오.

다양한 수평 마이터 각도 설정하기(그림 I 참조)

수평의 마이터 각도는 (좌측) 52° ~ (우측) 60° 범위에서 조절할 수 있습니다.

- 잠금 손잡이 (11) 가 조여져 있으면 이를 푸십시오.

- 레버 (12) 를 당기고 동시에 잠금 브래킷 (10) 이 해당되는 홈에 맞물려 고정될 때까지 미십시오. 이를 통해 톱 테이블을 자유롭게 움직일 수 있습니다.

- 톱 테이블 (37) 을 각도 표시기 (57) 에 원하는 마이터 각도가 보일 때까지 잠금 손잡이 좌우로 돌리십시오.

- 잠금 손잡이 (11) 를 다시 조이십시오.

- (수평 표준 마이터 각도를 맞추기 위해) 레버 (12) 를 다시 풀려면, 레버를 위로 당기십시오. 잠금 브래킷 (10) 이 원래의 위치로 돌아가고, 레버 (12) 가 각도 표시 홈 (14) 에 다시 걸리게 됩니다.

수직 마이터 각도 조절하기

수직 마이터 각도는 (좌측) 47° ~ (우측) 47° 범위에서 조절할 수 있습니다.

자주 사용하는 마이터 각도를 신속하고 정확하게 설정하기 위해 각도 0°, 22.5°, 45° 및 47°의 스톱 위치가 미리 정해져 있습니다.

좌측 수직 마이터 각도 범위(45° ~ 0°) 조절하기



- 좌측으로 위치 조절이 가능한 펜스 (5) 를 바깥쪽으로 끝까지 당기십시오.

- 고정 레버 (13) 를 푸십시오.

- 손잡이 (27) (1) 에 있는 톱 암을 각도 표시기 (32) 원하는 수직 마이터 각도가 보일 때까지 왼쪽으로 돌리십시오.

- 톱 암 (27) 을 이 위치에 유지한 상태로 고정 레버 (13) 를 다시 조입니다.

고정 레버의 고정력은 다양한 수직 마이터 각도에서 톱 암의 위치를 안전하게 유지해야 합니다.

우측 수직 마이터 각도 범위(0°~45°) 조절하기(그림 J 참조)



- 우측으로 위치 조절이 가능한 펜스 (5) 를 바깥쪽으로 끝까지 당기십시오.

- 고정 레버 (13) 를 푸십시오.

- 손잡이 (1) 에 있는 톱 암 (27) 을 0° 위치에서 약간 좌측으로 기울인 상태에서, 원하는 마이터 각도 범위가 보일 때까지 노브 (38) 를 돌립니다.

- 손잡이 (1) 에 있는 톱 암 (27) 을 각도 표시기 (20) 에서 원하는 마이터 각도가 보일 때까지 우측으로 돌리십시오.

- 톱 암 (27) 을 이 위치에 유지한 상태로 고정 레버 (13) 를 다시 조입니다.

고정 레버의 고정력은 다양한 수직 마이터 각도에서 톱 암의 위치를 안전하게 유지해야 합니다.

수직 표준 마이터 각도 0° 조절하기

수직 표준 마이터 각도 0°를 약간만 다시 조절할 수 있도록, 노브 (38) 를 좌측 수직 마이터 각도 영역으로 고정하여 끼우십시오.

- 톱 암 (27) 을 우측에서 0° 위치 위쪽으로 젖히십시오.

전체 수직 마이터 각도 범위(-47° ~ +47°) 조절하기



- 위치 조절이 가능한 양쪽 펜스 (5) 를 완전히 바깥쪽으로 당기십시오.

- 고정 레버 (13) 를 푸십시오.

- 손잡이 (1) 에 있는 톱 암 (27) 을 0° 위치에서 약간 좌측으로 기울인 상태에서, 원하는 마이터 각도 범위가 보일 때까지 노브 (38) 를 돌립니다.

- 각도 표시기 (32) 또는 (20) 에 원하는 수직 마이터 각도가 보일 때까지 손잡이 (1) 에 있는 톱 암 (27) 을 좌측 또는 우측으로 움직입니다.

- 툴 암 (27) 을 이 위치에 유지한 상태로 고정 레버 (13) 를 다시 조입니다.
고정 레버의 고정력은 다양한 수직 마이터 각도에서 툴 암의 위치를 안전하게 유지해야 합니다.

수직 표준 마이터 각도 22.5° 조절하기(그림 K 참조)

노브 (33) 를 완전히 바깥쪽으로 당긴 후 90° 정도 회전시키십시오. 그리고 나서 손잡이 (1) 에 있는 툴 암 (27) 이 맞물려 고정되는 소리가 들릴 때까지 쫓아주세요.

기계 시동

- ▶ **전원의 전압에 유의하십시오! 공급되는 전원의 전압은 전동공구의 명판에 표기된 전압과 동일해야 합니다. 230 V 로 표시된 전동공구는 220 V 에서도 작동이 가능합니다.**

전원 켜기(그림 L 참조)

- 전동공구의 전원을 켜려면 먼저 시동 안전 잠금 장치 (2) 를 중앙으로 민 다음 전원 스위치 (58) 를 누른 후 누른 상태를 계속 유지하십시오.

지침: 작업 안전상의 이유로 전원 스위치 (58) 를 고정할 수 없으므로, 작동 중에 이를 계속 누르고 있어야 합니다.

전원 끄기

- 전원을 끄려면 전원 스위치 (58) 에서 손을 떼십시오.

시동 전류 제한장치

전자식 시동 전류 제한장치는 전동공구의 스위치를 켤 때 그 성능을 제한하여, 16 A 퓨즈를 사용하면 충분합니다.

지침: 전동공구의 스위치를 켤 때 즉시 최고 속도로 작동하면 시동 전류 제한장치가 고장입니다. 전동공구를 즉시 서비스 센터에 보내십시오, "고객 서비스 및 사용 안내" 단락에 나온 주소 참조.

사용방법

절단기에 관한 일반 사항

- ▶ **절단 작업을 하기 전에 항상 잠금 손잡이 (11) 및 고정 레버 (13) 를 꼭 조이십시오.** 그렇지 않으면 툴날이 작업물에 걸릴 수 있습니다.
- ▶ **절단 작업을 할 때 항상 툴날이 펜스, 순간 고정 클램프 혹은 기기의 다른 부위에 닿지 않도록 항상 주의해야 합니다.** 경우에 따라 조립된 보조 스토퍼를 제거하거나 조정하십시오.

툴날에 충격을 주거나 힘을 가하지 마십시오. 측면에서 툴날에 압력을 가하지 마십시오.

**작업물 허용 크기
최대 작업물 크기:**

수평 마이터 각 수직 마이터 각		높이 x 폭 [mm]	
도	도	펜스에 있는 작업물	스페이서(액세서리)에 있는 작업물
0°	0°	104 x 341	110 x 240
45°	0°	104 x 240	110 x 110

휘어진 작업물에 작업하지 마십시오. 반드시 작업물은 펜스에 닿을 수 있도록 직선의 모서리가 있어야 합니다.

길고 무거운 작업물에 작업할 경우, 과적되지 않은 끝부분의 아래쪽을 받쳐 주어야 합니다.

하부 안전반이 제대로 작동하는지 그리고 자유로이 움직이는지 확인해 보십시오. 툴 암을 아래쪽으로 끼울 때, 하부 안전반이 열려야 합니다. 툴 암을 위쪽으로 끼울 때, 하부 안전반이 툴날 위쪽에서 다시 닫히고 툴 암의 최상단 위치에 고정되어야 합니다. 규정에 따른 사용에 나와있는 작업 소재에만 사용하십시오.

절단선 표시하기(그림 M 참조)

2개의 레이저빔은 툴날의 절단 너비를 표시하기 때문에 절단 작업 시 하부 안전반을 열지 않고도 작업물을 정확하게 위치시킬 수 있습니다.

- 스위치 (59) 를 통해 레이저빔의 전원을 켜십시오.
- 작업물의 표시가 2개의 레이저 선 사이에 있도록 맞추십시오.

지침: 절단 작업을 하기 전에 절단 폭이 정확하게 표시되어 있는지 확인하십시오.레이저 조정하기. 레이저빔은 집중적으로 사용할 때 진동 등으로 인해 위치가 바뀔 수 있습니다.

작업자의 위치(그림 N 참조)

- ▶ **툴날과 일직선으로 전동공구 앞쪽에 서지 말고, 항상 툴날에 비스듬히 옆으로 서십시오.** 이렇게 하면 반동이 생길 경우에 대비할 수 있습니다.
- 손, 손가락, 팔을 회전하는 툴날 가까이에 두지 마십시오.
- 툴 암 (27) 에서 양팔이 교차하지 않도록 하십시오.

작업 표면 보호대 교환하기(그림 O 참조)

전동공구를 장기간 사용하면 적색 작업 표면 보호대 (9) 가 마모될 수 있습니다.

- 손상된 작업 표면 보호대를 교환하십시오.
- 전동공구를 작업 위치로 둡니다.
- 나사 (60) 를 육각키(4 mm) (16) 로 풀고 나서 오래된 작업 표면 보호대를 빼내십시오.
- 새로운 오른쪽 작업 표면 보호대를 끼웁니다.
- 작업 표면 보호대는 볼트 (60) 를 이용해 최대한 우측으로 체결하여 움직일 수 있는 전체 길이에 툴날이 작업 표면 보호대에 닿지 않게 하십시오.
- 새로운 왼쪽 작업 표면 보호대도 마찬가지로 방법으로 교환하십시오.

수평 마이터 각		높이 x 폭 [mm]	
도	도	펜스에 있는 작업물	스페이서(엑세서리)에 있는 작업물
0°	45° (좌측)	51 x 341	51 x 295
0°	45° (우측)	38 x 341	38 x 295
45°	45° (좌측)	51 x 240	51 x 200
45°	45° (우측)	38 x 240	38 x 200

최소 작업물 (= 함께 공급된 순간 고정 클램프 (18) 를 이용해 톱날의 좌측 또는 우측에 고정할 수 있는 모든 작업물): 160 x 335 mm (길이 x 폭)

최대 절단 깊이(0°/0°): 104 mm

톱 작업

▶ 절단 작업을 하기 전에 항상 잠금 손잡이 (11) 및 고정 레버 (13) 를 꼭 조이십시오. 그렇지 않으면 톱날이 작업물에 걸릴 수 있습니다.

측면 이동 없이 톱질하기(절단하기)(그림 P 참조)

- 톱 암 (27) 을 완전히 뒤쪽으로 민 후 그 위치에 서 고정시키십시오.
- 깊이 조절자 (29) 가 완전히 안쪽 끝까지 들어가 있는지, 톱 암을 움직일 때 조정 나사 (28) 가 깊이 조절자에 닿지 않고 파인 곳 안으로 관통하여 잘 맞는지 확인해 보십시오.
- 작업물을 크기에 맞게 고정하십시오.
- 필요에 따라 원하는 각도(수평 그리고/또는 수직)로 조절하십시오.
- 전동공구의 스위치를 켜십시오.
- 손잡이 (1) 를 이용하여 톱 암 (27) 을 서서히 아래쪽으로 움직입니다.
- 일정한 속도로 작업물에 절단작업을 하십시오.
- 전동공구의 스위치를 끄고 나서 톱날이 완전히 정지할 때까지 기다립니다.
- 톱 암 (27) 을 천천히 위로 올립니다.

측면 이동을 이용한 톱 작업(그림 Q 참조)

▶ 스위치를 켜기 전에 그리고 절단작업 중 내내 손잡이를 꼭 잡고 계십시오. 톱 암을 조심스러운 동작으로 움직여 절단작업을 실시하십시오. 잠시라도 주의를 기울이지 않으면 극도로 가볍게 움직이는 톱 암으로 인해 중상을 입을 수 있습니다.

- 톱 암 (27) 을 풀어주십시오.
- 톱 암 (27) 을 당기고 밀어보면서 글라이딩 장치 가 완벽하게 작동하는지 확인해 보십시오.
- 작업물을 크기에 맞게 고정하십시오.
- 필요에 따라 원하는 각도(수평 그리고/또는 수직)로 조절하십시오.
- 톱날이 작업물 앞에 있을 때까지 손잡이 (1) 를 이용하여 톱 암 (27) 을 펜스 (6) 에서 멀리 당기십시오.
- 전동공구의 스위치를 켜십시오.
- 손잡이 (1) 를 이용하여 톱 암 (27) 을 서서히 아래쪽으로 움직입니다.
- 이제 톱 암 (27) 을 펜스 (6) 방향으로 누르고 균일한 이송 속도로 가공물을 절단하십시오.
- 전동공구의 스위치를 끄고 나서 톱날이 완전히 정지할 때까지 기다립니다.

- 톱 암 (27) 을 천천히 위로 올립니다.

동일한 길이의 작업물 절단하기(그림 R 참조)

작업물의 길이가 동일하게 절단하려면 길이 조절자 (35) (엑세서리)를 사용할 수 있습니다.

톱 테이블 연장장치 (7) 의 양쪽 면에 길이 조절자를 설치할 수 있습니다.

- 고정 나사 (34) 를 풀고 길이 조절자 (35) 를 클램핑 나사 (61) 위쪽으로 젖히십시오.
- 잠금 나사 (34) 를 다시 꼭 조입니다.
- 톱 테이블 연장장치 (7) 를 원하는 길이로 조정하십시오.

깊이 조절자 조절하기(홈 절단하기)(그림 S 참조)

홈파기 작업을 하거나 스페이서를 사용하고자 할 때 깊이 조절자를 조절해야 합니다.

- 깊이 조절자 (29) 를 바깥쪽으로 젖히십시오.
- 손잡이 (1) 에서 톱 암 (27) 을 원하는 위치로 움직이십시오.
- 나사 끝부위가 깊이 조절자 (29) 에 닿을 때까지 조정 나사 (28) 를 돌립니다.
- 톱 암 (27) 을 천천히 위로 올립니다.



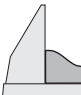

특수한 작업물

휘어지거나 둥근 형태의 작업물을 절단할 경우 특히 미끄러지지 않도록 주의해야 합니다. 절단선에 작업물, 펜스 그리고 톱 테이블 사이에 조금의 틈도 있어서는 안 됩니다.

필요에 따라 특수한 고정대를 만들어야 합니다.

프로파일 몰딩 작업하기

프로파일 몰딩은 두 가지 방법으로 작업할 수 있습니다:

작업물의 위치	바닥 몰딩	천장 몰딩
- 펜스에 대고 고정해서		
- 톱 테이블에 평평하게 누어서		

또한 프로파일 몰딩의 너비에 따라 측면 이동을 하거나 하지 않으면서 절단할 수 있습니다.

(수평 그리고/또는 수직) 마이터 각도를 설정하고 나서 우선 쓸모 없는 목재에 시험해 보십시오.

기본 세팅 확인 및 조절하기

정밀한 절단 작업을 하려면 전동공구를 집중적으로 사용하고 나서 그 기본 세팅 사항을 확인해 보고 필요에 따라 다시 설정해야 합니다.

이 경우 경험이 있어야 하고 해당하는 특수공구가 필요합니다.

보쉬 지정 서비스 센터에서 작업을 올바르게 신속하게 처리합니다.

레이저 조절하기

지침: 레이저 기능을 테스트하려면 전동공구를 전원에 연결해야 합니다.

▶ **(툴 암이 움직일 경우 등) 레이저를 조정하는 동안 절대로 전원 스위치를 켜지 마십시오.** 전동공구가 실수로 작동하게 되면 상해를 입을 수 있습니다.

- 전동공구를 작업 위치로 둡니다.
- 0° 각도 표시 홈 (14) 이 나올 때까지 톱 테이블 (37) 을 좌측 또는 우측으로 돌리십시오. 이때 레버 (12) 가 확실히 표시 홈에 걸려야 합니다.

확인하기(그림 T1 참조)

- 작업물에 직선으로 절단선을 그립니다.
- 손잡이 (1) 를 이용하여 톱 암 (27) 을 서서히 아래쪽으로 움직입니다.
- 톱날의 톱니가 절단선과 일직선이 되도록 작업물을 맞추십시오.
- 작업물을 이 위치에서 꼭 잡은 상태에서 톱 암을 천천히 다시 위로 움직입니다.
- 작업물을 제대로 고정하십시오.
- 스위치 (59) 를 통해 레이저빔의 전원을 켜십시오.

레이저빔은 톱 암이 아래로 움직여도 작업물에 그려진 절단선과의 간격이 전체 길이에서 왼쪽과 오른쪽으로 간격이 동일해 합니다.

레이저 보호캡 제거하기(그림 T2 참조)

- 레이저 보호캡 (26) 의 2개의 나사 (62) 를 육각키(4 mm) (16) 로 풀어주십시오.

지침: 레이저 보호캡의 앞쪽 나사에 닿으려면, 육각키를 하부 안전반의 틈새에 끼울 수 있을 때까지 톱 암을 약간 아래로 움직여야 합니다.

일직선으로 맞추기(그림 T3 참조)

- 레이저 보호캡 (26) 을 제거하십시오.

1. 오른쪽 레이저빔 설정:

- 뒤쪽 세팅 나사 (63) 를 육각키 (17) 로 돌려서 오른쪽 레이저빔 전체 길이가 작업물에 표시된 절단선과 평행이 되도록 합니다.
- 이때 왼쪽 레이저빔도 같이 이동합니다.

시계 반대 방향으로 돌리면 레이저빔이 왼쪽에서 오른쪽으로, 시계 방향으로 돌리면 레이저빔이 오른쪽에서 왼쪽으로 움직입니다.

2. 왼쪽 레이저빔 설정:

- 앞쪽 세팅 나사 (63) 를 육각키 ((17) 로 돌려서, 왼쪽 레이저빔과 작업물에 표시된 절단선의 간격

이 오른쪽 레이저빔과의 간격과 동일하게 합니다.

시계 반대 방향으로 돌리면 레이저빔이 왼쪽에서 오른쪽으로, 시계 방향으로 돌리면 레이저빔이 오른쪽에서 왼쪽으로 움직입니다.

- 레이저 보호캡 (26) 을 다시 고정시키십시오.

평행으로 맞추기(그림 T4 참조)

- 레이저 보호캡 (26) 을 제거하십시오.
- 고정 나사 (64) 를 육각키 (17) 로 (약 1-2번 돌려) 풀니다. 나사를 완전히 빼지 마십시오.
- 레이저빔이 전체 구간에서 작업물에 그려진 절단선과 평행이 될 때까지 레이저의 조립판을 좌우로 미십시오.
- 레이저의 조립판을 이 위치에 둔 상태에서 고정 나사 (64) 를 다시 조입니다.
- 조절하고 난 후에 절단선과 일직선을 이루는지 다시 한번 확인해 보십시오. 경우에 따라 레이저빔을 세팅 나사들 (63) 로 다시 조절하십시오.
- 레이저 보호캡 (26) 을 다시 고정시키십시오.

톱 암이 움직일 때 생기는 측면 오차 조절하기(그림 T5 참조)

- 레이저 보호캡 (26) 을 제거하십시오.
- 양쪽의 고정 나사 (65) 를 육각키 (17) 로 (약 1-2번 돌려) 풀니다.
- 나사를 완전히 빼지 마십시오.
- 톱 암을 아래로 움직일 때 레이저빔이 옆으로 벗어날지 않을 때까지 레이저 하우징을 좌우로 밀어줍니다.
- 조절하고 난 후에 절단선과 일직선을 이루는지 다시 한번 확인해 보십시오. 경우에 따라 레이저빔을 세팅 나사들 (63) 로 다시 조절하십시오.
- 레이저의 하우징을 이 위치에 둔 상태에서 고정 나사 (65) 를 다시 조입니다.
- 레이저 보호캡 (26) 을 다시 고정시키십시오.

수직 표준 마이터 각도 0° 조절하기

- 전동공구를 운반할 때의 위치로 놓습니다.
- 0° 각도 표시 홈 (14) 이 나올 때까지 톱 테이블 (37) 을 좌측 또는 우측으로 돌리십시오. 이때 레버 (12) 가 확실히 표시 홈에 걸려야 합니다.

확인하기(그림 U1 참조)

- 각도 게이지를 90° 에 맞추고, 톱 테이블 (37) 상에 놓습니다.

각도 게이지의 암이 전체 길이에 걸쳐 톱날 (39) 과 정확히 맞아야 합니다.

조절하기(그림 U2 참조)

- 고정 레버 (13) 를 푸십시오.
- 양쪽 세팅 나사 (66) 를 소켓 스페너(10 mm)로 (최소 1바퀴 이상 돌려) 풀어줍니다.
- 세팅 나사 (68) 를 육각키(4 mm) (16) 로 (약 3번 돌려) 풀니다.
- 각도기 끝면이 톱날과 전체 구간에서 일직선상에 놓일 때까지 세팅 나사 (67) 를 육각키(4 mm) (16) 로 조이거나 혹은 풀어줍니다.

- 고정 레버 (13) 를 다시 당겨 고정시킵니다. 그런 다음 먼저 세팅 나사 (68) 를 조인 후 세팅 나사 (66) 도 다시 조입니다.

각도 표시기 (32) 및 (20) 가 조절 후에도 눈금 (31) 의 0° 표시와 일치하지 않을 경우, 각도 표시기의 고정 나사들을 십자형 스크류 드라이버로 풀고 나서 각도 표시기를 0° 표시대로 맞추십시오.

수직 표준 마이어 각도 (좌측) 45° 조절하기

- 전동공구를 작업 위치로 둡니다.
- 0° 각도 표시 홈 (14) 이 나올 때까지 톱 테이블 (37) 을 좌측 또는 우측으로 돌리십시오. 이때 레버 (12) 가 확실하게 표시 홈에 걸려야 합니다.
- 좌측으로 위치 조절이 가능한 펜스 (5) 를 바깥쪽으로 끝까지 당기십시오.
- 고정 레버 (13) 를 풀고, 손잡이 (1) 에 있는 톱 암을 왼쪽으로 끝까지 움직이십시오(45°).

확인하기(그림 V1 참조)

- 각도 게이지를 45° 에 맞추고, 톱 테이블 (37) 상에 놓습니다.

각도 게이지의 암이 전체 길이에 걸쳐 톱날 (39) 과 정확히 맞아야 합니다.

조절하기(그림 V2 참조)

- 각도가 끝면이 톱날과 전체 구간에서 일직선상에 놓일 때까지 세팅 나사 (69) 를 양구 스페너 (8 mm)로 조이거나 혹은 풀어 줍니다.

- 고정 레버 (13) 를 다시 당겨 고정시킵니다.
- 각도 표시기 (32) 및 (20) 가 조절 후에도 눈금 (31) 의 45° 표시와 일치하지 않을 경우, 우선 마이어 각도와 각도 표시기의 0° 설정이 제대로 되었는지 확인해 보십시오. 그리고 나서 45° 수직 마이어 각도의 조절을 반복하십시오.

수직 표준 마이어 각도 (우측) 45° 조절하기

- 전동공구를 작업 위치로 둡니다.
- 0° 각도 표시 홈 (14) 이 나올 때까지 톱 테이블 (37) 을 좌측 또는 우측으로 돌리십시오. 이때 레버 (12) 가 확실하게 표시 홈에 걸려야 합니다.
- 우측으로 위치 조절이 가능한 펜스 (5) 를 바깥쪽으로 끝까지 당기십시오.
- 고정 레버 (13) 를 푸십시오.

- 손잡이 (1) 에 있는 톱 암을 0° 위치에서 약 45° 좌측으로 기울인 상태에서, 우측 수직 마이어 각도 범위가 보일 때까지 노브 (38) 를 돌립니다.

- 손잡이 (1) 에 있는 톱 암을 오른쪽으로 끝까지 돌리십시오(45°).

확인하기(그림 W1 참조)

- 각도 게이지를 135° 에 맞추고, 톱 테이블 (37) 상에 놓습니다.

각도 게이지의 암이 전체 길이에 걸쳐 톱날 (39) 과 정확히 맞아야 합니다.

조절하기(그림 W2 참조)

- 각도가 끝면이 톱날과 전체 구간에서 일직선상에 놓일 때까지 세팅 나사 (70) 를 양구 스페너 (8 mm)로 조이거나 혹은 풀어 줍니다.
- 고정 레버 (13) 를 다시 당겨 고정시킵니다.

각도 표시기 (32) 및 (20) 가 조절 후에도 눈금 (31) 의 45° 표시와 일치하지 않을 경우, 우선 마이어 각도와 각도 표시기의 0° 설정이 제대로 되었는지 확인해 보십시오. 그리고 나서 45° 수직 마이어 각도의 조절을 반복하십시오.

수평의 마이어 각도용 눈금 맞추기

- 전동공구를 작업 위치로 둡니다.
- 0° 각도 표시 홈 (14) 이 나올 때까지 톱 테이블 (37) 을 좌측 또는 우측으로 돌리십시오. 이때 레버 (12) 가 확실하게 표시 홈에 걸려야 합니다.

확인하기(그림 X1 참조)

- 각도 게이지를 90° 에 맞추고, 펜스 (6) 와 톱날 (39) 사이의 톱 테이블 (37) 상에 놓습니다.

각도 게이지의 암이 전체 길이에 걸쳐 톱날 (39) 과 정확히 맞아야 합니다.

조절하기(그림 X2 참조)

- 육각키 (4 mm)를 이용하여 4개의 세팅 나사 (71) (16) 를 모두 풀고, 톱 테이블 (37) 을 눈금 (36) 을 이용하여 각도 게이지의 암이 전 길이에 걸쳐 톱날과 일치할 때까지 돌려줍니다.

- 볼트를 다시 꼭 조입니다.

조정 후 각도 표시기 (57) 가 눈금 (36) 의 0° 표시와 일치하지 않을 경우, 십자 스크류 드라이버를 이용하여 나사 (72) 를 풀고 각도 표시기를 0° 표시에 맞춰 정렬하십시오.

고정 레버 (13) 의 고정력 조절하기(그림 Y 참조)

고정 레버 (13) 의 고정력은 재조절이 가능합니다.

확인하기

- 고정 레버의 고정력은 다양한 수직 마이어 각도에서 톱 암의 위치를 안전하게 유지해야 합니다.

조절하기

- 고정 레버 (13) 를 푸십시오.
- 고정력을 줄려면 세팅 나사 (73) 를 소켓 스페너 (17 mm) 로 시계 반대 방향으로 돌리고, 고정력을 높이려면 시계 방향으로 돌리십시오.
- 수직의 마이어 각도를 맞추고 고정 레버 (13) 를 다시 조이고 난 후, 원하는 고정력으로 되었던지 확인해 보십시오.

운반(그림 Z 참조)

전동공구를 운반하기 전에 다음의 조치를 취해야 합니다:

- 톱 암 (27) 을 완전히 뒤쪽으로 민 후 그 위치에서 고정시킵니다.
- 깊이 조절자 (29) 가 완전히 안쪽 끝까지 들어가지 있는지, 톱 암을 움직일 때 조정 나사 (28) 가 깊이 조절자에 닿지 않고 파인 조 안으로 관통하여 잘 맞는지 확인해 보십시오.
- 운반 안전장치 (30) 가 안쪽 끝까지 들어갈 때까지 톱 암을 아래쪽으로 이동시킵니다.
- 톱 테이블 연장장치 (7) 를 안쪽으로 완전히 밀어 넣습니다.
- 수직의 마이어 각도를 0°로 맞추고 고정 레버 (13) 를 조이십시오.

- 톱 테이블 (37) 을 왼쪽으로 끝까지 돌리고 나서 잠금 손잡이 (11) 를 조이십시오.
- 벨크로 스트랩 (74) 을 이용하여 전원 케이블을 묶어 두십시오.
- 전동공구에 고정되어 있지 않은 모든 액세서리 부품을 빼십시오.
- 사용하지 않는 톱날들은 운반할 때 가능하면 케이스에 넣어 잠가 두십시오.
- 운반을 위해 톱 테이블 측면으로 홈 파인 잡는 부위 (15) 쪽을 잡으십시오.
- ▶ 전동공구를 운반할 때는 운반용 장치만 사용해야 하며, 어떠한 경우에도 보호 장치, 톱 암 또는 손잡이를 사용하지 마십시오.

보수 정비 및 서비스

보수 정비 및 유지

- ▶ 전동공구를 보수 정비하기 전에 반드시 콘센트에서 전원 플러그를 빼십시오.
- ▶ 안전하고 올바른 작동을 위하여 전동공구와 전동공구의 통풍구를 항상 깨끗이 하십시오.

연결 코드를 교환해야 할 경우 안전을 기하기 위해 Bosch 또는 Bosch 지정 전동공구 서비스 센터에 맡겨야 합니다.

하부 안전반은 항상 자유로이 움직이고 저절로 닫힐 수 있어야 합니다. 그렇기 때문에 하부 안전반 주위를 항상 깨끗이 해야 합니다.

- 작업을 진행한 후 항상 브러시를 사용하여 분진과 톱밥을 제거하십시오.
- 롤러 (19) 및 톱 암 (27) 을 정기적으로 닦아 주십시오.

별매 액세서리

	제품 번호
순간 고정 클램프	1 609 B06 203
작업 표면 보호대	1 609 B04 470
먼지 백	1 609 B05 010
공구 연동 어댑터	2 607 001 977
절단기 스탠드 GTA 2500 W	0 601 B12 100
절단기 스탠드 GTA 3800	0 601 B24 000
목재용 진공 청소기 GAS 35 M AFC	0 601 9C3 100
목재, 판 소재 및 패널용 톱날	
톱날 305 x 25.4 mm, 60개 톱날	2 608 640 914
플라스틱 및 비철금속용 톱날	
톱날 305 x 25.4 mm, 96개 톱날	2 608 642 205
톱날 305 x 25.4 mm, 96개 톱날	2 608 642 206

AS 센터 및 사용 문의

AS 센터에서는 귀하 제품의 수리 및 보수정비, 그리고 부품에 관한 문의를 받고 있습니다. 대체 부품에 관한 분해 조립도 및 정보는 인터넷에서도 찾아볼 수 있습니다 - www.bosch-pt.com

보수 사용 문의 팀에서는 보수의 제품 및 해당 액세서리에 관한 질문에 기꺼이 답변 드릴 것입니다. 문의나 대체 부품 주문 시에는 반드시 제품 네임 플레이트에 있는 10자리의 부품번호를 알려 주십시오.

콜센터
080-955-0909

처리

기기와 액세서리 및 포장 등은 환경 친화적인 방법으로 재활용 수 있도록 분류하십시오.



전동공구를 가정용 쓰레기로 처리하지 마십시오!

ไทย

คำเตือนเพื่อความปลอดภัย

คำเตือนเพื่อความปลอดภัยทั่วไปในการใช้เครื่องมือไฟฟ้า

⚠ คำเตือน อ่านคำเตือนเพื่อความปลอดภัย คำแนะนำ ภาพประกอบ และข้อมูลจำเพาะทั้งหมดที่จัดส่งมาพร้อมกับเครื่องมือไฟฟ้า การไม่ปฏิบัติตามคำแนะนำทั้งหมดที่ระบุไว้ด้านล่างนี้อาจทำให้ถูกไฟฟ้าดูด เกิดไฟไหม้ และ/หรือได้รับบาดเจ็บอย่างร้ายแรง

เก็บรักษาคำเตือนและคำสั่งทั้งหมดสำหรับเปิดอ่านในภายหลัง

คำว่า "เครื่องมือไฟฟ้า" ในคำเตือนหมายถึง เครื่องมือไฟฟ้าของท่านที่ทำงานด้วยพลังงานไฟฟ้าจากแหล่งจ่ายไฟหลัก (มีสายไฟฟ้า) และเครื่องมือไฟฟ้าที่ทำงานด้วยพลังงานไฟฟ้าจากแบตเตอรี่ (ไร้สาย)

ความปลอดภัยในสถานที่ทำงาน

- ▶ รักษาสถานที่ทำงานให้สะอาดและมีไฟส่องสว่างดี สถานที่ที่มีมืดหรืออครุงังนำมาซึ่งอุบัติเหตุ
- ▶ อย่าใช้เครื่องมือไฟฟ้าทำงานในสภาพบรรยากาศที่จุดติดไฟได้ เช่น ในที่ที่มีของเหลวไวไฟ ก๊าซ หรือฝุ่นเมื่อใช้เครื่อง

มือไฟฟ้าจะเกิดประกายไฟซึ่งอาจจุดฝุ่นหรือไอให้ลุกเป็นไฟได้

- ▶ **ขณะใช้เครื่องมือไฟฟ้าทำงาน** ต้องกันเด็กและผู้ยื่นคู่มือให้ออกห่าง
การหันเหความสนใจอาจทำให้ท่านขาดการควบคุมเครื่องไ้

ความปลอดภัยเกี่ยวกับไฟฟ้า

- ▶ **ปลั๊กของเครื่องมือไฟฟ้าต้องเหมาะสมพอดีกับเต้าเสียบ** อย่าตัดแปลงปลั๊กไม่ว่าในลักษณะใดๆ อย่างเด็ดขาด อย่าใช้ปลั๊กพ่วงต่อใดๆ กับเครื่องมือไฟฟ้าที่มีสายดิน ปลั๊กที่ไม่ตัดแปลงและเต้าเสียบที่เข้ากันช่วยลดความเสี่ยงจากการถูกไฟฟ้าดูด
- ▶ **หลีกเลี่ยงอย่าให้ร่างกายสัมผัสกับพื้นผิวที่ต่อสายดินหรือ** **ลวงกราวด์ไว้** เช่น ท่อ เครื่องทำความร้อน เตา และตู้เย็น จะเสี่ยงอันตรายจากการถูกไฟฟ้าดูดมากขึ้นหากกระแสไฟฟ้าวิ่งผ่านร่างกายของท่านลงดิน
- ▶ **อย่าให้เครื่องมือไฟฟ้าถูกฝนหรืออยู่ในสภาพเปียกชื้น** หากน้ำเข้าในเครื่องมือไฟฟ้า จะเพิ่มความเสี่ยงจากการถูกไฟฟ้าดูด
- ▶ **อย่าใช้สายไฟฟ้าในทางที่ผิด** อย่าใช้สายไฟฟ้าเพื่อยก ดึง หรือถอดปลั๊กเครื่องมือไฟฟ้า กันสายไฟฟ้าออกจากความร้อน น้ำมัน ขอบแหลมคม หรือชิ้นส่วนที่เคลื่อนที่ สายไฟฟ้าที่ชำรุดหรือพันกันยุ่งเพิ่มความเสี่ยงจากการถูกไฟฟ้าดูด
- ▶ **เมื่อใช้เครื่องมือไฟฟ้าทำงานกลางแจ้ง** ให้ใช้สายไฟต่อที่เหมาะสมสำหรับงานกลางแจ้ง การใช้สายไฟต่อที่เหมาะสมสำหรับงานกลางแจ้ง ช่วยลดอันตรายจากการถูกไฟฟ้าดูด
- ▶ **หากไม่สามารถหลีกเลี่ยงการใช้เครื่องมือไฟฟ้าทำงาน** **ในสถานที่เปียกชื้นได้ ให้ใช้สวิตช์ตัดวงจรเมื่อเกิดการรั่วไหลของไฟฟ้าจากสายดิน (RCD)** การใช้สวิตช์ตัดวงจรเมื่อเกิดการรั่วไหลของไฟฟ้าจากสายดินช่วยลดความเสี่ยงต่อการถูกไฟฟ้าดูด

ความปลอดภัยของบุคคล

- ▶ **ท่านต้องอยู่ในสภาพเตรียมพร้อม ระมัดระวังในสิ่งที่** **ท่านกำลังทำอยู่ และมีสติขณะใช้เครื่องมือไฟฟ้าทำงาน** อย่าใช้เครื่องมือไฟฟ้าขณะที่ท่านกำลังเหนื่อย หรืออยู่ภายใต้การครอบงำของฤทธิ์ของยาเสพติด แอลกอฮอล์ และยา เมื่อใช้เครื่องมือไฟฟ้าทำงาน ในช่วงเวลาที่ท่านขาดความเอาใจใส่อาจทำให้บุคคลบาดเจ็บอย่างรุนแรงได้
- ▶ **ใช้อุปกรณ์ปกป้องร่างกาย** สวมแว่นตาป้องกันเสมอ อุปกรณ์ปกป้อง เช่น หน้ากากกันฝุ่น รองเท้ากันลื่น หมวก

แข็ง หรือประกบหูกันเสียงดังที่ใช้ตามความเหมาะสมกับสภาพการทำงาน จะลดการบาดเจ็บทางร่างกาย

- ▶ **ป้องกันการติดเครื่องโดยไม่ได้ตั้งใจ** ตรวจสอบให้แน่ใจว่าสวิตช์อยู่ในตำแหน่งปิดก่อนเชื่อมต่อเข้ากับแหล่งจ่ายไฟ และ/หรือแบตเตอรี่แพ็ค ยกหรือถือเครื่องมือถือเครื่องโดยใช้นิ้วหัวที่สวิตช์ หรือเสียบปลั๊กไฟฟ้าขณะสวิตช์เปิดอยู่ อาจนำไปสู่อุบัติเหตุที่ร้ายแรงได้
- ▶ **นำเครื่องมือปรับแต่งหรือประแจปากคายนอกก่อนเปิด** **สวิตช์เครื่องมือไฟฟ้า** เครื่องมือหรือประแจปากคายนี้อาจอยู่กับส่วนหนึ่งของเครื่องที่กำลังหมุนจะทำให้บุคคลบาดเจ็บได้
- ▶ **อย่าเอื้อมไกลเกินไป** ตั้งท่าโยนที่มั่นคงและวางน้ำหนักให้สมดุลตลอดเวลา ในลักษณะนี้ท่านสามารถควบคุมเครื่องมือไฟฟ้าในสถานการณ์ที่ไม่คาดคิดได้ดีกว่า
- ▶ **แต่งกายอย่างเหมาะสม** อย่าใส่เสื้อผ้าหลวมหรือสวมเครื่องประดับ เหน็บและเสื้อห้อยออกจากชิ้นส่วนที่เคลื่อนที่ เสื้อผ้าหลวม เครื่องประดับ และผมยาวอาจเข้าไปติดในชิ้นส่วนที่เคลื่อนที่
- ▶ **หากเครื่องมือไฟฟ้ามีข้อเชื่อมต่อกับเครื่องดูดฝุ่นหรือเครื่องเก็บผง ให้ตรวจสอบให้แน่ใจว่าได้เชื่อมต่อและใช้งานอย่างถูกต้อง** การใช้อุปกรณ์ดูดฝุ่นช่วยลดอันตรายที่เกิดจากฝุ่นได้
- ▶ **เมื่อใช้งานเครื่องมือขยครั้งจะเกิดความคุ้นเคย** อย่าให้ความคุ้นเคยทำให้ท่านเกิดความชะล่าใจและละเลยกฎเกณฑ์ด้านความปลอดภัยในการใช้งานเครื่อง การทำงานอย่างไม่ระมัดระวังอาจทำให้เกิดการบาดเจ็บอย่างร้ายแรงภายในเสี้ยววินาที

การใช้และการดูแลรักษาเครื่องมือไฟฟ้า

- ▶ **อย่างฝืนกำลังเครื่องมือไฟฟ้า** ใช้เครื่องมือไฟฟ้าที่ถูกต้องตรงตามลักษณะงานของท่าน เครื่องมือไฟฟ้าที่ถูกต้องจะทำงานได้ดีกว่าและปลอดภัยกว่าในระดับสมรรถภาพที่ออกแบบไว้
- ▶ **อย่าใช้เครื่องมือไฟฟ้าถ้าสวิตช์ไม่สามารถเปิดปิดได้** เครื่องมือไฟฟ้าที่ไม่สามารถควบคุมการเปิดปิดด้วยสวิตช์ได้ เป็นเครื่องมือไฟฟ้าที่ไม่ปลอดภัยและต้องส่งซ่อมแซม
- ▶ **ก่อนปรับแต่งเครื่อง เปลี่ยนอุปกรณ์ประกอบ หรือเก็บเครื่องเข้าที่** ต้องถอดปลั๊กออกจากแหล่งจ่ายไฟ และ/หรือถอดแบตเตอรี่แพ็คออกจากเครื่องมือไฟฟ้าหากถอดออกได้
มาตรการป้องกันเพื่อความปลอดภัยนี้ช่วยลดความเสี่ยงจากการติดเครื่องโดยไม่ได้ตั้งใจ
- ▶ **เมื่อเลิกใช้งานเครื่องมือไฟฟ้า ให้เก็บเครื่องไว้ในที่ที่** **เด็กหยิบไม่ถึง และไม่อนุญาตให้บุคคลที่ไม่คุ้นเคยกับ**

เครื่องหรือบุคคลที่ไม่ได้อ่านคำแนะนำเหล่านี้ใช้เครื่อง เครื่องมือไฟฟ้าเป็นของอันตรายหากตกอยู่ในมือของผู้ใช้ที่ไม่ได้รับการฝึกฝน

- ▶ บำรุงรักษาเครื่องมือไฟฟ้าและอุปกรณ์ประกอบ ตรวจสอบชิ้นส่วนที่เคลื่อนที่ว่าว่าง ไม่ตรงแนวหรือติดขัดหรือไม่ ตรวจสอบการแตกหักของชิ้นส่วนและสภาพอื่นใดที่อาจมีผลต่อการทำงานของเครื่องมือไฟฟ้า หากชำรุดต้องส่งเครื่องมือไฟฟ้าไปซ่อมแซมก่อนใช้งาน อุบัติเหตุหลายอย่างเกิดขึ้นเนื่องจากดูแลรักษาเครื่องไม่ดีพอ
- ▶ รักษาเครื่องมือตัดให้คมและสะอาด หากบำรุงรักษาเครื่องมือที่มีขอบตัดแหลมคมอย่างถูกต้อง จะสามารถตัดได้ลื่นไม่ติดขัดและควบคุมได้ง่ายกว่า
- ▶ ใช้เครื่องมือไฟฟ้า อุปกรณ์ประกอบ เครื่องมือ และอุปกรณ์อื่นๆ ตรงตามคำแนะนำเหล่านี้ โดยคำนึงถึงเงื่อนไขการทำงานและงานที่จะทำ การใช้เครื่องมือไฟฟ้าทำงานที่ต่างไปจากวัตถุประสงค์การใช้งานของเครื่อง อาจนำไปสู่สถานการณ์ที่เป็นอันตรายได้
- ▶ ดูแลตามจับและพื้นผิวจับให้แห้ง สะอาด และปราศจากคราบน้ำมันและจาระบี ตามจับและพื้นผิวจับที่ลื่นทำให้มือจับได้ไม่ปลอดภัย และไม่สามารถควบคุมเครื่องมือในสถานการณ์ที่ไม่คาดคิด

การบริการ

- ▶ ส่งเครื่องมือไฟฟ้าของท่านเข้ารับบริการจากช่างซ่อมที่มีคุณสมบัติเหมาะสม โดยใช้อะไหล่ที่เหมือนกันเท่านั้น ในลักษณะนี้ท่านจะแน่ใจได้ว่าเครื่องมือไฟฟ้าอยู่ในสภาพที่ปลอดภัย

คำเตือนเพื่อความปลอดภัยสำหรับเลื่อยตัดวงศา

- ▶ เลื่อยตัดวงศาใช้สำหรับตัดไม้หรือผลิตภัณฑ์คล้ายไม้ เครื่องนี้ไม่สามารถใช้กับลวดขัดเพื่อตัดออกสำหรับตัดวัสดุประเภทเหล็ก เช่น แท่งเหล็ก ก้านเหล็ก สลักเกลียว และอื่นๆ ฝุ่นที่มีสารขจัดฤทธิ์ทำให้ชิ้นส่วนที่เคลื่อนไหวได้ เช่น กระจับบ่งป้องกันลาง เกิดติดขัดประกายไฟจากการตัดที่มีสารขจัดฤทธิ์เผาไหม้กระจับบ่งป้องกันลาง เพลดแทรก และชิ้นส่วนพลาสติกอื่นๆ
- ▶ หากเป็นไปได้ให้ใช้แคลมป์หนีบชิ้นงานไว้ ในกรณีที่ใช้มือจับชิ้นงาน ท่านต้องเอามือของท่านออกห่างจากใบเลื่อยด้านใดด้านหนึ่งอย่างน้อย 100 มม. อย่าใช้เครื่องเลื่อยนี้ตัดชิ้นงานที่มีขนาดเล็กเกินไปที่ไม่สามารถหนีบด้วยแคลมป์หรือจับด้วยมือได้อย่างแน่นอน หากมือของท่านอยู่ใกล้ใบเลื่อยเกินไป จะเพิ่มความเสี่ยงต่อการได้รับบาดเจ็บจากการสัมผัสใบเลื่อย
- ▶ ชิ้นงานต้องอยู่กับที่ และถูกยึดหนีบหรือจับทาบกับแผ่นกันและโต๊ะ อย่าป้อนชิ้นงานเข้าในใบเลื่อยหรือตัดด้วย

“มือเปล่า” อย่างเด็ดขาด ชิ้นงานที่หลุดหลวมหรือเคลื่อนไหวได้จะถูกเหวี่ยงออกมาด้วยความเร็วสูงและทำให้ได้รับบาดเจ็บได้

- ▶ ดันเครื่องเลื่อยผ่านชิ้นงาน อย่าดึงเครื่องเลื่อยผ่านชิ้นงาน สำหรับการตัด ให้ยกหัวเครื่องเลื่อยขึ้น และดึงให้อยู่เหนือชิ้นงานโดยไม่ทำการตัด จากนั้นจึงเปิดสวิตช์มอเตอร์ กดหัวเครื่องเลื่อยลง และดันเครื่องเลื่อยผ่านชิ้นงาน การตัดในจังหวะดึงมีแนวโน้มที่จะทำให้ใบเลื่อยป็นขึ้นไปด้านบนของชิ้นงาน และเหวี่ยงชุดใบเลื่อยเข้าหาผู้ใช้งานเครื่องอย่างรุนแรง
- ▶ อย่าไขว้มือของท่านเหนือเส้นที่ต้องการตัด ทั้งตรงด้านหน้าและด้านหลังของใบเลื่อย การจับชิ้นงานด้วย “การไขว้มือ” คือ จับชิ้นงานที่อยู่ด้านขวาของใบเลื่อยด้วยมือซ้าย หรือในทางกลับกัน เป็นการกระทำที่อันตรายอย่างยิ่ง
- ▶ ขณะใบเลื่อยกำลังหมุน อย่าเอามือข้างใดข้างหนึ่งเอื้อมไปด้านหลังแผ่นกันภายในระยะ 100 มม. จากด้านใดด้านหนึ่งของใบเลื่อยเพื่อหนีบเศษไม้หรือเพื่อเหตุผลอื่นใดก็ตาม ท่านอาจสังเกตเห็นระยะประชิดของใบเลื่อยที่กำลังหมุนกับมือของท่านได้ไม่ชัดเจน และท่านอาจได้รับบาดเจ็บสาหัสได้
- ▶ ตรวจสอบชิ้นงานของท่านก่อนทำการตัด หากชิ้นงานบิดหรือโค้งงอ ให้ยึดชิ้นงานโดยจับส่วนที่โค้งออกด้านนอกหันเข้าหาแผ่นกัน ตรวจสอบให้แน่ใจเสมอว่าตามแนวเส้นตัด ไม่มีช่องว่างระหว่างชิ้นงาน แผ่นกันและโต๊ะ ชิ้นงานที่แอ่นหรือโค้งงออาจบิดหรือเคลื่อนที่ได้ และอาจส่งผลให้ติดขัดอยู่ในใบเลื่อยที่กำลังหมุนในขณะที่ตัด ต้องไม่มีตะปูหรือวัตถุแปลกปลอมในชิ้นงาน
- ▶ อย่าใช้เครื่องเลื่อยจนกว่าจะนำเครื่องมือทั้งหมด เศษไม้ และอื่นๆ ออกจากโต๊ะแล้ว เหลือไว้แค่เฉพาะชิ้นงานเท่านั้น ชิ้นเศษขนาดเล็กหรือชิ้นไม้ที่หลุดหลวมหรือวัตถุอื่นใดที่ไปสัมผัสกับใบเลื่อยที่หมุนอยู่ อาจติดตัวออกมาด้วยความเร็วสูง
- ▶ ตัดเพียงหนึ่งชิ้นงานในแต่ละครั้ง ชิ้นงานที่ซ้อนกันหลายๆ ชิ้นจะไม่สามารถยึดหรือค้ำยันได้อย่างแน่นอน และอาจติดขัดบนใบเลื่อยหรือเคลื่อนที่ขณะตัด
- ▶ ก่อนใช้งาน ต้องตรวจสอบให้แน่ใจว่าได้ติดตั้งหรือวางเลื่อยตัดวงศาไว้บนพื้นผิวทำงานที่มั่นคงและราบเสมอกัน พื้นผิวทำงานที่มั่นคงและราบเสมอกันช่วยลดความเสี่ยงจากการลื่นคลอนของเลื่อยตัดวงศา
- ▶ วางแผนการทำงานของท่าน ทุกครั้งที่ท่านเปลี่ยนการตั้งค่ามุมเอียงหรือมุมบาก ต้องตรวจสอบให้แน่ใจว่าได้ปรับตั้งแผ่นกันแบบปรับได้เพื่อหนีบชิ้นงานอย่างถูกต้องแล้ว และจะไม่กีดขวางใบเลื่อยหรือระบบป้องกันเมื่อไม่เปิดสวิตช์เครื่อง “ON” และไม่มีชิ้นงานวางบนโต๊ะ ให้จำลองการตัดโดยเคลื่อนใบเลื่อยไปจนสุด ทั้งนี้เพื่อให้

มันใจว่าจะไม่มีสิ่งกีดขวางหรืออันตรายจากการตัดถูกแผ่นกัน

- ▶ สำหรับชิ้นงานที่มีขนาดกว้างกว่าหรือยาวกว่าพื้นผิวด้านบนของโต๊ะ ต้องจัดให้มีการหนุนค้ำอย่างเพียงพอ เช่น โดยใช้ส่วนขยายโต๊ะ ม้ารองเลื่อย และอื่นๆ ชิ้นงานที่มีขนาดกว้างกว่าหรือยาวกว่าโต๊ะเลื่อยต้องอาจอาจพลิกคว่ำหากไม่ได้รับการหนุนค้ำอย่างมั่นคง หากชิ้นส่วนที่ตัดออกหรือชิ้นงานพลิกคว่ำ ชิ้นงานอาจยกกระบังป้องกันล่างชิ้นหรือถูกใบเลื่อยที่กำลังหมุนเหวี่ยงออก
- ▶ อย่าใช้บุคคลอื่นทำหน้าที่แทนส่วนขยายโต๊ะหรือเป็นตัวค้ำเพิ่มเติม การหนุนชิ้นงานอย่างไม่มั่นคงอาจทำให้ใบเลื่อยติดขัด หรือใบเลื่อยเคลื่อนที่ขณะตัด ซึ่งจะจุดรั้งตัวท่านและผู้ช่วยเข้าไปในใบเลื่อยที่กำลังหมุนได้
- ▶ ชิ้นส่วนที่ตัดออกจะต้องไม่เข้าไปติดขัดหรือถูกกดอัดกับใบเลื่อยที่กำลังหมุนอย่างเด็ดขาด หากมีพื้นที่จำกัด ต. ย. เช่น เมื่อใช้ก้านหยุดความยาว ชิ้นส่วนที่ตัดออกอาจถูกบีบอัดกับใบเลื่อยและถูกเหวี่ยงออกมารูปร่างรุนแรง
- ▶ ใช้แคลมป์หรืออุปกรณ์ที่ออกแบบมาเพื่อยึดจับวัสดุทรงกลม เช่น ก้าน หรือท่อ ให้แน่นหนาเสมอ ก้านกลมมีแนวโน้มนที่จะกลิ้งออกไปในขณะที่ถูกตัด ทำให้ใบเลื่อย “ติดแน่น” และดึงชิ้นงานและมือของท่านเข้าไปในใบเลื่อยได้
- ▶ ปลดปล่อยใบเลื่อยวิ่งถึงความเร็วสูงสุดก่อนแต่ละรอบขึ้นงาน ในลักษณะนี้จะลดความเสี่ยงจากการที่ชิ้นงานจะถูกเหวี่ยงออกไป
- ▶ หากชิ้นงานหรือใบเลื่อยเกิดติดขัด ให้ปิดสวิทช์เลื่อยตัดองศา รอให้ชิ้นส่วนที่เคลื่อนไหวทั้งหมดหยุดนิ่งอยู่กับที่ และถอดปลั๊กไฟออกจากแหล่งจ่ายไฟ และ/หรือถอดแบตเตอรี่แพ็คเกจ จากนั้นจึงเอาวัสดุที่ติดขัดออกมา การเลื่อยชิ้นงานที่ติดขัดต่อไป อาจทำให้สูญเสียการควบคุม หรือเลื่อยตัดองศาอาจเสียหายได้
- ▶ เมื่อตัดเสร็จแล้ว ให้ปล่อยนิ้วจากสวิทช์ จับหัวเครื่องเลื่อยลง และรอให้ใบเลื่อยหยุดนิ่งอยู่กับที่ก่อนเอาชิ้นงานที่ถูกตัดออกมา การเอื้อมมือของท่านเข้าไปใกล้ใบเลื่อยที่วิ่งด้วยแรงเฉื่อยเป็นการกระทำที่อันตราย
- ▶ จับตามจับอย่างแน่นหนาเมื่อทำการตัดที่ไม่สมบูรณ์ หรือเมื่อปล่อยนิ้วจากสวิทช์ก่อนที่หัวเครื่องเลื่อยจะอยู่ในตำแหน่งลงอย่างสมบูรณ์ การเบรคเครื่องเลื่อยอาจทำให้หัวเครื่องเลื่อยถูกดึงลงด้านล่างอย่างกะทันหัน ทำให้เสี่ยงต่อการได้รับบาดเจ็บ
- ▶ รักษาสถานที่ทำงานให้สะอาด การผสมผสานของวัสดุเป็นอันตรายอย่างยิ่งฝุ่นละอองโลหะอาจเผาไหม้หรือระเบิดได้
- ▶ อย่าใช้ใบเลื่อยที่หุ้ แครกัว คดงอ หรือชำรุด ใบเลื่อยที่หุ้หรือปรับตั้งไว้ไม่ถูกต้องจะ ด้รอยตัดแคบ

ทำให้มีการเสียดสีมากเกินปกติ ใบเลื่อยติดขัด และเกิดการตีกลับ

- ▶ อย่าใช้ใบเลื่อยที่ทำจากเหล็กกล้าเร็วสูง (High Speed Steel, HSS) ใบเลื่อยนี้แตกง่าย
- ▶ ใช้ใบเลื่อยที่มีขนาดและรูปทรงรูยึดที่ถูกต้องเสมอ (สี่เหลี่ยมขนมเปียกปูนหรือกลม) ใบเลื่อยที่ไม่เข้าชุดกับอุปกรณ์ติดตั้งของเครื่องเลื่อยจะวิ่งไม่อยู่กึ่งกลางและทำให้สูญเสียการควบคุม
- ▶ อย่าใช้เลเซอร์ชนิดอื่นแทนที่เลเซอร์ที่ติดตั้งไว้แล้ว เลเซอร์ที่ไม่เหมาะสมกับเครื่องมือไฟฟ้าอาจเป็นอันตรายต่อบุคคลได้
- ▶ อย่านำเศษตกค้างจากการตัด เศษโลหะ และอื่นๆ ออกจากบริเวณตัดขณะเครื่องกำลังวิ่งอยู่ ต้องนำแขนเครื่องมือกลับไปตำแหน่งกลางก่อนเสมอ และจากนั้นจึงปิดสวิทช์เครื่อง
- ▶ เมื่อสิ้นสุดการทำงาน อย่าสัมผัสใบเลื่อยก่อนที่ใบเลื่อยจะเย็นลง ใบเลื่อยจะร้อนขึ้นมากขณะทำงาน
- ▶ อย่าทำให้ป้ายเตือนบนเครื่องมือไฟฟ้าลงเลือนอย่างเด็ดขาด
- ▶ ข้อควรระวัง - การใช้อุปกรณ์ทำงานหรืออุปกรณ์ปรับเปลี่ยนอื่นๆ นอกเหนือไปจากที่ระบุไว้ในที่นี้ หรือการใช้วิธีการอื่นๆ อาจนำไปสู่การสัมผัสกับรังสีอันตรายได้
- ▶ อย่าใช้เลเซอร์ชนิดอื่นแทนที่เลเซอร์ที่ติดตั้งไว้แล้ว เลเซอร์ที่ไม่เหมาะสมกับเครื่องมือไฟฟ้าอาจเป็นอันตรายต่อบุคคลได้
- ▶ อย่าทำการเปลี่ยนแปลงใดๆ ที่อุปกรณ์เลเซอร์ ท่านสามารถใช้การตั้งค่าต่างๆ ที่อธิบายไว้ในคู่มือการใช้งานฉบับนี้ได้อย่างปลอดภัย




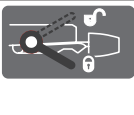







อย่าเล็งลำแสงเลเซอร์ไปยังคนหรือสัตว์ และตัวท่านเองอย่าจ้องมองเข้าไปในลำแสงเลเซอร์โดยตรงหรือลำแสงเลเซอร์สะท้อน การกระทำดังกล่าวอาจทำให้คนตาพร่า ทำให้เกิดอุบัติเหตุ หรือทำให้ดวงตาเสียหายได้

สัญลักษณ์

สัญลักษณ์ต่อไปนี้มีความสำคัญต่อการใช้เครื่องมือไฟฟ้าของท่าน กรุณาจดจำสัญลักษณ์และความหมาย การแปลความสัญลักษณ์ได้ถูกต้องจะช่วยให้ท่านใช้เครื่องมือไฟฟ้าได้ดีและปลอดภัยกว่า

สัญลักษณ์และความหมายของสัญลักษณ์	
	ลำแสงเลเซอร์ระดับที่ 1
	เอามือออกจากบริเวณตัด ขณะเครื่องกำลังวิ่ง อันตรายจากการบาด เจ็บเมื่อไปสัมผัสกับใบเลื่อย
	สวมหน้ากากป้องกันฝุ่น
	สวมแว่นตาป้องกันอันตราย
	สวมอุปกรณ์ป้องกันเสียง การรับฟังเสียงดังอาจทำให้สูญเสียการได้ยิน
	บริเวณอันตราย! เอมือ นิ้ว หรือ แขนออกจากบริเวณนี้
	อย่าสอดนิ้วมือของท่านระหว่างส่วนที่เคลื่อนไหวของแขนเลื่อน อันตรายจากนิ้วมือถูกบีบอัดและได้รับบาดเจ็บมาก
	สังเกตขนาดของใบเลื่อยเส้นผ่าศูนย์กลางรูต้องเข้ากับแกนหมุนของเครื่องโดยไม่มีช่องหลวม หากท่านจำเป็นต้องใช้ตัวลดขนาดให้ตรวจสอบให้แน่ใจว่าตัวลดมีขนาดตรงกับความต้องการของใบมีดหลัก และเส้นผ่าศูนย์กลางรูของใบเลื่อย รวมทั้งเส้นผ่าศูนย์กลางของแกนเครื่องมือ หากเป็นไปได้ให้ใช้ตัวลดขนาดที่จัดส่งมาพร้อมกับใบเลื่อย เส้นผ่าศูนย์กลางใบเลื่อยต้องสอดคล้องกับข้อมูลบนสัญลักษณ์

สัญลักษณ์และความหมายของสัญลักษณ์	
	เมื่อขนย้ายเครื่องให้จับเครื่องตรงตำแหน่งที่กำหนด (ตามจับเว้า) เท่านั้น หรือจับที่ตำแหน่งจับสำหรับขนย้าย
	อย่าหัวเครื่องมือไฟฟ้าตรงตามจับของแขนเลื่อนอย่างเด็ดขาด
	เปิดสวิตช์เลเซอร์
	คันทึบเปิด: สามารถปรับมุมเอียงในแนวตั้งได้ คันทึบปิด: มุมเอียงในแนวตั้งของแขนเลื่อนที่ตั้งไว้ถูกล็อค
	แสดงแต่ละขั้นตอนสำหรับการปรับมุมเอียงในแนวตั้ง 1. คลายคันทึบออก 2. หมุนแขนเลื่อนไปทางซ้ายเล็กน้อย 3. ปรับช่วงมุมเอียงในแนวตั้งที่ต้องการที่ลูกบิดหมุน
	ปรับช่วงมุมเอียงในแนวตั้งที่ลูกบิดหมุน:
	การเอียงใบเลื่อยไปทางซ้าย (45° ... 0°)
	การเอียงใบเลื่อยไปทางขวา (0° ... 45°)
	ช่วงการหมุนทั้งหมดของแขนเลื่อน (-47° ... +47°)

รายละเอียดผลิตภัณฑ์และข้อมูล

จำเพาะ



อ่านคำเตือนเพื่อความปลอดภัยและคำแนะนำทั้งหมด การไม่ปฏิบัติตามคำเตือนและ

คำสั่งอาจเป็นสาเหตุให้ถูกไฟฟ้าดูด เกิดไฟไหม้ และ/หรือได้
รับบาดเจ็บอย่างร้ายแรง

กรุณาดูภาพประกอบในส่วนหน้าของคู่มือการใช้งาน

ประโยชน์การใช้งานของเครื่อง

เครื่องมือไฟฟ้านี้เป็นเครื่องประจำที่ ใช้สำหรับตัดไม้เป็นแนว
ตรงทั้งตามยาวและตามขวาง สามารถตัดมุมเอียงในแนวนอน
จาก -52° ถึง $+60^\circ$ และมุมเอียงในแนวตั้งจาก 47° (ด้าน
ซ้าย) ถึง 47° (ด้านขวา)

เครื่องนี้ออกแบบให้มีสมรรถภาพสำหรับเลื่อยไม้เนื้อ
อ่อนและเนื้อแข็ง และพาร์ติเคิลบอร์ดและไฟเบอร์บอร์ด

เมื่อใช้ใบเลื่อยที่เหมาะสม

ยังสามารถเลื่อยไปรโผล่ลูมิเนียมและวัสดุสังเคราะห์ได้อีก
ด้วย

ส่วนประกอบที่แสดงภาพ

ลำดับเลขของส่วนประกอบผลิตภัณฑ์อ้างอิงถึงส่วน
ประกอบของเครื่องที่แสดงในหน้าภาพประกอบ

- (1) ด้ามจับ
- (2) ปุ่มล็อคไม่ให้สวิตช์เปิด-ปิดทำงาน
- (3) กระจับป้องกัน
- (4) กระจับป้องกันใบเลื่อยชนิดชักกรันได้
- (5) แผ่นกันปรับได้
- (6) แผ่นกัน
- (7) ส่วนขยายโต๊ะเลื่อย
- (8) รูสำหรับติดตั้ง
- (9) แผ่นสอด
- (10) คลิปล็อค
- (11) ลูกบิดล็อคสำหรับมุมเอียงทั้งหมด (แนวนอน)
- (12) คันปรับมุมเอียง (แนวนอน)
- (13) ด้ามหนีบสำหรับมุมเอียงทั้งหมด (แนวตั้ง)
- (14) ช่องกักสำหรับมุมเอียงมาตรฐาน (แนวนอน)
- (15) ด้ามจับเว้า
- (16) ประแจขันหกเหลี่ยม (6 มม./4 มม.)
- (17) ประแจขันหกเหลี่ยม (2 มม.)
- (18) แคลมป์ยึดวัสดุ
- (19) ลูกกลิ้ง
- (20) เข็มซี่มสำหรับช่วงมุมเอียงด้านขวา (0° ถึง 47°)
(แนวตั้ง)
- (21) กระจับเบี่ยงเศษโลหะ
- (22) ช่องพ่นซีกบออก

- (23) ข้อต่อท่อดูดออก
- (24) คันล็อคคกโกเลชั่น
- (25) ป้ายเตือนแสงเลเซอร์
- (26) ฝาครอบป้องกันเลเซอร์
- (27) แชนเล็อน
- (28) สกรูปรับก้านวัดความลึก
- (29) ก้านวัดความลึก
- (30) ล็อคหนีบสำหรับขนย้าย
- (31) มาตราส่วนสำหรับมุมเอียง (แนวตั้ง)
- (32) เข็มซี่มสำหรับช่วงมุมเอียงด้านซ้าย (47° ถึง 0°)
(แนวตั้ง)
- (33) ลูกบิดปรับสำหรับมุมเอียง 22.5° (แนวตั้ง)
- (34) สกรูล็อคของก้านหยุดความยาว^{A)}
- (35) ก้านหยุดความยาว^{A)}
- (36) มาตราส่วนสำหรับมุมเอียง (แนวนอน)
- (37) โต๊ะเลื่อย
- (38) ลูกบิดหมุนสำหรับปรับช่วงมุมเอียง (แนวตั้ง)
- (39) ใบเลื่อย
- (40) ช่องทางออกลำแสงเลเซอร์
- (41) สกรูล็อคของก้านเชื่อมต่อของกระจับป้องกันใบ
เลื่อยชนิดชักกรันได้
- (42) ก้านเชื่อมต่อของกระจับป้องกันใบเลื่อยชนิดชักกรันได้
- (43) สกรูยึดด้านหน้า
(แผ่นครอบ/กระจับป้องกันใบเลื่อยชนิดชักกรันได้)
- (44) สกรูยึดด้านหลัง
(แผ่นครอบ/กระจับป้องกันใบเลื่อยชนิดชักกรันได้)
- (45) แผ่นครอบ
- (46) ล็อคแกน
- (47) สกรูหัวจมหกเหลี่ยมสำหรับยึดใบเลื่อย
- (48) หน้าแปลนยึด
- (49) หน้าแปลนยึดด้านใน
- (50) คันหนีบของส่วนขยายโต๊ะเลื่อย
- (51) สกรูล็อคของแผ่นกันปรับได้
- (52) ตัวควบคุมการหมุน
- (53) สกรูตั้งสำหรับการหมุน
- (54) รูสำหรับแคลมป์ยึดวัสดุ
- (55) น็อตปีก
- (56) ก้านหมุนเกลียว
- (57) เข็มซี่มสำหรับมุมเอียง (แนวนอน)

- (58) สวิทช์เปิด-ปิด /
- (59) สวิทช์เปิด-ปิดเลเซอร์ (สำหรับทำเครื่องหมายเส้นตัด) (68)
- (60) สกรูสำหรับแผ่นสอด
- (61) สกรูหนีบของก้านหยุดความยาว^{A)}
- (62) สกรูสำหรับฝาครอบป้องกันเลเซอร์
- (63) สกรูปรับสำหรับตำแหน่งเลเซอร์ (ความราบเป็นระดับเดียวกัน)
- (64) สกรูยึดสำหรับแผ่นติดตั้งของเลเซอร์
- (65) สกรูยึดสำหรับฝาครอบของเลเซอร์
- (66) สกรูปรับสำหรับการปรับพื้นฐาน 0° (มุมเอียงในแนวตั้ง)
- (67)
- (69) สกรูปรับสำหรับการปรับพื้นฐาน 45° (มุมเอียงในแนวตั้งด้านซ้าย)
- (70) สกรูปรับสำหรับการปรับพื้นฐาน 45° (มุมเอียงในแนวตั้งด้านขวา)
- (71) สกรูตั้งของมาตราส่วนสำหรับมุมเอียง (แนวนอน)
- (72) สกรูสำหรับเข็มชี้มุม (แนวนอน)
- (73) สกรูปรับสำหรับแรงหนีบของด้ามหนีบสำหรับมุมเอียงทั้งหมด (แนวตั้ง)
- (74) สายรัดตีนตุ๊กแก
- A) อุปกรณ์ประกอบที่แสดงภาพหรืออธิบายไม่รวมอยู่ในการจัดส่งมาตรฐาน
กรุณาดูอุปกรณ์ประกอบทั้งหมดในรายการแสดงอุปกรณ์ประกอบของเรา

ข้อมูลทางเทคนิค

แทนต์ตองศาแบบสไลด์		GCM 12 GDL	GCM 12 GDL
หมายเลขสินค้า		3 601 M23 641	3 601 M23 6B1
		3 601 M23 6L1	3 601 M23 681
			3 601 M23 6K1
กำลังไฟฟ้าที่ติดตั้งเข้า	วัตต์	2000	1800
แรงดันไฟฟ้าที่ติดตั้ง	โวลต์	230-240	220-230
ความถี่	เฮิรตซ์	50	50/60
ความเร็วรอบเดินตัวเปล่า	min ⁻¹	4000	4000
การจำกัดกระแสไฟฟ้าเมื่อสตาร์ทเครื่อง		●	●
ชนิดเลเซอร์	นาโนเมตร	650	650
	มิลลิวัตต์	< 1	< 1
ระดับเลเซอร์		1	1
น้ำหนักตามระเบียบการ EPTA-Procedure 01:2014	กก.	32.1	32.1
ระดับความปลอดภัย		☐/II	☐/II
ขนาดของใบเลื่อยที่เหมาะสม			
เส้นผ่าศูนย์กลางใบเลื่อย	มม.	305	305
ความหนาใบ	มม.	1.7-2.6	1.7-2.6
ความกว้างการตัด สูงสุด	มม.	3.2	3.2
เส้นผ่าศูนย์กลางรูปประกอบ	มม.	25.4	25.4

ขนาดชิ้นงานที่อนุญาต (ดู "มิติชิ้นงานที่อนุญาต", หน้า 79)

การติดตั้ง

- ▶ หลีกเลี่ยงอย่าให้เครื่องติดขึ้นเองโดยไม่ตั้งใจ ขณะติดตั้งและเมื่อทำการปรับแต่งใดๆ ที่เครื่องมือไฟฟ้า ต้องไม่ต่อปลั๊กไฟฟ้าเข้ากับแหล่งจ่ายไฟฟ้าหลัก

รายการสิ่งของที่จัดส่ง



กรุณาสังเกตภาพประกอบรายการสิ่งของที่จัดส่งในตอนต้นของคู่มือการใช้งาน

- ก่อนใช้เครื่องทำงานเป็นครั้งแรก ให้ตรวจสอบว่าชิ้นส่วนทั้งหมดที่ระบุด้านล่างนี้ได้จัดส่งมาด้วยหรือไม่:
- แท่นตัดองศาแบบเลื่อนพร้อมใบเลื่อยติดตั้งมาแล้ว (39)
 - ลูกบิดล็อค (11)
 - ประแจขันหกเหลี่ยม (16)
 - ประแจขันหกเหลี่ยม (17)
 - แคลมป์ยึดวัสดุ (18)

หมายเหตุ: ตรวจสอบเครื่องมือไฟฟ้าเพื่อหาจุดชำรุดที่อาจมีก่อนใช้เครื่องมือไฟฟ้าต่อไปต้องตรวจสอบอุปกรณ์ป้องกันอันตรายว่าทำงานอย่างถูกต้องหรือไม่ ส่วนชำรุดเล็กน้อยใดๆ ต้องได้รับการตรวจสอบอย่างละเอียดถี่ถ้วนเพื่อจะได้มั่นใจว่าเครื่องจะทำงานได้อย่างไม่มีข้อบกพร่อง ตรวจสอบชิ้นส่วนที่เคลื่อนไหวว่าทำงานอย่างถูกต้องและติดขัดหรือไม่ หรือมีชิ้นส่วนเสียหายหรือไม่ ชิ้นส่วนทั้งหมดต้องติดตั้งอย่างถูกต้องและตรงตามเงื่อนไขทั้งหมดเพื่อให้แน่ใจว่าจะทำงานได้อย่างไม่ผิดพลาด

ท่านต้องส่งเครื่องไปยังโรงซ่อมที่เชี่ยวชาญและเป็นที่ยอมรับเพื่อการซ่อมแซมหรือเปลี่ยนอุปกรณ์ป้องกันอันตรายและชิ้นส่วนที่เสียหายอย่างถูกต้อง

เครื่องมือเพิ่มเติมที่ต้องใช้ (ไม่อยู่ในรายการสิ่งของที่จัดส่ง):

- ไขควงปากแฉก
- ประแจปากตาย (ขนาด: 8 มม.)
- ประแจแหวน ประแจปากตาย หรือประแจม็อกซ์ (ขนาด: 10 มม. และ 17 มม.)

การติดตั้งส่วนประกอบแต่ละชิ้น

- นำชิ้นส่วนทั้งหมดที่จัดส่งมาออกจากหีบห่ออย่างระมัดระวัง
- นำวัสดุหีบห่อทั้งหมดออกจากเครื่องมือไฟฟ้าและอุปกรณ์ประกอบที่จัดส่งมา

การติดตั้งลูกบิดล็อค (ดูภาพประกอบ a)

- ขันลูกบิดล็อค (11) เข้าในรูที่สอดคล้องกันเหนือคันปรับ (12)
- ▶ ขันลูกบิดล็อค (11) เข้าให้แน่นก่อนเสียบเสมอ มิฉะนั้นใบเลื่อยอาจติดขัดในชิ้นงานได้

การติดตั้งแบบประจำที่หรือแบบคล่องตัว

- ▶ เพื่อควบคุมเครื่องให้ได้อย่างปลอดภัย ก่อนใช้งานต้องติดตั้งเครื่องบนพื้นผิวที่มั่นคงและราบเสมอกัน (ต. ย. เช่น โต๊ะทำงานของช่าง)

การติดตั้งบนพื้นที่ทำงาน (ดูภาพประกอบ b1)

- ยึดเครื่องมือไฟฟ้าเข้ากับพื้นผิวทำงานด้วยสลักรูยึดที่เหมาะสม สำหรับการยึดให้ใช้รู (8)

หรือ

- หนีบฐานของเครื่องมือไฟฟ้าเข้ากับพื้นผิวทำงานให้แน่นด้วยแคลมป์ยึดวัสดุที่มีจำหน่ายทั่วไป

การติดตั้งบนโต๊ะทำงาน Bosch

(ดูภาพประกอบ b2)

(GTA 2500 W, GTA 3700, GTA 3800)

โต๊ะเลื่อย GTA ของ บอช มีขาที่ปรับความสูงได้ จึงสามารถค้ำพุงเครื่องมือไฟฟ้าบนทุกพื้นผิว แทนรองรับชิ้นงานของโต๊ะเลื่อยโซ่สำหรับรองรับชิ้นงานที่มีขนาดยาว

- ▶ **อ่านค่าเตือนเพื่อความปลอดภัยและคำสั่งทั้งหมดที่แนบมากับโต๊ะเลื่อย** การไม่ปฏิบัติตามค่าเตือนเพื่อความปลอดภัยและคำสั่งอาจเป็นสาเหตุให้ถูกไฟฟ้าดูด เกิดไฟไหม้ และ/หรือได้รับบาดเจ็บอย่างร้ายแรง
- ▶ **ต่อโต๊ะเลื่อยอย่างถูกต้องก่อนติดตั้งเครื่องมือไฟฟ้า** จำเป็นต้องต่อให้เรียบร้อยถูกต้องเพื่อหลีกเลี่ยงอันตรายจากการลัมมคว่ำ
- ติดตั้งเครื่องมือไฟฟ้าในตำแหน่งขนย้ายบนโต๊ะทำงาน

การดูดฝุ่น/ซีลื้อย

- ฝุ่นที่ได้จากวัสดุ เช่น เคลือบผิวที่มีสารตะกั่ว ไม้บางประเภท แร่ธาตุ และโลหะ อาจเป็นอันตรายต่อสุขภาพ การสัมผัสหรือการหายใจเอาฝุ่นเข้าไปอาจทำให้เกิดปฏิกิริยาแพ้ฝุ่น และ/หรือนำมาซึ่งโรคติดเชื้อระบบหายใจแก่ผู้ใช้เครื่องหรือผู้ที่ยืนอยู่ใกล้เคียง
- ฝุ่นบางประเภท เช่น ฝุ่นไม้อัด หรือไม้ขี้ ไม้ เป็นสารที่ทำให้เกิดมะเร็ง โดยเฉพาะอย่างยิ่งเมื่อผสมกับสารเติมแต่งเพื่อบำบัดไม้ (โครเมต ผลิตภัณฑ์รักษาเนื้อไม้) สำหรับวัสดุที่มีเอสเบสทอสต้องให้ผู้เชี่ยวชาญทำงานเท่านั้น
- ใช้ระบบดูดฝุ่นออกที่เหมาะสมกับประเภทวัสดุ มากเท่าที่จะทำได้

- จัดสถานที่ทำงานให้มีการระบายอากาศที่ดี
- ขอแนะนำให้สวมหมวกปกป้องการติดเชื้อที่มีระดับ-ไลกรอง P2

ปฏิบัติตามกฎข้อบังคับสำคัญอื่นๆ ที่เกี่ยวกับวัสดุชิ้นงานที่บังคับใช้ในประเทศของท่าน

► ป้องกันการสะสมของฝุ่นในสถานที่ทำงาน ฝุ่นสามารถถูกโหมอย่างง่ายตาย

อุปกรณ์ดูดฝุ่น/ซีลียออาจดูดตันด้วยฝุ่น ซีลียอหรือสะเก็ดชิ้นงาน

- ปิดสวิทช์เครื่อง และดึงปลั๊กไฟออกจากเต้าเสียบ
- รอจนใบเลื่อยหยุดสนิท
- หาสาเหตุของการดูดตันและทำการแก้ไข

การดูดฝุ่นด้วยเครื่องดูดฝุ่นภายนอก

สำหรับการดูดฝุ่นออกข้อต่อท่อดูดออก (23) ท่านยังสามารถเชื่อมต่อท่อของเครื่องดูดฝุ่น (Ø 35 มม.) ได้ด้วย

- เชื่อมต่อท่อดูดฝุ่นเข้ากับช่องพ่นซีกบออก (23) เครื่องดูดฝุ่นต้องมีลักษณะการใช้งานที่เหมาะสมกับประเภทวัสดุชิ้นงาน

ในกรณีดูดฝุ่นแห่งที่เป็นอันตรายต่อสุขภาพอย่างยิ่งหรืออาจก่อให้เกิดมะเร็งได้ ให้ใช้เครื่องดูดฝุ่นพิเศษ

การทำความสะอาดข้อต่อท่อดูดออก

เพื่อให้ดูดฝุ่นออกได้ดีที่สุด ต้องทำความสะอาดข้อต่อท่อดูดออก (23) เป็นประจำ

- ถอดข้อต่อท่อดูดออก (23) โดยหมุนบิดออกจากช่องพ่นซีกบออก (22)
- เอาเศษและสะเก็ดชิ้นงานออก
- ดันข้อต่อท่อดูดออกเข้าบนช่องพ่นซีกบออกอีกครั้งโดยหมุนบิดจนข้อต่อขบเข้าบนแหวนจับของช่องพ่นซีกบออก

การเปลี่ยนใบเลื่อย (ดูภาพประกอบ c1-c4)

- ดึงปลั๊กไฟออกจากเต้าเสียบก่อนปรับแต่งเครื่อง
- สวมถุงมือป้องกันอันตรายเมื่อติดตั้งใบเลื่อย เมื่อสัมผัสใบเลื่อยจะเสี่ยงต่อการได้รับบาดเจ็บ

ใช้เฉพาะใบเลื่อยที่มีความเร็วสูงสุดที่อนุญาตสูงกว่าความเร็วรอบตัวเปล่าของเครื่องมือไฟฟ้าของท่าน

ใช้เฉพาะใบเลื่อยที่

มีคุณสมบัติสอดคล้องกับข้อมูลที่จะระบุไว้ในหนังสือคู่มือการใช้งานเล่มนี้ และที่ผ่านการทดสอบและทำเครื่องหมายตาม EN 847-1

ใช้เฉพาะใบเลื่อยที่บริษัทผู้ผลิตเครื่องมือไฟฟ้านี้แนะนำให้ใช้ และใบเลื่อยที่เหมาะสมสำหรับเลื่อยวัสดุที่ต้องการตัด ในลักษณะนี้จะช่วยป้องกันไม่ให้ฟันเลื่อยร้อนเกินไปขณะตัด

การถอดใบเลื่อย

- จัดเครื่องมือไฟฟ้าให้อยู่ในตำแหน่งทำงาน
- ชันสกรูล็อก (41) ออกด้วยมือจนก้านเชื่อมต่อ (42) สามารถหอยลงอย่างอิสระได้
- คลายสกรูยึด (43) ออก (ประมาณ 2 รอบหมุน) ด้วยประแจขันหกเหลี่ยม (มม.) (16) อย่าขันสกรูออกจนสุด
- คลายสกรูยึด (44) (ออก (ประมาณ 6 รอบหมุน) ด้วยประแจขันหกเหลี่ยม (มม.) (16) อย่าขันสกรูออกจนสุด
- ดึงแผ่นครอบ (45) ไปทางด้านหน้าและด้านล่างออกจากสกรูยึด (44)
- หมุนกระบังป้องกันใบเลื่อยชนิดซักรันได้ (4) ไปด้านหลังและจับกระบังป้องกันใบเลื่อยชนิดซักรันได้ไว้ในตำแหน่งนี้
- แขนง้านเชื่อมต่อ (42) บนสกรูยึด (44) โดยใช้รูลักษณะนี้จะจับกระบังป้องกันใบเลื่อยชนิดซักรันได้ให้อยู่ในตำแหน่งเปิด
- หมุนสกรูหัวจมกเหลี่ยม (47) ด้วยประแจขันหกเหลี่ยม (มม.) (16) และในขณะที่เดียวกันให้กดลอคแกน (46) จนขบเข้าที่
- กดลอคแกน (46) ค้างไว้ และขันสกรูหัวจมกเหลี่ยม (47) ออกในทิศตามเข็มนาฬิกา (เกลียวซ้าย!)
- ถอดน็อตยึด (48) ออก
- ถอดใบเลื่อย (39) ออก

การประกอบใบเลื่อย

- เมื่อประกอบใบเลื่อย ต้องเอาใจใส่ให้ทิศทางตัดของฟัน (ทิศทางลูกศรบนใบเลื่อย) ชี้ไปทางเดียวกับทิศทางของลูกศรบนกระบังป้องกันใบเลื่อย!

หากจำเป็น ให้ทำความสะอาดทุกชิ้นส่วนก่อนประกอบเข้า

- ประกอบใบเลื่อยใหม่เข้ากับน็อตยึดด้านใน (49)
- ใส่ น็อตยึด (48) และสกรูหัวจมกเหลี่ยม (47) กดลอคแกน (46) จนขบเข้าที่ และขันสกรูหัวจมกเหลี่ยมให้แน่น โดยหมุนในทิศตามเข็มนาฬิกา
- ปลดก้านเชื่อมต่อ (42) จากสกรูยึด (44) และเลื่อนกระบังป้องกันใบเลื่อยชนิดซักรันได้ (4) ลงอีกครั้ง
- เลื่อนแผ่นครอบ (45) กลับไปที่สกรูยึด (44) อีกครั้ง
- ชันสกรูยึด (44) และ (43) กลับเข้าที่ให้แน่นอีกครั้ง
- เลื่อนก้านเชื่อมต่อ (42) กลับเข้าไปในตำแหน่งเดิมของมัน และยึดสกรูล็อก (41) ด้วยมือกลับเข้าที่อีกครั้ง

การปฏิบัติงาน

- ดึงปลั๊กไฟออกจากเต้าเสียบก่อนปรับแต่งเครื่อง

ล๊อคนิริภัยสำหรับขนย้าย (คุณภาพประกอบ A)

ล๊อคนิริภัยสำหรับขนย้าย (30) ทำให้สามารถจับถือเครื่องมือไฟฟ้าได้สะดวกเมื่อขนย้ายไปยังสถานที่ทำงานต่างๆ

การปลดเครื่อง (ตำแหน่งทำงาน)

- ดันแขนเลื่อน (27) ตรงด้ามจับ (1) ลงเล็กน้อยเพื่อคลายล๊อคนิริภัยสำหรับขนย้าย (30)
- ดึงล๊อคนิริภัยสำหรับขนย้าย (30) ออกจากด้านนอกทั้งหมด
- เลื่อนแขนเลื่อน (27) ขึ้นอย่างช้าๆ

การรััดเครื่อง (ตำแหน่งขนย้าย)

- เลื่อนแขนเลื่อน (27) ไปทางด้านท้ายทั้งหมด และยึดให้แน่นในตำแหน่งนี้
- เลื่อนแขนเลื่อนลงไปจนสามารถดันล๊อคนิริภัยสำหรับขนย้าย (30) เข้าด้านในทั้งหมด

ข้อมูลเพิ่มเติม: (ดู "การขนย้าย (คุณภาพประกอบ Z)", หน้า 83)

การล๊อคแขนเลื่อน

กลไกเลื่อนของแขนเลื่อน (27) สามารถล๊อคด้วยคันล๊อค (24) ท่านสามารถล๊อคแขนเลื่อนได้สองตำแหน่ง:

- ดันแขนเลื่อนไปทางด้านท้ายทั้งหมด (สำหรับการตัดสับ)
- ดึงแขนเลื่อนมาทางด้านหน้าทั้งหมด (สำหรับตำแหน่งขนย้ายแบบกรบขั้ว)

การปลดแขนเลื่อน (คุณภาพประกอบ B1)

เมื่อปลดล๊อคแขนเลื่อน (27) แล้ว กลไกเลื่อนทั้งหมดพร้อมจะทำงาน

- กดคันล๊อค (24) ลงจนสุด
- ลิ้มหนีบของคันล๊อคจะปลดขึ้นส่วนเชื่อมต่อทั้งสองชั้นที่ด้านล่างของแขนเลื่อนออก

เมื่อตัดมุมเฉียงในแนวอนและ/หรือแนวตั้ง ท่านต้องดึงแผ่นกันปรับได้ (5) ไปด้านนอกทางซ้ายหรือทางขวาขึ้นอยู่กับทิศทางการตัดหรือถอดออกไป

มุมเอียงในแนวตั้ง	มุมเอียงในแนวนอน	
0°–47° (ซ้าย)	≤ 44° (ขวา/ซ้าย)	- คลายสกรูล๊อค (51) ออก - ดึงแผ่นกันปรับได้ด้านซ้าย (5) ออกจากด้านนอกทั้งหมด
0°–47° (ซ้าย)	≥ 45° (ขวา/ซ้าย)	- คลายสกรูล๊อค (51) ออก - ดึงแผ่นกันปรับได้ด้านซ้าย (5) ออกจากด้านนอกทั้งหมด - ยกแผ่นกันปรับได้ออกทางด้านบน - ถอดสกรูล๊อค (51) ออก
0°–47° (ขวา)	≤ 44° (ขวา/ซ้าย)	- คลายสกรูล๊อค (51) ออก - ดึงแผ่นกันปรับได้ด้านขวา (5) ออกจากด้านนอกทั้งหมด - ยกแผ่นกันปรับได้ออกทางด้านบน

การรััดแขนเลื่อน (คุณภาพประกอบ B2)

แขนเลื่อนถูกดันไปทางด้านท้ายทั้งหมด:

- ดันแขนเลื่อน (27) ไปทางด้านท้ายจนสุด
- ตอนนี้ขึ้นส่วนเชื่อมต่อด้านบนทั้งสองชั้นของแขนเลื่อนอยู่ในตำแหน่งตั้งขึ้นและปิด
- ดึงคันล๊อค (24) ขึ้นไปด้านบนจนลิ้มหนีบวางอยู่ระหว่างชั้นส่วนเชื่อมต่อทั้งสองชั้นที่ด้านล่างของแขนเลื่อน
- ในลักษณะนี้แขนเลื่อนที่ถูกดันไปทางด้านท้ายทั้งหมด (27) จะถูกล๊อค

แขนเลื่อนถูกดึงเข้ามาด้านหน้าทั้งหมด:

- ดึงแขนเลื่อน (27) เข้ามาด้านหน้าจนสุด
- ตอนนี้น๊กลไกเลื่อนถูกขยายออกไปทั้งหมด
- ดึงคันล๊อค (24) ขึ้นไปด้านบนจนลิ้มหนีบวางอยู่ระหว่างชั้นส่วนเชื่อมต่อทั้งสองชั้นที่ด้านล่างของแขนเลื่อน
- ในลักษณะนี้แขนเลื่อนที่ถูกดึงเข้ามาด้านหน้าทั้งหมด (27) จะถูกล๊อค

การเตรียมการทำงาน

การขยายโต๊ะเลื่อย (คุณภาพประกอบ C)

ต้องรองรับหรือหนุนส่วนปลายของชิ้นงานที่มีขนาดยาวที่ลอยอยู่

โต๊ะเลื่อยสามารถขยายไปทางซ้ายหรือทางขวาด้วยส่วนขยายโต๊ะเลื่อย (7)

- ดันคันหนีบ (50) เข้าด้านใน
- ดึงส่วนขยายโต๊ะเลื่อย (7) ออกด้านนอกจนถึงความยาวที่ต้องการ (สูงสุด 250 มม.)
- เมื่อต้องการล๊อคส่วนขยายโต๊ะเลื่อย ให้ดันคันหนีบ (50) ออกด้านนอกอีกครั้ง

การเลื่อนแผ่นกัน (คุณภาพประกอบ D – E)

มุมเอียงในแนวตั้ง	มุมเอียงในแนวนอน
-------------------	------------------

0°–47° (ขวา)	≥ 45° (ขวา/ซ้าย)
-----------------	---------------------

การปรับการหมุนของแกนเลื่อน (ดูภาพประกอบ F)

กลไกเลื่อนของแกนเลื่อน (27) ถูกตั้งไว้ล่วงหน้าจากโรงงาน และไม่ได้ทำการหมุนไว้เมื่อจัดตั้งเครื่องมือไฟฟ้า

ท่านสามารถปรับการหมุนของกลไกเลื่อนเฉพาะรายชื่อที่ควบคุมการหมุน (52):

แข็ง - การเคลื่อนไหวทำงานที่ควบคุมได้มากกว่า

นุ่ม - การตัดเลื่อยอย่างรวดเร็ว

– คลายสกรูตั้งทั้งสองตัว (53) ออกด้วยประแจขันหกเหลี่ยม (มม.) (16) สำหรับการหมุนที่นุ่มกว่า

– หรือ

– ขันสกรูตั้งทั้งสองตัว (53) เข้าให้แน่นขึ้นสำหรับการหมุนที่ แข็งกว่า

การหนีบชิ้นงาน (ดูภาพประกอบ G)

เพื่อความปลอดภัยสูงสุดขณะทำงาน ต้องหนีบชิ้นงานให้แน่นเสมอ

อย่าเลื่อยชิ้นงานที่มีขนาดเล็กมากจนยึดหนีบไม่ได้

– กดชิ้นงานเข้าหาแผ่นกัน (6) และ (5) อย่างมั่นคง

– ใส่แคลมป์ยึดวัสดุ (18) ที่จัดส่งมาไว้ในรู (54) ที่มีไว้สำหรับวัสดุประเภทนี้

– คลายน็อตปิก ออก และปรับแคลมป์ยึดวัสดุให้เข้ากับชิ้นงาน ขันน็อตปิกกลับให้แน่นอีกครั้ง

– ขันก้านหมุนเกลียว (56) ให้แน่น และด้วยเหตุนี้ชิ้นงานจึงถูกยึดแน่น

การปลดชิ้นงาน

– เมื่อต้องการปลดแคลมป์ยึดวัสดุ ให้หมุนก้านหมุนเกลียว (56) ไปในทิศทวนเข็มนาฬิกา

การปรับมุมเอียงในแนวนอนและแนวตั้ง**▶ ดึงปลั๊กไฟออกจากเต้าเสียบก่อนปรับแต่งเครื่อง**

เพื่อให้แน่ใจว่าจะตัดชิ้นงานได้อย่างแม่นยำ หลังการใช้งาน พนักงานต้องตรวจสอบการปรับพื้นฐานของเครื่องมือไฟฟ้า และปรับตั้ง หากจำเป็น

สำหรับเรื่องนี้ท่านต้องมีประสบการณ์และเครื่องมือพิเศษที่สอดคล้องกัน

ศูนย์บริการลูกค้า บอช

ให้บริการบำรุงรักษาได้รวดเร็วและเชื่อถือได้

▶ **ขันลูกบิดลอค (11) ให้แน่นทุกครั้งก่อนทำการเลื่อย** มิฉะนั้นใบเลื่อยอาจติดขัดในชิ้นงานได้

การปรับมุมเอียงในแนวนอน**การปรับมุมเอียงมาตรฐานในแนวนอน (ดูภาพประกอบ H)**

สำหรับการตั้งมุมเอียงในแนวนอนที่ช่วยให้ได้รวดเร็วและแม่นยำให้ใช้ช่องกัก (14) ที่โต๊ะเลื่อย:

ซ้าย	ขวา
0°	
45°; 31.6°; 22.5°; 15°	15°; 22.5°; 31.6°; 45°; 60°

– คลายลูกบิดลอค (11) ออกหากถูกขันแน่น

– ดึงคันปรับ (12) และหมุนโต๊ะเลื่อย (37) ไปทางซ้ายหรือทางขวาจนถึงช่องกักที่ต้องการ

– ปล่อนิ้วจากคันปรับ คันปรับต้องขบเข้าในช่องกักอย่างรู้สึกได้

– ขันลูกบิดลอค (11) กลับเข้าที่อีกครั้ง

การปรับมุมเอียงในแนวนอนทั้งหมด (ดูภาพประกอบ I)
มุมเอียงในแนวนอนสามารถตั้งได้ในช่วงตั้งแต่ 52° (ด้านซ้าย) ถึง 60° (ด้านขวา)

– คลายลูกบิดลอค (11) ออกหากถูกขันแน่น

– ดึงคันปรับ (12) และในเวลาเดียวกันดันคลิปลอค (10) จนคลิปลอคขบเข้าในร่องสำหรับวัสดุประเภทนี้ ในลักษณะนี้โต๊ะเลื่อยจะเคลื่อนได้อย่างอิสระ

– หมุนโต๊ะเลื่อย (37) ตรงลูกบิดลอคไปทางซ้ายหรือทางขวาจนเข็มชี้มุม (57) แสดงมุมเอียงในแนวนอนที่ต้องการ

– ขันลูกบิดลอค (11) กลับเข้าที่อีกครั้ง

– เมื่อต้องการคลายคันปรับ (12) อีกครั้ง (เพื่อปรับมุมเอียงมาตรฐานในแนวนอน) ให้ดึงคันปรับขึ้น คลิปลอค (10) ตีกลับไปที่ตำแหน่งเดิมอย่างรวดเร็ว และคันปรับ (12) สามารถขบเข้าในช่องกัก (14) อีกครั้ง

การปรับมุมเอียงในแนวตั้ง

ท่านสามารถปรับมุมเอียงในแนวตั้งในช่วงจาก 47° (ด้านซ้าย) ถึง 47° (ด้านขวา)

ตัวหยุดสำหรับมุม 0°, 22.5° และ 45° และ 47° ถูกจัดเตรียมไว้บนโต๊ะเลื่อยเพื่อให้สามารถปรับมุมเอียงในแนวตั้งที่ใช้กันทั่วไปได้อย่างรวดเร็วและแม่นยำ

การปรับช่วงมุมเอียงในแนวตั้งด้านซ้าย (45° ถึง 0°)

L

– ดึงแผ่นกันปรับได้ด้านซ้าย (5) ออกมาด้านนอกทั้งหมด

- คลายด้ามหนีบ (13) ออก
- หมุนแขนเลื่อน (27) ตรงด้ามจับ (1) ไปทางซ้ายหรือทางขวาจนเข็มชี้มุม (32) แสดงมุมเอียงในแนวตั้งที่ต้องการ
- จับแขนเลื่อน (27) ไว้ในตำแหน่งนี้ และยึดด้ามหนีบ (13) กลับเข้าให้แน่นอีกครั้ง

การปรับช่วงมุมเอียงในแนวตั้งด้านขวา (0° ถึง 45°) (ดูภาพประกอบ J)

45° R

- ดึงแผ่นกันปรับได้ด้านขวาดึงแผ่นกันปรับได้ด้านขวา (5) ออกมาด้านนอกทั้งหมด
- คลายด้ามหนีบ (13) ออก
- เอียงแขนเลื่อน (27) ตรงด้ามจับ (1) ออกจากตำแหน่ง 0° ไปทางซ้ายเล็กน้อย และหมุนลูกบิดหมุน (38) จนแสดงช่วงมุมเอียงในแนวตั้งที่ต้องการ
- หมุนแขนเลื่อน (27) ตรงด้ามจับ (1) ไปทางขวาจนเข็มชี้มุม (20) แสดงมุมเอียงที่ต้องการ
- จับแขนเลื่อน (27) ไว้ในตำแหน่งนี้ และยึดด้ามหนีบ (13) กลับเข้าให้แน่นอีกครั้ง

การปรับมุมเอียงมาตรฐานในแนวตั้ง 0°

เพื่อให้สามารถตั้งขั้วมุมเอียงมาตรฐานในแนวตั้ง 0° ได้อย่างง่ายดาย ลูกบิดหมุน (38) จะขยับเข้าไปในช่วงมุมเอียงในแนวตั้งด้านซ้าย

- หมุนแขนเลื่อน (27) จากขวามาตำแหน่ง 0°

การปรับช่วงมุมเอียงในแนวตั้งทั้งหมด (-47° ถึง +47°)

47°

- ดึงส่วนขยายแผ่นกันปรับได้ทั้งสอง (5) ออกมาด้านนอกทั้งหมด
- คลายด้ามหนีบ (13) ออก
- เอียงแขนเลื่อน (27) ตรงด้ามจับ (1) ออกจากตำแหน่ง 0° ไปทางซ้ายเล็กน้อย และหมุนลูกบิดหมุน (38) จนแสดงช่วงมุมเอียงในแนวตั้งที่ต้องการ
- หมุนแขนเลื่อน (27) ตรงด้ามจับ (1) ไปทางซ้ายหรือทางขวาจนเข็มชี้มุม (32) หรือ (20) แสดงมุมเอียงในแนวตั้งที่ต้องการ

- จับแขนเลื่อน (27) ไว้ในตำแหน่งนี้ และยึดด้ามหนีบ (13) กลับเข้าให้แน่นอีกครั้ง
- แรงหนีบของคันทันต้องยึดตำแหน่งของแขนเลื่อนที่มุมเอียงในแนวตั้งทั้งหมดไว้อย่างแน่นอนหนา

การปรับมุมเอียงมาตรฐานในแนวตั้ง 22.5° (ดูภาพประกอบ K)

ดึงลูกบิดปรับ (33) ออกมาด้านนอกทั้งหมด และหมุนลูกบิดไป 90° จากนั้นหมุนแขนเลื่อน (27) ตรงด้ามจับ (1) จนได้ยินเสียงแขนเลื่อนขบเข้าที่

การเริ่มต้นปฏิบัติงาน

- ▶ ให้สังเกตแรงดันไฟฟ้า! แรงดันไฟฟ้าจากแหล่งจ่ายไฟฟ้าต้องมีค่าตรงกับค่าแรงดันไฟฟ้าที่ระบุไว้บนแผ่นป้ายติดเครื่อง เครื่องมือไฟฟ้าที่มีเครื่องหมาย 230 โวลต์ สามารถใช้งานกับ 220 โวลต์ ได้ด้วย

เปิดสวิตช์ (ดูภาพประกอบ L)

- สำหรับการเปิดสวิตช์เครื่องมือไฟฟ้า ในเบื้องต้นให้เลื่อนปุ่มล็อก (2) ไปตรงกลาง จากนั้น ให้กดสวิตช์เปิด-ปิด (58) และกดคาลังไว้

หมายเหตุ: ด้วยเหตุผลด้านความปลอดภัย จึงไม่สามารถล็อกสวิตช์เปิด-ปิด (58) ได้ จะต้องกดสวิตช์เปิด-ปิดตลอดเวลาปฏิบัติงาน

ปิดสวิตช์

- เมื่อต้องการปิดสวิตช์ให้ปล่อยนิ้วจากสวิตช์เปิด-ปิด (58)

การจำกัดกระแสไฟฟ้าเมื่อสตาร์ทเครื่อง

การจำกัดกระแสไฟฟ้าเมื่อสตาร์ทเครื่องด้วยระบบอิเล็กทรอนิกส์ช่วยลดความเสี่ยงเปลืองพลังงานไฟฟ้าขณะเปิดสวิตช์เครื่องมือไฟฟ้า และทำให้สามารถทำงานโดยใช้ฟิวส์ 16 แอมแปร์ได้

หมายเหตุ: หากเครื่องมือไฟฟ้าทำงานที่ความเร็วรอบเต็มที่ในทันทีที่เปิดสวิตช์ แสดงว่าระบบจำกัดกระแสไฟฟ้าเมื่อสตาร์ทเครื่องและการป้องกันการรีสตาร์ทล้มเหลว ต้องส่งเครื่องมือไฟฟ้าไปยังศูนย์บริการลูกค้าทันที

ข้อแนะนำในการทำงาน

คำแนะนำทั่วไปสำหรับการเสียบ

- ▶ ขันลูกบิดล็อก (11) และด้ามหนีบ (13) เข้าให้แน่นก่อนเสียบเสมอ มิฉะนั้นใบเลื่อยอาจติดขัดในชิ้นงานได้
- ▶ สำหรับการตัดทุกครั้ง ก่อนอื่นต้องทำให้มั่นใจว่าใบเลื่อยจะไม่ไปสัมผัสกับแผ่นกัน เคลมบ์ยึดวัสดุ หรือส่วนอื่นๆ ของเครื่องในทุกลูก นำตัวหยุดเสริมใดๆ ที่ติดตั้งออกไปหรือปรับให้เหมาะสม

ป้องกันใบเลื่อยไม่ให้ถูกกระทบกระแทก อย่ากดใบเลื่อยลงทางด้านข้าง

อย่าเลื่อยชิ้นงานที่มีดเบี้ยว ชิ้นงานต้องมีขอบตรงเสมอเพราะต้องประกบกับแผ่นกัน

ต้องหนุนส่วนปลายของชิ้นงานที่หนักและมีขนาดยาวที่ลอยอยู่ ตรวจสอบให้แน่ใจว่ากระบังป้องกันใบเลื่อยชนิดชักมันด์ทำงานอย่างถูกต้องและเคลื่อนไหวไปมาได้อย่างอิสระ เมื่อเลื่อนแขนเครื่องมือลง กระบังป้องกันใบเลื่อยชนิดชักมันด์ต้องเปิด เมื่อเลื่อนแขนเครื่องมือขึ้น กระบังป้องกันใบเลื่อยชนิดชักมันด์ต้องปิดครอบใบเลื่อยอีกครั้ง และล็อกอยู่ในตำแหน่งบนสุดของแขนเครื่องมือ

เลื่อยเฉพาะวัสดุที่ได้รับอนุญาตในประโยชน์การใช้งานของเครื่องเท่านั้น

การทำเครื่องหมายเส้นตัด (รูปภาพประกอบ M)

ลำแสงเลเซอร์สองลำแสดงความกว้างการตัดของใบเลื่อย ในลักษณะนี้จะช่วยให้สามารถวางตำแหน่งชิ้นงานสำหรับเลื่อยได้อย่างถูกต้องแม่นยำโดยไม่ต้องเปิดกระบังป้องกันใบเลื่อยชนิดชักมันด์

- เปิดสวิตช์ลำแสงเลเซอร์ด้วยสวิตช์ (59)
- จัดแนวเครื่องหมายของท่านบนชิ้นงานระหว่างเส้นเลเซอร์ทั้งสอง

มิติชิ้นงานที่อนุญาต

ชิ้นงานสูงสุด:

มุมเอียงในแนว นอน	มุมเอียงในแนว ตั้ง	สูง x กว้าง [มม.]	
		ชิ้นงานทาบกับแผ่นกัน	ชิ้นงานทาบกับสเปเซอร์ (อุปกรณ์ประกอบ)
0°	0°	104 x 341	110 x 240
45°	0°	104 x 240	110 x 110
0°	45° (ซ้าย)	51 x 341	51 x 295
0°	45° (ขวา)	38 x 341	38 x 295
45°	45° (ซ้าย)	51 x 240	51 x 200
45°	45° (ขวา)	38 x 240	38 x 200

ขนาดชิ้นงานต่ำสุด (= ชิ้นงานทั้งหมดที่สามารถหนีบเข้าทางซ้ายหรือทางขวาจากใบเลื่อยด้วยแคลมป์ยึดวัสดุ (18) ที่จัดลงมา): 160 x 335 มม. (ความยาว x ความกว้าง)

ความลึกการตัดสูงสุด (0°/0°): 104 มม.

การเลื่อย

- ▶ **ขันลูกบิดล็อก (11) และค้ำหนีบ (13) เข้าให้แน่นก่อนเลื่อยเสมอ** มิฉะนั้นใบเลื่อยอาจติดขัดในชิ้นงานได้

หมายเหตุ: ก่อนเลื่อย ให้ตรวจสอบว่าเส้นตัดยังคงแสดงให้เห็นอย่างถูกต้องหรือไม่ ลำแสงเลเซอร์อาจเลื่อนจากตำแหน่ง ต. ย. เช่น เนื่องจาก การสั่นสะเทือนจากการใช้งานหนัก

ตำแหน่งของผู้ใช้งานเครื่อง (รูปภาพประกอบ N)

- ▶ **อย่ายืนในแนวเดียวกับใบเลื่อยตรงหน้าเครื่อง ต้องยืนเฉียงไปทางด้านข้างใบเลื่อยเสมอ** ในลักษณะนี้ร่างกายของท่านจะได้รับการปกป้องจากการตีกลับที่อาจเกิดขึ้น
- เอามือ นิ้ว และแขนออกห่างจากใบเลื่อยที่กำลังหมุน
- อย่าไขว้มือของท่านตรงด้านหน้าแขนเลื่อน (27)

การเปลี่ยนแผ่นสอด (รูปภาพประกอบ O)

แผ่นสอดสีแดง (9) สามารถสีกหรือได้หลังใช้งานเครื่องมือไฟฟ้าเป็นเวลานาน

เปลี่ยนแผ่นสอดที่ชำรุด

- วางเครื่องในตำแหน่งทำงาน
- ชันสกรู (60) ออกด้วยประแจขันหกเหลี่ยม (4 มม.) (16) และถอดแผ่นสอดอันเก่าออก
- ใส่แผ่นสอดด้านขวาอันใหม่เข้า
- ชันแผ่นสอดเข้าไปทางขวาให้มากที่สุดด้วยสกรู (60) เพื่อใบเลื่อยจะไม่สัมผัสกับแผ่นสอดตลอดความยาวทั้งหมดที่สไลด์ได้
- ทำซ้ำขั้นตอนในลักษณะเดียวกันสำหรับแผ่นสอดด้านซ้าย

การเลื่อยแบบไม่สไลด์ (การตัดออก) (รูปภาพประกอบ P)

- เลื่อนแขนเลื่อน (27) ไปทางด้านท้ายทั้งหมด และยึดให้แน่นในตำแหน่งนี้
- ตรวจสอบให้แน่ใจว่าก้านวัดความลึก (29) ถูกดันเข้าด้าน

ในทั้งหมด และสกรูปรับ (28) พอดีกับช่องเว้าโดยไม่สัมผัสกับวัดความลึกเมื่อเคลื่อนแขนเลื่อน

- หนีบชิ้นงานตามขนาดของชิ้นงานให้แน่น
- ปรับตั้งมุมเอียงที่ต้องการ (แนวนอนและ/หรือแนวตั้ง) หากจำเป็น
- เปิดสวิตช์เครื่องมือไฟฟ้า
- เลื่อนแขนเลื่อน (27) ตรงตามจับ (1) ลงอย่างช้าๆ
- เลื่อนผ่านชิ้นงานด้วยอัตราป้อนคงที่
- ปิดสวิตช์เครื่องมือไฟฟ้าและรอจนใบเลื่อยหยุดสนิท
- เลื่อนแขนเลื่อน (27) ขึ้นอย่างช้าๆ

การเลื่อยแบบสไลด์ (รูปภาพประกอบ Q)

▶ จับตามจับอย่างมั่นคงก่อนเปิดสวิตช์และระหว่างกระบวนการเลื่อยทั้งหมด ขณะเลื่อย ให้ควบคุมการเคลื่อนไหวด้วยแขนเลื่อน ในช่วงเวลาที่ขาดความเอาใจใส่ แขนเลื่อนที่เคลื่อนย้ายได้ง่ายมากอาจทำให้ได้รับบาดเจ็บสาหัส

- การปลดแขนเลื่อน (27) ตรวจสอบว่ากลไกเลื่อนทั้งหมดทำงานหรือไม่โดยสไลด์แขนเลื่อน (27) ไปมา
- หนีบชิ้นงานตามขนาดของชิ้นงานให้แน่น
- ปรับตั้งมุมเอียงที่ต้องการ (แนวนอนและ/หรือแนวตั้ง) หากจำเป็น
- ดึงแขนเลื่อน (27) ตรงตามจับ (1) ออกจากแผ่นกัน (6) จนใบเลื่อยอยู่ด้านหน้าชิ้นงาน
- เปิดสวิตช์เครื่องมือไฟฟ้า
- เลื่อนแขนเลื่อน (27) ตรงตามจับ (1) ลงอย่างช้าๆ
- ดันแขนเลื่อน (27) ไปในทิศทางแผ่นกัน (6) และเลื่อยผ่าชิ้นงานโดยการป้อนอย่างสม่ำเสมอ
- ปิดสวิตช์เครื่องมือไฟฟ้าและรอจนใบเลื่อยหยุดสนิท
- เลื่อนแขนเลื่อน (27) ขึ้นอย่างช้าๆ

การเลื่อยชิ้นงานยาวเท่ากัน (รูปภาพประกอบ R)

ท่านสามารถใช้ก้านหยุดความยาว (35) (อุปกรณ์ประกอบ) เพื่อเลื่อยชิ้นงานให้มีความยาวเท่ากันอย่างง่ายดาย ท่านสามารถติดตั้งก้านหยุดความยาวที่ส่วนขยายโต๊ะเลื่อย (7) ทั้งสองด้าน

- คลายสลกรูล็อค (34) ออก และหมุนก้านหยุดความยาว (35) มาเหนือสลกรูหนีบ (61)
- ขันสลกรูล็อค (34) กลับเข้าให้แน่นอีกครั้ง
- ปรับส่วนขยายโต๊ะเลื่อย (7) ไปยังความยาวที่ต้องการ

การปรับก้านวัดความลึก (การเลื่อยเซาะร่อง) (รูปภาพประกอบ S)

ต้องปรับก้านวัดความลึกเมื่อต้องการเลื่อยเซาะร่องหรือใช้สเปเซอร์

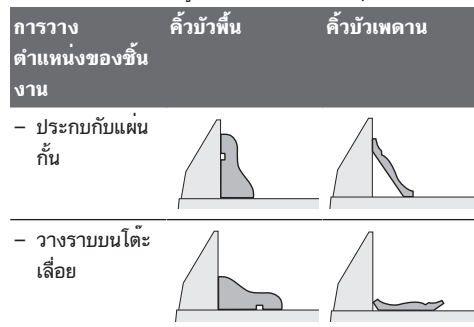
- หมุนก้านวัดความลึก (29) ออกไปด้านนอก
- หมุนแขนเลื่อน (27) ตรงตามจับ (1) ไปยังตำแหน่งที่ต้องการ
- หมุนสกรูปรับ (28) จนปลายสลกรูล็อคสัมผัสกับวัดความลึก (29)
- เลื่อนแขนเลื่อน (27) ขึ้นอย่างช้าๆ

ชิ้นงานพิเศษ

เมื่อต้องการตัดชิ้นงานที่มีรูปทรงโค้งงอหรือทรงกลม ต้องยึดชิ้นงานเหล่านี้ให้แน่นเป็นพิเศษเพื่อป้องกันการสั่นไหวที่เสถียรที่สุดไม่มีช่องว่างระหว่างชิ้นงาน แผ่นกัน และโต๊ะเลื่อยจัดเตรียมอุปกรณ์ยึดจับพิเศษ หากจำเป็น

การทำงานกับแผ่นรูปทรง

ท่านสามารถเลื่อยแผ่นรูปทรงได้สองแบบต่างๆ กัน:



นอกจากนี้ยังสามารถตัดแบบสไลด์หรือไมสไลด์ก็ได้ ทั้งนี้ขึ้นอยู่กับความกว้างของแผ่นรูปทรง

ทดลองตัดมุมเอียงที่ตั้งไว้ (แนวนอนและ/หรือแนวตั้ง) กับเศษไม้ก่อนเสมอ

การตรวจสอบและปรับตั้งการปรับพื้นฐาน

เพื่อให้แน่ใจว่าจะตัดชิ้นงานได้อย่างแม่นยำ หลังการใช้งานหนักท่านต้องตรวจสอบการปรับพื้นฐานของเครื่องมือไฟฟ้าและปรับตั้ง หากจำเป็น

สำหรับเรื่องนี้ท่านต้องมีประสบการณ์และเครื่องมือพิเศษที่สอดคล้องกัน

ศูนย์บริการลูกค้า บอช

ให้บริการบำรุงรักษาได้รวดเร็วและเชื่อถือได้

การปรับเลเซอร์

หมายเหตุ: เมื่อต้องการทดสอบการทำงานของเลเซอร์ ต้องเชื่อมต่อเครื่องมือไฟฟ้ากับแหล่งจ่ายกระแสไฟฟ้า

- ▶ **ในขณะที่ปรับเลเซอร์ (ต. ย. เช่น เมื่อเคลื่อนแขนเครื่องมือ) อย่ากดสวิตช์เปิด-ปิดอย่างเด็ดขาด** การติดตั้งเองโดยไม่ตั้งใจของเครื่องมือไฟฟ้าอาจทำให้บาดเจ็บได้
- วางเครื่องในตำแหน่งทำงาน
- หมุนโต๊ะเลื่อย (37) ไปจนถึงช่องกัก (14) สำหรับ 0° คำนปรับ (12) ต้องขบเข้าในช่องกักอย่างรู้สึกได้

การตรวจสอบ (คุณภาพประกอบ T1)

- วาดเส้นตัดตรงบนชิ้นงาน
- เลื่อนแขนเลื่อน (27) ตรงตามจับ (1) ลงอย่างช้าๆ
- จัดตำแหน่งชิ้นงานในลักษณะให้พื้นของใบเลื่อยอยู่ตรงแนวกับเส้นตัด
- จับชิ้นงานไว้บนตำแหน่งนี้ให้แน่น และเลื่อนแขนเลื่อนขึ้นอย่างช้าๆ อีกครั้ง
- หนีบชิ้นงานให้แน่น
- เปิดสวิตช์ลำแสงเลเซอร์ด้วยสวิตช์ (59)

ลำแสงเลเซอร์ต้องมีระยะช่องว่างเดียวกันไปยังเส้นตัดที่วาดไว้บนชิ้นงานตลอดความยาวทั้งหมดทั้งทางซ้ายและทางขวา แม้เมื่อเลื่อนแขนเลื่อนลง

การถอดฝาครอบป้องกันเลเซอร์ (คุณภาพประกอบ T2)

- คลายสกรูสองตัว (62) ของฝาครอบป้องกันเลเซอร์ (26) ออกด้วยประแจขันหกเหลี่ยม (4 มม.) (16)
- หมายเหตุ:** ในการเข้าถึงสกรูด้านหน้าของฝาครอบป้องกันเลเซอร์ ท่านต้องหมุนแขนเลื่อนลงเล็กน้อยจนสามารถถอดประแจขันหกเหลี่ยมผ่านช่องของกระบังป้องกันใบเลื่อยชนิดซักรินได้

การปรับความราบเป็นระดับเดียวกัน (คุณภาพประกอบ T3)

- ถอดฝาครอบป้องกันเลเซอร์ (26) ออก
- 1. การปรับลำแสงเลเซอร์ด้านขวา:
 - หมุนสกรูปรับด้านหลัง (63) ด้วยประแจขันหกเหลี่ยม (17) จนลำแสงเลเซอร์ทางขวากับเส้นตัดที่วาดไว้บนชิ้นงานราบเป็นระดับเดียวกันตลอดความยาวทั้งหมด
 - ลำแสงเลเซอร์ด้านซ้ายจะย้ายไปตามด้วย

การหมุนในทิศทวนเข็มนาฬิกาหนึ่ง

รอบจะย้ายลำแสงเลเซอร์จากซ้ายไปขวา การ

หมุนในทิศตามเข็มนาฬิกาหนึ่ง

รอบจะย้ายลำแสงเลเซอร์จากขวาไปซ้าย

- 2. การปรับลำแสงเลเซอร์ด้านซ้าย:

- หมุนสกรูปรับด้านหน้า (63) ด้วยประแจขันหกเหลี่ยม (17) จนลำแสงเลเซอร์ด้านซ้ายมีระยะห่างจากเส้นตัดที่วาดไว้บนชิ้นงานเหมือนกับลำแสงเลเซอร์ด้านขวา

การหมุนในทิศทวนเข็มนาฬิกาหนึ่ง

รอบจะย้ายลำแสงเลเซอร์จากซ้ายไปขวา การ

หมุนในทิศตามเข็มนาฬิกาหนึ่ง

รอบจะย้ายลำแสงเลเซอร์จากขวาไปซ้าย

- ยึดฝาครอบป้องกันเลเซอร์ (26) กลับเข้าที่อีกครั้ง

การปรับความขนาน (คุณภาพประกอบ T4)

- ถอดฝาครอบป้องกันเลเซอร์ (26) ออก
- คลายสกรูยึด (64) ออก (ประมาณ 1-2 รอบหมุน) ด้วยประแจขันหกเหลี่ยม (17) อายาขันสกรูออกจนสุด
- เลื่อนแผ่นติดตั้งของเลเซอร์ไปทางขวาหรือทางซ้ายจนลำแสงเลเซอร์ขนานกับเส้นตัดที่วาดไว้บนชิ้นงานตลอดความยาวทั้งหมด
- จับแผ่นติดตั้งไว้ในตำแหน่งนี้ และขันสกรูยึด (64) กลับเข้าให้แน่นอีกครั้ง
- หลังจากปรับแล้ว ให้ตรวจสอบความราบเป็นระดับเดียวกันกับเส้นตัดอีกครั้งหนึ่ง จัดแนวลำแสงเลเซอร์ด้วยสกรูปรับ (63) อีกครั้งหนึ่ง หากจำเป็น
- ยึดฝาครอบป้องกันเลเซอร์ (26) กลับเข้าที่อีกครั้ง

การปรับส่วนเบี่ยงเบนด้านข้างเมื่อเคลื่อนแขนเลื่อน (คุณภาพประกอบ T5)

- ถอดฝาครอบป้องกันเลเซอร์ (26) ออก
- คลายสกรูยึดทั้งสองตัว (65) ออก (ประมาณ 1-2 รอบหมุน) ด้วยประแจขันหกเหลี่ยม (17) อายาขันสกรูออกจนสุด
- เลื่อนฝาครอบของเลเซอร์ไปทางขวาหรือทางซ้ายจนลำแสงเลเซอร์ไม่เบี่ยงเบนไปด้านข้างอีกเมื่อจับแขนเลื่อนลง
- หลังจากปรับแล้ว ให้ตรวจสอบความราบเป็นระดับเดียวกันกับเส้นตัดอีกครั้งหนึ่ง จัดแนวลำแสงเลเซอร์ด้วยสกรูปรับ (63) อีกครั้งหนึ่ง หากจำเป็น
- จับฝาครอบของเลเซอร์ไว้ในตำแหน่งนี้ และขันสกรูยึด (65) กลับเข้าให้แน่นอีกครั้ง
- ยึดฝาครอบป้องกันเลเซอร์ (26) กลับเข้าที่อีกครั้ง

การปรับมุมเอียงมาตรฐานในแนวตั้ง 0°

- วางเครื่องในตำแหน่งขบย้าย
- หมุนโต๊ะเลื่อย (37) ไปจนถึงช่องกัก (14) สำหรับ 0° คำนปรับ (12) ต้องขบเข้าในช่องกักอย่างรู้สึกได้

การตรวจสอบ (คุณภาพประกอบ U1)

- ตั้งอุปกรณ์วัดมุมที่ 90° และวางไว้บนโต๊ะเลื่อย (37) ขาของอุปกรณ์วัดมุมต้องทาบเรียบกับใบเลื่อย (39) ตลอดความยาวทั้งหมด

การปรับ (คุณภาพประกอบ U2)

- คลายตามหนีบ (13) ออก

- คลายสกรูปรับทั้งสองตัว (66) ออก (อย่างน้อย 1 รอบ หมุน) ด้วยประแจบ็อกซ์ (10 มม.)
- คลายสกรูปรับ (68) ออก (ประมาณ 3 รอบหมุน) ด้วย ประแจขันหกเหลี่ยม (4 มม.) (16)
- ขันสกรูปรับ (67) เข้าหรือออกด้วยประแจขันหกเหลี่ยม (4 มม.) (16) จนขาของอุปกรณ์วัดมุมทาบเรียบกับใบ เลื่อยตลอดความยาวทั้งหมด
- ยึดค้ำหนีบ (13) กลับเข้าที่ให้แน่นอีกครั้ง จากนั้นให้ขัน สกรูปรับ (68) ก่อน แล้วจึงขันสกรูปรับ (66) กลับเข้าให้แน่นอีกครั้ง

ในกรณีที่เมื่อปรับแล้วเข็มชี้มุม (32) และ (20) ไม่อยู่ใน แนวเส้นขีด 0° ของมาตราส่วน (31) ให้คลายสกรูยึดของ เข็มชี้มุมออกด้วยไขควงปากแฉก และวางแนวเข็มชี้มุมเทียบ กับเส้นขีด 0°

การปรับมุมเอียงมาตรฐานในแนวตั้ง 45° (ซ้าย)

- วางเครื่องในตำแหน่งทำงาน
- หมุนโต๊ะเลื่อย (37) ไปจนถึงช่องกัก (14) สำหรับ 0° ค้นปรับ (12) ต้องขบเข้าในช่องกักอย่างรู้สึกได้
- ดึงแผ่นกันปรับได้ด้านซ้าย (5) ออกมาด้านนอกทั้งหมด
- คลายค้ำหนีบ (13) ออก และหมุนแขนเลื่อนตรงด้ามจับ (1) ไปทางซ้ายจนสุด (45°)

การตรวจสอบ (คุณภาพประกอบ V1)

- ตั้งอุปกรณ์วัดมุมที่ 45° และวางไว้บนโต๊ะเลื่อย (37) ขาของอุปกรณ์วัดมุมต้องทาบเรียบกับใบเลื่อย (39) ตลอดความยาวทั้งหมด

การปรับ (คุณภาพประกอบ V2)

- ขันสกรูปรับ (69) เข้าหรือออกด้วยประแจปากตาย (8 มม.) จนขาของอุปกรณ์วัดมุมทาบเรียบกับใบเลื่อยตลอด ความยาวทั้งหมด
- ยึดค้ำหนีบ (13) กลับเข้าที่ให้แน่นอีกครั้ง

ในกรณีที่เมื่อปรับแล้วเข็มชี้มุม (32) และ (20) ไม่อยู่ในแนว เส้นขีด 45° ของมาตราส่วน (31) ในขั้นแรกให้ตรวจสอบ การตั้ง 0° สำหรับมุมเอียงในแนวตั้งและเข็มชี้มุมอีกครั้ง จาก นั้นจึงปรับซ้ำมุมเอียงในแนวตั้ง 45°

การปรับมุมเอียงมาตรฐานในแนวตั้ง 45° (ขวา)

- วางเครื่องในตำแหน่งทำงาน
- หมุนโต๊ะเลื่อย (37) ไปจนถึงช่องกัก (14) สำหรับ 0° ค้นปรับ (12) ต้องขบเข้าในช่องกักอย่างรู้สึกได้
- ดึงแผ่นกันปรับได้ด้านขวา (5) ออกมาด้านนอกทั้งหมด
- คลายค้ำหนีบ (13) ออก
- เอียงแขนเลื่อนตรงด้ามจับ (1) ออกจากตำแหน่ง 0° ไปทางซ้ายเล็กน้อย และหมุนลูกบิดหมุน (38) จนแสดงช่วงมุมเอียงในแนวตั้งด้านขวา

45°R

- หมุนแขนเลื่อนตรงด้ามจับ (1) ไปทางขวาจนสุด (45°)

การตรวจสอบ (คุณภาพประกอบ W1)

- ตั้งอุปกรณ์วัดมุมที่ 135° และวางไว้บนโต๊ะเลื่อย (37) ขาของอุปกรณ์วัดมุมต้องทาบเรียบกับใบเลื่อย (39) ตลอดความยาวทั้งหมด

การปรับ (คุณภาพประกอบ W2)

- ขันสกรูปรับ (70) เข้าหรือออกด้วยประแจปากตาย (8 มม.) จนขาของอุปกรณ์วัดมุมทาบเรียบกับใบเลื่อยตลอด ความยาวทั้งหมด
- ยึดค้ำหนีบ (13) กลับเข้าที่ให้แน่นอีกครั้ง

ในกรณีที่เมื่อปรับแล้วเข็มชี้มุม (32) และ (20) ไม่อยู่ในแนว เส้นขีด 45° ของมาตราส่วน (31) ในขั้นแรกให้ตรวจสอบ การตั้ง 0° สำหรับมุมเอียงในแนวตั้งและเข็มชี้มุมอีกครั้ง จาก นั้นจึงปรับซ้ำมุมเอียงในแนวตั้ง 45°

การปรับแนวมาตราส่วนมุมเอียงในแนวนอน

- วางเครื่องในตำแหน่งทำงาน
- หมุนโต๊ะเลื่อย (37) ไปจนถึงช่องกัก (14) สำหรับ 0° ค้นปรับ (12) ต้องขบเข้าในช่องกักอย่างรู้สึกได้

การตรวจสอบ (คุณภาพประกอบ X1)

- ปรับอุปกรณ์วัดมุมไปที่ 90° และวางไว้ระหว่างแผ่นกัน (6) และใบเลื่อย (39) บนโต๊ะเลื่อย (37)

ขาของอุปกรณ์วัดมุมต้องทาบเรียบกับใบเลื่อย (39) ตลอดความยาวทั้งหมด

การปรับ (คุณภาพประกอบ X2)

- คลายสกรูตั้งตั้งสี่ตัว (71) ออกด้วยประแจขันหกเหลี่ยม (4 มม.) (16) และหมุนโต๊ะเลื่อย (37) พร้อมกับ มาตราส่วน (36) จนขาของอุปกรณ์วัดมุมทาบเรียบกับใบ เลื่อยตลอดความยาวทั้งหมด
- ขันสกรูกลับให้แน่นอีกครั้ง

ในกรณีที่เมื่อปรับแล้วเข็มชี้มุม (57) ไม่อยู่ในแนวเส้นขีด 0° ของมาตราส่วน (36) ให้คลายสกรู (72) ออก ด้วยไขควงปากแฉก และวางแนวเข็มชี้มุมเทียบกับเส้นขีด 0°

การปรับแรงหนีบของค้นหนีบ (13) (คุณภาพประกอบ Y)

ท่านสามารถปรับแรงหนีบของค้นหนีบ (13) ได้

การตรวจสอบ

- แรงหนีบของค้นหนีบต้องยึดตำแหน่งของแขนเลื่อนที่มุม เอียงในแนวตั้งทั้งหมดไว้อย่างแน่นหนา

การปรับ

- คลายค้ำหนีบ (13) ออก
- หมุนสกรูปรับ (73) ในทิศทางเข็มนาฬิกาด้วยประแจ บ็อกซ์ (17 มม.) เพื่อลดแรงหนีบ หรือหมุนในทิศทางเข็มนาฬิกาเพื่อเพิ่มแรงหนีบ

- ปรับมุมเอียงในแนวตั้ง ยึดค้ำหมับ (13) กลับเข้าที่แน่นอีกครั้ง และตรวจสอบว่าได้แรงหมับที่ต้องการแล้วหรือไม่

การขนย้าย (ดูภาพประกอบ Z)

ก่อนขนย้ายเครื่องมือไฟฟ้าต้องทำตามขั้นตอนต่อไปนี้:

- เลื่อนแขนเลื่อน (27) ไปทางด้านท้ายทั้งหมด และยึดให้แน่นในตำแหน่งนี้
 - ตรวจสอบให้แน่ใจว่าก้านวัดความลึก (29) ถูกดันเข้าด้านในทั้งหมด และสกรูปรับ (28) พอดีกับช่องเว้าโดยไม่มีสัมผัสก้านวัดความลึกเมื่อเคลื่อนแขนเลื่อน
 - เลื่อนแขนเลื่อนลงไปจนสามารถดันล้อคิรกีสำหรับขนย้าย (30) เข้าด้านในทั้งหมด
 - เลื่อนส่วนขยายโต๊ะเลื่อย (7) เข้าด้านในทั้งหมด
 - ตั้งมุมเอียงในแนวตั้งไปที่ 0° และยึดค้ำหมับ (13) เข้าที่แน่น
 - หมุนโต๊ะเลื่อย (37) ไปทางซ้ายจนสุด และหมุนลูกบิดล้อค (11) เข้าที่แน่น
 - มัดสายไฟฟ้าด้วยสายรัดตีนตุ๊กแก (74)
 - ถอดอุปกรณ์ประกอบทั้งหมดที่ไม่สามารถติดตั้งกับเครื่องมือไฟฟ้าได้อย่างแน่นหนา
 - หากเป็นไปได้ให้ขนย้ายใบเลื่อยที่ไม่ใช่ขางโดยใส่ในภาชนะบรรจุที่ปิดฝา
 - สำหรับการขนย้าย ให้ถือเครื่องตรงค้ำจับเว้า (15) บนด้านข้างของโต๊ะเลื่อย
- ▶ เมื่อขนย้ายเครื่องมือไฟฟ้า ให้ยกจับที่อุปกรณ์สำหรับขนย้ายเท่านั้น และอย่ายกจับที่อุปกรณ์ป้องกันอันตราย แขนเลื่อน หรือค้ำจับ

การบำรุงรักษาและการบริการ

การบำรุงรักษาและการทำความสะอาด

- ▶ ดึงปลั๊กไฟออกจากเต้าเสียบก่อนปรับแต่งเครื่อง
- ▶ เพื่อให้ทำงานได้อย่างถูกต้องและปลอดภัย ต้องรักษาเครื่องและช่องระบายอากาศให้สะอาดอยู่เสมอ

หากจำเป็นต้องเปลี่ยนสายไฟฟ้า ต้องส่งเครื่องให้ Bosch หรือศูนย์บริการหลังการขายที่ได้รับมอบหมายสำหรับเครื่องมือไฟฟ้า Bosch เปลี่ยนให้ ทั้งนี้เพื่อหลีกเลี่ยงอันตราย กระบ้งป้องกันใบเลื่อยชนิดซักรันได้ต้องเคลื่อนไหวไปมาได้อย่างอิสระและร่นบิดได้โดยอัตโนมัติตลอดเวลา ดังนั้นต้องรักษารูบริเวณรอบๆ กระบ้งป้องกันใบเลื่อยชนิดซักรันได้ให้สะอาดอยู่เสมอ

- ใช้แปรงขัดผงฝุ่นและเศษไม้ออกหลังเสร็จงานทุกครั้ง

- ทำความสะอาดลูกกลิ้ง (19) และแขนเลื่อน (27) เป็นประจำ

อุปกรณ์ประกอบ

	หมายเลขสินค้า
แคลมป์ยึดวัสดุ	1 609 B06 203
แผ่นสอด	1 609 B04 470
ถุงเก็บผง	1 609 B05 010
ข้อต่อท่อดูดออก	2 607 001 977
โต๊ะเลื่อย GTA 2500 W	0 601 B12 100
โต๊ะเลื่อย GTA 3800	0 601 B24 000
เครื่องดูดฝุ่นไม้ GAS 35 M AFC	0 601 9C3 100
ใบเลื่อยสำหรับไม้และวัสดุที่เป็นแผ่น แผ่นกระดาน และแผ่นไมยาว/คิ้วบัว	
ใบเลื่อย 305 x 25.4 มม. 60 ซีฟัน	2 608 640 914
ใบเลื่อยสำหรับวัสดุสังเคราะห์และโลหะนอกกลุ่มเหล็ก	
ใบเลื่อย 305 x 25.4 มม. 96 ซีฟัน	2 608 642 205
ใบเลื่อย 305 x 25.4 มม. 96 ซีฟัน	2 608 642 206

การบริการหลังการขายและการให้คำปรึกษาการใช้งาน

ศูนย์บริการหลังการขายของเรายินดีตอบคำถามของท่านที่เกี่ยวกับการบำรุงรักษาและการซ่อมแซมผลิตภัณฑ์รวมทั้งเรื่องอะไหล่ ภาพเขียนแบบการประกอบและข้อมูลเกี่ยวกับอะไหล่ กรุณาดูใน: www.bosch-pt.com ที่โรงงานที่ปรึกษาของ บอช ยินดีให้ข้อมูลเกี่ยวกับผลิตภัณฑ์ของเราและอุปกรณ์ประกอบต่างๆ เมื่อต้องการสอบถามและสั่งซื้ออะไหล่ กรุณาแจ้งหมายเลขสินค้า 10 หลักบนแผ่นป้ายรุ่นของผลิตภัณฑ์ทุกครั้ง

ไทย

ไทย บริษัท โรเบิร์ต บอช จำกัด
 เอฟวายไอ เซ็นเตอร์ อาคาร 1 ชั้น 5
 เลขที่ 2525 ถนนพระราม 4
 แขวงคลองเตย เขตคลองเตย กรุงเทพฯ 10110
 โทร: +66 2012 8888
 แฟกซ์: +66 2064 5800
www.bosch.co.th
 ศูนย์บริการซ่อมและฝึกอบรม บอช
 อาคาร ลานชาลาทาวเวอร์ ชั้น G ห้องเลขที่ 2
 บ้านเลขที่ 10/11 หมู่ 16
 ถนนศรีนครินทร์ ตำบลบางแก้ว อำเภอบางพลี

จังหวัดสมุทรปราการ 10540

ประเทศไทย

โทรศัพท์ 02 7587555

โทรสาร 02 7587525

การกำจัดขยะ

เครื่องมือไฟฟ้า อุปกรณ์ประกอบ และหีบห่อ ต้องนำไปแยกประเภทวัสดุเพื่อการรีไซเคิลที่เป็นมิตรต่อสิ่งแวดล้อม



อย่าทิ้งเครื่องมือไฟฟ้าลงในขยะครัวเรือน!

Bahasa Indonesia

Petunjuk Keselamatan

Petunjuk Keselamatan Umum Perkakas Listrik

⚠ PERINGATAN Baca semua peringatan, petunjuk, ilustrasi, dan spesifikasi keselamatan yang diberikan bersama perkakas listrik ini. Kesalahan dalam menjalankan petunjuk di bawah ini dapat mengakibatkan sengatan listrik, kebakaran, dan/atau cedera serius.

Simpanlah semua peringatan dan petunjuk untuk penggunaan di masa mendatang.

Istilah "perkakas listrik" dalam peringatan mengacu pada perkakas listrik yang dioperasikan dengan listrik (menggunakan kabel) atau perkakas listrik yang dioperasikan dengan baterai (tanpa kabel).

Keamanan tempat kerja

- ▶ **Jaga kebersihan dan pencahayaan area kerja.** Area yang berantakan atau gelap dapat memicu kecelakaan.
- ▶ **Jangan mengoperasikan perkakas listrik di lingkungan yang dapat memicu ledakan, seperti adanya cairan, gas, atau debu yang mudah terbakar.** Perkakas listrik dapat memancarkan bunga api yang kemudian mengakibatkan debu atau uap terbakar.
- ▶ **Jauhkan dari jangkauan anak-anak dan pengamat saat mengoperasikan perkakas listrik.** Gangguan dapat menyebabkan hilangnya kendali.

Keamanan listrik

- ▶ **Steker perkakas listrik harus sesuai dengan stopkontak. Jangan pernah memodifikasi steker. Jangan menggunakan steker adaptor bersama dengan perkakas listrik yang terhubung dengan sistem grounding.** Steker yang tidak dimodifikasi dan stopkontak yang cocok akan mengurangi risiko sengatan listrik.

- ▶ **Hindari kontak badan dengan permukaan yang terhubung dengan sistem grounding, seperti pipa, radiator, kompor, dan lemari es.** Terdapat peningkatan risiko terjadinya sengatan listrik jika badan Anda terhubung dengan sistem grounding.
- ▶ **Perkakas listrik tidak boleh terpapar hujan atau basah.** Air yang masuk ke dalam perkakas listrik menambah risiko terjadinya sengatan listrik.
- ▶ **Jangan menyalahgunakan kabel. Jangan gunakan kabel untuk membawa, menarik, atau melepas steker perkakas listrik. Jauhkan kabel dari panas, minyak, tepi yang tajam, atau komponen yang bergerak.** Kabel listrik yang rusak atau tersangkut menambah risiko terjadinya sengatan listrik.
- ▶ **Saat mengoperasikan perkakas listrik di luar ruangan, gunakan kabel ekstensi yang sesuai untuk penggunaan di luar ruangan.** Penggunaan kabel yang cocok untuk pemakaian di luar ruangan mengurangi risiko terjadinya sengatan listrik.
- ▶ **Jika perkakas listrik memang harus dioperasikan di tempat yang lembap, gunakan pemutus arus listrik residu (RCD).** Penggunaan RCD akan mengurangi risiko terjadinya sengatan listrik.

Keselamatan personel

- ▶ **Tetap waspada, perhatikan aktivitas yang sedang dikerjakan dan gunakan akal sehat saat mengoperasikan perkakas listrik. Jangan gunakan perkakas listrik saat mengalami kelelahan atau di bawah pengaruh narkoba, alkohol, atau obat-obatan.** Jika perkakas listrik dioperasikan dengan daya konsentrasi yang rendah, hal tersebut dapat menyebabkan cedera serius.
- ▶ **Gunakan peralatan pelindung diri. Selalu kenakan pelindung mata.** Penggunaan perlengkapan pelindung seperti penutup telinga, helm, sepatu anti licin, dan masker debu akan mengurangi cedera.
- ▶ **Hindari start yang tidak disengaja. Pastikan switch berada di posisi off sebelum perkakas listrik dihubungkan ke sumber daya listrik dan/atau baterai, diangkat, atau dibawa.** Membawa perkakas listrik dengan jari menempel pada tombol atau perkakas listrik dalam keadaan hidup dapat memicu kecelakaan.
- ▶ **Singkirkan kunci penyetel atau kunci pas sebelum menghidupkan perkakas listrik.** Perkakas atau kunci pas yang masih menempel pada komponen perkakas listrik yang berputar dapat menyebabkan cedera.
- ▶ **Jangan melampaui batas. Berdirilah secara mantap dan selalu jaga keseimbangan.** Hal ini akan memberikan kontrol yang lebih baik terhadap perkakas listrik pada situasi yang tak terduga.
- ▶ **Kenakan pakaian dengan wajar. Jangan mengenakan perhiasan atau pakaian yang longgar. Jauhkan rambut dan pakaian dari komponen yang bergerak.** Pakaian yang longgar, rambut panjang, atau perhiasan dapat tersangkut dalam komponen yang bergerak.

- ▶ **Jika disediakan perangkat untuk sambungan pengisapan debu dan alat pengumpulan, pastikan perangkat tersebut terhubung dan digunakan dengan benar.** Penggunaan alat pengumpulan dapat mengurangi bahaya yang disebabkan oleh debu.
- ▶ **Jangan berpuas diri dan mengabaikan prinsip keselamatan karena terbiasa mengoperasikan perkakas.** Tindakan yang kurang hati-hati dapat mengakibatkan cedera serius dalam waktu sepersekian detik.

Penggunaan dan pemeliharaan perkakas listrik

- ▶ **Jangan memaksakan perkakas listrik. Gunakan perkakas listrik yang sesuai untuk pekerjaan yang dilakukan.** Perkakas listrik yang sesuai akan bekerja dengan lebih baik dan aman sesuai tujuan penggunaan.
- ▶ **Jangan gunakan perkakas listrik dengan switch yang tidak dapat dioperasikan.** Perkakas listrik yang switchnya yang tidak berfungsi dapat menimbulkan bahaya dan harus diperbaiki.
- ▶ **Lepaskan steker dari sumber listrik dan/atau lepas baterai, jika dapat dilepaskan dari perkakas listrik sebelum menyatel, mengganti aksesor, atau menyimpan perkakas listrik.** Tindakan preventif akan mengurangi risiko menghidupkan perkakas listrik secara tidak disengaja.
- ▶ **Jauhkan dan simpan perkakas listrik dari jangkauan anak-anak dan jangan biarkan orang-orang yang tidak mengetahui cara menggunakan perkakas listrik, mengoperasikan perkakas listrik.** Perkakas listrik dapat membahayakan jika digunakan oleh orang-orang yang tidak terlatih.
- ▶ **Lakukan pemeliharaan perkakas listrik dan aksesor.** Periksa komponen yang bergerak apabila tidak lurus atau terikat, kerusakan komponen, dan kondisi lain yang dapat mengganggu pengoperasian perkakas listrik. Apabila rusak, perbaiki perkakas listrik sebelum digunakan. Kecelakaan sering terjadi karena perkakas listrik tidak dirawat dengan baik.
- ▶ **Jaga ketajaman dan kebersihan alat.** Alat pemotong dengan pisau pemotong yang tajam dan dirawat dengan baik tidak akan mudah tersangkut dan lebih mudah dikendalikan.
- ▶ **Gunakan perkakas listrik, aksesor, dan komponen perkakas dll sesuai dengan petunjuk ini, dengan mempertimbangkan kondisi kerja dan pekerjaan yang akan dilakukan.** Penggunaan perkakas listrik untuk tujuan berbeda dari fungsinya dapat menyebabkan situasi yang berbahaya.
- ▶ **Jaga gagang dan permukaan genggam agar tetap kering, bersih, dan bebas dari minyak dan lemak.** Gagang dan permukaan genggam yang licin tidak menjamin keamanan kerja dan kontrol alat yang baik pada situasi yang tidak terduga.

Servis

- ▶ **Minta teknisi berkualifikasi untuk menyervis perkakas listrik dengan hanya menggunakan suku**

cadang yang identik. Dengan demikian, hal ini akan memastikan keamanan perkakas listrik.

Petunjuk Keselamatan untuk Gergaji Miter (Mitre Saw)

- ▶ **Gergaji miter ditujukan untuk memotong kayu atau produk berbahan sejenis kayu. Gergaji ini tidak dapat digunakan dengan cakram pemotong abrasif untuk memotong material dari besi seperti batang, tongkat, tiang, dll.** Debu abrasif menyebabkan komponen yang bergerak, seperti pelindung bagian bawah, menjadi tersendat. Percikan api dari pemotongan abrasif akan membakar pelindung bawah, sisipan kerf dan bagian berbahan plastik lainnya.
- ▶ **Jika mungkin, gunakan penjepit untuk menyokong benda kerja. Jika benda kerja dipegang dengan tangan, Anda harus selalu menjaga jarak tangan Anda setidaknya 100 mm dari masing-masing bilah gergaji. Jangan menggunakan gergaji ini untuk memotong benda yang terlalu kecil meski dijepit dengan aman atau dipegang dengan tangan.** Jika tangan berada terlalu dekat dengan bilah gergaji, akan terdapat risiko cedera yang lebih tinggi karena kontak dengan bilah.
- ▶ **Benda kerja harus dalam keadaan tidak bergerak dan dijepit atau dipegang dengan ditekan ke pelindung dan ke meja. Jangan mengumpalkan benda kerja secara bebas ke bilah atau memotong dengan tangan kosong dengan cara apa pun.** Benda kerja yang bebas akan bergerak dapat terlempar dengan kecepatan tinggi, dan menyebabkan cedera.
- ▶ **Tekan gergaji dengan mendorongnya ke benda kerja. Jangan memotong dengan menarik gergaji pada benda kerja. Untuk memotong, angkat kepala gergaji dan tarik keluar ke atas benda kerja tanpa memotongnya, lalu hidupkan mesin, tekan kepala gergaji ke bawah dan kemudian dorong sambil menekan gergaji ke benda kerja.** Memotong dengan pull stroke (menarik gergaji sambil ditekan ke benda kerja) dapat menyebabkan bilah gergaji naik ke atas benda kerja dan rakitan bilah terlempar dengan keras ke arah operator.
- ▶ **Jangan pernah menyilangkan tangan pada garis yang hendak dipotong baik di depan maupun di belakang bilah gergaji.** Memegang benda kerja dengan "tangan menyilang" yaitu memegang benda kerja di sebelah kanan bilah gergaji dengan tangan kiri, atau sebaliknya, sangatlah berbahaya.
- ▶ **Jangan mencoba meraih ke belakang pelindung kurang dari 100 mm dari masing-masing bilah gergaji dengan tangan, guna melepaskan potongan kayu, atau karena alasan lainnya saat bilah sedang berputar.** Jarak bilah gergaji yang berputar ke tangan dapat menjadi tidak mudah terlihat dan dapat menyebabkan cedera serius.
- ▶ **Teliti benda kerja sebelum memotong. Jika benda kerja bengkok atau melengkung, jepitlah dengan bagian luar yang melengkung menghadap ke**

- pelindung. Selalu pastikan bahwa tidak terdapat celah antara benda kerja, pelindung dan meja sepanjang garis pemotongan.** Benda kerja yang bengkok atau melengkung dapat berputar atau bergeser dan dapat menyebabkan lilitan pada bilah gergaji yang berputar saat pemotongan. Tidak boleh terdapat paku atau benda asing di dalam benda kerja.
- ▶ **Jangan gunakan gergaji sampai meja bebas dari semua peralatan, potongan kayu, dll. selain benda kerja.** Puing-puing kecil atau potongan-potongan kayu yang terlepas atau objek lainnya yang mengenai bilah yang berputar dapat terlempar dengan kecepatan tinggi.
 - ▶ **Potonglah hanya satu benda kerja dalam satu waktu.** Benda kerja yang ditumpuk tidak dapat dijepit atau ditahan dengan benar dan dapat melilit pada bilah atau bergeser selama pemotongan.
 - ▶ **Pastikan gergaji miter dipasang atau ditempatkan pada permukaan kerja yang kuat dan rata sebelum digunakan.** Permukaan kerja yang kuat dan rata akan membuat gergaji miter tidak mudah goyah.
 - ▶ **Buatlah rencana kerja. Setiap kali Anda mengubah setelan kemiringan atau sudut 45 derajat (mitre angle), pastikan pelindung yang dapat disetel telah disesuaikan dengan benar untuk menyokong benda kerja dan tidak akan mengganggu bilah atau sistem pelindung.** Gerakkan bilah gergaji untuk menyimulasikan satu potongan penuh tanpa menekan tombol "ON" dan tanpa adanya benda kerja di meja untuk memastikan tidak akan terdapat gangguan atau bahaya terpotongnya pelindung.
 - ▶ **Sediakan sokongan yang memadai seperti meja tambahan, kuda-kuda penyangga, dll untuk benda kerja yang berukuran lebih lebar atau lebih panjang dari permukaan meja.** Benda kerja yang berukuran lebih lebar atau lebih panjang dari meja gergaji miter dapat terbalik jika tidak disokong dengan aman. Jika benda yang terpotong atau benda kerja terbalik, benda dapat mencabut pelindung bawah atau terlempar oleh bilah yang berputar.
 - ▶ **Jangan meminta orang lain untuk menjadi penyokong sebagai pengganti meja tambahan.** Penyokong untuk benda kerja yang goyah dapat menyebabkan bilah melilit atau benda kerja bergeser selama operasi pemotongan dan menarik Anda dan asisten Anda menuju ke bilah yang berputar.
 - ▶ **Bagian yang dipotong tidak boleh mendesak atau ditekan, dengan alat apa pun, ke bilah gergaji yang berputar.** Jika terperangkap, yaitu karena menggunakan pembatas (length stop), bagian yang dipotong dapat terjepit dan menekan bilah lalu terlempar dengan keras.
 - ▶ **Selalu gunakan penjepit atau dudukan yang dirancang untuk menyokong dengan baik benda berbentuk bundar seperti tangkai silinder atau pipa.** Tangkai silinder memiliki kecenderungan tergulir saat dipotong, yang menyebabkan bilah menusuk dan menarik benda kerja maupun tangan Anda menuju ke bilah.
 - ▶ **Biarkan bilah mencapai kecepatan penuh sebelum menyentuh benda kerja.** Hal ini akan mengurangi risiko terlemparnya benda kerja.
 - ▶ **Jika benda kerja atau bilah mengalami kemacetan, matikan gergaji miter. Tunggulah hingga semua bagian yang bergerak berhenti dan cabut steker dari sumber daya dan/atau lepas baterai. Lalu bebaskan benda yang macet.** Meneruskan memotong dengan benda kerja yang terjepit dapat menyebabkan gergaji miter kehilangan kendali atau rusak.
 - ▶ **Setelah selesai memotong, lepaskan switch, turunkan kepala gergaji, dan tunggu hingga bilah gergaji berhenti sebelum mengangkat benda yang dipotong.** Meraih dengan tangan di dekat bilah yang berjalan sangatlah berbahaya.
 - ▶ **Genggam pegangan dengan kuat saat memotong sebagian atau saat melepas switch sebelum kepala gergaji benar-benar di posisi bawah.** Tindakan pengereman gergaji dapat menyebabkan kepala gergaji tiba-tiba tertarik ke bawah, yang menyebabkan risiko cedera.
 - ▶ **Jaga tempat pengerjaan tetap bersih.** Campuran bahan yang berserakan cukup berbahaya. Debu logam yang kecil dapat terbakar atau menimbulkan ledakan.
 - ▶ **Jangan menggunakan mata gergaji yang tumpul, retak, bengkok, atau rusak. Mata gergaji dengan gigi-gigi yang tumpul atau bengkok mengakibatkan celah pemotongan terlalu sempit sehingga terjadi gesekan yang terlalu tinggi, mata gergaji terjepit, dan terjadi sentakan.**
 - ▶ **Jangan menggunakan mata gergaji yang terbuat dari baja kecepatan tinggi (baja HSS).** Mata gergaji dari bahan ini mudah patah.
 - ▶ **Selalu gunakan bilah gergaji dengan ukuran dan bentuk lubang poros yang sesuai (belah ketupat versus bulat).** Bilah gergaji yang tidak sesuai dengan perangkat keras yang terpasang pada gergaji akan bergerak tidak simetris dan mengakibatkan kehilangan kendali.
 - ▶ **Jangan mengganti laser pada perkakas listrik ini dengan laser tipe yang berbeda.** Laser yang tidak cocok pada perkakas listrik ini dapat berbahaya bagi orang lain.
 - ▶ **Jangan pernah menyingkirkan sisa-sisa pemotongan, serbuk kayu, dan semacamnya dari bidang pemotongan jika perkakas listrik dalam keadaan hidup.** Gerakkan kepala perkakas selalu ke posisi normal dahulu dan kemudian matikan perkakas listrik.
 - ▶ **Setelah digunakan, jangan memegang mata gergaji yang masih panas, tunggu hingga menjadi dingin.** Selama penggunaannya, mata gergaji menjadi sangat panas.
 - ▶ **Jangan pernah menutupi atau melepas label tentang keselamatan kerja yang ada pada perkakas listrik.**
 - ▶ **Perhatian – jika perangkat pengoperasian atau perangkat pengaturan atau prosedur lain selain yang dituliskan di sini digunakan, hal ini dapat**

menyebabkan terjadinya paparan radiasi yang berbahaya.

- ▶ **Jangan mengganti laser pada perkakas listrik ini dengan laser tipe yang berbeda.** Laser yang tidak cocok pada perkakas listrik ini dapat berbahaya bagi orang lain.
- ▶ **Jangan mengubah peralatan laser.** Anda dapat menggunakan opsi pengaturan yang dijelaskan pada petunjuk penggunaan mesin dengan aman.



Jangan melihat sinar laser ataupun mengarahkannya kepada orang lain atau hewan baik secara langsung maupun dari pantulan. Sinar laser dapat membutakan seseorang, menyebabkan kecelakaan atau merusak mata.

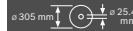
Simbol-simbol

Simbol-simbol berikut dapat membantu Anda dalam menggunakan perkakas listrik. Pelajari dan ingat simbol-simbol berikut beserta maknanya. Pengertian yang betul dari simbol-simbol ini bisa membantu Anda untuk menggunakan perkakas listrik dengan lebih baik dan aman.

Simbol dan artinya

	Laser kelas 1
	Jangan mendekatkan tangan Anda pada area pemotongan saat perkakas listrik beroperasi. Sentuhan dengan mata gergaji dapat mengakibatkan cedera.
	Kenakan masker pelindung debu.
	Kenakan kaca mata pelindung.
	Pakailah pelindung telinga. Suara bising dapat menyebabkan daya pendengaran berkurang.
	Area berbahaya! Jauhkan tangan, jari atau lengan dari area ini.

Simbol dan artinya



Jangan mendekatkan jari-jari Anda pada komponen yang bergerak pada lengan geser. Jari-jari dapat terjepit sehingga mengalami cedera parah.

Perhatikanlah ukuran dari mata gergaji. Diameter lubang harus sesuai dengan poros perkakas dan tidak goyah. Jika penggunaan reduktor diperlukan, pastikan ukuran reduktor sesuai dengan tebal bilah besi, diameter lubang pada mata gergaji serta diameter poros perkakas. Sebisa mungkin, gunakan reduktor yang disediakan bersamaan dengan mata gergaji.

Diameter mata gergaji harus sesuai dengan informasi pada simbol.



Untuk mengangkut, peganglah perkakas listrik hanya pada bagian-bagian yang ditandai ini (lekukan tempat memegang) atau pada pegangan untuk mengangkut.



Jangan pernah mengangkat perkakas listrik pada pegangan pada lengan geser.



Menyalakan laser



Gagang pengencang terbuka:
Sudut mitre vertikal dapat diatur.

Gagang pengencang tertutup:

Sudut mitre vertikal dari lengan perkakas yang diatur akan dipertahankan.



Menggambarkan setiap langkah untuk mengatur sudut mitre vertikal.

1. Kendurkan gagang pengencang
2. Gerakkan sedikit lengan geser ke kiri
3. Atur rentang sudut mitre vertikal pada kenop putar



Mengatur rentang sudut mitre vertikal pada kenop putar:



Kemiringan mata gergaji ke kiri (45° ... 0°)



Kemiringan mata gergaji ke kanan (0° ... 45°)

Simbol dan artinya

Total area gerak lengan geser (-
47° ... +47°)

Spesifikasi produk dan performa

Bacalah semua petunjuk keselamatan dan petunjuk penggunaan. Kesalahan dalam menjalankan petunjuk keselamatan dan petunjuk penggunaan dapat mengakibatkan kontak listrik, kebakaran, dan/atau luka-luka

yang berat.

Perhatikan ilustrasi yang terdapat pada sisi sampul panduan pengoperasian.

Tujuan penggunaan

Perkakas listrik ini digunakan sebagai perkakas tetap, cocok untuk memotong dalam arah memanjang dan melintang dengan pemotongan tegak lurus pada kayu. Dengan begitu dapat diatur sudut potong horizontal sebesar -52° hingga +60° begitu pula sudut potong vertikal sebesar 47° (sisi kiri) hingga 47° (sisi kanan).

Kapasitas perkakas listrik sesuai untuk memotong kayu keras dan kayu lunak serta papan partikel dan fiberboard.

Jika menggunakan mata gergaji yang sesuai, perkakas listrik juga dapat digunakan untuk memotong profil aluminium dan bahan sintetik.

Ilustrasi komponen

Nomor-nomor dari bagian-bagian perkakas pada gambar sesuai dengan gambar perkakas listrik pada halaman bergambar.

- (1) Gagang
- (2) Kunci pengaman untuk tombol on/off
- (3) Kap pelindung
- (4) Kap pelindung yang dapat bergerak
- (5) Rel pembatas yang dapat disetel kedudukannya
- (6) Rel pembatas
- (7) Ekstensi meja potong
- (8) Lubang untuk pemasangan
- (9) Pelat sisipan
- (10) Jepitan pengunci
- (11) Kenop pengunci untuk menyetel sudut potong lainnya (horizontal)
- (12) Tuas untuk menyetel sudut potong (horizontal)
- (13) Gagang pengencang untuk menyetel sudut potong lainnya (vertikal)
- (14) Alur untuk sudut potong standar (horizontal)
- (15) Lekukan tempat memegang
- (16) Kunci L (6 mm/4 mm)
- (17) Kunci L (2 mm)
- (18) Klem
- (19) Rol peluncur
- (20) Indikator sudut untuk rentang sudut potong kanan (0° hingga 47°) (vertikal)
- (21) Alat pembentuk
- (22) Ejektor serbuk
- (23) Adaptor pengisap
- (24) Tuas penjepit mekanisme meluncur
- (25) Label peringatan laser
- (26) Kap pelindung laser
- (27) Lengan geser
- (28) Baut penyetel pembatas kedalaman
- (29) Pembatas kedalaman
- (30) Kunci transpor
- (31) Skala untuk sudut potong (vertikal)
- (32) Indikator sudut untuk rentang sudut potong kiri (47° hingga 0°) (vertikal)
- (33) Kenop untuk sudut potong 22,5° (vertikal)
- (34) Sekrup pengunci mistar pembatas^{A)}
- (35) Mistar pembatas^{A)}
- (36) Skala untuk sudut potong (horizontal)
- (37) Meja potong
- (38) Kenop putar untuk mengatur rentang sudut potong (vertikal)
- (39) Mata gergaji
- (40) Outlet sinar laser
- (41) Sekrup pengunci batang penyambung kap pelindung yang dapat bergerak
- (42) Batang penyambung kap pelindung yang dapat bergerak
- (43) Sekrup pengencang depan (pelat penutup/kap pelindung yang dapat bergerak)
- (44) Sekrup pengencang belakang (pelat penutup/kap pelindung yang dapat bergerak)
- (45) Pelat penutup
- (46) Penguncian spindel
- (47) Sekrup segi enam untuk mengencangkan mata gergaji
- (48) Flensa penjepit
- (49) Flensa penjepit dalam
- (50) Tuas penjepit untuk ekstensi meja potong
- (51) Sekrup pengunci rel pembatas yang dapat disetel
- (52) Peredam
- (53) Sekrup penyetel untuk peredaman
- (54) Lubang untuk klem
- (55) Baut kupu-kupu
- (56) Batang berulir

- (57) Indikator sudut untuk sudut potong (horizontal)
 (58) Tombol on/off
 (59) Tombol on/off untuk laser (penanda garis pemotongan)
 (60) Baut untuk pelat sisipan
 (61) Sekrup penjepit mistar pembatas^{A)}
 (62) Sekrup untuk kap pelindung laser
 (63) Sekrup penyetel untuk posisi laser (kerataan)
 (64) Sekrup pengencang untuk pelat pemasangan laser
 (65) Sekrup pengencang untuk housing laser
 (66) / Sekrup penyetel untuk penyetelan dasar 0° (sudut potong vertikal)
 (67) /
 (68)
- (69) Sekrup penyetel untuk penyetelan dasar 45° (sudut potong kiri vertikal)
 (70) Sekrup penyetel untuk penyetelan dasar 45° (sudut potong kanan vertikal)
 (71) Sekrup penyetel skala untuk sudut potong (horizontal)
 (72) Sekrup untuk indikator sudut (horizontal)
 (73) Sekrup penyetel untuk daya jepit dari gagang pengencang untuk menyetel sudut potong lainnya (vertikal)
 (74) Kain perekat
- A) **Aksesori yang ada pada gambar atau yang dijelaskan tidak termasuk dalam lingkup pengiriman standar. Semua aksesori yang ada dapat Anda lihat dalam program aksesori kami.**

Data teknis

Mesin gergaji panel		GCM 12 GDL	GCM 12 GDL
Nomor seri		3 601 M23 641 3 601 M23 6L1	3 601 M23 6B1 3 601 M23 681 3 601 M23 6K1
Input daya nominal	W	2000	1800
Tegangan nominal	V	230-240	220-230
Frekuensi	Hz	50	50/60
Kecepatan idle	min ⁻¹	4000	4000
Pembatasan arus listrik pada awalan start		●	●
Jenis laser	nm	650	650
	mW	< 1	< 1
Kelas laser		1	1
Berat sesuai dengan EPTA-Procedure 01:2014	kg	32,1	32,1
Tingkat perlindungan		□/II	□/II
Ukuran mata gergaji yang sesuai			
Diameter mata gergaji	mm	305	305
Ketebalan lembar baja	mm	1,7-2,6	1,7-2,6
Lebar pemotongan maks.	mm	3,2	3,2
Diameter lubang	mm	25,4	25,4

Ukuran benda kerja yang diperbolehkan (lihat „Ukuran benda kerja yang diperbolehkan“, Halaman 94)

Cara memasang

- ▶ **Hindari perkakas listrik hidup secara tidak sengaja. Selama melakukan pemasangan dan pekerjaan lainnya pada perkakas listrik, steker tidak boleh dialiri listrik.**

Lingkup pengiriman



Perhatikan ilustrasi lingkup pengiriman pada awal panduan pengoperasian.

Sebelum menggunakan perkakas listrik untuk pertama kalinya, periksalah apakah semua komponen di bawah ini disertakan:

- Mesin gergaji panel dengan mata gergaji yang terpasang **(39)**

- Kenop pengunci (11)
- Kunci L (16)
- Kunci L (17)
- Klem (18)

Catatan: Periksa perkakas listrik dari kemungkinan kerusakan.

Sebelum melanjutkan menggunakan perkakas listrik, periksa dengan saksama semua komponen pelindung atau komponen yang sedikit rusak apakah komponen tersebut berfungsi dengan baik. Periksa apakah komponen yang bergerak berfungsi dengan baik dan tidak terjepit atau apakah ada komponen yang rusak. Semua bagian-bagian harus terpasang dengan benar dan memenuhi semua persyaratan guna menjamin penggunaan perkakas listrik yang sempurna.

Komponen perlindungan dan bagian-bagian yang rusak harus diperbaiki atau diganti di bengkel yang disetujui.

Perkakas yang diperlukan selain lingkup pengiriman:

- Obeng kembang
- Kunci pas (ukuran: 8 mm)
- Kunci ring, kunci pas atau kunci sok (ukuran: 10 mm dan 17 mm)

Memasang komponen-komponen

- Keluarkan semua komponen yang disediakan di kemasan dengan hati-hati.
- Singkirkan semua bahan kemasan dari perkakas listrik dan dari aksesoris yang disediakan.

Memasang kenop pengunci (lihat gambar a)

- Pasang kenop pengunci (11) ke lubang yang sesuai di atas tuas (12).
- ▶ **Sebelum mulai menggergaji, selalu kencangkan kenop pengunci (11).** Jika tidak, mata gergaji bisa tersangkut pada benda kerja.

Pemasangan stasioner atau fleksibel

- ▶ **Untuk menjamin keamanan kerja, perkakas listrik harus dipasang terlebih dulu di tempat kerja yang datar dan stabil (misalnya meja kerja) sebelum digunakan.**

Pemasangan di area kerja (lihat gambar b1)

- Kencangkan perkakas listrik di atas area kerja dengan sambungan sekrup yang sesuai. Untuk itu, gunakan lubang (8).

atau

- Kencangkan kaki perkakas listrik pada area kerja dengan klem yang tersedia secara komersial.

Pemasangan di meja kerja Bosch

(lihat gambar b2)

(GTA 2500 W, GTA 3700, GTA 3800)

Meja kerja GTA Bosch menahan kedudukan perkakas listrik di segala permukaan dengan kaki yang dapat disetel ketinggiannya. Dudukan benda kerja pada area kerja

digunakan untuk menunjang benda kerja yang berukuran panjang.

- ▶ **Baca semua petunjuk peringatan keamanan yang tercantum untuk meja kerja.** Jika petunjuk untuk keamanan kerja dan penggunaan tidak dipatuhi, dapat terjadi kontak listrik, kebakaran dan/atau cedera parah.
- ▶ **Sebelum memasang perkakas listrik pada meja kerja, rakit dulu meja kerja dengan benar.** Perakitan yang tepat sangat penting dilakukan agar meja kerja tidak roboh.
- Pasang perkakas listrik di area kerja pada posisi pengangkutan.

Pengisapan debu/serbuk

Debu dari bahan-bahan seperti cat yang mengandung timbal, beberapa jenis kayu, bahan mineral dan logam dapat berbahaya bagi kesehatan. Menyentuh atau menghirup debu tersebut dapat mengakibatkan reaksi alergi dan/atau penyakit saluran pernapasan bagi pengguna atau orang yang berada di dekatnya.

Beberapa debu tertentu seperti misalnya debu kayu pohon ek atau pohon fagus silvatica dianggap dapat mengakibatkan penyakit kanker, terutama dalam campuran dengan bahan-bahan tambahan untuk pengolahan kayu (kromat, obat pengawet kayu). Bahan-bahan yang mengandung asbestos hanya boleh dikerjakan oleh orang-orang yang ahli.

- Gunakanlah hanya pengisap debu yang cocok untuk mengisap bahan yang dikerjakan.
- Pastikan terdapat ventilasi udara yang baik di tempat kerja.
- Dianjurkan untuk memakai masker anti debu dengan filter kelas P2.

Taatilah peraturan-peraturan untuk bahan-bahan yang dikerjakan yang berlaku di negara Anda.

- ▶ **Hindari debu yang banyak terkumpul di tempat kerja.** Debu dapat tersulut dengan mudah.

Pengisap debu/serbuk dapat tersumbat oleh debu, serbuk atau serpihan dari benda yang dikerjakan.

- Matikan perkakas listrik dan lepas steker dari stopkontak.
- Tunggu hingga mata gergaji benar-benar berhenti.
- Periksa penyebab tersumbatnya perkakas dan segera perbaiki.

Pengisapan eksternal

Untuk pengisapan, slang pengisap debu (Ø 35 mm) juga dapat disambungkan ke adaptor pengisap (23).

- Sambungkan slang pengisap debu dengan adaptor pengisap (23).

Mesin pengisap debu harus sesuai dengan bahan yang dikerjakan.

Gunakan mesin pengisap khusus saat mengisap debu yang sangat berbahaya bagi kesehatan, pemicu kanker atau debu kering.

Membersihkan adapter pengisap

Untuk menjamin pengisapan yang optimal, adapter pengisap debu (23) harus dibersihkan secara berkala.

- Lepas adapter pengisap debu (23) dengan diputar dari pembuangan serbuk (22).
- Singkirkan serpihan benda kerja dan serbuk.
- Tekan kembali adapter pengisap debu pada pembuangan serbuk dengan diputar hingga terkunci pada ring penahan pembuangan serbuk.

Mengganti mata gergaji (lihat gambar c1-c4)

- **Sebelum mulai dengan pekerjaan pada perkakas listrik, tariklah steker dari stopkontak.**
- **Kenakan sarung tangan pelindung saat memasang mata gergaji.** Terdapat risiko cedera jika menyentuh mata gergaji.

Hanya gunakan mata gergaji dengan kecepatan putaran maksimal yang diperbolehkan yang lebih tinggi daripada kecepatan putaran tanpa beban dari perkakas listrik.

Hanya gunakan mata gergaji yang sesuai dengan data-data yang tercantum di dalam petunjuk pengoperasian yang diberikan dan diuji menurut peraturan EN 847-1 serta diberi tanda yang sesuai.

Hanya gunakan mata gergaji yang dianjurkan oleh produsen perkakas listrik ini dan yang sesuai untuk mengerjakan bahan yang hendak dikerjakan. Hal ini bertujuan untuk menghindari pemanasan berlebih pada gigi gergaji pada saat menggergaji.

Melepaskan mata gergaji

- Atur perkakas listrik pada posisi pengoperasian.
- Lepaskan sekrup pengunci (41) secara manual hingga batang penyambung (42) dapat menggantung ke bawah dengan bebas.
- Kendurkan sekrup pengencang (43) (sekitar 2 putaran) dengan kunci L (mm) (16).
Jangan memutar sekrup hingga benar-benar terlepas.
- Kendurkan sekrup pengencang (44) (sekitar 6 putaran) dengan kunci L (mm) (16).
Jangan memutar sekrup hingga benar-benar terlepas.
- Lepaskan pelat penutup (45) dari baut pengencang (44) ke depan dan belakang.
- Gerakkan kap pelindung yang dapat bergerak (4) ke belakang dan tahan kap pelindung pada posisi ini.
- Gantung batang penyambung (42) dengan lubang di atas baut pengencang (44).
Dengan demikian, kap pelindung yang dapat bergerak ditahan pada posisi terbuka.
- Putar sekrup segi enam (47) dengan kunci L (mm) (16) dan tekan penguncian spindel (46) secara bersamaan hingga terkunci.
- Tekan dan tahan pengunci poros (46) dan putar keluar sekrup segi enam (47) searah jarum jam (ulir kiri!).
- Lepas flensa penjepit (48).
- Lepas mata gergaji (39).

Memasang mata gergaji

- **Pada waktu memasang mata gergaji, perhatikan agar arah pemotongan gigi (arah panah pada mata gergaji) sesuai dengan arah panah pada kap pelindung!**

Jika perlu, bersihkan dahulu semua komponen yang terpasang sebelum melakukan pemasangan.

- Pasang mata gergaji baru pada flensa penjepit dalam (49).
- Pasang flensa penjepit (48) dan sekrup segi enam (47). Tekan pengunci poros (46) hingga terkunci dan kencangkan sekrup segi enam berlawanan arah jarum jam.
- Kendurkan batang penyambung (42) dari baut pengencang (44) dan arahkan kembali kap pelindung yang bisa bergerak (4) ke bawah.
- Geser kembali pelat penutup (45) ke bawah sekrup pengencang (44).
- Kencangkan kembali sekrup pengencang (44) dan (43).
- Geser batang penyambung (42) ke posisi semula dan kencangkan kembali sekrup pengunci (41) dengan tangan.

Penggunaan

- **Sebelum mulai dengan pekerjaan pada perkakas listrik, tariklah steker dari stopkontak.**

Kunci transpor (lihat gambar A)

Kunci transpor (30) memungkinkan perkakas listrik dapat ditangani dengan lebih mudah saat dipindahkan ke lokasi yang berbeda.

Melepaskan penguncian perkakas listrik (susunan siap kerja)

- Tekan lengan geser (27) pada gagang (1) sedikit ke bawah untuk meringankan kunci transpor (30).
- Tarik sepenuhnya kunci transpor (30) ke luar.
- Gerakkan lengan geser (27) secara perlahan ke atas.

Mengunci perkakas listrik (susunan transpor)

- Dorong lengan geser (27) sepenuhnya ke belakang dan tahan pada posisi tersebut.
- Pindahkan lengan geser sejauh mungkin ke bawah hingga kunci transpor (30) dapat didorong sepenuhnya ke dalam.

Catatan lebih lanjut: (lihat „Mengangkut (lihat gambar Z)“, Halaman 97)

Mengunci lengan geser

Mekanisme luncur lengan geser (27) dapat dikunci dengan tuas penjepit (24). Tersedia dua posisi lengan geser:

- Lengan geser sepenuhnya digeser ke belakang (untuk pemotongan silang)
- Lengan geser sepenuhnya digeser ke depan (untuk posisi transpor yang ringkas)

Membuka penguncian lengan geser (lihat gambar B1)

Setelah kunci lengan geser (27) terbuka, mekanisme luncur dari lengan geser berfungsi sepenuhnya.

- Tekan tuas pengunci (24) ke bawah hingga maksimal.

- Pasak pengunci dari tuas pengunci melepaskan kedua sendi bawah dari lengan geser.

Mengunci lengan geser (lihat gambar B2)

Lengan geser digeser sepenuhnya ke belakang:

- Dorong lengan geser (27) ke belakang hingga maksimal.
- Kedua sendi atas dari lengan geser kini berada pada posisi tegak dan tertutup.
- Tarik tuas penjepit (24) ke atas hingga pasak pengunci berada di antara kedua sendi bawah dari lengan geser.
- Dengan demikian, lengan geser (27) yang digeser ke belakang sepenuhnya terkunci.

Lengan geser digeser sepenuhnya ke depan:

- Tarik lengan geser (27) ke depan hingga maksimal.
- Kini mekanisme luncur tertarik keluar sepenuhnya.
- Tarik tuas penjepit (24) ke atas hingga pasak pengunci berada di antara kedua sendi bawah dari lengan geser.

Saat menggergaji pada sudut potong horizontal dan/atau vertikal, rel pembatas yang dapat disetel (5) sisi kiri dan kanan harus ditarik keluar atau dilepas sepenuhnya tergantung pada arah pemotongan.

Sudut potong vertikal	Sudut potong horizontal	
0°–47° (kiri)	≤ 44° (kanan/kiri)	<ul style="list-style-type: none"> - Kendurkan sekrup pengunci (51). - Tarik rel pembatas yang dapat disetel sisi kiri (5) ke luar sepenuhnya.
0°–47° (kiri)	≥ 45° (kanan/kiri)	<ul style="list-style-type: none"> - Kendurkan sekrup pengunci (51). - Tarik rel pembatas yang dapat disetel sisi kiri (5) ke luar sepenuhnya. - Angkat rel pembatas yang dapat disetel. - Lepaskan sekrup pengunci (51).
0°–47° (kanan)	≤ 44° (kanan/kiri)	<ul style="list-style-type: none"> - Kendurkan sekrup pengunci (51). - Tarik rel pembatas yang dapat disetel sisi kanan (5) ke luar sepenuhnya. - Angkat rel pembatas yang dapat disetel.
0°–47° (kanan)	≥ 45° (kanan/kiri)	<ul style="list-style-type: none"> - Angkat rel pembatas yang dapat disetel.

Mengatur peredaman lengan geser (lihat gambar F)

Mekanisme luncur dari lengan geser (27) telah diatur sebelumnya oleh produsen dan saat pengiriman, mekanisme luncur dari perkakas listrik tidak diredamkan.

Peredaman mekanisme luncur dapat diatur secara individual pada peredam (52):

keras – gerakan kerja yang terkendali;

lunak – pemotongan yang cepat dengan gergaji.

- Kendurkan kedua sekrup penyetel (53) dengan kunci L (mm) (16) untuk peredaman yang **lebih lunak**
- atau
- putar kedua sekrup penyetel (53) lebih kencang untuk peredaman yang **lebih keras**.

Mengencangkan benda kerja (lihat gambar G)

Untuk menjamin keamanan kerja yang optimal, benda kerja harus selalu dikencangkan.

Jangan mengerjakan benda yang terlalu kecil untuk dikencangkan.

- Tekan benda kerja dengan kuat pada rel pembatas (6) dan (5).

- Dengan demikian, lengan geser (27) yang tertarik sepenuhnya ke depan terkunci.

Persiapan pemakaian

Memperpanjang meja potong (lihat gambar C)

Benda kerja berukuran panjang harus dialasi atau ditopang pada ujungnya.

Meja potong dapat diperpanjang ke kiri dan kanan dengan menggunakan ekstensi meja potong (7).

- Lipat tuas penjepit (50) ke dalam.
- Tarik alat untuk memperpanjang meja potong (7) ke luar hingga mencapai panjang yang diinginkan (maksimal 250 mm).
- Untuk mengencangkan ekstensi meja potong, tekan kembali tuas penjepit (50) ke luar.

Menggeser rel pembatas (lihat gambar D – E)

- Pasang klem yang disediakan (18) pada salah satu lubang yang tersedia (54).
- Kendurkan baut kupu-kupu dan sesuaikan klem dengan benda kerja. Kencangkan kembali baut kupu-kupu.
- Kencangkan batang berulir (56) dengan kuat dan kencangkan benda kerja.

Melepaskan benda kerja

- Untuk mengendurkan klem, putar batang berulir (56) berlawanan arah jarum jam.

Mengatur sudut potong horizontal dan vertikal

► Sebelum mulai dengan pekerjaan pada perkakas listrik, tariklah steker dari stopkontak.

Untuk menjamin pemotongan yang tepat, penyetelan dasar perkakas listrik harus diperiksa setelah perkakas listrik digunakan secara intensif dan jika perlu lakukan pengaturan. Untuk melakukannya, diperlukan pengalaman dan perkakas khusus yang sesuai.

Pusat layanan pelanggan Bosch akan melakukan pekerjaan ini dengan cepat dan baik.

- **Sebelum mulai menggergaji, (11) selalu kencangkan knop pengunci.** Jika tidak, mata gergaji dapat tersangkut pada benda kerja.

Menyetel sudut potong horizontal

Mengatur sudut potong horizontal standar (lihat gambar H)

Untuk mengatur sudut potong horizontal yang sering digunakan secara cepat dan tepat, terdapat alur pada meja potong **(14)**:

kiri	kanan
0°	
45°; 31,6°; 22,5°; 15°	15°; 22,5°; 31,6°; 45°; 60°

- Kendurkan kenop pengunci **(11)** jika gagang dikencangkan.
 - Tarik tuas **(12)** dan putar meja potong **(37)** ke kiri atau kanan hingga mencapai alur yang diinginkan.
 - Lepaskan kembali tuas. Tuas harus terasa terkunci ke dalam alur.
 - Kencangkan kembali kenop pengunci **(11)**.
- #### Mengatur sudut potong horizontal lainnya (lihat gambar I)
- Sudut potong horizontal dapat diatur pada bidang antara 52° (sebelah kiri) hingga 60° (sebelah kanan).
- Kendurkan kenop pengunci **(11)** jika gagang dikencangkan.
 - Tarik tuas **(12)** dan tekan jepitan pengunci **(10)** pada waktu yang bersamaan hingga terkunci pada alur yang tersedia. Dengan demikian, meja potong dapat bergerak dengan bebas.
 - Putar meja potong **(37)** pada kenop pengunci ke kiri atau kanan hingga indikator sudut **(57)** menunjukkan sudut potong yang diinginkan.
 - Kencangkan kembali kenop pengunci **(11)**.
 - Untuk mengendurkan kembali tuas **(12)** (untuk mengatur sudut potong horizontal standar), tarik tuas ke atas. Jepitan pengunci **(10)** kembali ke posisi semula dan tuas **(12)** dapat terkunci kembali ke dalam alur **(14)**.

Menyetel sudut potong vertikal

Sudut potong vertikal dapat diatur pada rentang antara 47° (sebelah kiri) hingga 47° (sebelah kanan).

Untuk mengatur sudut potong vertikal yang sering digunakan secara cepat dan tepat, tersedia pembatas untuk sudut 0°, 22,5° dan 45° dan 47°.

Mengatur rentang sudut potong vertikal sebelah kiri (45° hingga 0°)

L

- Tarik rel pembatas yang dapat disetel sisi kiri **(5)** ke luar sepenuhnya.
- Kendurkan gagang pengencang **(13)**.
- Putar lengan geser **(27)** pada gagang **(1)** ke kiri hingga indikator sudut **(32)** menunjukkan sudut potong vertikal yang diinginkan.
- Tahan lengan geser **(27)** pada posisi tersebut dan kencangkan kembali gagang pengencang **(13)**.

Daya jepit dari gagang pengencang harus dapat menahan dengan baik posisi lengan geser pada tiap sudut potong vertikal.

Mengatur rentang sudut potong vertikal sisi kanan (0° hingga 45°) (lihat gambar J)

45° R

- Tarik rel pembatas yang dapat disetel sisi kanan **(5)** ke luar sepenuhnya.
- Kendurkan gagang pengencang **(13)**.
- Miringkan sedikit lengan geser **(27)** pada gagang **(1)** dari posisi 0° ke kiri dan putar kenop putar **(38)** hingga rentang sudut potong vertikal yang diinginkan ditampilkan.
- Gerakkan lengan geser **(27)** pada gagang **(1)** ke kanan hingga indikator sudut **(20)** menunjukkan sudut potong yang diinginkan.
- Tahan lengan geser **(27)** pada posisi tersebut dan kencangkan kembali gagang pengencang **(13)**. Daya jepit dari gagang pengencang harus dapat menahan dengan baik posisi lengan geser pada tiap sudut potong vertikal.

Mengatur sudut potong vertikal standar 0°

Agar sudut potong vertikal standar 0° dapat diatur kembali dengan mudah, kenop putar **(38)** terkunci pada rentang sudut potong vertikal sebelah kiri.

L

- Gerakkan lengan geser **(27)** dari sisi kanan ke posisi 0°.

Mengatur seluruh rentang sudut potong vertikal (-47° hingga +47°)

47°

- Tarik kedua rel pembatas yang dapat disetel **(5)** ke luar sepenuhnya.
- Kendurkan gagang pengencang **(13)**.
- Miringkan sedikit lengan geser **(27)** pada gagang **(1)** dari posisi 0° ke kiri dan putar kenop putar **(38)** hingga rentang sudut potong vertikal yang diinginkan ditampilkan.
- Gerakkan lengan geser **(27)** pada gagang **(1)** ke kiri atau kanan hingga indikator sudut **(32)** atau **(20)** menunjukkan sudut potong yang diinginkan.
- Tahan lengan geser **(27)** pada posisi tersebut dan kencangkan kembali gagang pengencang **(13)**. Daya jepit dari gagang pengencang harus dapat menahan dengan baik posisi lengan geser pada tiap sudut potong vertikal.

Mengatur sudut potong vertikal standar 22,5° (lihat gambar K)

Tarik kenop penyetal **(33)** ke luar sepenuhnya dan putar sebesar 90°. Kemudian gerakkan lengan geser **(27)** pada gagang **(1)** hingga lengan geser terdengar mengunci.

Pengoperasian pertama kali

- **Perhatikan tegangan listrik! Tegangan jaringan listrik harus sesuai dengan tegangan listrik yang tercantum pada label tipe perkakas listrik. Perkakas listrik dengan daya sebesar 230 V seperti yang diindikasikan pada label dapat juga dioperasikan pada daya 220 V.**

Menghidupkan (lihat gambar L)

- Untuk **menghidupkan** perkakas listrik, **pertama** geser kunci pengaman **(2)** ke tengah, **kemudian** tekan dan tahan tombol on/off **(58)**.

Catatan: Demi alasan keamanan, tombol on/off **(58)** tidak dapat dikunci, melainkan switch harus selalu ditekan selama pengoperasian.

Mematikan perkakas listrik

- Untuk **mematikan** perkakas listrik, lepaskan tombol untuk menghidupkan dan matikan **(58)**.

Pembatasan arus listrik pada awalan start

Pembatasan arus listrik pada awalan start elektronik membatasi daya saat perkakas listrik dihidupkan dan memungkinkan pengoperasian pada sekring 16 A.

Catatan: Jika begitu dihidupkan, perkakas listrik berjalan dengan kecepatan putaran penuh, pembatasan arus listrik pada awalan start dan pelindung terhadap start ulang tidak berfungsi. Perkakas listrik harus segera dikirimkan ke layanan pelanggan.

Petunjuk pengoperasian

Petunjuk umum untuk menggergaji

- **Sebelum menggergaji, selalu kencangkan kenop pengunci (11) dan gagang pengencang (13).** Jika tidak, mata gergaji dapat tersangkut pada benda kerja.
- **Sebelum mulai menggunakan perkakas listrik, periksalah mata gergaji agar tidak menyentuh rel pembatas, klem atau bagian yang lain dari perkakas. Jika perlu, lepaskan semua mistar pembantu yang dipasang atau sesuaikan pembatasnya.**

Lindungilah mata gergaji terhadap benturan dan tumbukan. Jangan menekan mata gergaji dari samping.

Jangan mengerjakan benda yang bengkok. Benda kerja harus selalu mempunyai tepi yang lurus untuk dirapatkan pada rel pembatas.

Benda kerja yang panjang dan berat harus dialasi atau ditopang pada ujungnya.

Ukuran benda kerja yang diperbolehkan

Ukuran benda kerja **maksimal**:

Sudut potong horizontal	Sudut potong vertikal	Tinggi x Lebar [mm]	
		Benda kerja pada rel pembatas	Benda kerja pada pembatas jarak (aksesori)
0°	0°	104 x 341	110 x 240
45°	0°	104 x 240	110 x 110
0°	45° (kiri)	51 x 341	51 x 295
0°	45° (kanan)	38 x 341	38 x 295

Pastikan agar kap pelindung yang dapat bergerak dapat berfungsi dengan baik dan bergerak secara bebas. Kap pelindung yang dapat bergerak harus dalam keadaan terbuka saat menggerakkan lengan perkakas ke bawah. Kap pelindung yang dapat bergerak harus tertutup kembali di atas mata gergaji dan terkunci pada posisi teratas lengan perkakas saat menggerakkan lengan perkakas ke atas.

Hanya potong bahan yang disetujui sesuai ketentuan penggunaan.

Menandai garis pemotongan (lihat gambar M)

Dua sinar laser menunjukkan lebar pemotongan dari mata gergaji. Dengan demikian Anda dapat menempatkan benda kerja secara tepat, tanpa harus membuka kap pelindung yang bisa bergerak.

- Nyalakan sinar laser dengan switch **(59)**.
- Arahkan tanda yang dibuat pada benda kerja di antara kedua garis laser.

Catatan: Periksalah apakah lebar pemotongan masih ditampilkan dengan benar sebelum memotong. Penyetelan sinar laser dapat berubah, misalnya oleh getaran saat menggunakan perkakas secara intensif.

Posisi pengguna perkakas listrik (lihat gambar N)

- **Jangan berdiri langsung dalam satu garis dengan perkakas listrik dan mata gergaji, melainkan selalu di samping mata gergaji.** Dengan demikian, tubuh Anda terlindung jika terjadi sentakan.
- Jauhkan tangan, jari dan lengan dari mata gergaji yang berputar.
- Jangan menyilangkan tangan Anda di depan lengan geser **(27)**.

Mengganti pelat sisipan (lihat gambar O)

Pelat sisipan merah **(9)** dapat menjadi aus setelah perkakas listrik digunakan untuk waktu yang lama.

Ganti pelat sisipan yang rusak.

- Setel perkakas listrik pada posisi pengoperasian.
- Lepaskan sekrup **(60)** dengan kunci L (4 mm) **(16)** dan lepas pelat sisipan yang lama.
- Pasang pelat sisipan sisi kanan yang baru.
- Pasang pelat sisipan dengan sekrup **(60)** sejauh mungkin ke kanan sehingga mata gergaji tidak menyentuh pelat sisipan di sepanjang kemungkinan pergerakan.
- Ulangi langkah-langkah di atas pada pelat sisipan kiri yang baru.

Sudut potong horizontal	Sudut potong vertikal	Tinggi x Lebar [mm]	
		Benda kerja pada rel pembatas	Benda kerja pada pembatas jarak (aksesori)
45°	45° (kiri)	51 x 240	51 x 200
45°	45° (kanan)	38 x 240	38 x 200

Ukuran benda kerja **minimal** (= semua benda kerja yang dapat dijepit dengan klem **(18)** sisi kiri atau kanan mata gergaji yang disediakan): 160 x 335 mm (panjang x lebar)

Kedalaman pemotongan maksimal (0°/0°): 104 mm

Menggergaji

► **Sebelum menggergaji, selalu kencangkan kenop pengunci (11) dan gagang pengencang (13).** Jika tidak, mata gergaji dapat tersangkut pada benda kerja.

Menggergaji tanpa penarikan (menggergaji vertikal) (lihat gambar P)

- Dorong lengan geser **(27)** sepenuhnya ke belakang dan tahan pada posisi tersebut. Pastikan pembatas kedalaman **(29)** ditekan sepenuhnya ke dalam dan sekrup penyetel **(28)** sesuai dengan lubang saat menggerakkan lengan geser tanpa menyentuh pembatas kedalaman.
- Kencangkan benda kerja sesuai dengan ukurannya.
- Jika perlu, atur sudut potong yang diinginkan (horizontal dan/atau vertikal).
- Hidupkan perkakas listrik.
- Gerakkan lengan geser **(27)** dengan gagang **(1)** secara perlahan ke bawah.
- Gergaji benda kerja dengan dorongan yang merata.
- Matikan perkakas listrik dan tunggu hingga mata gergaji benar-benar berhenti.
- Gerakkan lengan geser **(27)** secara perlahan ke atas.

Menggergaji dengan penarikan (lihat gambar Q)

- **Pegang gagang dengan kuat sebelum menghidupkan perkakas listrik dan selama melakukan pekerjaan menggergaji. Selama menggergaji, kendalikan pergerakan perkakas listrik dengan lengan geser.** Jika pengguna tidak berkonsentrasi meski dalam waktu singkat, cedera dapat terjadi akibat lengan geser yang sangat mudah bergerak.
- Buka penguncian lengan geser **(27)**. Periksa apakah mekanisme luncur siap beroperasi secara penuh dengan cara menarik dan mendorong lengan geser **(27)**.
 - Kencangkan benda kerja sesuai dengan ukurannya.
 - Jika perlu, atur sudut potong yang diinginkan (horizontal dan/atau vertikal).
 - Tarik lengan geser **(27)** dengan gagang **(1)** sejauh mungkin dari rel pembatas **(6)** hingga mata gergaji berada di depan benda kerja.
 - Hidupkan perkakas listrik.
 - Gerakkan lengan geser **(27)** dengan gagang **(1)** secara perlahan ke bawah.

- Kemudian, tekan lengan geser **(27)** ke arah rel pembatas **(6)** dan gergaji benda kerja dengan dorongan yang merata.
- Matikan perkakas listrik dan tunggu hingga mata gergaji benar-benar berhenti.
- Gerakkan lengan geser **(27)** secara perlahan ke atas.

Menggergaji benda kerja sama panjang (lihat gambar R)

Untuk menggergaji benda kerja sama panjang dengan mudah, mistar pembatas **(35)** (aksesori) dapat digunakan. Mistar pembatas dapat dipasang pada kedua sisi ekstensi meja potong **(7)**.

- Kendurkan sekrup pengunci **(34)** lalu buka mistar pembatas **(35)** di atas sekrup penjepit **(61)**.
- Kencangkan kembali sekrup pengunci **(34)**.
- Atur ekstensi meja potong **(7)** ke panjang yang diinginkan.

Mengatur pembatas kedalaman (membuat alur) (lihat gambar S)

Jika hendak membuat alur atau menggunakan batas jarak, pembatas kedalaman harus disetel.

- Gerakkan pembatas kedalaman **(29)** ke luar.
- Gerakkan lengan geser **(27)** pada gagang **(1)** hingga mencapai posisi yang diinginkan.
- Putar baut penyetel **(28)** hingga ujung dari baut menyentuh pembatas kedalaman **(29)**.
- Gerakkan lengan geser **(27)** secara perlahan ke atas.



Benda kerja khusus

Saat menggergaji benda kerja dengan bentuk melengkung atau bulat, benda kerja tersebut harus dipegang dengan alat agar tidak tergeser. Pada jalur potong tidak boleh ada celah antara benda kerja, rel pembatas dan meja potong.

Jika perlu harus dibuat penahan khusus.

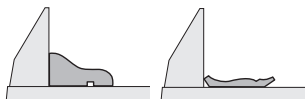
Mengerjakan lis profil

Lis profil dapat dikerjakan dengan dua cara yang berbeda:

Pengaturan posisi benda kerja	Lis lantai	Lis langit-langit
– Diletakkan berdiri pada rel pembatas,		

Pengaturan posisi benda kerja

- Diletakkan mendatar pada meja potong

**Lis langit-langit**

Selain itu, pemotongan dapat dilakukan dengan atau tanpa gerakan penarikan tergantung pada lis profil.

Selalu lakukan uji coba sudut potong yang telah diatur (horizontal dan/atau vertikal) terlebih dulu pada kayu sisa.

Memeriksa dan mengatur pengaturan awal

Untuk menjamin pemotongan yang tepat, penyetelan dasar perkakas listrik harus diperiksa setelah perkakas listrik digunakan secara intensif dan jika perlu lakukan pengaturan. Untuk melakukannya, diperlukan pengalaman dan perkakas khusus yang sesuai.

Pusat layanan pelanggan Bosch akan melakukan pekerjaan ini dengan cepat dan baik.

Menyesuaikan laser

Catatan: Untuk melakukan uji fungsi laser, perkakas listrik harus disambungkan pada suplai daya.

► **Jangan pernah menekan tombol untuk menghidupkan dan mematikan selama melakukan penyesuaian laser (misalnya saat menggerakkan lengan perkakas).**

- Terdapat risiko cedera jika perkakas listrik dihidupkan tanpa disengaja.
- Posisikan perkakas listrik pada posisi pengoperasian.
- Putar meja potong (37) hingga ke alur yang diinginkan (14) pada sudut 0°. Tuas (12) harus benar-benar terkunci ke dalam alur.

Memeriksa (lihat gambar T1)

- Gambar satu garis pemotongan lurus pada benda kerja.
- Gerakkan lengan geser (27) dengan gagang (1) secara perlahan ke bawah.
- Arahkan benda kerja sedemikian rupa sehingga gigi mata gergaji sejajar dengan garis pemotongan.
- Kencangkan benda kerja pada posisi ini dan arahkan lengan geser secara perlahan ke atas.
- Kencangkan benda kerja.
- Nyalakan sinar laser pada switch (59).

Sinar laser harus berada pada sepanjang bagian sisi kanan dan kiri dengan jarak yang sama dari garis pemotongan, juga jika lengan geser diturunkan.

Melepas kap pelindung laser (lihat gambar T2)

- Kendurkan kedua baut (62) kap pelindung laser (26) dengan kunci L (4 mm) (16).

Catatan: Untuk mencapai baut bagian depan dari kap pelindung laser, gerakkan lengan geser sedikit ke bawah hingga kunci L dapat dimasukkan ke salah satu lubang dari kap pelindung yang bisa bergerak.

Mengatur kerataan (lihat gambar T3)

- Lepas kap pelindung laser (26).

1. Mengatur sinar laser sebelah kanan:

- Putar sekrup penyetel bagian belakang (63) dengan kunci L (17) hingga sinar laser bagian kanan sejajar dengan garis pemotongan yang digambarkan pada benda kerja. Dengan demikian, sinar laser sebelah kiri akan ikut berpindah.

Satu putaran berlawanan arah jarum jam menggerakkan sinar laser dari kiri ke kanan, satu putaran searah jarum jam menggerakkan sinar laser dari kanan ke kiri.

2. Mengatur sinar laser sebelah kiri:

- Putar sekrup penyetel bagian depan (63) dengan kunci L (17) hingga sinar laser sebelah kiri berada di jarak yang sama dari garis pemotongan yang digambarkan pada benda kerja seperti sinar laser sebelah kanan.

Satu putaran berlawanan arah jarum jam menggerakkan sinar laser dari kiri ke kanan, satu putaran searah jarum jam menggerakkan sinar laser dari kanan ke kiri.

- Kencangkan kembali kap pelindung laser (26).

Mengatur kesejajaran (lihat gambar T4)

- Lepas kap pelindung laser (26).
- Kendurkan sekrup pengencang (64) (sekitar 1–2 putaran) dengan kunci L (17). Jangan memutar baut hingga benar-benar terlepas.
- Geser pelat pemasangan laser ke kanan atau kiri hingga sinar laser pada panjang yang sama dengan garis pemotongan yang digambarkan pada benda kerja.
- Tahan pelat pemasangan laser pada posisi ini dan kencangkan kembali baut pengencang s (64).
- Setelah melakukan penyetelan, periksa kembali apakah garis pemotongan telah rata. Jika perlu, sejajarkan sinar laser dengan sekrup penyetel (63) sekali lagi.
- Kencangkan kembali kap pelindung laser (26).

Mengatur deviasi lateral saat menggerakkan lengan geser (lihat gambar T5)

- Lepas kap pelindung laser (26).
- Kendurkan kedua sekrup pengencang (65) (sekitar 1–2 putaran) dengan kunci L (17). Jangan memutar baut hingga terlepas.
- Geser rumah laser ke kanan atau ke kiri hingga sinar laser tidak menyimpang di sisi pada waktu lengan geser digerakkan ke bawah.
- Setelah melakukan penyetelan, periksa kembali apakah garis pemotongan telah rata. Jika perlu, sejajarkan sinar laser dengan sekrup penyetel (63) sekali lagi.
- Pertahankan rumah laser pada posisi ini dan kencangkan kembali sekrup pengencang (65).
- Kencangkan kembali kap pelindung laser (26).

Mengatur sudut potong vertikal standar 0°

- Setel perkakas listrik pada posisi pengoperasian.
- Putar meja potong (37) hingga mencapai alur (14) untuk 0°. Tuas (12) harus terasa mengunci pada alur.

Memeriksa (lihat gambar U1)

- Atur mistar pengukur sudut pada 90° dan letakkan di atas meja potong (37).

Kaki pengukur sudut harus rata dengan mata gergaji (39).

Mengatur (lihat gambar U2)

- Kendurkan gagang pengencang (13).
- Kendurkan kedua sekrup penyatel (66) (paling sedikit 1 putaran) dengan kunci sok (10 mm).
- Kendurkan sekrup penyatel (68) (sekitar 3 putaran) dengan kunci L (4 mm) (16).
- Putar sekrup penyatel (67) dengan kunci L (4 mm) (16) sejauh mungkin ke dalam atau ke luar hingga kaki sudut dari mistar pengukur sudut rata dengan mata gergaji.
- Kencangkan kembali gagang pengencang (13). Setelah itu, tarik terlebih dahulu sekrup penyatel (68) kemudian kencangkan kembali sekrup penyatel (66).

Jika indikator sudut (32) dan (20) tidak berada pada satu garis dengan tanda 0° dari skala (31) setelah pengaturan dilakukan, kendurkan sekrup pengencang indikator sudut dengan obeng kembang dan arahkan indikator sudut sepanjang tanda 0°.

Mengatur sudut potong vertikal standar 45° (kiri)

- Setel perkakas listrik pada posisi pengoperasian.
- Putar meja potong (37) hingga mencapai alur (14) untuk 0°. Tuas (12) harus terasa mengunci pada alur.
- Tarik rel pembatas yang dapat diubah sebelah kiri (5) ke luar sepenuhnya.
- Kendurkan gagang pengencang (13) dan gerakkan lengan geser pada gagang (1) ke kiri hingga maksimal (45°).

Memeriksa (lihat gambar V1)

- Atur mistar pengukur sudut pada 45° dan letakkan di atas meja potong (37).

Kaki pengukur sudut harus rata dengan mata gergaji (39).

Mengatur (lihat gambar V2)

- Putar sekrup penyatel (69) dengan kunci pas (8 mm) sejauh mungkin ke dalam atau luar hingga kaki sudut dari mistar pengukur sudut rata dengan mata gergaji.
- Kencangkan kembali gagang pengencang (13).

Jika indikator sudut (32) dan (20) tidak berada pada satu garis dengan tanda 45° dari skala (31) setelah pengaturan dilakukan, pertama periksa sekali lagi pengaturan 0° untuk sudut potong vertikal dan indikator sudut. Kemudian ulangi pengaturan sudut potong vertikal 45°.

Mengatur sudut potong vertikal standar 45° (kanan)

- Setel perkakas listrik pada posisi pengoperasian.
- Putar meja potong (37) hingga mencapai alur (14) untuk 0°. Tuas (12) harus terasa mengunci pada alur.
- Tarik rel pembatas yang dapat diubah sebelah kanan (5) ke luar sepenuhnya.
- Kendurkan gagang pengencang (13).
- Miringkan sedikit lengan geser pada gagang (1) dari posisi 0° ke kiri dan putar kenop putar (38) hingga rentang sudut potong vertikal sebelah kanan ditampilkan.
- Gerakkan lengan geser pada pegangan (1) ke kanan hingga maksimal (45°).

45°R

Memeriksa (lihat gambar W1)

- Atur mistar pengukur sudut pada 135° dan letakkan di atas meja potong (37).

Kaki pengukur sudut harus rata dengan mata gergaji (39).

Mengatur (lihat gambar W2)

- Putar sekrup penyatel (70) dengan kunci pas (8 mm) sejauh mungkin ke dalam atau luar hingga kaki sudut dari mistar pengukur sudut sejajar dengan mata gergaji.
- Kencangkan kembali gagang pengencang (13).

Jika indikator sudut (32) dan (20) tidak berada pada satu garis dengan tanda 45° dari skala (31) setelah pengaturan dilakukan, pertama periksa sekali lagi pengaturan 0° untuk sudut potong vertikal dan indikator sudut. Kemudian ulangi pengaturan sudut potong vertikal 45°.

Menyelaraskan skala untuk sudut potong horizontal

- Setel perkakas listrik pada posisi pengoperasian.
- Putar meja potong (37) hingga mencapai alur (14) untuk 0°. Tuas (12) harus terasa mengunci pada alur.

Memeriksa (lihat gambar X1)

- Atur mistar pengukur sudut pada 90° dan letakkan di antara rel pembatas (6) dan mata gergaji (39) di atas meja potong (37).

Kaki pengukur sudut harus rata dengan mata gergaji (39).

Mengatur (lihat gambar X2)

- Kendurkan keempat sekrup penyatel (71) dengan kunci L (4 mm) (16) dan putar meja potong (37) secara bersamaan dengan skala (36) hingga kaki pengukur sudut rata dengan mata gergaji.
- Kencangkan kembali sekrup.

Jika indikator sudut (57) tidak berada pada satu garis dengan tanda 0° dari skala (36) setelah pengaturan dilakukan, kendurkan sekrup (72) dengan obeng kembang dan arahkan indikator sudut sepanjang tanda 0°.

Mengatur daya jepit gagang pengencang (13) (lihat gambar Y)

Daya jepit dari gagang pengencang (13) dapat diatur ulang.

Memeriksa

- Daya jepit dari gagang pengencang harus dapat menahan dengan baik kedudukan lengan geser pada semua sudut potong vertikal.

Mengatur

- Kendurkan gagang pengencang (13).
- Putar sekrup penyatel (73) dengan kunci sok (17 mm) berlawanan arah jarum jam untuk mengurangi daya jepit atau putar searah jarum jam untuk menambah daya jepit.
- Atur sudut potong vertikal, kencangkan kembali gagang pengencang (13) dan periksa apakah daya jepit yang diinginkan tercapai.

Mengangkut (lihat gambar Z)

Sebelum mengangkut perkakas listrik, lakukan langkah-langkah berikut:

- Dorong lengan geser (27) sepenuhnya ke belakang dan tahan pada posisi tersebut.

- Pastikan pembatas kedalaman (**29**) ditekan sepenuhnya ke dalam dan sekrup penyatel (**28**) sesuai dengan lubang saat menggerakkan lengan geser tanpa menyentuh pembatas kedalaman.
 - Pindahkan lengan geser sejauh mungkin ke bawah hingga kunci transpor (**30**) dapat didorong sepenuhnya ke dalam
 - Dorong ekstensi meja potong (**7**) ke dalam sepenuhnya.
 - Atur sudut potong vertikal pada 0° dan kencangkan gagang pengencang (**13**).
 - Putar meja potong (**37**) ke kiri hingga maksimal dan kencangkan kenop pengunci (**11**).
 - Ikat kabel listrik dengan kain perekat (**74**).
 - Lepaskan semua aksesoris yang tidak dapat dipasang dengan kencang pada perkakas listrik.
 - Selama pengangkutan, mata gergaji yang tidak dipakai sebaiknya disimpan di dalam tempat tertutup.
 - Untuk pengangkutan, genggam lekukan tempat memegang (**15**) yang berada di sisi meja potong.
- **Saat mengangkat perkakas listrik, hanya gunakan komponen transpor dan jangan pernah menggunakan komponen perlindungan, lengan geser atau gagang .**

Perawatan dan servis

Perawatan dan pembersihan

- **Sebelum mulai dengan pekerjaan pada perkakas listrik, tariklah steker dari stopkontak.**
- **Perkakas listrik dan lubang ventilasi harus selalu dibersihkan agar perkakas dapat digunakan dengan baik dan aman.**

Jika kabel listrik harus diganti, pekerjaan ini harus dilakukan oleh **Bosch** atau Service Center untuk perkakas listrik **Bosch** resmi agar keselamatan kerja selalu terjamin.

Kap pelindung yang dapat bergerak harus dapat bergerak secara bebas dan menutup sendiri. Karena itu, jaga kebersihan area di sekitar kap pelindung yang dapat bergerak.

- Setelah setiap penggunaan, bersihkan debu dan serbuk menggunakan kuas.
- Bersihkan rol peluncur (**19**) dan lengan geser (**27**) secara berkala.

Aksesoris

	Nomor seri
Klem	1 609 B06 203
Pelat belahan	1 609 B04 470
Kantung debu	1 609 B05 010
Adapter pengisap	2 607 001 977
Meja kerja GTA 2500 W	0 601 B12 100
Meja kerja GTA 3800	0 601 B24 000
Mesin pengisap kayu GAS 35 M AFC	0 601 9C3 100

Mata gergaji untuk kayu dan material tipis, panel dan lis

Nomor seri

Mata gergaji 305 x 25,4 mm, 60 gigi 2 608 640 914

Mata gergaji untuk bahan sintetik dan logam nonbesi

Mata gergaji 305 x 25,4 mm, 96 gigi 2 608 642 205

Mata gergaji 305 x 25,4 mm, 96 gigi 2 608 642 206

Layanan pelanggan dan konsultasi penggunaan

Layanan pelanggan Bosch menjawab semua pertanyaan Anda tentang reparasi dan perawatan serta tentang suku cadang produk ini. Gambaran teknis (exploded view) dan informasi mengenai suku cadang dapat ditemukan di: www.bosch-pt.com

Tim konsultasi penggunaan Bosch akan membantu Anda menjawab pertanyaan seputar produk kami beserta aksesorinya.

Jika Anda hendak menanyakan sesuatu atau memesan suku cadang, selalu sebutkan nomor model yang terdiri dari 10 angka dan tercantum pada label tipe produk.

Indonesia

PT Robert Bosch
Palma Tower 10th Floor
Jalan RA Kartini II-S Kaveling 6
Pondok Pinang, Kebayoran Lama
Jakarta Selatan 12310
Tel.: (021) 3005 5800
Fax: (021) 3005 5801
E-Mail: boschpowertools@id.bosch.com
www.bosch-pt.co.id

Cara membuang

Perkakas listrik, aksesoris, dan kemasan sebaiknya didaur ulang secara ramah lingkungan.



Jangan membuang perkakas listrik ke dalam sampah rumah tangga!

Tiếng Việt

Hướng dẫn an toàn

Cảnh báo Tổng quát Cách sử dụng An toàn Dụng cụ điện Cẩm tay

⚠ CẢNH BÁO **Hãy đọc toàn bộ các cảnh báo an toàn, hướng dẫn, hình ảnh và thông số kỹ thuật được cung cấp cho dụng cụ điện cầm tay này.** Không tuân thủ mọi hướng dẫn được liệt kê dưới đây có thể bị điện giật, gây cháy và /hay bị thương tật nghiêm trọng. **Hãy giữ tất cả tài liệu về cảnh báo và hướng dẫn để tham khảo về sau.**

Thuật ngữ "dụng cụ điện cầm tay" trong phần cảnh báo là để cập đến sự sử dụng dụng cụ điện cầm tay của bạn, loại sử dụng điện nguồn (có dây cắm điện) hay vận hành bằng pin (không dây cắm điện).

Khu vực làm việc an toàn

- ▶ **Giữ nơi làm việc sạch và đủ ánh sáng.** Nơi làm việc bừa bộn và tối tăm dễ gây ra tai nạn.
- ▶ **Không vận hành dụng cụ điện cầm tay trong môi trường dễ gây nổ, chẳng hạn như nơi có chất lỏng dễ cháy, khí đốt hay rác.** Dụng cụ điện cầm tay tạo ra các tia lửa nên có thể làm rác bén cháy hay bốc khói.
- ▶ **Không để trẻ em hay người đến xem đứng gần khi vận hành dụng cụ điện cầm tay.** Sự phân tâm có thể gây ra sự mất điều khiển.

An toàn về điện

- ▶ **Phích cắm của dụng cụ điện cầm tay phải thích hợp với ổ cắm.** Không bao giờ được cải biến lại phích cắm dưới mọi hình thức. Không được sử dụng phích tiếp hợp nối tiếp đất (dây mát). Phích cắm nguyên bản và ổ cắm đúng loại sẽ làm giảm nguy cơ bị điện giật.
- ▶ **Tránh không để thân thể tiếp xúc với đất hay các vật có bề mặt tiếp đất như đường ống, lò sưởi, hàng rào và tủ lạnh.** Có nhiều nguy cơ bị điện giật hơn nếu cơ thể bạn bị tiếp hay nối đất.
- ▶ **Không được để dụng cụ điện cầm tay ngoài mưa hay ở tình trạng ẩm ướt.** Nước vào máy sẽ làm tăng nguy cơ bị điện giật.
- ▶ **Không được lạm dụng dây dẫn điện.** Không bao giờ được nắm dây dẫn để xách, kéo hay rút phích cắm dụng cụ điện cầm tay. Không để dây gần nơi có nhiệt độ cao, dầu nhớt, vật nhọn bén và bộ phận chuyển động. Làm hỏng hay cuộn rối dây dẫn làm tăng nguy cơ bị điện giật.
- ▶ **Khi sử dụng dụng cụ điện cầm tay ngoài trời, dùng dây nối thích hợp cho việc sử dụng ngoài trời.** Sử dụng dây nối thích hợp cho việc sử dụng ngoài trời làm giảm nguy cơ bị điện giật.
- ▶ **Nếu việc sử dụng dụng cụ điện cầm tay ở nơi ẩm ướt là không thể tránh được, dùng thiết bị ngắt mạch tự động (RCD) bảo vệ nguồn.** Sử dụng thiết bị ngắt mạch tự động RCD làm giảm nguy cơ bị điện giật.

An toàn cá nhân

- ▶ **Hãy tỉnh táo, biết rõ mình đang làm gì và hãy sử dụng ý thức khi vận hành dụng cụ điện cầm tay.** Không sử dụng dụng cụ điện cầm tay khi đang mệt mỏi hay đang bị tác động do chất gây nghiện, rượu hay được phẩm gây ra. Một thoáng mất tập trung khi đang vận hành dụng cụ điện cầm tay có thể gây thương tích nghiêm trọng cho bản thân.
- ▶ **Sử dụng trang bị bảo hộ cá nhân.** Luôn luôn đeo kính bảo vệ mắt. Trang bị bảo hộ như

khẩu trang, giày chống trượt, nón bảo hộ, hay dụng cụ bảo vệ tai khi được sử dụng đúng nơi đúng chỗ sẽ làm giảm nguy cơ thương tật cho bản thân.

- ▶ **Phòng tránh máy khởi động bất ngờ.** **Bảo đảm công tắc máy ở vị trí tắt trước khi cắm vào nguồn điện và/hay lắp pin vào, khi nhấn máy lên hay khi mang xách máy.** Ngáng ngón tay vào công tắc máy để xách hay kích hoạt dụng cụ điện cầm tay khi công tắc ở vị trí mở dễ dẫn đến tai nạn.
- ▶ **Lấy mọi chìa hay khóa điều chỉnh ra trước khi mở điện dụng cụ điện cầm tay.** Khóa hay chìa còn gắn dính vào bộ phận quay của dụng cụ điện cầm tay có thể gây thương tích cho bản thân.
- ▶ **Không rướn người.** Luôn luôn giữ tư thế đứng thích hợp và thẳng bằng. Điều này tạo cho việc điều khiển dụng cụ điện cầm tay tốt hơn trong mọi tình huống bất ngờ.
- ▶ **Trang phục thích hợp.** Không mặc quần áo rộng lung tung hay mang trang sức. **Giữ tóc và quần áo xa khỏi các bộ phận chuyển động.** Quần áo rộng lung tung, đồ trang sức hay tóc dài có thể bị cuốn vào các bộ phận chuyển động.
- ▶ **Nếu có các thiết bị đi kèm để nối máy hút bụi và các phụ kiện khác, bảo đảm các thiết bị này được nối và sử dụng tốt.** Việc sử dụng các thiết bị gom hút bụi có thể làm giảm các độc hại liên quan đến bụi gây ra.
- ▶ **Không để thói quen do sử dụng thường xuyên dụng cụ khiến bạn trở nên chủ quan và bỏ qua các quy định an toàn dụng cụ.** Một hành vi bất cẩn có thể gây ra thương tích nghiêm trọng chỉ trong tích tắc.

Sử dụng và bảo dưỡng dụng cụ điện cầm tay

- ▶ **Không được ép máy.** Sử dụng dụng cụ điện cầm tay đúng loại theo đúng ứng dụng của bạn. Dụng cụ điện cầm tay đúng chức năng sẽ làm việc tốt và an toàn hơn theo đúng tiến độ mà máy được thiết kế.
- ▶ **Không sử dụng dụng cụ điện cầm tay nếu như công tắc không tắt và mở được.** Bất kỳ dụng cụ điện cầm tay nào mà không thể điều khiển được bằng công tắc là nguy hiểm và phải được sửa chữa.
- ▶ **Rút phích cắm ra khỏi nguồn điện và/hay pin ra khỏi dụng cụ điện cầm tay nếu có thể tháo được, trước khi tiến hành bất kỳ điều chỉnh nào, thay phụ kiện, hay cất dụng cụ điện cầm tay.** Các biện pháp ngăn ngừa như vậy làm giảm nguy cơ dụng cụ điện cầm tay khởi động bất ngờ.
- ▶ **Cất giữ dụng cụ điện cầm tay không dùng tới nơi trẻ em không lấy được và không cho người chưa từng biết dụng cụ điện cầm tay**

hay các hướng dẫn này sử dụng dụng cụ điện cầm tay. Dụng cụ điện cầm tay nguy hiểm khi ở trong tay người chưa được chỉ cách sử dụng.

- ▶ **Bảo quản dụng cụ điện cầm tay và các phụ kiện.** Kiểm tra xem các bộ phận chuyển động có bị sai lệch hay kẹt, các bộ phận bị rạn nứt và các tình trạng khác có thể ảnh hưởng đến sự vận hành của máy. Nếu bị hư hỏng, phải sửa chữa máy trước khi sử dụng. Nhiều tai nạn xảy ra do bảo quản dụng cụ điện cầm tay tồi.
- ▶ **Giữ các dụng cụ cắt bén và sạch.** Bảo quản đúng cách các dụng cụ cắt có cạnh cắt bén làm giảm khả năng bị kẹt và dễ điều khiển hơn.
- ▶ **Sử dụng dụng cụ điện cầm tay, phụ kiện, đầu cắt v. v., đúng theo các chỉ dẫn này, hãy lưu ý đến điều kiện làm việc và công việc phải thực hiện.** Sử dụng dụng cụ điện cầm tay khác với mục đích thiết kế có thể tạo nên tình huống nguy hiểm.
- ▶ **Giữ tay cầm và bề mặt nắm luôn khô ráo, sạch sẽ và không dính dầu mỡ.** Tay cầm và bề mặt nắm trơn trượt không đem lại thao tác an toàn và kiểm soát dụng cụ trong các tình huống bất ngờ.

Bảo dưỡng

- ▶ **Đưa dụng cụ điện cầm tay của bạn đến thợ chuyên môn để bảo dưỡng, chỉ sử dụng phụ tùng đúng chủng loại để thay.** Điều này sẽ đảm bảo sự an toàn của máy được giữ nguyên.

Cảnh báo an toàn cho cửa kiểu cung

- ▶ **Các cửa kiểu cung được dùng để cắt gỗ hoặc các sản phẩm giống gỗ, không thể dùng các cửa này với các bánh mài cắt đứt để cắt các vật liệu dạng thanh, tròn, chốt.** Bụi mài mòn khiến các bộ phận chuyển động ví dụ như tấm chắn bảo vệ phía dưới bị kẹt. Các tia lửa từ quá trình mài cắt đứt sẽ đốt cháy tấm chắn bảo vệ bên dưới, lớp chèn rãnh khoét và các bộ phận bằng nhựa khác.
- ▶ **Sử dụng kẹp để đỡ phôi gia công bất cứ khi nào có thể.** Nếu đỡ phôi gia công bằng tay, phải luôn giữ tay cách xa một trong hai phía của lưỡi cửa ít nhất là 100 mm. Không sử dụng cửa này để cắt các chi tiết quá nhỏ khó kẹp chặt hoặc khó giữ chặt bằng tay. Nếu tay của bạn đặt quá gần lưỡi cửa, sẽ có nguy cơ bị thương do chạm vào lưỡi cửa.
- ▶ **Phôi gia công phải tĩnh và được kẹp chặt hoặc giữ chặt vào cả tấm chắn và bàn.** Không cho phôi gia công vào lưỡi hoặc cắt bằng tay trần dưới bất kỳ hình thức nào. Các phôi gia công động hoặc không được kim giữ có thể bắn với tốc độ cao, gây ra thương tích.

- ▶ **Đẩy cửa xuyên qua phôi gia công. Không kéo cửa xuyên qua phôi gia công. Để cắt, hãy nâng cao đầu cửa và kéo nó qua phía trên phôi gia công mà không cắt, khởi động mô tơ, nhấn đầu cửa xuống và đẩy cửa xuyên qua phôi gia công.** Việc cắt theo hành trình đi lên có thể khiến lưỡi cửa đi lên phần đỉnh của phôi gia công và làm văng mạnh cụm lưỡi cửa vào người vận hành.
- ▶ **Không được đặt tay ngang qua đường sắp cắt ở phía trước hoặc phía sau lưỡi cửa.** Việc đỡ phôi gia công bằng “hai tay chéo nhau” ví dụ như giữ phôi gia công ở bên phải của lưỡi cửa bằng tay trái và ngược lại sẽ rất nguy hiểm.
- ▶ **Không vờ tay ra phía sau tấm chắn mà chỉ cách mỗi phía của lưỡi cửa chưa đến 100 mm, để loại bỏ vụn gỗ, hoặc vì lý do nào khác trong khi lưỡi dao đang quay.** Độ gần giữa lưỡi cửa đang quay với bàn tay bạn có thể không rõ ràng và có thể gây ra thương tích nặng.
- ▶ **Kiểm tra phôi gia công trước khi cắt. Nếu phôi bị cong vênh, hãy kẹp phôi gia công có mặt ngoài cong vênh vào tấm chắn. Luôn đảm bảo không có khe hở giữa phôi gia công, tấm chắn và bàn dọc theo đường cắt.** Phôi cong vênh có thể bị vụn xoắn hoặc biến dạng và có thể làm kẹt lưỡi cửa đang quay trong khi cắt. Không được có đinh hoặc các vật lạ trong phôi gia công.
- ▶ **Không sử dụng cửa cho đến khi đã dọn sạch tất cả các dụng cụ, vụn gỗ., trên bàn, ngoại trừ phôi gia công.** Những mảnh vụn nhỏ, các mảnh gỗ lỏng hoặc những vật thể khác khi tiếp xúc với lưỡi dao đang quay có thể bị văng ra với tốc độ cao.
- ▶ **Mỗi lần chỉ cắt một phôi gia công.** Nhiều phôi gia công xếp chồng có thể không được kẹp chặt và gia cố chặt, do đó có thể gây kẹt hoặc làm biến dạng lưỡi cửa trong quá trình cắt.
- ▶ **Đảm bảo cửa kiểu cung đã được lắp và định vị cân bằng, gia cố bề mặt làm việc trước khi sử dụng.** Bề mặt làm việc bằng phẳng và chắc chắn sẽ giảm nguy cơ không ổn định của cửa kiểu cung.
- ▶ **Lập kế hoạch công việc.** Mỗi lần bạn thay đổi thiết lập góc xiên hoặc góc 45 độ, hãy đảm bảo tấm chắn điều chỉnh được lắp đặt đúng cách để đỡ phôi gia công và sẽ không gây trở ngại cho lưỡi cửa hay hệ thống chắn. Nếu dụng cụ không quay khi được “BẬT” và không có phôi gia công trên bàn, hãy đưa lưỡi cửa xuyên qua một đường cắt mô phỏng hoàn thiện để đảm bảo sẽ không có trở ngại hoặc nguy hiểm nào khi tấm chắn bị cắt.
- ▶ **Cung cấp đầy đủ các dụng cụ đỡ ví dụ như các phần mở rộng bàn, bệ đỡ máy cửa, vv cho loại phôi gia công rộng hơn hoặc dài hơn chớp bàn.** Các phôi gia công dài hơn hoặc rộng

hơn bàn cửa kiểu cung có thể bị đổ nếu không được đỡ chắc chắn. Nếu chi tiết cắt hoặc phôi gia công bị đổ, nó có thể nhắc bóng tấm chắn bên dưới hoặc bị văng xa bởi lưỡi cửa đang quay.

- ▶ **Không sử dụng một người khác để thay thế phần mở rộng bàn hoặc làm vật đỡ bổ sung.** Việc đỡ phôi gia công không chắc chắn có thể khiến lưỡi cửa bị kẹt hoặc phôi gia công bị biến dạng trong lúc cắt, do đó bạn và người trợ giúp có thể bị kéo vào lưỡi cửa đang quay.
- ▶ **Không được chèn hoặc nhấn chi tiết cắt bằng bất kỳ công cụ nào tỳ vào lưỡi cửa đang quay.** Nếu bị giới hạn, tức là sử dụng các cỡ chặn chiều dài, chi tiết cắt có thể bị chèn chặt vào lưỡi cửa và bị văng mạnh.
- ▶ **Luôn sử dụng kẹp hoặc đồ gá được thiết kế để đỡ các vật liệu hình tròn như thanh đòn hoặc ống.** Các thanh đòn có xu hướng lăn đi khi bị cắt, khiến lưỡi cửa bị “kẹt” và kéo sản phẩm cùng tay bạn vào lưỡi cửa.
- ▶ **Để lưỡi cửa đạt tốc độ đầy đủ trước khi cho chạm vào phôi gia công.** Việc này sẽ làm giảm nguy cơ phôi gia công bị văng đi.
- ▶ **Nếu phôi gia công hoặc lưỡi cửa bị kẹt, hãy tắt cửa kiểu cung. Chờ cho tất cả các bộ phận chuyển động dừng lại và rút phích cắm ra khỏi nguồn điện và/hoặc tháo bộ nguồn pin.** Sau đó gỡ vật liệu bị kẹt. Nếu tiếp tục cửa khi phôi gia công bị kẹt có thể gây mất kiểm soát hoặc làm hư hỏng cửa kiểu cung.
- ▶ **Sau khi cắt xong, hãy nhả công tắc, giữ đầu cửa xuống dưới và chờ cho lưỡi cửa dừng lại trước khi bỏ chi tiết cắt ra.** Với tay vào gần lưỡi cửa đang trượt xuống sẽ rất nguy hiểm.
- ▶ **Giữ tay cầm chắc chắn khi thực hiện một đường cắt chưa hoàn thiện hoặc khi nhả công tắc trước khi đầu cửa ở vị trí bên dưới.** Hành động phanh của cửa có thể khiến đầu cửa bị kéo xuống đột ngột, dẫn đến nguy cơ bị thương.
- ▶ **Giữ nơi làm việc của bạn sạch sẽ.** Các hỗn hợp vật liệu là đặc biệt nguy hiểm. Bụi kim loại nhẹ có thể cháy hoặc nổ.
- ▶ **Không được sử dụng lưỡi cửa cùn, nứt, cong hay đã bị hỏng.** Lưỡi cửa không bền hay mài dũa không đúng cách tạo ra mạch cửa hẹp dẫn đến sự ma sát quá mức, lưỡi cửa bị chèn chặt và dội ngược.
- ▶ **Không được sử dụng lưỡi cửa thép gió (HSS).** Những loại lưỡi cửa như vậy có thể vỡ dễ dàng.
- ▶ **Luôn sử dụng các lưỡi cửa đúng kích cỡ và hình dáng (lưỡi kim cương khác với lưỡi tròn) của lỗ tâm.** Các lưỡi cửa không khớp với các phụ kiện cứng ghép nối của máy cửa sẽ làm lệch tâm và có thể làm mất kiểm soát.

- ▶ **Không được thay thế hay lắp đặt laze bằng một loại laze khác.** Loại laze không thích hợp với dụng cụ điện này có thể làm cho những người khác bị nguy hiểm.
- ▶ **Luôn luôn đẩy cần máy trở về vị trí số không trước và sau đó tắt máy.** Luôn luôn đưa tay máy về lại vị trí trung gian trước, rồi sau đó mới tắt máy đi.
- ▶ **Không được chạm vào lưỡi cửa sau khi vừa hoạt động xong, trước khi lưỡi cửa đã nguội.** Lưỡi cửa trở nên rất nóng trong lúc hoạt động.
- ▶ **Không bao giờ được làm cho các dấu hiệu cảnh báo trên máy không thể đọc được.**
- ▶ **Thận trọng - nếu những thiết bị khác ngoài thiết bị hiệu chỉnh hoặc thiết bị điều khiển được nêu ở đây được sử dụng hoặc các phương pháp khác được tiến hành, có thể dẫn đến phơi nhiễm phóng xạ nguy hiểm.**
- ▶ **Không được thay thế hay lắp đặt laze bằng một loại laze khác.** Loại laze không thích hợp với dụng cụ điện này có thể làm cho những người khác bị nguy hiểm.
- ▶ **Không thực hiện bất kỳ thay đổi nào ở thiết bị laze.** Bạn có thể sử dụng các thiết lập được mô tả trong sách hướng dẫn này một cách an toàn.



Không được hướng tia laze vào người hoặc động vật và không được nhìn vào tia laze trực tiếp hoặc phản xạ. Bởi vì bạn có thể chiếu lóa mắt người, gây tai nạn hoặc gây hỏng mắt.

Các Biểu Tượng

Các biểu tượng sau đây có khả năng diễn đạt ý nghĩa về cách sử dụng dụng cụ điện cầm tay của bạn. Xin vui lòng ghi nhận các biểu tượng và ý nghĩa của chúng. Sự hiểu đúng các biểu tượng sẽ giúp bạn sử dụng máy một cách tốt và an toàn hơn.

Biểu tượng và các ý nghĩa của chúng	
	Sản phẩm laser cấp độ 1
	Đề tay tránh khỏi phạm vi cắt khi máy đang hoạt động. Có nguy cơ gây thương tích khi chạm vào lưỡi cửa.
	Hãy mang mặt nạ chống bụi.

Biểu tượng và các ý nghĩa của chúng**Hãy mang kính bảo hộ.****Hãy mang dụng cụ bảo vệ tai.**

Để tai trần tiếp xúc với tiếng ồn có thể làm mất thính giác.

**Phạm vi nguy hiểm! Để tay, ngón tay hay cánh tay ra xa khỏi phạm vi này.****Không đưa ngón tay vào giữa các chi tiết của cần trượt.** Nguy hiểm do các ngón tay bị nghiền hay giập và bị thương tích nghiêm trọng.

Hãy tuân thủ kích thước của lưỡi cửa. Đường kính lỗ phải vừa vặn với trục máy của dụng cụ, không bị lỏng lẻo. Nếu cần sử dụng ống nối chuyển tiếp, hãy đảm bảo rằng các kích thước của ống nối chuyển tiếp phải phù hợp với độ dày thép lá và đường kính lỗ của lưỡi cửa cũng như đường kính của trục dụng cụ. Hãy sử dụng ống nối chuyển tiếp giao kèm với lưỡi cửa.

Đường kính lưỡi cửa phải phù hợp với thông số trên biểu tượng.



Khi vận chuyển máy, chỉ nắm máy tại vị trí đã được chỉ rõ (phần lõm của tay nắm) hay bằng tay nắm dùng khi di chuyển.



Không bao giờ được sử dụng tay nắm của cần trượt để xách dụng cụ điện.



Bật laser



Cần khóa góc xiên mở:

Có thể điều chỉnh góc xiên.

Cần khóa góc xiên đóng:

Sự chỉnh đặt góc xiên của cần trượt đã được khóa.

Biểu tượng và các ý nghĩa của chúng

Chỉ rõ từng bước điều chỉnh góc xiên.

1. Nới lỏng cần khóa
2. Xoay nhẹ cần trượt sang trái
3. Điều chỉnh tầm giới hạn góc xiên đứng bằng núm xoay



Điều chỉnh tầm giới hạn góc xiên đứng bằng núm xoay:



Nghiêng lưỡi cửa sang trái (45° ... 0°)



Nghiêng lưỡi cửa sang phải (0° ... 45°)



Toàn bộ khu vực xoay của cần trượt (-47° ... +47°)

Mô Tả Sản Phẩm và Đặc Tính Kỹ Thuật**Đọc kỹ mọi cảnh báo an toàn và mọi hướng dẫn.** Không tuân thủ mọi cảnh báo và hướng dẫn được liệt kê dưới đây có thể bị điện giật, gây cháy và / hay bị thương tật nghiêm trọng.

Xin lưu ý các hình minh hoạt trong phần trước của hướng dẫn vận hành.

Sử dụng đúng cách

Dụng cụ điện được thiết kế là máy đặt cố định để cất gỗ theo đường thẳng và chéo. Có thể đạt góc vát ngang từ -52° đến +60° cũng như góc xiên đứng từ 47° (bên trái) đến 47° (bên phải).

Năng suất của dụng cụ điện được thiết kế để cưa gỗ cứng và gỗ mềm như tấm gỗ ép và tấm xơ ép.

Khi sử dụng lưỡi cửa thích hợp, việc cưa nhôm định hình và nhựa cứng có thể được.

Các bộ phận được minh họa

Sự đánh số các biểu trưng của sản phẩm là để tham khảo hình minh họa của máy trên trang hình ảnh.

- (1) Tay Nắm
- (2) Núm nhả khóa của công tắc Tắt/Mở
- (3) Chắn bảo vệ lưỡi
- (4) Chắn đàn hồi bảo vệ lưỡi
- (5) Chấn điều chỉnh được
- (6) thước dẫn hướng
- (7) Bàn Cưa mở rộng
- (8) Lỗ lắp bắt

- (9) Thanh chèn
 (10) Khóa khung
 (11) Núm khóa dành cho các góc vát khác nhau (ngang)
 (12) Cần điều chỉnh góc vát (ngang)
 (13) Cần khóa cố định các góc vát khác nhau (đứng)
 (14) Mẫu khóa cho góc vát tiêu chuẩn (ngang)
 (15) Chỗ lõm để nắm
 (16) Chia vận lục giác (6 mm/4 mm)
 (17) Chia vận lục giác (2 mm)
 (18) Gá kẹp nhanh
 (19) Bánh lăn
 (20) Chỉ báo góc cho tâm giới hạn góc xiên phải (0° đến 47°) (đứng)
 (21) Bộ phận dẫn phoi
 (22) Vít khóa cầu thanh
 (23) Cút nối ống hút
 (24) Cần khóa cơ cấu trượt
 (25) Nhãn cảnh báo laser
 (26) Chụp bảo vệ laser
 (27) Cần trượt
 (28) Vít điều chỉnh cỡ định độ sâu
 (29) Cỡ định độ sâu
 (30) Khóa an toàn dừng khi di chuyển
 (31) Thước đo góc xiên (đứng)
 (32) Hiển thị góc cho tâm giới hạn góc xiên trái (47° đến 0°) (đứng)
 (33) Núm điều chỉnh góc xiên $22,5^\circ$ (đứng)
 (34) Vít khóa cửa thanh chặn vật liệu^{A)}
 (35) Cỡ chặn chiều dài^{A)}
 (36) Thước đo góc vát (ngang)
 (37) Bàn cưa
 (38) Núm xoay dùng điều chỉnh tâm giới hạn góc xiên (dọc)
 (39) Lưỡi cưa
 (40) Cửa chiếu luồng laze
 (41) Vít khóa cửa cầu thanh chắn đàn hồi bảo vệ lưỡi
 (42) Cầu thanh của chắn đàn hồi bảo vệ lưỡi
 (43) Vít cố định trước (Nắp chụp/chắn đàn hồi bảo vệ lưỡi)
 (44) Vít cố định sau (Nắp chụp/chắn đàn hồi bảo vệ lưỡi)
 (45) Nắp chụp
 (46) Khóa trục
 (47) Vít lục giác để cố định lưỡi cưa
 (48) Bích kẹp
 (49) Bích kẹp trong
 (50) Cần kẹp cố định bàn cưa mở rộng
 (51) Vít khóa cửa chắn điều chỉnh được
 (52) Bộ phận điều khiển chuyển động trượt
 (53) Vít định vị giảm rung xóc
 (54) Lỗ để gắn gá kẹp nhanh
 (55) Bu-long tai chuẩn
 (56) Thanh ren
 (57) Vạch chỉ độ góc cho góc vát (ngang)
 (58) Công tắc Tắt/Mở
 (59) Công tắc tắt/bật cho Laser (Đánh dấu vạch chia đoạn)
 (60) Vít bắt thanh chèn
 (61) Vít kẹp cửa thanh chặn vật liệu^{A)}
 (62) Vít cho chụp bảo vệ laser
 (63) Vít điều chỉnh vị trí laser (lấy chuẩn mặt phẳng ngang tổng thể)
 (64) Vít cố định đĩa lắp laser
 (65) Vít cố định phần chứa laser
 (66) / Vít định vị để thiết lập cơ bản 0° (góc xiên
 (67) / đứng)
 (68)
 (69) Vít định vị để thiết lập cơ bản 45° (góc xiên
 đứng trái)
 (70) Vít định vị để thiết lập cơ bản 45° (góc xiên
 đứng phải)
 (71) Vít định vị của thước chia độ cho các góc
 vát
 (72) Vít bắt vạch chỉ độ góc (ngang)
 (73) Vít định vị lục kẹp của tay kẹp cho góc xiên
 bất kỳ (đứng)
 (74) Dải khóa dán dính
- A) Phụ tùng được trình bày hay mô tả không phải là một phần của tiêu chuẩn hàng hóa được giao kèm theo sản phẩm. Bạn có thể tham khảo tổng thể các loại phụ tùng, phụ kiện trong chương trình phụ tùng của chúng tôi.

Thông số kỹ thuật

Máy Cưa Vát Trượt	GCM 12 GDL	GCM 12 GDL
Mã số máy	3 601 M23 641	3 601 M23 6B1
	3 601 M23 6L1	3 601 M23 681
		3 601 M23 6K1

Máy Cưa Vát Trượt		GCM 12 GDL	GCM 12 GDL
Công suất vào danh định	W	2000	1800
Điện thế danh định	V	230-240	220-230
Chu kỳ	Hz	50	50/60
Tốc độ không tải	min ⁻¹	4000	4000
Làm giảm cường độ dòng điện khi khởi động		●	●
Loại Laser	nm	650	650
	mW	< 1	< 1
Cấp độ Laser		1	1
Trọng lượng theo Qui trình EPTA-Procedure 01:2014	kg	32,1	32,1
Cấp độ bảo vệ		□/II	□/II
Kích thước lưỡi cưa phù hợp			
Đường kính lưỡi cưa	mm	305	305
Độ dày lưỡi	mm	1,7-2,6	1,7-2,6
Chiều rộng vết cắt tối đa	mm	3,2	3,2
Lỗ lắp lưỡi cắt	mm	25,4	25,4

Kích thước phối cho phép (xem „Kích Thước Vật gia Công Cho Phép“, Trang 109)

Sự lắp vào

- **Phòng ngừa máy khởi động bất ngờ. Trong khi lắp ráp hay có việc làm gì trên máy, phích cắm điện phải được rút ra khỏi nguồn cấp điện.**

Các món được giao



Vui lòng tham khảo hình minh họa phạm vi giao hàng ở đầu hướng dẫn vận hành.

Trước khi vận hành lần đầu, hãy kiểm tra dụng cụ điện xem tất cả các bộ phận theo thiết kế có được cung cấp đầy đủ không:

- Cưa tẩm với lưỡi cưa được lắp (39)
- Núm khóa (11)
- Chia vận lục giác (16)
- Chia vận lục giác (17)
- Gá kẹp nhanh (18)

Lưu ý: Hãy kiểm tra dụng cụ điện xem có hư hỏng nào không.

Trước khi tiến hành sử dụng máy, kiểm tra cẩn thận xem tất cả các chi tiết dùng bảo vệ hay các bộ phận bị hư hỏng nhẹ có hoạt động tốt và theo đúng quy định không. Tất cả các hư hỏng nhẹ phải được kiểm tra cẩn thận để bảo đảm sự hoạt động của dụng cụ được hoàn hảo. Tất cả các bộ phận phải được lắp ráp đúng cách và tất cả các điều kiện cần có phải được đáp ứng đúng và đủ để bảo đảm sự hoạt động được hoàn hảo.

Các chi tiết bảo vệ và các bộ phận hư hỏng phải được thay ngay thông qua một trung tâm bảo hành-bảo trì được ủy nhiệm.

Các dụng cụ phụ trợ cần thiết (không nằm trong phạm vi giao kèm):

- Chia vận vít bốn cạnh
- Chia vận điều cỡ (Cỡ: 8 mm)
- Chia vận ống lồng, chia vận điều cỡ hoặc chia vận ống 10 mm và 17 mm)

Lắp Ráp Các Thành Phần Chi Tiết

- Lấy tất cả các bộ phận được giao kèm theo máy ra khỏi bao bì một cách cẩn thận.
- Lấy tất cả các gói tài liệu hướng dẫn và các phụ kiện giao kèm ra khỏi máy.

Lắp núm khóa (xem hình a)

- Vận núm khóa (11) vào trong lỗ khoan tương ứng bên trên cần (12).

- **Luôn vận núm khóa thật chặt (11) trước khi cưa.** Nếu không, lưỡi cưa có thể bị kẹp chặt trong vật gia công.

Lắp bắt cố định hay linh hoạt

- **Để bảo đảm sự điều khiển được an toàn, máy phải được lắp bắt lên trên một bề mặt phẳng và vững chãi (vd. bàn thợ) trước khi sử dụng.**

Lắp ráp trên bề mặt gia công (xem Hình b1)

- Bắt chắc dụng cụ điện bằng loại vít lắp bắt thích hợp lên trên bề mặt gia công. Các lỗ khoan dùng cho mục đích này (8).

hoặc

- Kẹp dụng cụ điện bằng loại hàm kẹp có trên thị trường, và kẹp các chân máy vào bề mặt gia công.

Lắp ráp trên bàn làm việc Bosch

(Xem Hình b2)

(GTA 2500 W, GTA 3700, GTA 3800)

Với các chân có thể điều chỉnh được chiều cao, giá của GTA Bosch tạo được sự vững chắc cho dụng cụ điện khi đặt trên bất kỳ bề mặt nào. Chi tiết gia công hỗ trợ của giá của được sử dụng để làm nền đỡ cho vật gia công dài.

- ▶ **Hãy đọc mọi cảnh báo và hướng dẫn đính kèm giá của.** Không tuân thủ các cảnh báo an toàn và hướng dẫn có thể dẫn đến việc bị điện giật, cháy và/hoặc gây ra thương tích nghiêm trọng.
- ▶ **Lắp ráp giá của đúng cách trước khi gắn dụng cụ điện.** Sự lắp ráp hoàn hảo là quan trọng để ngăn ngừa nguy cơ bị sập.
- Gắn lắp dụng cụ điện lên giá của ở tư thế vận chuyển.

Hút Dặm/Bụi

Mạt bụi từ các vật liệu được sơn phủ ngoài có chứa chì trên một số loại gỗ, khoáng vật và kim loại có thể gây nguy hại đến sức khỏe con người. Đụng chạm hay hít thở các bụi này có thể làm người sử dụng hay đứng gần bị dị ứng và/hoặc gây nhiễm trùng hệ hô hấp.

Một số hạt bụi cụ thể, ví dụ như bụi gỗ sồi hay dẫu, được xem là chất gây ung thư, đặc biệt là có liên quan đến các chất phụ gia dùng xử lý gỗ (chất cromat, chất bảo quản gỗ). Có thể chỉ nên để thợ chuyên môn gia công các loại vật liệu có chứa amiăng.

- Cách xa ở mức có thể được, sử dụng hệ thống hút thích hợp cho loại vật liệu.
- Tạo không khí thông thoáng nơi làm việc.
- Khuyến nghị nên mang mặt nạ phòng độc có bộ lọc cấp P2.

Tuân thủ các qui định của quốc gia bạn liên quan đến loại vật liệu gia công.

▶ **Tránh không để rác tích tụ tại nơi làm việc.**

Rác có thể dễ dàng bắt lửa.

Sự hút bụi/dặm có thể bị bụi, dăm hay các mảnh nhỏ của vật gia công làm cho tắc nghẽn lại.

- Tắt máy và kéo phích cắm điện nguồn ra khỏi ổ cắm.
- Hãy chờ cho đến khi lưới cửa dừng hẳn.
- Xác định nguyên nhân làm tắc nghẽn và chỉnh sửa lại.

Máy Hút Bụi Ngoài

Trên đầu nối hút (23) bạn cũng có thể lắp một vòi hút bụi (Ø 35 mm) để hút.

- Gắn ống hút bụi với đầu nối hút (23).

Máy hút bụi phải thích hợp dành cho loại vật liệu đang gia công.

Khí hút bụi khô loại đặc biệt gây nguy hại đến sức khỏe hoặc gây ra ung thư, hãy sử dụng máy hút bụi loại chuyên dụng.

Làm Sạch Cút nối ống hút

Để đảm bảo sự hút được tốt nhất, Cút nối ống hút (23) phải được làm sạch thường xuyên.

- Kéo cút nối ống hút (23) ra khỏi phần tổng mặt của (22) bằng động tác xoay.
- Tháo gỡ các mảnh vụn và dăm của vật gia công.
- Gắn Cút nối ống hút lên trên bộ phận tổng mặt của như trước bằng động tác xoay cho đến khi khớp vào lên trên vòng giữ bộ phận tổng mặt của.

Thay lưới cửa (xem Hình c1–c4)

- ▶ **Trước khi tiến hành bất cứ việc gì trên máy, kéo phích cắm điện nguồn ra.**
- ▶ **Khi lắp ráp lưới cửa, hãy mang găng tay bảo hộ vào.** Nếu chạm vào lưới cửa sẽ có nguy cơ bị thương.

Chỉ sử dụng lưới cửa có tốc độ tối đa cho phép cao hơn tốc độ không tải của dụng cụ điện.

Chỉ sử dụng lưới cửa phù hợp với các đặc tính kỹ thuật được ghi rõ trong các hướng dẫn sử dụng và đã được thử nghiệm, và được đánh dấu đáp ứng tiêu chuẩn EN 847-1.

Chỉ sử dụng lưới cửa do nhà sản xuất máy khuyến nghị, và thích hợp để cửa loại vật liệu được gia công cắt. Điều này giúp tránh được quá nhiệt răng cửa khi cửa.

Tháo Lưới Cửa

- Đặt máy ở vào tư thế hoạt động.
- Vặn vít khóa (41) bằng tay cho đến khi cầu thanh (42) có thể treo tự do.
- Nới lỏng vít cố định (43) (khoảng 2 vòng) bằng chia vận lục giác (mm) (16). Không được tháo vít ra hoàn toàn.
- Nới lỏng vít cố định (44) (khoảng 6 vòng) bằng chia vận lục giác (mm) (16). Không được tháo vít ra hoàn toàn.
- Kéo nắp chụp (45) ra khỏi vít bắt cố định (44) hướng xuống dưới về phía trước.
- Xoay chắn đàn hồi bảo vệ lưới (4) ra phía sau và giữ nó ở vị trí này.
- Treo cầu thanh (42) bên trên vít bắt cố định thông qua lỗ bắt bu-loong (44). Cách này giữ cho chắn đàn hồi bảo vệ lưới nằm ở vị trí mở.
- Vặn vít đầu có lỗ sáu cạnh (47) bằng cơ lê lỗ sáu cạnh (mm) (16) và đồng thời nhấn khóa hãm trục (46), cho đến khi vào khớp.

- Bấm giữ khóa hãm trục (46) và xoay vít lục giác (47) theo chiều kim đồng hồ (ren trái!).
- Tháo bích kẹp (48).
- Tháo lưỡi cưa (39).

Lắp Lưỡi Cưa

► **Khi lắp lưỡi cưa, hãy lưu ý rằng chiều cắt của răng (chiều của mũi tên trên lưỡi cưa) cùng chiều với chiều mũi tên trên chân bảo vệ!**

Nếu thấy cần, làm sạch tất cả các bộ phận sắp lắp vào trước khi ráp.

- Lắp đĩa cưa mới lên trên bích kẹp trong (49).
- Đặt bích kẹp (48) và vít lục giác (47) lên. Bấm khóa hãm trục (46) cho đến khi vào khớp và vặn chặt vít sáu cạnh ngược chiều kim đồng hồ.
- Nới lỏng cầu thanh (42) của vít cố định (44) và kéo chắn đàn hồi bảo vệ lưỡi (4) xuống như trước.
- Đẩy nắp chụp (45) xuống bên dưới vít bắt cố định lại như trước (44).
- Siết chặt vít bắt cố định (44) và (43) lại lần nữa.
- Đẩy cầu thanh (42) lên vị trí ban đầu của nó và siết chặt lại vít khóa (41) bằng tay thêm lần nữa.

Vận Hành

► **Trước khi tiến hành bất cứ việc gì trên máy, kéo phích cắm điện nguồn ra.**

Khóa an toàn dùng khi di chuyển (xem Hình A)

Khóa an toàn dùng khi di chuyển (30) cho phép xử lý dụng cụ điện dễ dàng hơn khi di chuyển máy đến các địa điểm làm việc khác nhau.

Tháo Khóa Máy (Vị Trí Hoạt Động)

- Đẩy nhẹ cần trượt (27) xuống bằng tay nắm (1) để nhả khóa an toàn dùng khi di chuyển (30).
- Kéo khóa an toàn dùng khi di chuyển (30) rời hẳn ra ngoài.
- Đẩy từ cần trượt (27) hướng lên trên.

Bảo Vệ An Toàn Máy (Vị Trí Di Chuyển)

- Đẩy cần trượt (27) hoàn toàn ra phía sau và cố định nó ở vị trí này.
- Đẩy cần trượt hướng xuống cho đến khi khóa an toàn dùng khi di chuyển (30) có thể đẩy hết vào bên trong.

Hướng dẫn chi tiết: (xem „Vận chuyển (xem Hình Z)“, Trang 112)

Khi cưa góc vát ngang và/hoặc góc xiên đứng, bạn phải kéo hoặc rút hẳn chắn điều chỉnh được bên trái hoặc phải (5) ra ngoài.

Góc xiên nằm Góc vát ngang đứng

0°–47°
(trái)

≤ 44°
(phải/trái)

– Nới lỏng vít khóa (51).

Khóa Cần Trượt

Có thể khóa cơ chế trượt của cần trượt (27) nhờ sự hỗ trợ của cần kẹp (24). Cần trượt có thể nằm ở hai vị trí:

- Cần trượt được đẩy hoàn toàn về phía sau (để cắt đứt đoạn)
- Cần trượt được kéo hoàn toàn về phía trước (để vận chuyển được gọn gàng)

Nhả khóa cần trượt (xem hình B1)

Sau khi nhả khóa cần trượt (27), toàn bộ cơ cấu trượt đã sẵn sàng hoạt động.

- Nhấn cần khóa (24) xuống đến hết cỡ chặn.
- Ném kẹp của cần khóa nhả cả hai khớp nối đáy của cần trượt ra.

Cố định cần trượt (xem hình B2)

Cần trượt được đẩy hoàn toàn về phía sau:

- Đẩy cần trượt (27) về phía sau cho đến cỡ chặn.
- Hai khớp nối trên của cần trượt hiện tại đang ở vị trí thẳng đứng và đóng lại.
- Kéo cần khóa (24) lên trên cho đến khi ném kẹp được đặt ở vị trí giữa hai khớp nối đáy của cần trượt.
- Cách này khóa hoàn toàn không cho cần trượt (27) đẩy lùi ra sau.

Cần trượt được kéo hoàn toàn về phía trước:

- Kéo cần trượt (27) hết ra phía trước đến cỡ chặn.
- Cơ cấu trượt ở thời điểm này được mở rộng ra hoàn toàn.
- Kéo cần khóa (24) lên trên cho đến khi ném kẹp được đặt ở vị trí giữa hai khớp nối đáy của cần trượt.
- Cách này khóa hoàn toàn không cho cần trượt (27) kéo tới trước.

Chuẩn Bị cho sự Hoạt Động

Mở rộng bàn cưa (xem hình C)

Vật gia công dài phải được đệm lót hay kê đỡ phần đầu còn trống.

Bàn cưa có thể mở rộng (7) sang bên phải hoặc trái bằng bàn cưa mở rộng.

- Gập cần kẹp (50) cố định vào trong.
- Kéo bàn cưa mở rộng (7) ra ngoài cho đến khi đạt độ dài mong muốn (tối đa 250 mm).
- Để khóa bàn cưa mở rộng, đẩy cần kẹp cố định (50) ra ngoài như trước.

Di chuyển chắn (xem Hình D–E)

Góc xiên nằm Góc vát ngang đứng

		– Kéo chắn điều chỉnh được bên trái (5) ra ngoài hoàn toàn.
0°–47° (trái)	≥ 45° (phải/trái)	– Nới lỏng vít khóa (51). – Kéo chắn điều chỉnh được bên trái (5) ra ngoài hoàn toàn. – Tháo chắn điều chỉnh được hướng lên trên. – Tháo vít khóa (51).
0°–47° (phải)	≤ 44° (phải/trái)	– Nới lỏng vít khóa (51). – Kéo chắn điều chỉnh được ở bên phải (5) ra ngoài hoàn toàn.
0°–47° (phải)	≥ 45° (phải/trái)	– Tháo chắn điều chỉnh được hướng lên trên.

Điều chỉnh chống rung của cần trượt (xem Hình F)

Cơ cấu trượt của cần trượt đã được (27) thiết lập sẵn tại nhà máy, và không được chống rung khi giao dụng cụ điện.

Bạn có thể điều chỉnh chức năng chống rung của cơ cấu trượt riêng bằng đệm giảm chấn (52):
cứng – chuyển động vận hành có kiểm soát;
mềm – cửa nhanh.

- Nới lỏng cả hai vít định vị (53) bằng chìa vặn lục giác (mm) (16) đối với chống rung **mềm hơn**
- hoặc
- siết chặt cả hai vít định vị (53) đối với chống rung **cứng hơn**.

Cố định vật gia công (xem Hình G)

Để đảm bảo an toàn lao động tốt nhất, vật gia công phải luôn luôn được kẹp chặt.

Nếu không, khoảng cách từ tay của bạn đến lưỡi cửa đang quay là quá nhỏ.

- Đẩy thật sát vật gia công vào thước dẫn hướng (6) và (5).
- Lắp gá kẹp nhanh được giao kèm máy (18) vào một trong các lỗ khoan được thiết kế cho nó (54).
- Nới lỏng vít tai hồng và lắp bắt gá kẹp nhanh vào vật gia công. Siết chặt vít tai hồng lại như cũ.
- Siết thanh ren (56) thật chặt để cố định vật gia công.

Giải Phóng Vật Gia Công

- Để nhả gá kẹp nhanh hãy xoay thanh ren (56) ngược chiều kim đồng hồ.

Điều Chỉnh Góc Xiên dọc và ngang

- ▶ **Trước khi tiến hành bất cứ việc gì trên máy, kéo phích cắm điện nguồn ra.**

Để bảo đảm đường cắt chính xác, sự điều chỉnh cơ bản của máy phải được kiểm tra và điều chỉnh lại như là việc cần thiết sau khi hoạt động cao độ.

Việc này đòi hỏi phải có một mức độ kinh nghiệm nhất định và các dụng cụ chuyên môn thích hợp.

Trạm phục vụ hàng sau khi bán của Bosch sẽ xử lý việc bảo trì này một cách nhanh chóng và đáng tin cậy.

- ▶ **Luôn vặn nùm khóa thật chặt (11) trước khi cửa.** Nếu không, lưỡi cửa có thể bị kẹp chặt trong vật gia công.

Điều Chỉnh Góc Vát Ngang**Điều chỉnh góc vát ngang tiêu chuẩn (xem hình H)**

Mẫu khóa trên bàn cửa được thiết kế để điều chỉnh nhanh và chính xác các góc vát ngang thường được sử dụng (14):

Trái	bên phải
0°	
45°; 31,6°; 22,5°; 15°	15°; 22,5°; 31,6°; 45°; 60°

- Nới lỏng nùm khóa (11) trong trường hợp đã được siết chặt.
- Kéo cần (12) và xoay bàn cửa (37) về bên phải hay trái mẫu khóa theo yêu cầu.
- Thả cần ra lại. Cần phải ăn khớp với mẫu khóa.
- Siết chặt nùm khóa (11) lại như trước.

Điều chỉnh góc vát ngang bất kỳ (xem hình I)

Có thể điều chỉnh góc vát ngang trong phạm vi từ 52° (bên trái) đến 60° (bên phải).

- Nới lỏng nùm khóa (11) trong trường hợp đã được siết chặt.
- Kéo cần (12) và đồng thời ấn khóa khung (10) cho đến khi nó khóa vào khác. Nhờ đó, bàn cửa sẽ chuyển động linh hoạt.
- Xoay bàn cửa (37) qua trái hay phải bằng nùm khóa cho đến khi phân chỉ báo góc (57) chỉ rõ góc vát ngang yêu cầu.
- Siết chặt nùm khóa (11) lại như trước.
- Để nới lỏng cần (12) lại như trước (để điều chỉnh góc vát ngang tiêu chuẩn), hãy kéo cần lên. Khóa khung (10) này trở về vị trí ban đầu và cần (12) có thể khóa vào mẫu khớp (14).

Điều Chỉnh Góc Xiên Nằm Thẳng Đứng

Góc xiên đứng có thể được điều chỉnh trong khoảng từ 47° (bên trái) đến 47° (bên phải).

Để điều chỉnh nhanh và chính xác các góc xiên đứng thường xuyên được sử dụng, các cỡ chặn góc được thiết kế ở các mức 0°, 22,5° và 45° và 47°.

Điều chỉnh tâm giới hạn góc xiên đứng (45° đến 0°)

L

- Kéo chặn điều chỉnh được bên trái (5) ra ngoài hoàn toàn.
- Nới lỏng cần khóa (13).
- Xoay cần trượt (27) bằng tay nắm (1) sang trái cho đến khi chỉ báo góc (32) hiển thị góc xiên đứng mong muốn.
- Giữ cần trượt (27) ở nguyên vị trí này và siết chặt cần khóa (13) lại như trước.
Lực kẹp giữ của cần khóa phải cố định vững chắc vị trí của cần trượt tại bất cứ góc xiên nào.

Điều chỉnh tâm giới hạn góc xiên đứng bên phải (0° đến 45°) (xem Hình J)

45° R

- Kéo chặn điều chỉnh được ở bên phải (5) ra ngoài hoàn toàn.
- Nới lỏng cần khóa (13).
- Nghiêng nhẹ cần trượt (27) bằng tay nắm (1) từ vị trí 0° sang trái và vặn núm xoay (38) cho đến khi tâm giới hạn góc xiên đứng mong muốn được hiển thị.
- Xoay cần trượt (27) bằng tay nắm (1) sang phải cho đến khi chỉ báo góc (20) chỉ rõ góc vít mong muốn.
- Giữ cần trượt (27) ở nguyên vị trí này và siết chặt cần khóa (13) lại như trước.
Lực kẹp giữ của cần khóa phải cố định vững chắc vị trí của cần trượt tại bất cứ góc xiên nào.

Điều chỉnh góc xiên đứng tiêu chuẩn 0°

Để có thể điều chỉnh nhẹ góc xiên đứng tiêu chuẩn 0° một lần nữa, núm xoay (38) khớp vào tâm giới hạn góc xiên đứng bên trái.

- Xoay cần trượt (27) từ phải qua vị trí 0°.

Điều chỉnh toàn bộ tâm giới hạn góc xiên đứng (-47° đến +47°)

47°

- Kéo cả hai thanh chặn điều chỉnh được (5) ra ngoài hoàn toàn.
- Nới lỏng cần khóa (13).
- Nghiêng nhẹ cần trượt (27) bằng tay nắm (1) từ vị trí 0° sang trái và vặn núm xoay (38) cho đến khi tâm giới hạn góc xiên đứng mong muốn được hiển thị.

- Kéo nghiêng cần trượt (27) bằng tay nắm (1) sang trái hay phải cho đến khi phần chỉ báo góc (32) hay (20) chỉ rõ góc vít mong muốn.
- Giữ cần trượt (27) ở nguyên vị trí này và siết chặt cần khóa (13) lại như trước.
Lực kẹp giữ của cần khóa phải cố định vững chắc vị trí của cần trượt tại bất cứ góc xiên nào.

Điều chỉnh góc xiên đứng tiêu chuẩn 22,5° (xem hình K)

Kéo núm điều chỉnh (33) ra ngoài hoàn toàn và xoay nó một góc 90°. Sau đó xoay cần trượt (27) bằng tay nắm (1) cho đến khi nghe thấy tiếng cần trượt khóa vào khớp.

Bắt Đầu Vận Hành

- ▶ **Hãy cẩn thận với nguồn điện! Điện thế nguồn phải đúng với điện thế đã ghi rõ trên nhãn máy. Dụng cụ điện được ghi 230 V cũng có thể được vận hành ở 220 V.**

Bật (xem Hình L)

- Để **bật** dụng cụ điện, **trước tiên** đẩy khóa an toàn (2) về giữa, **tiếp theo** bấm công tắc Tắt/Mở (58) và ấn giữ.

Lưu ý: Vì lý do an toàn, không thể mở khóa công tắc Tắt/Mở (58), mà phải luôn bấm giữ trong khi vận hành dụng cụ.

Đề tắt máy

- Để **Tắt máy** thả công tắc Tắt/Mở (58) ra.

Làm giảm cường độ dòng điện khi khởi động

Thiết bị điện tử làm giảm cường độ dòng điện khởi động hạn chế năng lượng điện tiêu thụ khi bật công tắc máy lên và cho phép hoạt động với cầu chì 16 ampere.

Lưu ý: Nếu dụng cụ điện chạy với tốc độ tối đa ngay sau khi bật, giới hạn dòng điện khởi động và khóa chống khởi động lại không hoạt động. Dụng cụ điện phải được gửi ngay đến bộ phận dịch vụ khách hàng.

Hướng Dẫn Sử Dụng

Các Hướng Dẫn Cửa Tổng Quát

- ▶ **Luôn siết thật chặt núm khóa (11) và cần khóa (13) trước khi cưa.** Nếu không, lưỡi cưa có thể bị kẹp chặt trong vật gia công.
- ▶ **Trong mọi kiểu cắt, trước tiên phải bảo đảm rằng lưỡi cưa trong bất cứ trường hợp nào cũng không thể chạm vào thanh chắn, vít ngang khóa hay các bộ phận máy khác. Tháo cỡ chặn phụ có thể đã được gắn vào hay điều chỉnh chúng cho thích ứng.**

Bảo vệ lưỡi cưa tránh bị va đập hay chạm mạnh. Không để lưỡi cưa phải chịu lực áp hông.

Không được cưa vật gia công bị cong hay bị oằn. Vật gia công phải luôn luôn có cạnh thẳng và áp sát vào thanh chắn.

Các chi tiết gia công dài và/hay nặng phải được kê đỡ ở phần đầu trống.

Đảm bảo chắn đàn hồi bảo vệ lưỡi hoạt động đúng quy định và có thể di chuyển linh hoạt. Khi kéo tay máy xuống, chắn đàn hồi bảo vệ lưỡi phải mở. Khi kéo tay máy lên, chắn đàn hồi bảo vệ lưỡi phải đóng lại trên lưỡi cửa và khóa vào vị trí trên cùng của tay máy.

Chỉ cửa các vật liệu đã được phê duyệt để sử dụng đúng cách.

Đánh dấu đường cắt (xem hình M)

Hai vạch laser sẽ chỉ rõ cho bạn chiều rộng vết cắt của lưỡi cửa. Điều này cho phép đặt vật gia công ở vị trí chính xác để cửa mà không phải mở chắn đàn hồi bảo vệ lưỡi.

- Mở luồng laser lên bằng công tắc (59).
- Chính thẳng hàng vị trí đánh dấu của bạn trên vật gia công giữa cả hai đường laser.

Lưu ý: Kiểm tra trước khi cửa xem chiều rộng vết cắt có được chỉ chính xác không. Luồng laser, theo như ví dụ, có thể bị lệch qua sự rung xóc khi sử dụng cao độ.

Kích Thước Vật gia Công Cho Phép

Vật gia công **Tối đa**:

Góc vát ngang	Góc xiên nằm đứng	Chiều cao x Chiều rộng [mm]	
		Vật gia công trên thanh chắn	Vật gia công ở miếng đệm (cũ chặn)
0°	0°	104 x 341	110 x 240
45°	0°	104 x 240	110 x 110
0°	45° (trái)	51 x 341	51 x 295
0°	45° (phải)	38 x 341	38 x 295
45°	45° (trái)	51 x 240	51 x 200
45°	45° (phải)	38 x 240	38 x 200

Vật gia công **Tối thiểu** (= tất cả các vật gia công có giá kẹp nhanh (18) được giao cùng máy có thể được căng ở cả hai bên trái và phải lưỡi cửa): 160 x 335 mm (Dài x Rộng)

Cỡ sâu cắt tối đa (0°/0°): 104 mm

Cửa

► **Luôn siết thật chặt núm khóa (11) và cần khóa (13) trước khi cửa.** Nếu không, lưỡi cửa có thể bị kẹp chặt trong vật gia công.

Cửa không chuyển động trượt (cắt đứt đoạn) (xem Hình P)

- Đẩy cần trượt (27) hoàn toàn ra phía sau và cố định nó ở vị trí này.
Hãy đảm bảo rằng cỡ định độ sâu (29) được ấn hoàn toàn vào trong và vít điều chỉnh (28) đi qua rãnh trong khi di chuyển tay máy mà không chạm vào cỡ định độ sâu.
- Kẹp vật gia công thật chặt phù hợp với kích thước của nó.

Tư thế của người thao tác (xem hình N)

► **Không được đứng thẳng hàng với lưỡi cửa ở đằng trước máy. Luôn luôn đứng qua một bên lưỡi cửa.** Điều này phòng tránh cho thân thể bạn gặp khả năng bị đội ngược.

- Để tay, ngón tay và cánh tay tránh khỏi lưỡi cửa đang quay.
- Không được đứng trước cần trượt với cánh tay của bạn để ngang qua (27).

Thay thanh chèn (xem hình O)

Thanh chèn đỏ (9) có thể bị mòn sau thời gian dài sử dụng máy.

Thay thanh chèn bị hỏng.

- Đặt máy ở vào tư thế hoạt động.
- Tháo vít (60) bằng chia vặn lục giác (4 mm) (16) và nhấc thanh chèn cũ ra.
- Lắp thanh chèn cánh phải mới.
- Vặn thanh chèn cùng với đinh vít (60) sang phải càng xa càng tốt, sao cho lưỡi cửa không thể chạm vào thanh chèn trên toàn bộ chiều dài quãng di chuyển có thể.
- Lập lại các bước thao tác giống như vậy cho thanh chèn cánh trái.

- Điều chỉnh góc vát (ngang và/hoặc đứng) mong muốn nếu cần.
- Bật công tắc cho máy hoạt động.
- Đẩy từ từ cần trượt (27) bằng tay nắm (1) xuống.
- Cắt xuyên qua vật gia công với lực áp lên máy đồng đều.
- Tắt máy và đợi cho đến khi lưỡi cửa đã ngừng quay hoàn toàn.
- Đẩy từ từ cần trượt (27) hướng lên trên.

Cửa với chuyển động trượt (xem hình Q)

► **Trước khi mở máy và trong suốt thời gian cửa đến khi hoàn tất, giữ chắc tay nắm. Trong khi cửa, thực hiện việc kiểm soát sự chuyển động bằng cần trượt. Một giây phút**

thiếu tập trung trong khi vận hành, cần trượt hoạt động cực kỳ nhanh nhạy có thể gây thương tích nghiêm trọng cho bản thân.

- Nhả khóa cần trượt (27). Kiểm tra bằng cách kéo đẩy cần trượt (27) xem toàn bộ cơ cấu trượt có thể sử dụng được không.
- Kẹp vật gia công thật chặt phù hợp với kích thước của nó.
- Điều chỉnh góc vát (ngang và/hoặc đứng) mong muốn nếu cần.
- Kéo cần trượt (27) bằng tay nắm (1) cách xa thanh chắn (6) sao cho lưỡi cưa nằm trước vật gia công.
- Bật công tắc cho máy hoạt động.
- Đẩy từ từ cần trượt (27) bằng tay nắm (1) xuống.
- Bây giờ, đẩy cần dụng cụ (27) hướng tới thanh chắn (6) và cưa ngang vật gia công với lực gia tải đồng đều.
- Tắt máy và đợi cho đến khi lưỡi cưa đã ngừng quay hoàn toàn.
- Đẩy từ từ cần trượt (27) hướng lên trên.

Cưa chi tiết gia công có cùng chiều dài (xem Hình R)

Để dễ dàng cưa được các chi tiết gia công có cùng chiều dài, bạn có thể sử dụng thanh chặn vật liệu (35) (phụ kiện).

Thanh chặn vật liệu có thể gắn vào một trong hai bên của bàn cưa mở rộng (7).

- Nới lỏng vít khóa (34) và đưa thanh chặn vật liệu (35) lên trên vít kẹp cố định (61).
- Siết chặt vít khóa lại (34).
- Điều chỉnh bàn cưa mở rộng (7) đến chiều dài mong muốn.

Điều chỉnh cỡ định độ sâu (Cưa rãnh) (xem hình S)

Phải điều chỉnh cỡ định độ sâu khi cưa rãnh hay dùng miếng đệm.

- Xoay cỡ định độ sâu (29) hướng ra ngoài.
- Xoay cỡ định độ sâu (27) bằng tay nắm (1) vào vị trí mong muốn.
- Vận vít điều chỉnh (28) cho đến khi mũi vít chạm vào cỡ định độ sâu (29).
- Đẩy từ từ cần trượt (27) hướng lên trên.

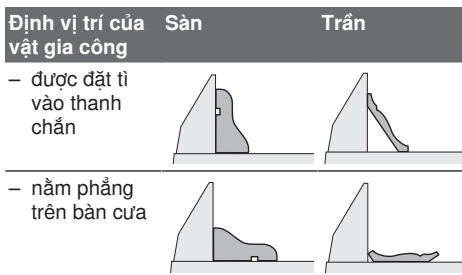
Vật Gia Công Đặc Biệt

Khi cưa vật gia công có đường cong hay tròn, những vật này đặc biệt cần phải được giữ cho chắc chắn, tránh không để bị tuột. Tại đường cắt, không được có khe hở nào giữa vật gia công, thanh chắn và bàn cưa.

Nếu cần, gia cố thêm sự cố định một cách đặc biệt.

Xử lý dải biên dạng

Chỉ gia công chỉ trang trí định hình theo hai cách khác nhau:



Thêm vào đó, sự cắt có thể được thực hiện bằng chuyển động trượt hay không còn tùy thuộc vào bề dày của chỉ trang trí định hình/gờ đúc.

Trước tiên, luôn thử góc vát đã điều chỉnh (ngang và/hoặc đứng) bằng một mẫu gỗ bỏ đi.

Kiểm tra và điều chỉnh các thiết lập cơ bản

Để bảo đảm đường cắt chính xác, sự điều chỉnh cơ bản của máy phải được kiểm tra và điều chỉnh lại như là việc cần thiết sau khi hoạt động cao độ.

Việc này đòi hỏi phải có một mức độ kinh nghiệm nhất định và các dụng cụ chuyên môn thích hợp.

Trạm phục vụ hàng sau khi bán của Bosch sẽ xử lý việc bảo trì này một cách nhanh chóng và đáng tin cậy.

Điều chỉnh laser

Lưu ý: Để kiểm tra chức năng laser, máy phải được nối với nguồn điện.

► Trong khi điều chỉnh laser (vd. khi dịch chuyển tay máy), không bao giờ được kích hoạt công tắc Tắt/Mở. Sự vô tình khởi động dụng cụ điện có thể dẫn đến việc gây thương tích.

- Đặt máy ở vào tư thế hoạt động.
- Xoay bàn cưa (37) đến mấu khóa (14) để đạt 0°. Cẩn (12) phải ăn khớp vào mấu khóa.

Kiểm tra (xem hình T1)

- Vạch một đường cắt thẳng trên vật gia công.
- Đẩy từ từ cần trượt (27) bằng tay nắm (1) xuống.
- So thẳng vật gia công cách sao cho rãnh của lưỡi cưa cùng nằm thẳng hàng với đường cắt.
- Giữ vật gia công ở vị trí này và từ từ đưa cần trượt hướng lên trên.
- Kẹp chặt chi tiết gia công.
- Bật lưỡng laser lên bằng công tắc (59).

Lưỡng laser phải có khoảng hở đồng bộ như nhau trên toàn chiều dài của vật gia công có vạch đường cắt, ngay cả khi hạ thấp cần trượt xuống.

Tháo chụp bảo vệ laser (xem hình T2)

- Nới lỏng hai vít (62) của chụp bảo vệ laser (26) bằng chia vận lục giác (4 mm) (16).

Lưu ý: Để với tới vít của chụp bảo vệ laser, bạn phải xoay cần trượt một chút xuống cho đến khi

chìa vặn lục giác có thể cắm vào qua một trong các khe của chân đàn hồi bảo vệ lưỡi cưa.

Điều chỉnh mực chuẩn mặt phẳng ngang tổng thể (xem hình T3)

– Tháo nắp chụp bảo vệ laser (26).

1. Điều chỉnh tia laser bên phải:

- Xoay vít định vị phía sau (63) bằng chìa vặn lục giác (17) cho đến khi tia laser bên phải nằm ngang bằng với đường cắt đã đánh dấu trên vật gia công suốt toàn bộ chiều dài. Khi ấy, tia laser bên trái sẽ di chuyển cùng.

Một vòng quay ngược chiều kim đồng hồ chuyển luồng laser từ trái sang phải; một vòng quay theo chiều kim đồng hồ chuyển luồng laser từ phải sang trái.

2. Điều chỉnh tia laser trái:

- Xoay vít định vị trước (63) bằng chìa vặn lục giác (17) cho đến khi tia laser trái cách đường cắt đã đánh dấu trên vật gia công một khoảng bằng tia laser phải.

Một vòng quay ngược chiều kim đồng hồ chuyển luồng laser từ trái sang phải; một vòng quay theo chiều kim đồng hồ chuyển luồng laser từ phải sang trái.

- Lắp lại chụp bảo vệ laser (26) như trước.

Điều chỉnh sự song song (xem hình T4)

- Tháo nắp chụp bảo vệ laser (26).
- Nới lỏng vít cố định (64) (khoảng 1–2 vòng) bằng chìa vặn lục giác (17). Không được tháo vít ra hoàn toàn.
- Di chuyển đĩa lắp laser sang phải hay trái cho đến khi luồng laser song song với đường cắt được vạch trên toàn bộ chiều dài của vật gia công.
- Giữ đĩa lắp laser ở nguyên vị trí này và siết chặt vít cố định (64) lại như trước.
- Sau khi điều chỉnh, kiểm tra sự đồng chỉnh mặt phẳng ngang tổng thể với đường cắt một lần nữa. Nếu cần thiết, đồng chỉnh luồng laser bằng vít cố định (63) lại một lần nữa.
- Lắp lại chụp laser (26) như trước.

Điều chỉnh sự lệch qua một bên khi di chuyển cần trượt (xem hình T5)

- Tháo nắp chụp bảo vệ laser (26).
- Nới lỏng cả hai vít cố định (65) (khoảng 1–2 vòng) bằng chìa vặn lục giác (17). Không được tháo ra hoàn toàn.
- Chuyển dịch phần chứa laser sang phải hay trái cho đến khi luồng laser không còn lệch sang một bên khi di chuyển cần trượt xuống.
- Sau khi điều chỉnh, kiểm tra sự đồng chỉnh mặt phẳng ngang tổng thể với đường cắt một lần nữa. Nếu cần thiết, đồng chỉnh luồng laser bằng vít cố định (63) lại một lần nữa.
- Giữ phần chứa laser ở nguyên vị trí này và siết chặt vít bắt cố định (65) lại như trước.

- Lắp lại chụp bảo vệ laser (26) như trước.

Điều chỉnh góc xiên đứng tiêu chuẩn 0°

- Đưa máy vào vị trí vận chuyển.
- Xoay bàn cưa (37) đến mấu khóa (14) để đạt 0°. Cần (12) phải ăn khớp vào mấu khóa.

Kiểm tra (xem hình U1)

- Chỉnh thước đo góc đến 90° và đặt nó lên bàn cưa (37).

Chân thước đo góc phải nằm ngang bằng với lưỡi cưa (39) dọc theo toàn bộ chiều dài.

Điều chỉnh (xem hình U2)

- Nới lỏng cần khóa (13).
- Nới lỏng cả hai vít định vị (66) (ít nhất là 1 vòng) bằng chìa vặn ống (cỡ 10 mm).
- Nới lỏng vít định vị (68) (khoảng 3 vòng) bằng chìa vặn lục giác (4 mm) (16).
- Vặn vít định vị (67) bằng chìa vặn lục giác (4 mm) (16) vào hoặc ra cho đến khi chân thước góc nằm ngang bằng với lưỡi cưa dọc theo toàn bộ chiều dài.
- Siết chặt cần khóa (13) lại như trước. Sau đó, siết chặt vít định vị (68) rồi đến vít định vị (66) lại như trước.

Nếu chỉ báo góc (32) và (20) không thẳng hàng với vạch 0° của thước (31) sau khi điều chỉnh, hãy nới lỏng vít cố định của hiển thị góc bằng chìa vặn vít bốn cạnh và căn chỉnh chỉ báo góc dọc theo vạch 0°.

Điều chỉnh góc xiên đứng tiêu chuẩn 45° (trái)

- Đặt máy ở vào tư thế hoạt động.
- Xoay bàn cưa (37) đến mấu khóa (14) để đạt 0°. Cần (12) phải ăn khớp vào mấu khóa.
- Kéo cần điều chỉnh được bên trái (5) ra ngoài hoàn toàn.
- Nới lỏng cần khóa (13) và xoay cần trượt bằng tay nắm (1) sang trái cho đến cỡ chặn (45°).

Kiểm tra (xem hình V1)

- Chỉnh thước góc đến 45° và đặt lên bàn cưa (37).

Chân thước đo góc phải nằm ngang bằng với lưỡi cưa (39) dọc theo toàn bộ chiều dài.

Điều chỉnh (xem hình V2)

- Vặn vít định vị (69) bằng chìa vặn điều cũ (8 mm) vào hoặc ra cho tới khi chân của thước góc ngang bằng với lưỡi cưa dọc theo hết chiều dài.
- Siết chặt cần khóa (13) lại như trước.

Khi phần chỉ báo góc (32) và (20) không thẳng hàng với vạch 45 của thước đo (31) sau khi điều chỉnh, trước tiên, kiểm tra sự chỉnh đặt 0° đối với góc xiên đứng và phần chỉ báo góc thêm một lần nữa. Sau đó, lặp lại bước điều chỉnh góc xiên đứng 45°.

Góc xiên đứng tiêu chuẩn 45° (phải)

- Đặt máy ở vào tư thế hoạt động.
- Xoay bàn cưa (37) đến mấu khóa (14) để đạt 0°. Cần (12) phải ăn khớp vào mấu khóa.

- Kéo chấn điều chỉnh được bên phải (5) ra ngoài hoàn toàn.
- Nới lỏng cần khóa (13).
- Nghiêng nhẹ cần trượt bằng tay nắm (1) từ vị trí 0° sang trái và vận nùm xoay (38) cho đến khi tâm giới hạn góc xiên đứng mong muốn được hiển thị.
- Xoay cần trượt bằng tay nắm (1) sang phải đến cỡ chặn (45°).

Kiểm tra (xem hình W1)

- Chính thước góc đến 135° và đặt lên bàn cưa (37).

Chân thước đo góc phải nằm ngang bằng với lưỡi cưa (39) dọc theo toàn bộ chiều dài.

Điều chỉnh (xem hình W2)

- Vận vít định vị (70) bằng chìa vận điều cỡ (8 mm) vào hoặc ra cho tới khi chân của thước góc ngang bằng với lưỡi cưa dọc theo hết chiều dài.
- Siết chặt cần khóa (13) lại như trước.

Khi phần chỉ báo góc (32) và (20) không nằm cùng hàng với vạch 45° của thước đo (31) sau khi điều chỉnh, trước tiên, kiểm tra sự chính đặt 0° đối với góc xiên đứng và phần chỉ báo góc thêm một lần nữa. Sau đó, lặp lại bước điều chỉnh góc xiên đứng 45°.

Cần chỉnh thước cho góc xiên ngang

- Đặt máy ở vào tư thế hoạt động.
- Xoay bàn cưa (37) đến mẫu khóa (14) để đạt 0°. Cần (12) phải ăn khớp vào mẫu khóa.

Kiểm tra (xem hình X1)

- Chính thước góc đến 90° rồi đặt giữa thanh chắn (6) và lưỡi cưa (39) trên bàn cưa (37).

Chân thước đo góc phải nằm ngang bằng với lưỡi cưa (39) dọc theo toàn bộ chiều dài.

Điều chỉnh (xem Hình X2)

- Nới lỏng tất cả bốn vít định vị (71) bằng chìa vận lực giác (4 mm) (16) và xoay bàn cưa (37) cùng với thước (36) cho đến khi chân của thước góc ngang bằng với lưỡi cưa dọc theo toàn bộ chiều dài.

– Siết chặt các vít lại như cũ.

Nếu chỉ báo góc (57) không nằm thẳng với vạch 0° trên thước (36) sau khi điều chỉnh, hãy nới lỏng vít (72) bằng tuốc nơ vít đầu Phillips thông dụng và căn chỉnh chỉ báo góc dọc theo vạch 0°.

Điều chỉnh lực kẹp của cần khóa (13) (xem hình Y)

Lực kẹp của cần khóa (13) có thể điều chỉnh lại được.

Kiểm tra

- Lực kẹp giữ của cần khóa phải cố định vững chắc vị trí của cần trượt tại bất cứ góc xiên nào.

Điều chỉnh

- Nới lỏng cần khóa (13).

- Vận vít định vị (73) ngược chiều kim đồng hồ bằng chìa vận ống (cỡ 17 mm) để làm giảm lực kẹp, hoặc vận theo chiều kim đồng hồ để làm tăng lực kẹp.
- Điều chỉnh góc xiên đứng, siết chặt cần khóa (13) lại lần nữa và kiểm tra xem liệu lực kẹp yêu cầu đã được đáp ứng.

Vận chuyển (xem Hình Z)

Trước khi vận chuyển dụng cụ điện, phải tiến hành các bước như sau:

- Đẩy cần trượt (27) hoàn toàn ra phía sau và cố định nó ở vị trí này.
 - Hãy đảm bảo rằng cỡ định độ sâu (29) được ấn hoàn toàn vào trong và vít điều chỉnh (28) đi qua rãnh trong khi di chuyển tay máy mà không chạm vào cỡ định độ sâu.
 - Đẩy cần trượt hướng xuống cho đến khi khóa an toàn dùng khi di chuyển (30) có thể đẩy hết vào bên trong
 - Đẩy bàn cưa mở rộng (7) hết vào trong.
 - Chính một góc xiên đứng 0° và siết chặt cần khóa (13).
 - Xoay bàn cưa (37) sang trái đến cỡ chặn và vận chặt nùm khóa (11).
 - Dùng dải băng dính (74) bó cáp mạng vào với nhau.
 - Nếu có thể, đặt những lưỡi cưa không được sử dụng tới vào trong một bao bì đóng gói để chuyển vận.
 - Nếu có thể, đặt những lưỡi cưa không được sử dụng tới vào trong một bao bì đóng gói để chuyển vận.
 - Để vận chuyển, hãy cầm vào hốc nắm (15) ở bên cạnh bàn cưa.
- Chỉ sử dụng thiết bị vận chuyển khi di chuyển dụng cụ điện và không bao giờ sử dụng các bộ phận bảo vệ, cần trượt hoặc tay nắm.

Bảo Dưỡng và Bảo Quản

Bảo Dưỡng Và Làm Sạch

- Trước khi tiến hành bất cứ việc gì trên máy, kéo phích cắm điện nguồn ra.
- Để được an toàn và máy hoạt động đúng chức năng, luôn luôn giữ máy và các khe thông gió được sạch.

Nếu như cần phải thay dây dẫn điện thì công việc này phải do hãng **Bosch**, hay một đại lý được **Bosch** ủy nhiệm thực hiện để tránh gặp sự nguy hiểm do mất an toàn.

Chấn bảo vệ lưỡi đàn hồi phải luôn luôn có thể chuyển động tự do, co thắt tự động. Vì vậy, luôn luôn giữ cho phạm vi chung quanh chấn bảo vệ lưỡi đàn hồi được sạch.

- Làm sạch bụi và dăm sau mỗi lần sử dụng máy bằng cọ.
- Làm sạch bánh lăn (19) và cần trượt thường xuyên (27).

Phụ kiện

	Mã số máy
Gá kẹp nhanh	1 609 B06 203
Thanh chèn	1 609 B04 470
Túi chứa bụi	1 609 B05 010
Cút nối ống hút	2 607 001 977
Giá cửa GTA 2500 W	0 601 B12 100
Giá cửa GTA 3800	0 601 B24 000
Máy hút bụi dành cho gỗ GAS 35 M AFC	0 601 9C3 100
Lưới cửa gỗ và vật liệu dạng tấm, ván ô và nẹp	
Lưới cửa 305 x 25,4 mm, 60 răng	2 608 640 914
Lưới cửa vật liệu tổng hợp và kim loại màu	
Lưới cửa 305 x 25,4 mm, 96 răng	2 608 642 205
Lưới cửa 305 x 25,4 mm, 96 răng	2 608 642 206

Dịch vụ hỗ trợ khách hàng và tư vấn sử dụng

Bộ phận phục vụ hàng sau khi bán của chúng tôi trả lời các câu hỏi liên quan đến việc bảo dưỡng và sửa chữa các sản phẩm cũng như phụ tùng thay thế của bạn. Sơ đồ mô tả và thông tin về phụ tùng thay thế cũng có thể tra cứu theo dưới đây:

www.bosch-pt.com

Đội ngũ tư vấn sử dụng của Bosch sẽ giúp bạn giải đáp các thắc mắc về sản phẩm và phụ kiện.

Trong tất cả các phản hồi và đơn đặt phụ tùng, xin vui lòng luôn luôn nhập số hàng hóa 10 chữ số theo nhãn của hàng hóa.

Việt Nam

CN CÔNG TY TNHH BOSCH VIỆT NAM TẠI TP.HCM

Tầng 14, Ngôi Nhà Đức, 33 Lê Duẩn
Phường Bến Nghé, Quận 1, Thành Phố Hồ Chí Minh

Tel.: (028) 6258 3690

Fax: (028) 6258 3692 - 6258 3694

Hotline: (028) 6250 8555

Email: tuvankhachhang-pt@vn.bosch.com

www.bosch-pt.com.vn

www.baohanhbosch-pt.com.vn

Campuchia

Công ty TNHH Robert Bosch (Campuchia)
Đơn nguyên 8BC, GT Tower, Tầng 08, Đường 169,
Tiệp Khắc Blvd, Sangkat Veal Vong,

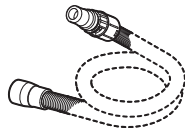
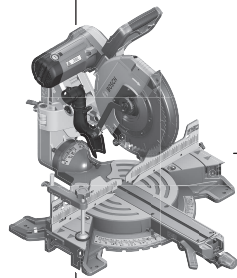
Khan 7 Makara, Phnom Penh
VAT TIN: 100 169 511
Tel.: +855 23 900 685
Tel.: +855 23 900 660
www.bosch.com.kh

Sự thải bỏ

Máy, linh kiện và bao bì phải được phân loại để tái chế theo hướng thân thiện với môi trường.



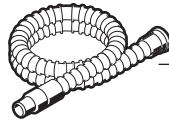
Không được thải bỏ dụng cụ điện vào chung với rác sinh hoạt!



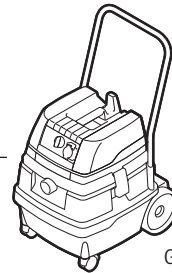
Ø 40 mm:
1 600 A00 0JF (3 m)



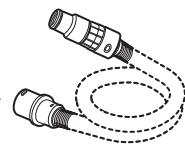
GAS 20 L SFC



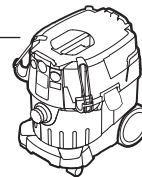
Ø 19 mm:
2 607 002 161 (3 m)
2 607 002 162 (5 m)
Ø 35 mm:
2 607 002 163 (3 m)
2 607 002 164 (5 m)



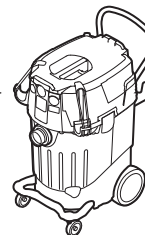
GAS 25 L SFC
GAS 50
GAS 50 M



Ø 22 mm:
2 608 000 571 (3 m)
2 608 000 567 (5 m)
Ø 35 mm:
2 608 000 569 (3 m)
2 608 000 565 (5 m)



GAS 35 L SFC+
GAS 35 L AFC
GAS 35 M AFC



GAS 55 M AFC



Ø 22 mm:
2 608 000 572 (3 m)
2 608 000 568 (5 m)
Ø 35 mm:
2 608 000 570 (3 m)
2 608 000 566 (5 m)