

# Hilka

## ASSEMBLY INSTRUCTIONS FOR 7 DRAWER MOBILE TROLLEY WITH BALL BEARING SLIDES



<b>Model No.</b>	<b>G301T7BBS</b>
<b>7 DRAWER MOBILE TROLLEY</b>	
Overall Size:	680 x 344 x 887 mm
Medium Drawer (x2):	514 x 270 x 49.5 mm
Weight Load per Medium Drawer:	20 kg
Big Drawer (x5):	514 x 270 x 105.5 mm
Weight Load per Big Drawer:	20 kg
Castor (x4):	102 x 25 mm
Unit Weight:	27.70 kg
Maximum Weight Load (Total):	140 kg

# Hilka

## ASSEMBLY INSTRUCTIONS FOR 7 DRAWER MOBILE TROLLEY WITH BALL BEARING SLIDES

### CAUTION

Read and follow all Safety Rules and Assembly Instructions before assembling this product.  
Retain this document for further reference.

### SAFETY INSTRUCTIONS

- \* Do not stand on this product.
- \* Do not mount this product on a truck bed or any other moving object.
- \* Be careful when opening more than one drawer. The product could become unstable and tip.
- \* Close and lock all drawers before moving this product.
- \* Keep the product on a level surface. The product may become unstable and tip if stored or moved on an un-level surface, and may cause personal injury or product damage.
- \* Use the brakes when not moving the cabinet.

### ASSEMBLY

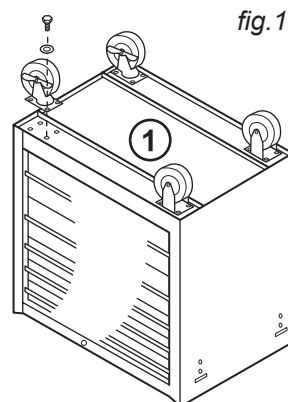
#### 1. CASTER INSTALLING – fig 1

Assemble the casters to the bottom of the unit using 4 bolts and washers.  
Note: Swivel casters should be mounted on the same side as the handle.

#### 2. HANDLE INSTALLING – fig 2

Insert the side handle into the cabinet and attach using 4 bolts and washers.

Note: The side handle should be mounted on the same side as the swivel casters.



### MAINTENANCE

Periodically tighten all bolts.

Periodically lubricate the casters.

Lubricate the slides at least twice a year.

Lubricate the lock annually.

### PARTS SUPPLIED

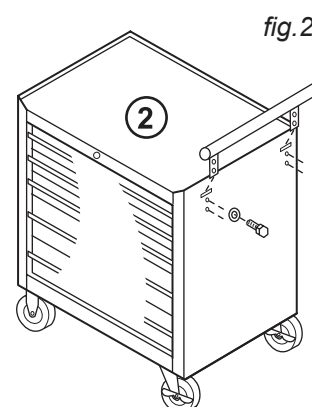
1x Unit

1x Handle

8x Bolts and washers for Handle

4x 4" Casters

32x Bolts and washers for Casters



This product is guaranteed for domestic use only for a period of 12 months against faulty manufacture or materials.

Any other use may invalidate the guarantee. This product is not guaranteed for hire purposes.

This guarantee does not affect the statutory rights of the consumer.

If there is something about our product that you don't understand, or for spares, instruction manuals, FAQs and support request please check on our website at

[www.hilka.co.uk/support](http://www.hilka.co.uk/support)

#### NOTE:

These important safeguards and instructions cannot cover all possible conditions and situations that may occur. It must be understood that common sense and caution are factors which cannot be built into any product. These factors must be applied by the person using this product

Hilka Tools UK Ltd

1, Roebuck place, Roebuck road, Chessington, Surrey. KT9 1EU