

Hilka

ASSEMBLY INSTRUCTIONS FOR 8 DRAWER COMBINATION SET WITH BALL BEARING SLIDES



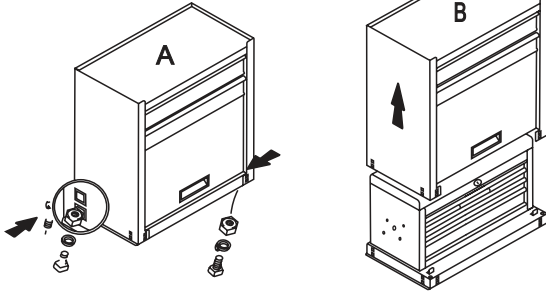
Model No.	C108BBS
6 Drawer Topchest	
Overall Size:	615 x 264 x 336 mm
Top Tray (x1):	591 x 251 x 48 mm
Weight Load per Top Tray:	10 kg
Small Drawer (x3):	151 x 221 x 37.5 mm
Weight Load per Small Drawer:	5 kg
Medium Drawer (x2):	511 x 221 x 37.5 mm
Weight Load per Medium Drawer:	10 kg
Big Drawer (x1):	511 x 221 x 83.5 mm
Weight Load per Big Drawer:	10 kg
2 Drawer Rollcab	
Overall Size:	616 x 307 x 703 mm
Big Drawer (x2):	514 x 270 x 65.5 mm
Weight Load per Big Drawer:	15 kg
Cabinet (x1):	520 x 265 x 363 mm
Weight Load per Cabinet:	30 kg
Castor (x4):	76 x 19 mm
8 DRAWER COMBINATION SET	
Overall Size:	616 x 307 x 1025 mm
Unit Weight:	23.50 kg
Maximum Weight Load (Total):	115 kg

Hilka

ASSEMBLY INSTRUCTIONS FOR 8 DRAWER COMBINATION SET WITH BALL BEARING SLIDES

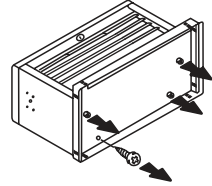
C108BBS

1. LIFT OFF BODY



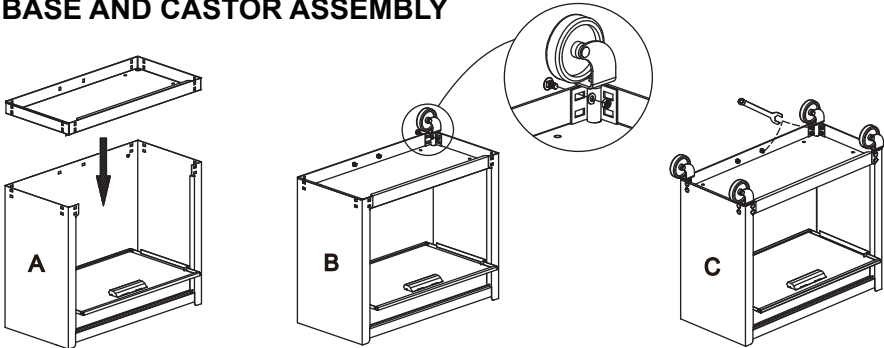
The bolts, nuts and washers need to be dismantled.

2. REMOVE BASE



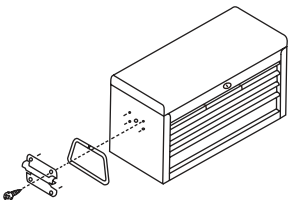
The screws need to be dismantled by screwdriver, screwdriver not included.

3. BASE AND CASTOR ASSEMBLY



The bolts, nuts and washers need to be fixed by wrench, wrench not included.

4. HANDLE ASSEMBLY



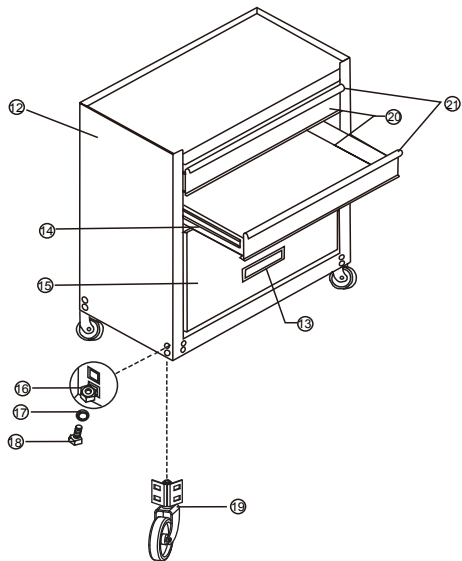
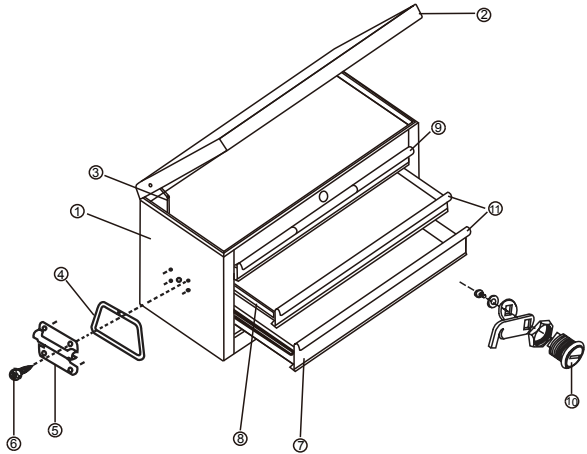
5. ASSEMBLY COMPLETE



Lubricate drawer slides periodically.
Hardware (nuts, bolts, screws)
tighten periodically.

PARTS NO.	DESCRIPTION	QUANTITY
1.	Small Chest	1
2.	Upper Cover	1
3.	Lid Support	2
4.	Side Handle Ring	2
5.	Side Handle Ring Base	2
6.	ST2.9x10 Phil Recessed Pan Head Tapping Screw	8
7.	Big Drawer	1
8.	Medium Drawer	2
9.	Small Drawer	3
10.	Lock and Key Set	1
11.	Black Drawer Plastic Pull	6
12.	Large Cabinet	1
13.	Plastic Handle	1
14.	Ball Bearing Slide	16
15.	Front Cover	1
16.	M6 Nut	18
17.	Washer	18
18.	M6x12 Mushroom Head Screw	18
19.	Connector fixed with Wheel	4
20.	Big Drawer	2
21.	Black Drawer Plastic Pull	2

BILL OF MATERIAL



This product is guaranteed for domestic use only for a period of 12 months against faulty manufacture or materials.
Any other use may invalidate the guarantee. This product is not guaranteed for hire purposes.
This guarantee does not affect the statutory rights of the consumer.

If there is something about our product that you don't understand, or for spares, instruction manuals, FAQs and support request please check on our website at

www.hilka.co.uk/support

NOTE:

These important safeguards and instructions cannot cover all possible conditions and situations that may occur. It must be understood that common sense and caution are factors which cannot be built into any product. These factors must be applied by the person using this product

Hilka Tools UK Ltd

1, Roebuck place, Roebuck road, Chessington, Surrey. KT9 1EU