

Hilka

ASSEMBLY INSTRUCTIONS FOR 5 DRAWER COMBINATION SET WITH BALL BEARING SLIDES

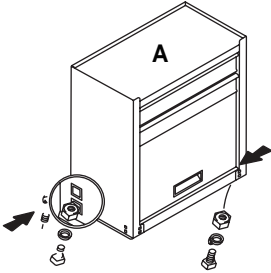


Model No.	C-105BBS
3 Drawer Topchest	
Overall Size:	615 x 264 x 295 mm
Top Tray (x1):	591 x 251 x 48 mm
Weight Load per Top Tray:	20 kg
Medium Drawer (x2):	511 x 221 x 37.5 mm
Weight Load per Medium Drawer:	10 kg
Big Drawer (x1):	511 x 221 x 83.5 mm
Weight Load per Big Drawer:	15 kg
2 Drawer Rollcab	
Overall Size:	616 x 307 x 659 mm
Big Drawer (x2):	514 x 270 x 65.5 mm
Weight Load per Big Drawer:	10 kg
Cabinet (x1):	520 x 265 x 318 mm
Weight Load per Cabinet:	30 kg
Castor (x4):	76 x 19 mm
5 DRAWER COMBINATION SET	
Overall Size:	616 x 307 x 940 mm
Unit Weight:	20.90 kg
Maximum Weight Load (Total):	105 kg

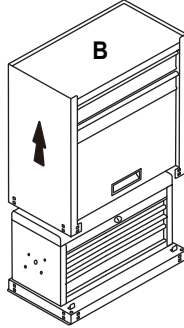
Hilka

ASSEMBLY INSTRUCTIONS FOR 5 DRAWER COMBINATION SET WITH BALL BEARING SLIDES C-105BBS

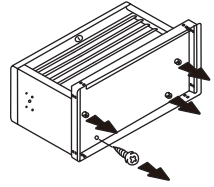
1. LIFT OFF BODY



The bolts, nuts and washers need to be dismantled.

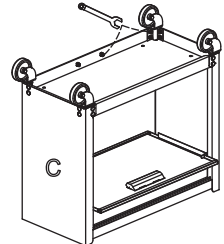
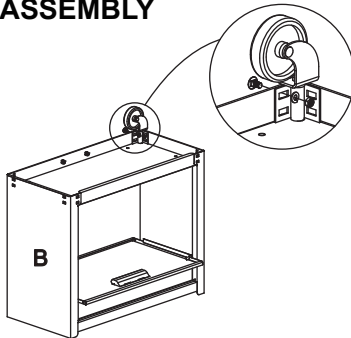
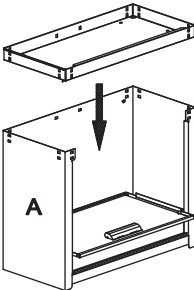


2. REMOVE BASE



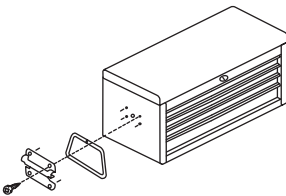
The screws need to be dismantled by screwdriver, screwdriver not included.

3. BASE AND CASTOR ASSEMBLY

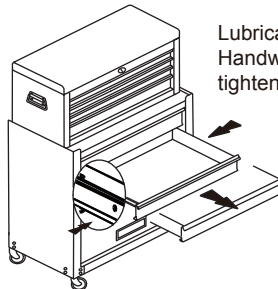


The bolts, nuts and washers need to be fixed by wrench, wrench not included.

4. HANDLE ASSEMBLY



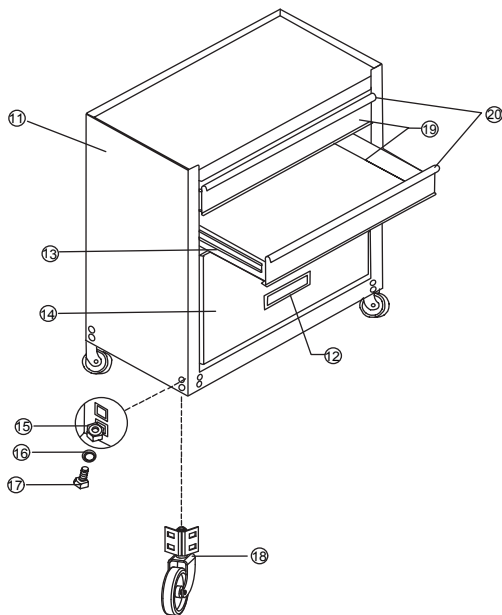
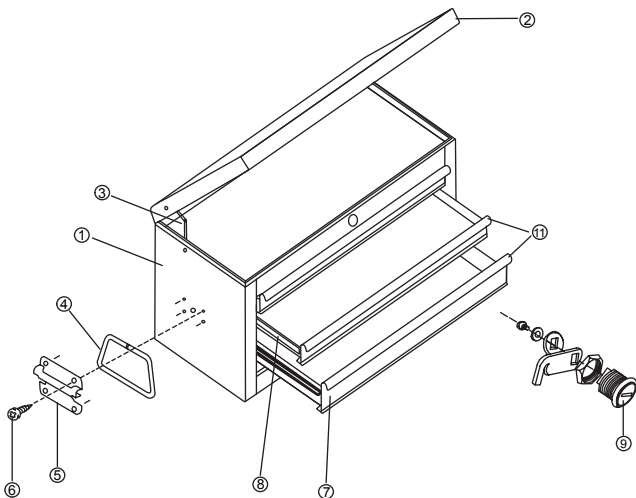
5. ASSEMBLY COMPLETE



Lubricate drawer slides periodically.
Hardware(nuts,bolts, screws)
tighten periodically.

PARTS NO.	DESCRIPTION	QUANTITY
1.	Small Chest	1
2.	Upper Cover	1
3.	Lid Support	2
4.	Side Handle Ring	2
5.	Side Handle Ring Base	2
6.	ST2.9x10 Phil Recessed Pan Head Tapping Screw	8
7.	Big Drawer	1
8.	Small Drawer	2
9.	Lock and Key Set	1
10.	Black Drawer Plastic Pull	3
11.	Large Cabinet	1
12.	Plastic Handle	1
13.	Ball Bearing Slide	10
14.	Front Cover	1
15.	M6 Nut	18
16.	Washer	18
17.	M6x12 Mushroom Head Screw	18
18.	Connector fixed with Wheel	4
19.	Big Drawer	2
20.	Black Drawer Plastic Pull	2

BILL OF MATERIAL



This product is guaranteed for domestic use only for a period of 12 months against faulty manufacture or materials.
Any other use may invalidate the guarantee. This product is not guaranteed for hire purposes.
This guarantee does not affect the statutory rights of the consumer.

If there is something about our product that you don't understand, or for spares, instruction manuals, FAQs and support request
please check on our website at

www.hilka.co.uk/support

NOTE:

These important safeguards and instructions cannot cover all possible conditions and situations that may occur. It must be understood that common sense and caution are factors which cannot be built into any product. These factors must be applied by the person using this product

Hilka Tools UK Ltd

1, Roebuck place, Roebuck road, Chessington, Surrey. KT9 1EU