

# DIGITAL ANGLE RULE REF. DAR/200

Thank you for purchasing this Trend product which should give lasting performance if used in accordance with these instructions.

## INTENDED USE

This accessory is intended to be used to measure the angle and length of a component.

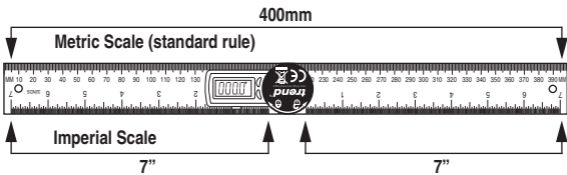
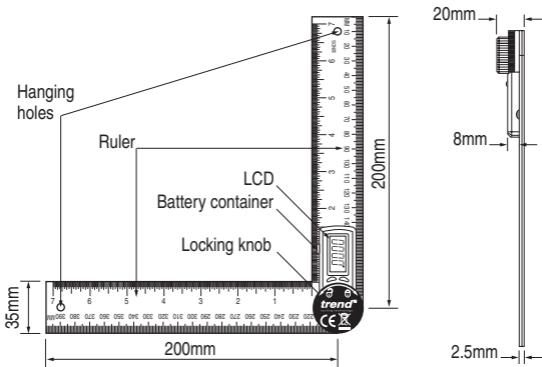
## SAFETY



Read and understand the instruction sheet carefully before using. This is a sensitive precision tool. Do not disassemble or drop it. Please note the sharp edges, avoid scratching. Store out of reach of children. Do not use as a toy or as a weapon.

PLEASE KEEP THESE INSTRUCTIONS IN A SAFE PLACE.

## DESCRIPTION OF PARTS



## OPERATION

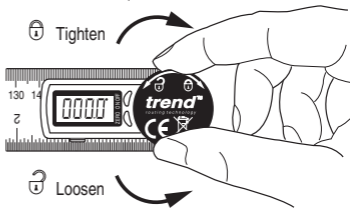
**ON/OFF button:** Short press ON/OFF to turn on, or alternatively move the scale to turn on the device when at off LCD status. Short press ON/OFF to turn off the LCD. Long press ON/OFF for more than 3 seconds to

shut off the whole system. Automatically turns off in 6 minutes.

**ZERO button:** Press ZERO to set zero at any point when turned on.



- Rotate clockwise to tighten the moving rule.
- Rotate anti-clockwise to loosen the moving rule.

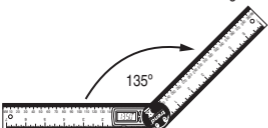


## Measuring Obtuse Angles

**1.** Short press ON/OFF to turn on, close up both rulers and place on the flat surface, make sure both ruler's edges touch the surface, press ZERO button to set zero.



**2.** Rotate the rule to measure the angle.



## Measuring Acute Angles

**1.** Short press ON/OFF to turn on, open up both rulers and place on the flat surface, make sure both ruler's edges touch the surface, press ZERO button to set zero.



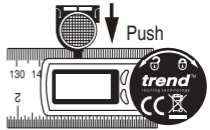
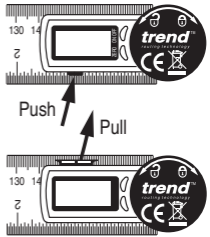
**2.** Rotate the rule to measure the angle.



## Battery Fitting and Replacement



- To fit or replace battery push the tab on the bottom of the LCD. The edge of the battery container will appear on the opposite side of the LCD.
- Pull the battery container out.
- Remove the old battery. Insert the new battery type CR2032 3v.
- Ensure the negative pole of the battery is uppermost. The positive pole is on the underside of the battery.
- Push the battery container back in.



## Battery Care



**WARNING!** Insert battery correctly. Keep batteries away from children. Do not swallow, open, recharge, or expose to water, fire or high temperature: may explode, leak and cause damage.

## TROUBLE SHOOTING



Problem	Possible Cause	Solution
No display or ambiguous reading.	Lower voltage, no battery or incorrect installation of battery.	Reinstall battery or replace battery.
Erratic display.	Misfunction caused by high vibration or heavy swinging of rule.	Press zero to reset zero.
Number skip or frozen display.	Internal error.	Remove battery, wait one minute and replace.

## MAINTENANCE

The rule has been designed to operate for a long period of time with the minimum of maintenance. Continual satisfactory operation depends upon proper tool care and regular cleaning.

### Cleaning

- Clean with mild liquid soap and damp cloth. Dry with soft cloth. Never immerse in water. Rule requires no additional lubrication.

### Storage

- Return to packaging after use if it is not to be used for a long time. Store rule in a dry and shady place. Never leave it outside or in a wet environment. Before storing, it is recommended to wipe surfaces with an anti-rust oil.

## GUARANTEE

All Trend products are guaranteed against any defects in either workmanship or material, except products that have been damaged due to improper use or maintenance.

## ENVIRONMENTAL PROTECTION

Recycle raw materials instead of disposing as waste. Packaging should be sorted for environmental-friendly recycling. The product, at the end of its life, should be sorted for environmental-friendly recycling.

### Batteries and the Environment



This unit uses Lithium Ion (Li-Ion) batteries. When battery pack needs replacing, we recommend the following: Discharge the energy from the batteries by running them down completely and then remove from the tool.

Li-Ion cells are recyclable so do not throw them away with household waste. They may end up in an incinerator or landfill, which must be avoided.

Instead, take the batteries to a Trend Service Agent, your local Trend Stockist or a local recycling station. If necessary contact your local municipality for disposal information. The collected batteries will be disposed of properly and/or used for recycling purposes.

## CE CONFORMITY DECLARATION

This product conforms with EMC Directive 2004/108/EC.

## TECHNICAL DATA

Measuring Range: 000.0° - 999.9° (more than 999.9° will show incorrect display)  
 Working Temperature: 0°C to +50°C Working Humidity: ≤ 85% RH  
 Working Current: ≤ 50 uA Resolution: 0.1° Accuracy: 0.3°  
 Battery: CR2032 3V Lithium Battery Weight: 162g



Denotes risk of personal injury, loss of life or damage to the tool in case of nonobservance of the instructions.

The attention of UK users is drawn to The Provision and Use of Work Equipment Regulations 1998, and any subsequent amendments. Users should also read the HSE/HSC Safe Use of Woodworking Machinery Approved Code of Practice and Guidance Document and any amendments. Users must be competent in woodworking equipment before using our products.

**DAR/200**



# **DIGITAL ANGLE RULE 400mm (2x200mm)**

- Easy operation with two press buttons.
- Auto-shut off in 6 minutes.
- Includes CR2032 3v Lithium battery.



## **External Angle Finder**



## **Internal Angle Finder**

Our policy of continuous improvements mean that specifications may change without notice. Trend Machinery & Cutting Tools Ltd. cannot be held liable for any material rendered unusable, or for any form of consequential loss.

**GB**

**Trend Machinery & Cutting Tools Ltd.**

Tel: 0044(0)1923 249911  
enquiries@trendm.co.uk  
www.trend-uk.com

**USA**

**Trend Routing Technology Inc.**

Tel: 0044(0)1923 249911  
enquiries@trend-usa.com  
www.trend-usa.com

© Copyright Trend 2010.  
E&OE. © All trademarks acknowledged.



Li-Ion