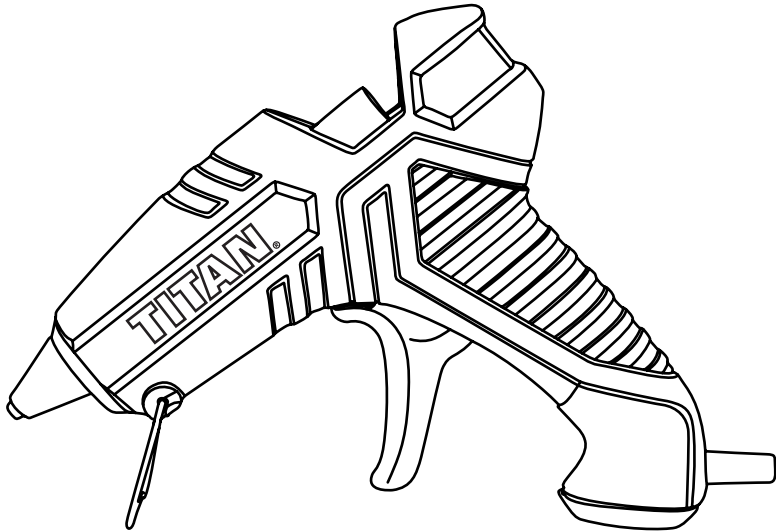


# TITAN®

## Glue Gun 25W



# TTB580HTL

Barcode: 5052931292172



**WARNING: Read the instructions before using the product!**



Congratulations on your purchase of a **TITAN** power tool from Titan Power Tools (UK) Ltd. We want you to continue getting the best performance from it so this handbook includes information on safety, handling and care. Please retain this handbook in case of you need to refer to any of the information in the future.

Your **TITAN** power tool comes with a 2 year guarantee, so should it develop a fault within this period contact your retailer.



This **TITAN** product carries a guarantee of 2 years. If your product develops a fault within this period, you should in the first instance contact the retailer where the item was purchased.

This guarantee specifically excludes losses caused due to:

- Fair wear and tear
- Misuse or abuse
- Lack of routine maintenance
- Failure of consumable items (such as batteries)
- Accidental damage
- Cosmetic damage
- Failure to follow manufacturer's guidelines
- Loss of use of the goods

This guarantee does not affect your statutory rights. This guarantee is only valid in the UK.

For any enquiries relating to the guarantee please refer to your retailer.

# Let's get started...

These instructions are for your safety. Please read through them thoroughly before use and retain them for future reference.



## Getting started...

02

Your product

03

Technical and legal information

04-07

Before you start

08



## In more detail

09

Product functions

10

Operation

10-11

Care and maintenance

11-13

Trouble shooting

14

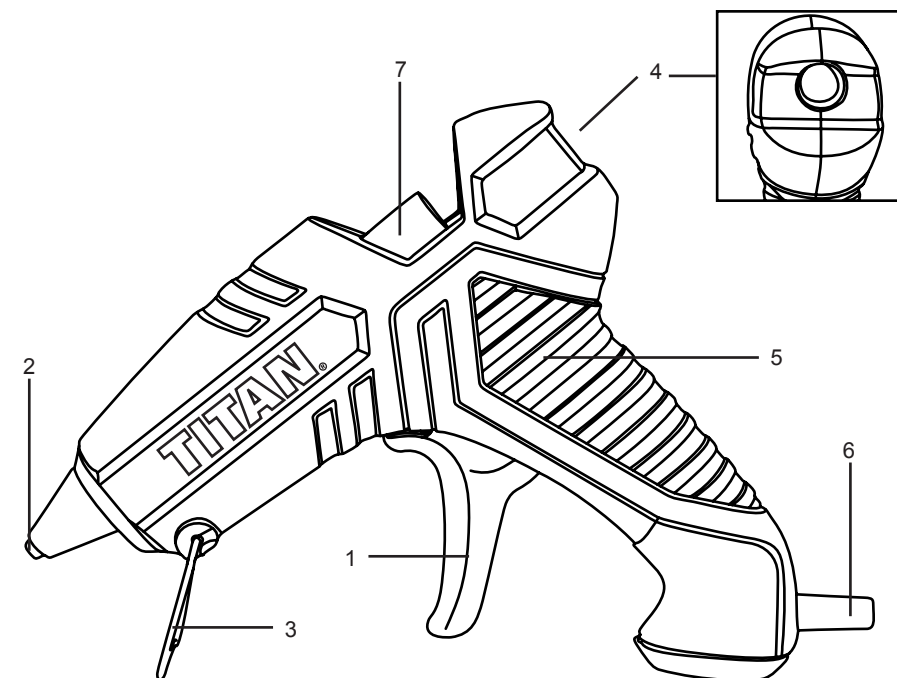
Recycling

15

EC declaration of conformity

16

## Your product



1. Trigger
2. Nozzle
3. Support Bracket
4. Port for supplying glue sticks
5. Handle
6. Cable protection
7. Monitoring window glue residue

## Technical specifications

- > **Rated voltage:** 220-240V~50Hz
- > **Rated power:** 25W
- > **Maximum instantaneous power:** 200W
- > **Heat time:** 5-7min
- > **Diameter of glue stick:** 11mm
- > **Weight:** 0.36kg

### Emergency

Familiarise yourself with the use of this product by means of this instruction manual. Memorise the safety directions and follow them to the letter. This will help to prevent risks and hazards.

1. Always be alert when using this product, so that you can recognise and handle risks early. Fast intervention can prevent serious injury and damage to property.
2. Disconnect the machine from the power supply if there is any malfunction. Have the product checked by a qualified specialist and repaired, if necessary, before you put it into operation again.

### WARNING!

**This product produces an electromagnetic field during operation! This field may under some circumstances interfere with active or passive medical implants! To reduce the risk of serious or fatal injury, we recommend persons with medical implants to consult their doctor and the medical implant manufacturer before operating this product!**

### Health Surveillance

All employees should be part of an employer's health surveillance scheme to help identify any vibration related diseases at an early stage, prevent disease progression and help employees stay in work.

### Double insulation

The tool is double insulated. This means that all the external metal parts are electrically insulated from the mains power supply. This is done by placing insulation barriers between the electrical and mechanical components making it unnecessary for the tool to be earthed.

### Important note

Be sure the supply is the same as the voltage given on the rating plate. The tool is fitted with a two-core cable and plug. Remove the mains plug from socket before carrying out, any adjustment or servicing.

## Symbols

On the product, the rating label and within these instructions you will find among others the following symbols and abbreviations. Familiarise yourself with them to reduce hazards like personal injuries and damage to property.

V~	Volt, (alternating voltage)
W	Watt
Hz	Hertz
min <sup>-1</sup>	per minute
kg	Kilogram
dB(A)	Decibel (A-rated)
m/s <sup>2</sup>	Metres per second squared
yyWxx	Manufacturing date code; year of manufacturing (20yy) and week of manufacturing (Wxx)



Caution / Warning.



Read the instruction manual.



Indicates electrical shock hazard.



Immediately unplug the plug from the mains electricity in the case that the cord gets damaged and during maintenance.



Wear breathing protection



Wear protective gloves.



Wear safety footwear.



Double insulated



The product complies with the applicable European directives and an evaluation method of conformity for these directives was done.



Waste electrical products should not be disposed of with household waste. Please recycle where facilities exist. Check with your Local Authority or local store for recycling advice.

## Safety warnings

### General power tool safety warnings

**This product is not a toy! Do not let children play with or near the tool!**

This unit can be used by aged 8 years old and people with abilities, sensory or mental reduced or lack of experience or knowledge, they (if they) are properly monitored (s) or instructions for use of the device safely given to them and if the risks are been apprehended.

**Children should not play with the appliance. Cleaning and user maintenance should not be performed by unsupervised children.**

### CAUTION!

If the power cable is damaged, it must be replaced by the manufacturer, its service agent or a similarly qualified person in service in order to avoid a hazard.

## Additional safety rules for glue gun

1. HOT SURFACES (the glue and the nozzle of the gun can reach temperatures ranging from 120 to 220°C (depending on the model used) Avoid all skin contact. If burnt, plunge the burn under cold water. Children should only use the gun in the presence of an adult. Keep away from sources of ignition.
2. Children should only use the gun in the presence of an adult.
3. Do not use the gun in damp or wet conditions or expose it to rain.
4. Unplug the gun from the wall socket when not in use.
5. Never put any object in the gun other than the glue sticks recommended.
6. Never take a glue stick out once it has been put into the gun: the resulting damage may be irreparable.
7. Never pull the cord to unplug the glue gun.

**WARNING:** This tool must be placed on its stand when not in use. The appliance is designed for DIY use.

## MOUNTING

### Unpack

Remove all packing materials and shipping devices if applicable. Make sure the delivery contents are complete and free of any damage. If you find that parts are missing or show damage do not use the product but contact your dealer. Using an incomplete or damaged product represents a hazard to people and property. Ensure that you have all the accessories and tools needed for assembly and operation.

### Assembly



**CAUTION!** Always ensure that the glue gun is switched off and plug is removed from the power point before making any adjustments.

Before use, we should assemble the machine well.

### ASSEMBLE THE SUPPORT BRACKET (Fig.1)

**NOTE:** The support bracket is for safe positioning of the gun between gluing operations and for storage when not in use.

Insert clamp head of the support bracket into both holes which at the front of machine.

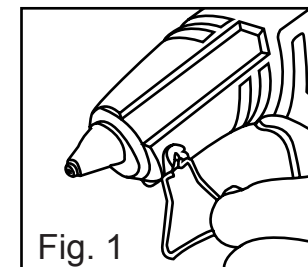


Fig. 1

### INSERT THE GLUE STICK AND HEAT UP

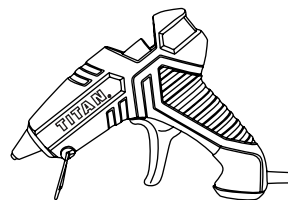
Plug into power supply and insert the glue stick into the gun through the feeder tube. Then allow glue gun to heat up(5-7mins).

To further load the stick into the gun, squeeze the trigger several times.



## In more detail...

<b>Product functions</b>	10
<b>Operation</b>	10-11
<b>Care and maintenance</b>	11-13
<b>Trouble shooting</b>	14
<b>Recycling</b>	15
<b>EC declaration of conformity</b>	16



## Product functions

The machine is intended for gluing wood, cardboard, glass, plastic, ceramics and textiles.

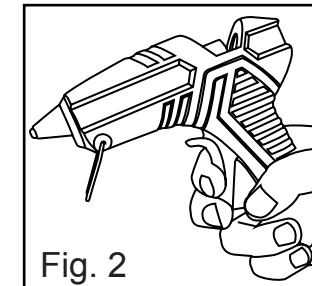
## OPERATION

### TRIGGER (Fig.2)

Before you start gluing securely fasten the workpiece to prevent its movement.

To start the flow of hot glue, squeeze trigger.

The trigger may require several operations initially to begin flow. The glue sticks must be allowed to heat fully to flow properly.



### WARNING:

If hot glue comes into contact with skin, a serious burn may occur. Run under cold water for several minutes and seek medical attention if required.

Residual glue in the chamber of this glue gun may result in dripping. Ensure that work surface is suitably protected from dripping glue.

Avoid contact with the hot nozzle. It is advisable to wear heat resistant gloves when using this hot glue gun.

## General operation

1. Check the product, its power cord and plug as well as accessories for damage before each use. Do not use the product if it is damaged or shows wear.
2. Double check that accessories or application tools are properly fixed.
3. Always hold the product by its handle. Keep the handles dry to ensure safe support.
4. Switch the product off immediately if you are disturbed while working with it and when other people enter the working area. Always let the product come to complete stop before putting it down.
5. Do not overwork yourself. Make breaks on regularly base to ensure concentrated work and full control over the product.

## Gluing

Attention. Never touch the nozzle or the front of the gun, where the temperature is very high.

1. Put the nozzle close to the work surface slowly.
2. Press the trigger lightly so that the glue flow out from the nozzle Uniformly. If you press the button hard may damage the unit.
3. Apply glue to one of the two materials and press together within 15-20 seconds. The glue will set hard in approximately 1 minute. When the glue stick has been used, a second stick will have to be used to push out the remains of the previous stick through the glue gun.

## After use

1. Put the gun on the support bracket and place it on the work surface so that the nozzle can not touch the work surface.
2. It is recommended to put a sheet of paper under the nozzle, because of the gun has not yet cooled down can drip glue.
3. Disconnect the gun from the power supply.
4. Check, clean and store the product as described below.

Attention . Do not remove the gun until it is completely cool down!

## Cleaning

Keep tools sharp and clean for better performance and more safety .  
Cleaning plastic parts is disconnected machine using a soft damp cloth and mild soap .  
Never immerse the machine and do not use detergent , alcohol, gasoline, etc. .  
Any thorough cleaning should be performed by the manufacturer, its service agent or a similarly qualified person in service in order to avoid a hazard.

**NOTE: Do not use chemical, alkaline, abrasive or other aggressive detergents or disinfectants to clean this product as they might be harmful to its surfaces.**

## Plug replacement

If you need to replace the fitted plug then follow the instructions below.

### Important

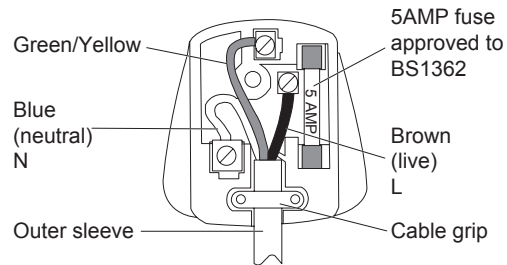
The wires in the mains lead are coloured in accordance with the following code:

**Green & yellow - Earth**  
**Blue - Neutral**  
**Brown - Live**

As the colours of the wires in the mains lead of this appliance may not correspond with the coloured markings identifying the terminals in your plug, proceed as follows.

The wire which is coloured green & yellow must be connected to the terminal which is marked with E or  $\frac{1}{1}$  .

The wire which is coloured blue must be connected to the terminal which is marked with N. The wire, which is coloured brown, must be connected to the terminal, which is marked with the letter L.



Warning: Never connect live or neutral wires to the earth terminal of the plug. Only fit an approved 5 Amp BS1363/A plug and the correct rated fuse.



NOTE: If a moulded plug is fitted and has to be removed take great care in disposing of the plug and severed cable, it must be destroyed to prevent engaging into a socket. If the supply cord is damaged it must be replaced by a service agent or a similarly qualified person in order to avoid hazard.

## Storage

1. Clean the product as described above.
2. Store the product and its accessories in a dry, frost-free place.
3. Always store the product in a place that is inaccessible to children. The ideal storage temperature is between 10 and 30°C.
4. We recommend using the original package for storage or cover the product with a suitable cloth to protect it against dust.

## Transportation

1. Switch the product off and disconnect it from power supply before transporting it anywhere.
2. Attach transportation guards, if applicable.
3. Always carry the product by its handles.
4. Protect the product from any heavy impact or strong vibrations which may occur during transportation in vehicles.
5. Secure the product to prevent it from slipping or falling over.

## Trouble shooting

Suspected malfunctions are often due to causes that the users can fix themselves. Therefore check the product using this section. In most cases the problem can be solved quickly.



**WARNING!** Only perform the steps described within these instructions! All further inspection, maintenance and repair work must be performed by an authorised service centre or a similarly qualified specialist if you cannot solve the problem yourself!

Problem	Possible cause	Solution
1. Product does not start	1.1 Not connected to power supply 1.2 Power cord or plug is defective 1.3 Other electrical defect to the product	1.1 Connect to power supply 1.2 Check by a specialist electrician. 1.3 Check by a specialist electrician
2. Product does not reach full power	2.1 Extension cord not suitable for operation with this product 2.2 Power source (e.g. generator) has too low voltage	2.1 Use a proper extension cord 2.2 Connect to another power source
3. Unsatisfactory result	3.1 Nozzle was blocked 3.2 Lack of glue stick	3.1 Make sure there is no sundries in it 3.2 Insert a new stick



## Recycling



Waste electrical products should not be disposed of with household waste. Please recycle where facilities exist. Check with your Local Authority or local store for recycling advice.



## Declaration of Conformity

We, Importer  
**Titan Power Tools (UK) Ltd.**  
 Trade House, Mead Avenue, BA22 8RT

Declare that the product:  
**Designation: GLUE GUN 25W**  
**Model: TTB580HTL**

Complies with the following Directives:  
**2004/108/EC** Electromagnetic Compatibility Directive  
**2006/95/EC** Low Voltage Directive  
**2011/65/EU** Restrictions of the Use of Certain Hazardous Substances in Electrical and Electronic Equipment  
**2012/19/EU** Waste Electrical and Electronic Equipment (WEEE)

Standards and technical specifications referred to:

**EN 55014-1/A2:2011**  
**EN 55014-2/A2:2008**  
**EN 61000-3-2/A2:2009**  
**EN 61000-3-3:2008**  
**EN 60335-1:2012**  
**EN 60335-2-45/A2:2012**  
**EN 62233:2008**

Authorised Signatory and technical file holder  
 Date : 24/12/2013

Signature:   
 Name / title: Peter Harries / Quality Manager  
 Powersmith (UK) LTD. Trade House , Mead Avenue , BA22 8RT



# GLUE GUN 25W TTB580HTL



Titan Power Tools (UK) Ltd  
Trade House, Mead Avenue,  
BA22 8RT

---