

Parts List & Adjustment Instructions

Soft Close Toilet Seat

Ref.	Description	Qty	Ref.	Description	Qty
A	Toilet Seat Ring and Cover	1	D	Hinge Cover	2
B	Hexagon Key	1	E	Hinge Base	2
C	Hinge Pin	2	F	Gasket	2
			G	Cavity Fixing (tab, bolt & nut)	2

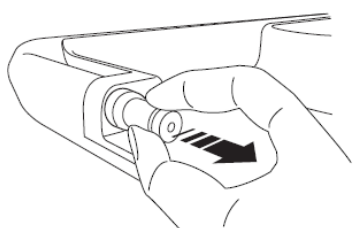
Before You Start

- Check the pack and ensure all parts are present. If not, contact your vendor who will be able to help
- Ensure you have the correct tools to hand, plenty of space to work and a clean, dry area for assembly
- Protect the toilet seat/cover whilst fitting and do not place tools on seat/cover during installation

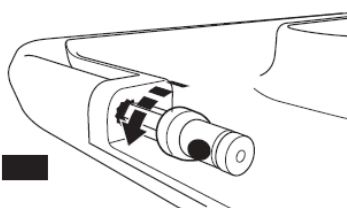
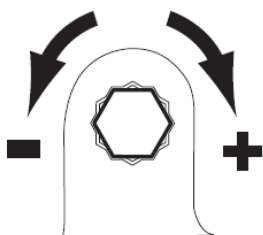
Please Note: Although these instructions are comprehensive, it is always recommended that a technically competent installer should undertake installation

Care & Use

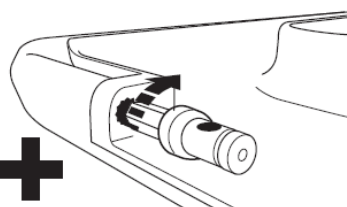
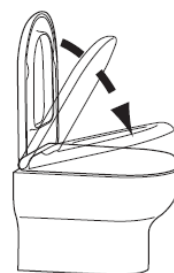
Clean with warm, soapy water only. Do not use scourers, abrasive or chemical cleaners



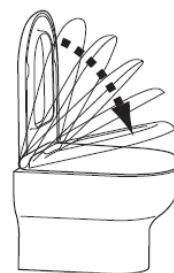
To adjust the speed that the seat and cover fall, remove the hinge pins, rotate them and replace them as in the illustrations to the right. **N.B. One hinge pin operates the cover, one operates the seat. It is important to adjust the hinges separately to get the required speed of closure.**



Rotating so that the hole in the hinge pin is **further from the front of the seat** will make the seat and cover close **more slowly**.

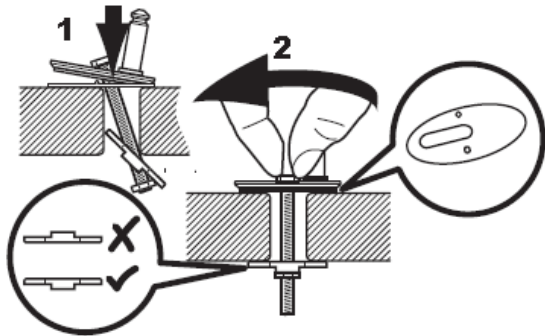


Rotating so that the hole in the hinge pin is **closer to the front of the seat** will make the seat and cover close **more quickly**.



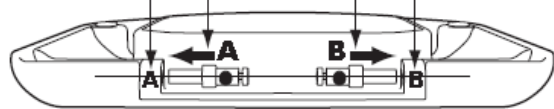
Please note, over time it may be necessary to adjust the hinges to compensate for wear

Assembly Instructions Soft Close Toilet Seat

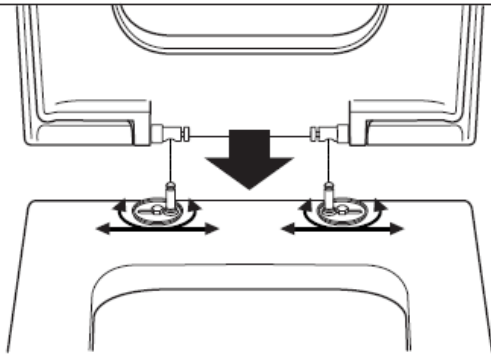


1. Assemble the hinge and gasket and slide the tab and bolt through the pan until it engages on the underside. Finger tighten only. Ensure the tab is the correct way up.

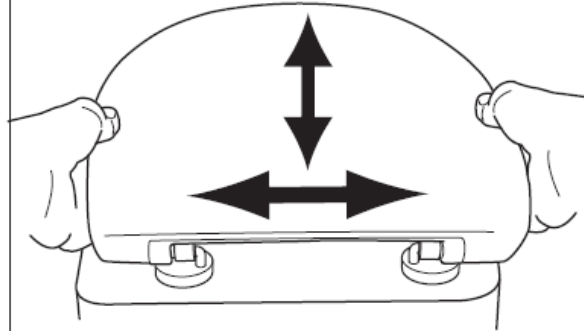
N.B. The lugs and hinge pins are both marked A&B



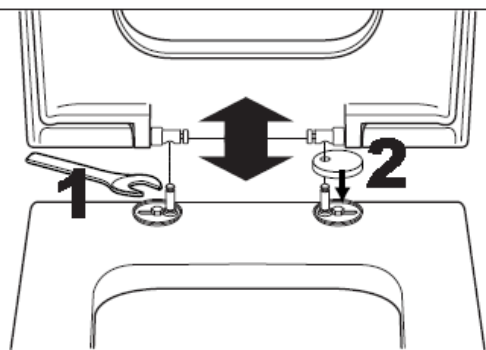
2. Push the hinge pins into the seat/cover lugs. **Please ensure that the pins marked A&B are in the correct side.** The holes in the pins should line up correctly.



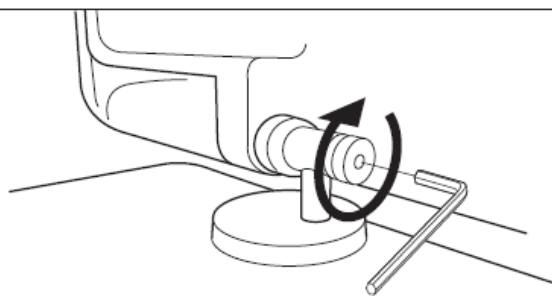
3. Lower the seat/cover onto the pan, engaging the hinge pins with the hinge bases. The position of the hinge bases may need to be adjusted to allow this.



4. Adjust the hinges to centralise the seat on the pan and to allow the correct degree of seat/cover overhang at the front.



5. Once adjusted, remove the seat/cover and tighten the bases with a spanner. Clip the hinge covers in place before replacing the seat/cover. Care should be taken not to overtighten the fixings.



6. Use the hexagon key to tighten the hinge pins. Check that the seat and cover are secure before use.