

Biodrier BioLite

Hand dryer

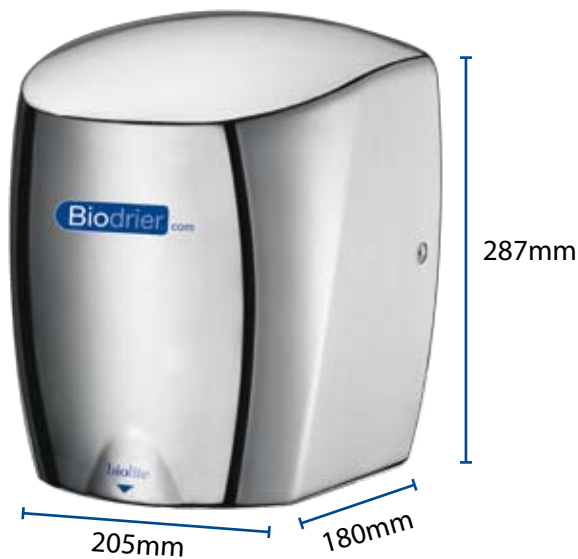
Automatic



High Speed

Surface Mounted High Speed Hand Dryer

Operating Instructions and Parts Manual (Automatic)



Technical Specifications

Item Category	Performance Data
Operating Voltage	220 - 240Vac, 50Hz, 650 - 900 WATTS (heater off/on)
Warm Air Speed Output	64 m/s
Air Output Temperature	77°F (25°C) - Ambient Temperature 68°F (20°C)
Motor Type	23,000 rpm, Brush Type, Dual Bearings
Motor Thermal Protection	Auto Resetting Thermostat turns unit off, 240V at 221°F (105°C) - EURO Spec
Heater Element	250W
Heater Thermal Protection	Auto Resetting Thermostat turns unit off at, 149°F (65°C)
Drying Time	Less than 15 seconds
Circuit Operation	Infrared Automatic, self adjusting
Sensor Range	100 mm
Timing Protection	60 seconds auto shut off
Drip Proof	IP22
Isolation	CLASS 1
Net Weight	4.5 kg
Shipping Weight	5 kg
Unit Size	205mm W x 287mm H x 180mm D
Item Code	Cover Type/Finish
BJ09W	Die Cast Aluminium; Epoxy Polyester Powder Coating (White)
BJ09S	Die Cast Aluminium; Epoxy Polyester Powder Coating (Silver)
BJ09C	Die Cast Aluminium; Bright Chrome

Surface Mounted High Speed Hand Dryer

Operating Instructions and Parts Manual (Automatic)

General Safety Information

WARNING

This product is intended for installation by a qualified service person. Use AWAG No.16 solid conductor for wiring.

Failure to properly ground unit could result in electrical shock and/or death.

Disconnect power at the service breaker before installing or servicing.

NOT FOR HOUSEHOLD USE - MAY CAUSE BURNS
"IMPROPRE A L'USAGE DOMESTIQUE - PUET OCCASIONNER."

All units must be supplied with a 3-wire service. The ground wire must be connected with the dryers back plate.

NOTE: Do not install dryer over wash basin.

Type Y attachment

If the power supply cord is damaged, it must be replaced by the manufacturer or its service agent or a similar qualified person in order to avoid a hazard.

Means for disconnection must be incorporated in the fixed wiring in accordance with the wiring rules.

Installation

1. Make sure power supply breaker is switched off. Installation must be carried out in accordance with the current edition of the local wiring regulations code having jurisdiction. Installation should be performed only by a qualified electrician.

2. Place template against wall at desired height (see mounting height recommendations) and mark locations of 4 mounting holes and wire service entry at knockout (KO) location.

NOTE: For two or more dryers, dryers should be no closer than 24 inches (610 mm) on centre.

3. Remove and retain 2 cover screws and cover.

4. Connect supply wires to terminal block where indicated and connect ground wire to baseplate with ground screw.

Connections:

- a. Connect the live wire (coloured red or brown) to the terminal block marked "L".
- b. Connect the neutral wire (coloured black or blue) to the terminal block marked "N".
- c. Connect the ground wire (coloured green or green and yellow) to the green screw marked "⊕".

Note that the colour of live and neutral wires depends on voltage of supply service.

5. Replace cover. Do not over-tighten screws.

Surface Mounted High Speed Hand Dryer

Operating Instructions and Parts Manual (Automatic)

Recommended Mounting Heights

From floor to bottom of dryer.

Men's	Ladies	Children, ages 11-17	Children, ages 3-10	Disabled
43"	41"	39"	33"	35"
109 cm	104 cm	99 cm	84 cm	89 cm

Cleaning and Maintenance

Periodic cleaning of the unit is recommended to ensure optimum performance.

1. Disconnect electrical supply.
2. Remove the two cover-mounting screws
3. Remove the cover
4. Clean all dust lint from the interior of the dryer.
5. Wipe the cover with a damp cloth and mild cleaning solution. Do not soak. Never use abrasives to clean the cover.
6. Replace the cover. Do not over tighten the screws.



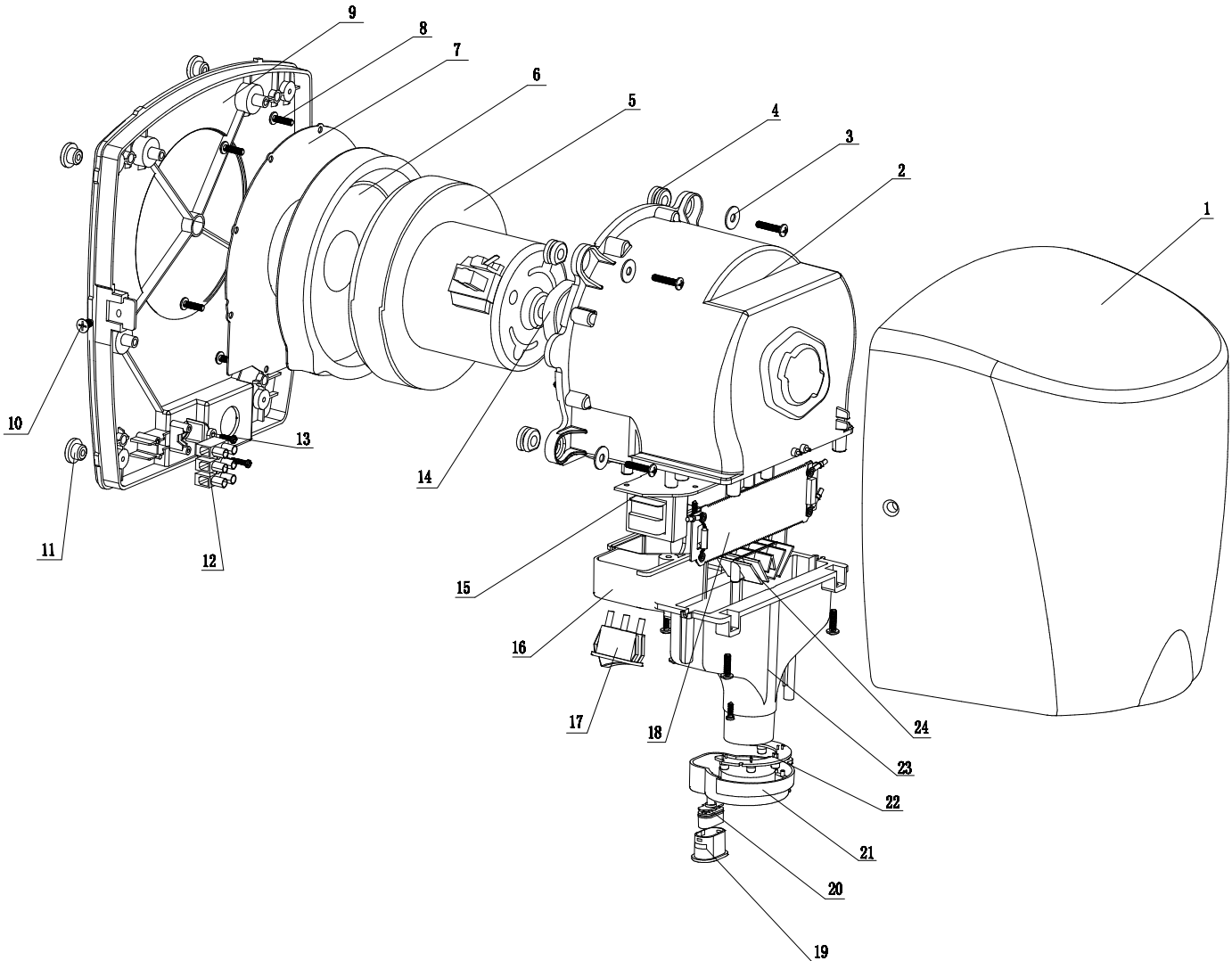
Operation

- No touch operation.
- Shake excess water from hands.
- Place hands under the outlet to start operation.
- Rub hands lightly and rapidly.
- Stops automatically after hands are removed.

Surface Mounted High Speed Hand Dryer

Operating Instructions and Parts Manual (Automatic)

Diagram and Parts List



- | | | | |
|-----|--------------------------|-----|----------------------|
| 1. | Die Cast Cover | 13. | Cable Clamp |
| 2. | Motor Housing | 14. | Motor Rubber |
| 3. | Rubber Washers | 15. | Circuit Board Module |
| 4. | Shock Absorber | 16. | Circuit Board Cover |
| 5. | Motor | 17. | Heater Switch |
| 6. | Blower Housing | 18. | Heating Element |
| 7. | Blower Mounting Plate | 19. | Sensor Screen |
| 8. | Mounting Plate Screws | 20. | Sensor Module |
| 9. | Base Plate | 21. | Sensor Bracket |
| 10. | Cover Screws | 22. | LED Module |
| 11. | Nylon Brushes | 23. | Air Outlet Baffle |
| 12. | Electrical Thermal Block | 24. | Baffle Plate |



Biodrier. com



FW3 LTD, Biodrier
West Hill, Exeter, EX11 1LQ
tel: +44(0)1404 814292 • email: sales@biodrier.com

