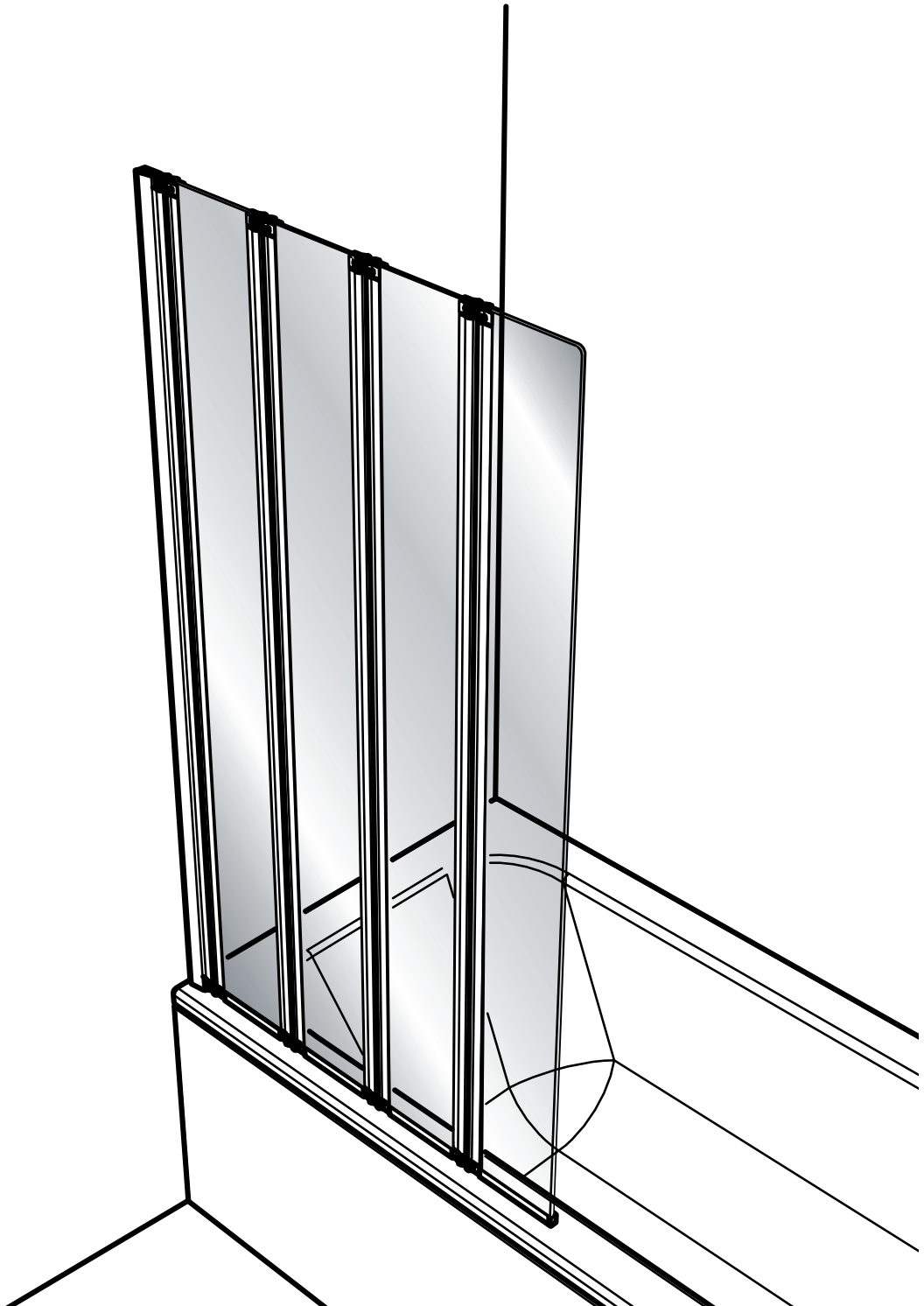


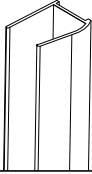
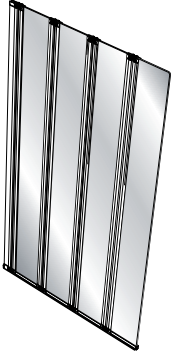
Assembly Instructions

Semi-Frameless 4 Fold Bath Screen

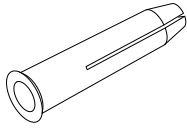
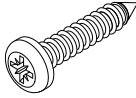
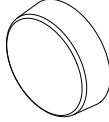
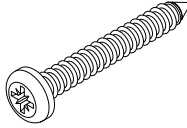


Ref:	IN00221
Issue No.:	1
Date:	150708

Parts Supplied

Ref	Description	Illustration	Qty
A	Wall Channel		1
B	Bath Screen		1

Fittings Supplied

Ref	Description	Illustration	Qty
C	Wall Plug		3
D	No.8 x 3/8" Screw		3
E	Screw Cover Cap		3
F	No.8 x 1 3/4" Screw		3

Tools Required (not supplied)

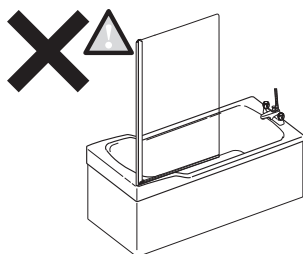
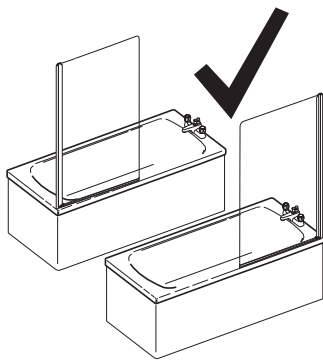
Pencil
Spirit level
Tape Measure
Cross Head Screwdriver
Power Drill
Suitable 6mm drill bit
3.5mm HSS drill bit
Silicone Gun & Sealant

Before You Start

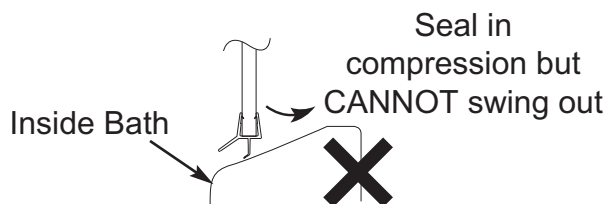
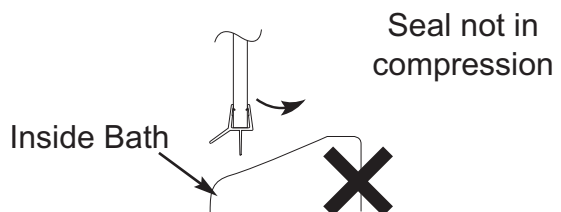
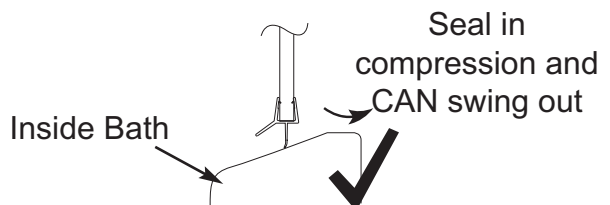
Before starting we recommend the following checks:

- Check that the bath has been installed correctly and that it is level, tiled down onto and sealed to the manufacturer's guidelines.
- Check that there is sufficient space on the bath for the product and that the screen movement does not foul other items such as sinks and taps.
- Ensure the product is fitted to a non-porous surface i.e. tiled.
- Unpack and check the product is complete and undamaged.
- Ensure the area is clean, dry and dust free.
- Have the correct tools available.
- Read the instructions in full.
- When drilling walls check first for hidden pipes and cables.
- Note: Wall plugs supplied are for solid walls only; ensure correct wall plugs for wall types are used. If in doubt seek professional advice.

Assembly



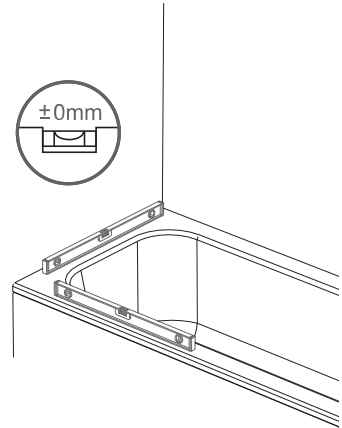
Positioning the screen on the rim of the bath.



Assembly

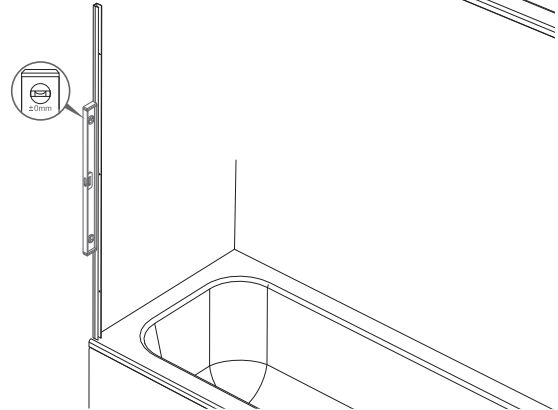
1. Ensure that the bath is level.

Fig.1



2. Position the wall channel (A) and mark position.
Ensure curved face of wall channel (A) faces outwards. (see **Fig.2.1**)

Fig.2



Drill 6mm holes with drill bit suitable for wall surface. Insert wall plugs (C). (see **Fig.2.2**)

Note; Wall plugs supplied are for solid walls only. Ensure correct wall plug for wall type are used. If in doubt seek professional advice.

Fix wall channel using cross head screwdriver and No.8 x 1 3/4" screws (F). (see **Fig.2.3**)

Use spirit level to ensure wall channel is level. (see **Fig.2**)

Fig.2.1

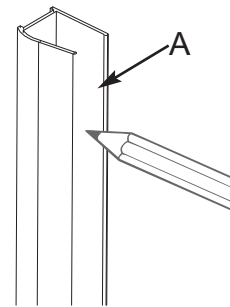


Fig.2.2

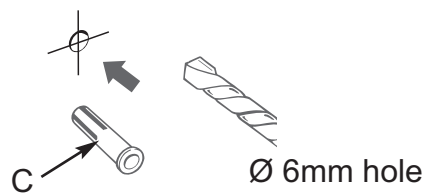
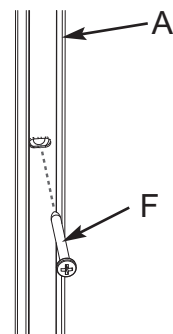
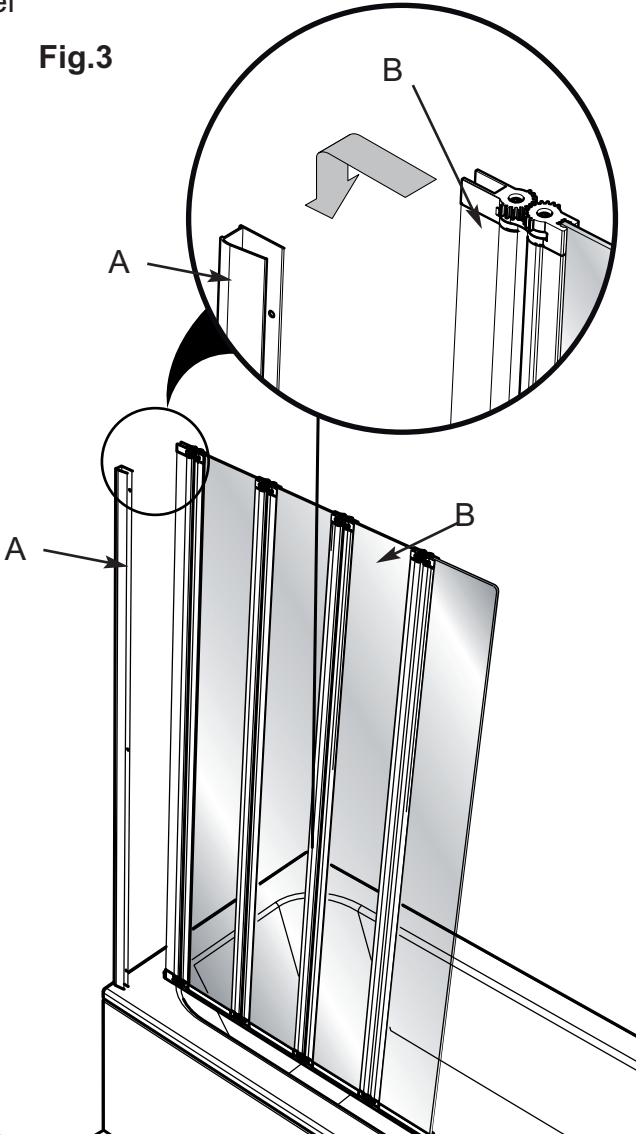


Fig.2.3



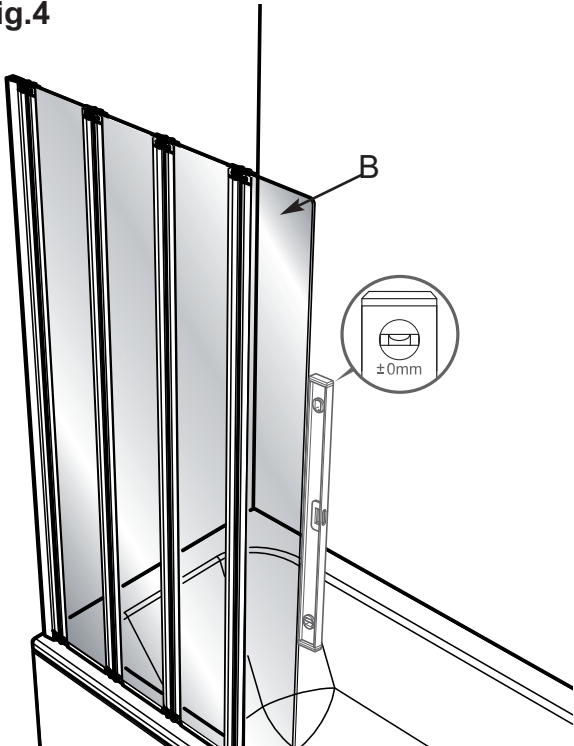
3. Drop bath screen (B) into wall channel (A).(see Fig.3)

Fig.3



4. Use a spirit level to ensure front edge of glass in vertical (see Fig.4)

Fig.4

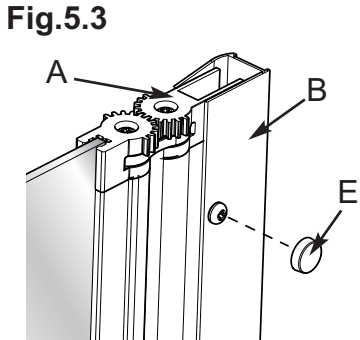
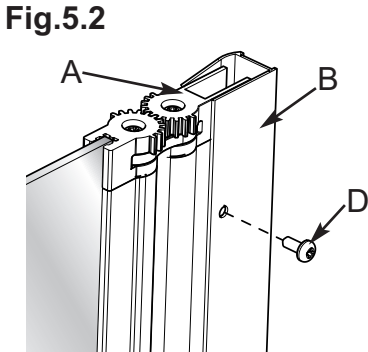
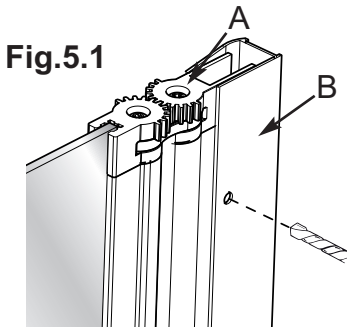
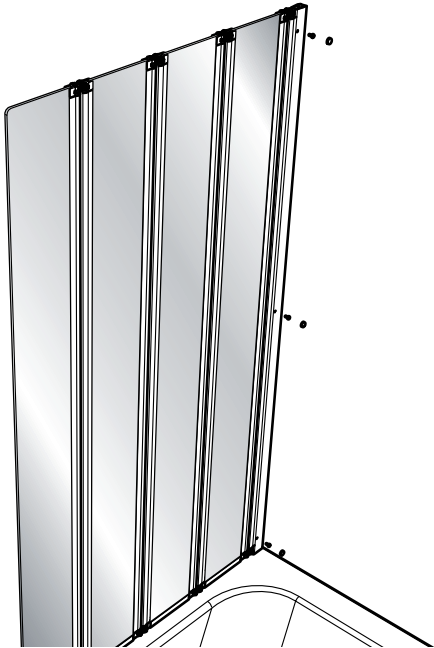


5. Drill 3.5mm dia. pilot holes using HSS drill bit. (see **Fig.5.1**)

Fig.5

Fix bath screen (B) to wall channel (A) by using a cross head screwdriver and No.8 x 3/8" screws (D). (see **Fig.5.2**)

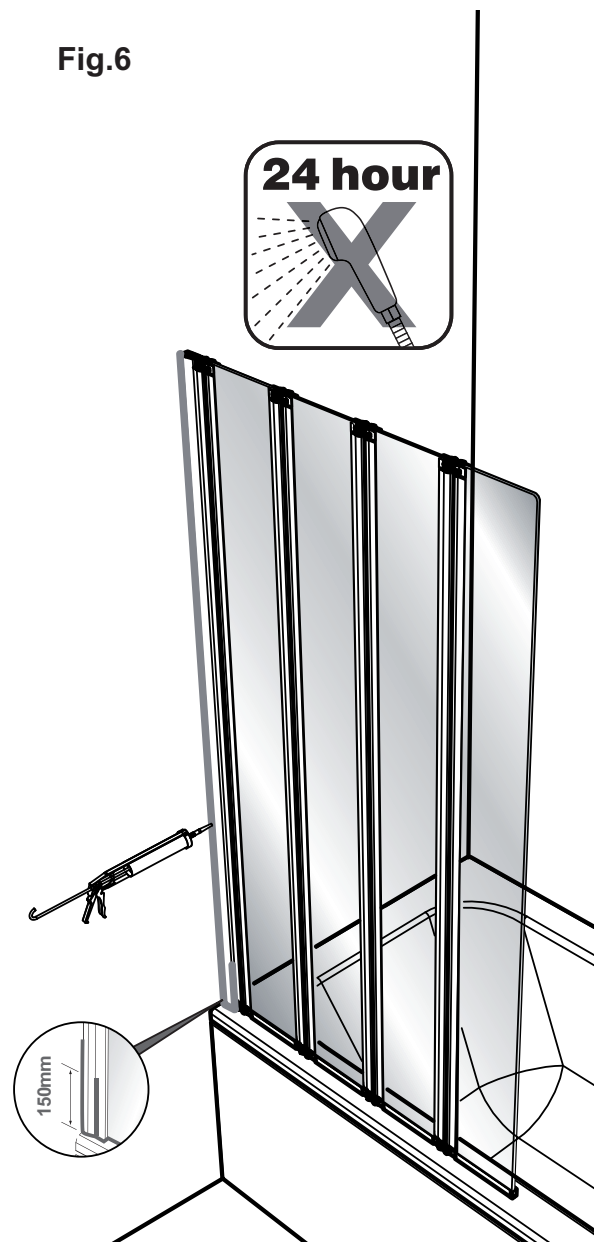
Cover screw heads using screw cover caps (E), (see **Fig.5.3**)



6. Apply silicone sealant along areas shown using silicone gun. (see Fig.6)

Fig.6

DO NOT use for 24 hours.



Care & Use

- Handle unframed glass panels with care - support on cardboard to avoid risk of breakage.
- Use a non abrasive cleaner. Water marks may be removed with a proprietary lime scale remover or household vinegar.
- This product contains glass toughened that conforms to EN 12150-1 and if damaged should not be replaced with any other type of glass.