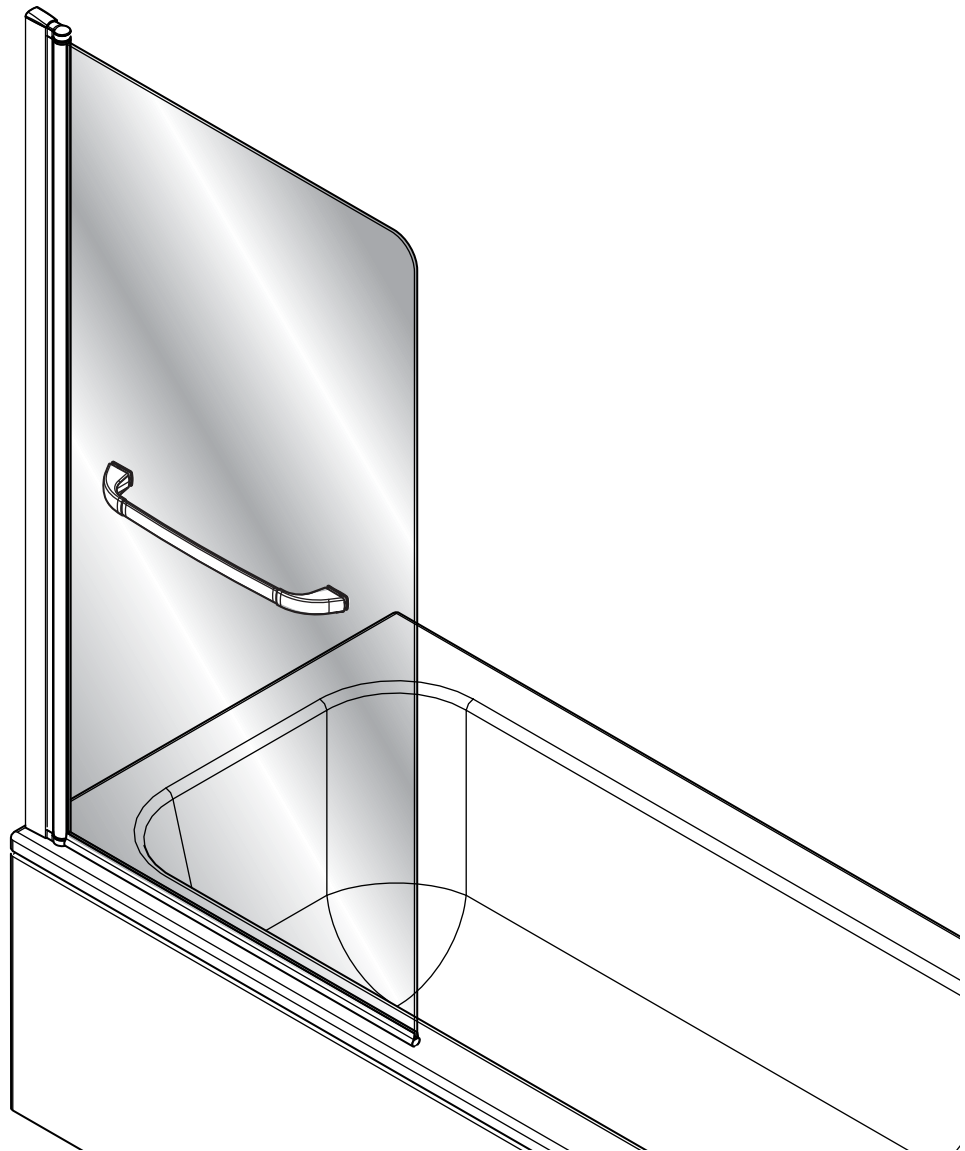


# Assembly Instructions

## Half Frame Radius/ Sail/ Oval Bath Screen

---



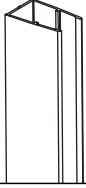
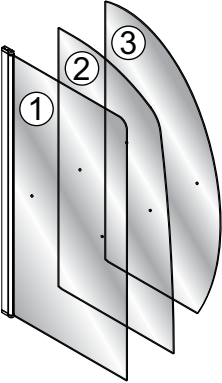
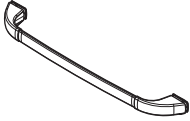
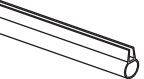

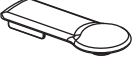
---

Ref: IN00231





Issue No.: 3

Date: 141009

## Parts Supplied

Ref	Description	Illustration	Qty
A	Wall Channel		1
B	Glass Panel ① Radius Screen ② Sail Screen ③ Oval Screen  Please Note: One design variant only supplied.		1
C	Towel Rail		1
D	Horizontal Seal		1
E	Wall Channel Cap		1
F	Vertical Stile Cap		1

## Fittings Supplied

Ref	Description	Illustration	Qty
G	Wall Plug		3
H	No.8 x 3/8" Screw		3
I	Screw Cover Cap		3
J	No.8 x 1 3/4" Screw		3

## Tools Required (not supplied)

Pencil  
Spirit level  
Tape Measure  
Cross Head Screwdriver  
Power Drill  
Suitable 6mm Drill Bit  
3mm HSS Drill Bit  
Silicone Gun & Sealant

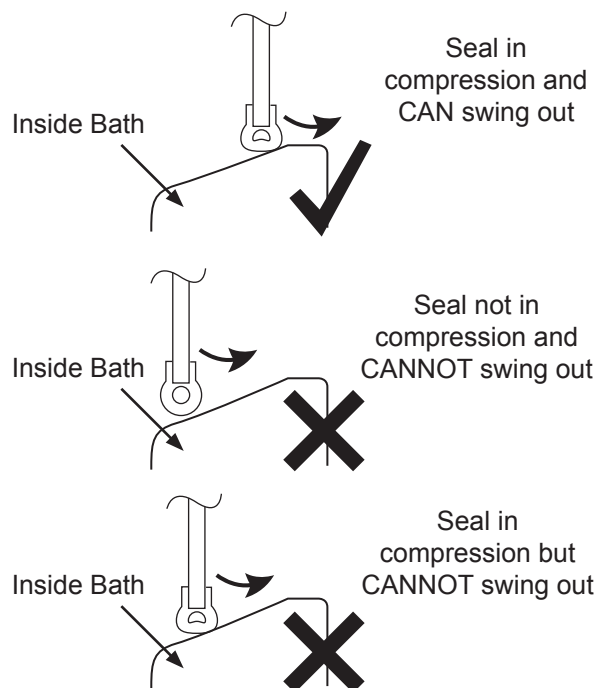
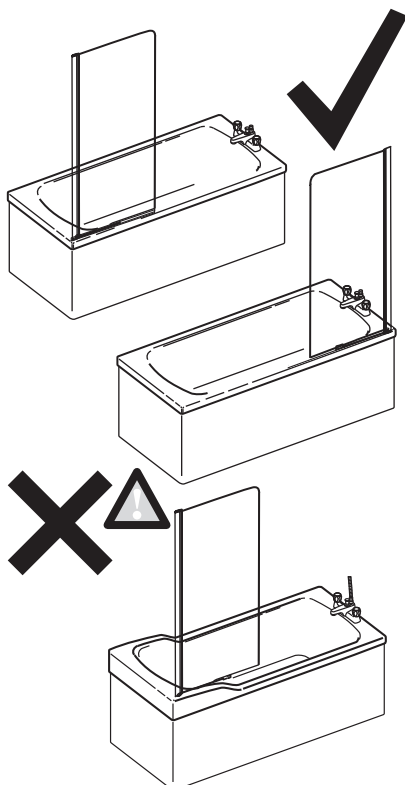
## Before You Start

Before starting we recommend the following checks:

- Check that the bath has been installed correctly and that it is level, tiled down onto and sealed to the manufacturer's guidelines.
- Check that there is sufficient space on the bath for the product and that the screen movement does not foul other items such as sinks and taps.
- Ensure the product is fitted to a non-porous surface i.e. tiled.
- Unpack and check the product is complete and undamaged.
- Ensure the area is clean, dry and dust free.
- Have the correct tools available.
- Read the instructions in full.
- When drilling walls check first for hidden pipes and cables.
- Note: Wall plugs supplied are for solid walls only; ensure correct wall plugs for wall types are used. If in doubt seek professional advice.

## Assembly

Positioning the screen on the rim of the bath.



## Assembly

Please Note:

How to change the hand of the bath screen.

**Drain must be positioned facing inwards.**  
Before you start assembly.

1. Remove drain from top of glass screen (B).  
(see Fig.1)

Remove glass assembly from stile. (see Fig.1.2)

Fig.1

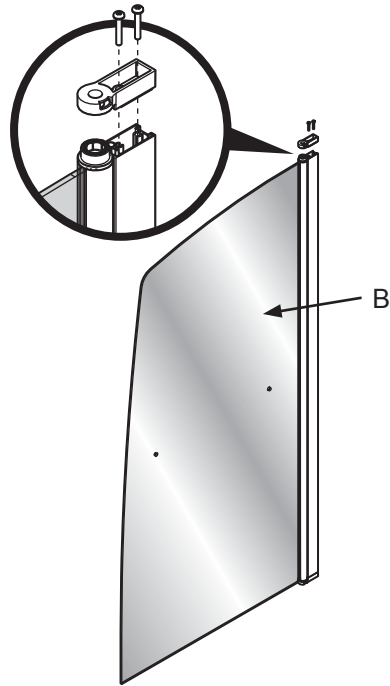
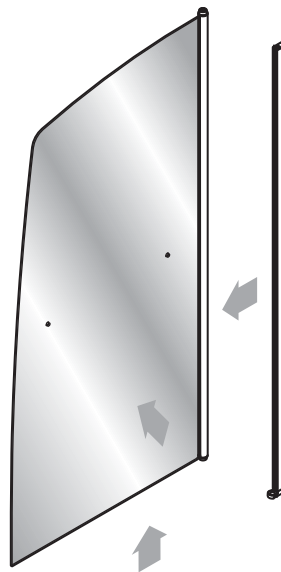


Fig.1.2



1. Rotate stile (see **Fig.1.3**)

The bottom drain should now be at the top with the drain facing inwards (see **Fig.1.4**)

Reposition glass assembly onto stile.(see **Fig.1.5**)

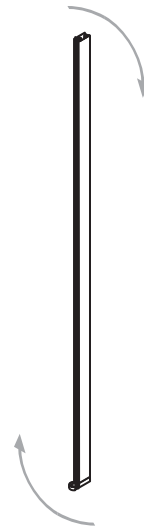
**Note;** Ensure correct orientation of glass as shown.

**Note;** Ensure top drain is facing inwards.

Reposition drain, now on to bottom of glass panel (B). (see **Fig.1.6**)

**Note;** Ensure bottom drain is facing inwards.

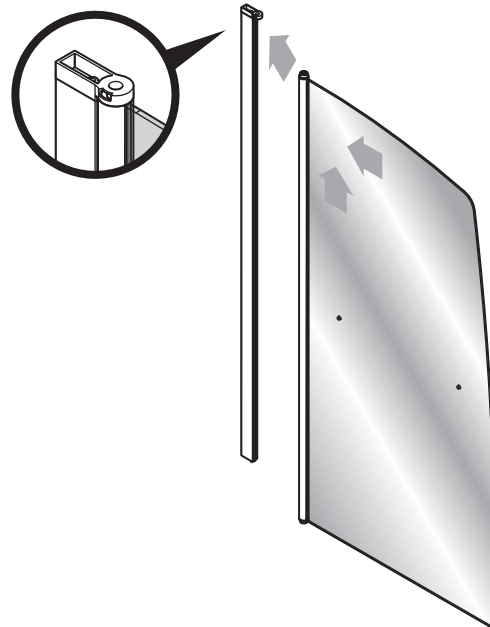
**Fig.1.3**



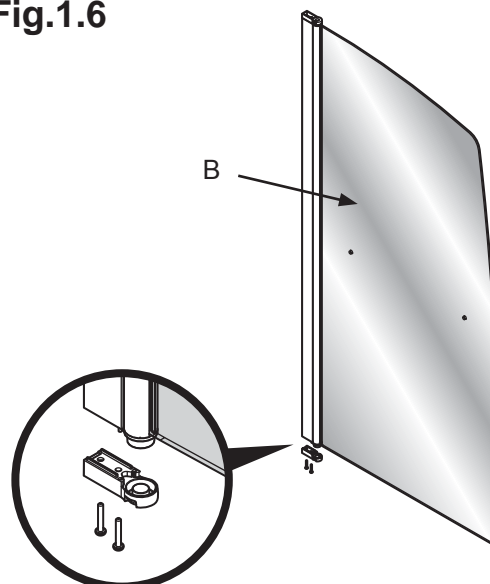
**Fig.1.4**



**Fig.1.5**

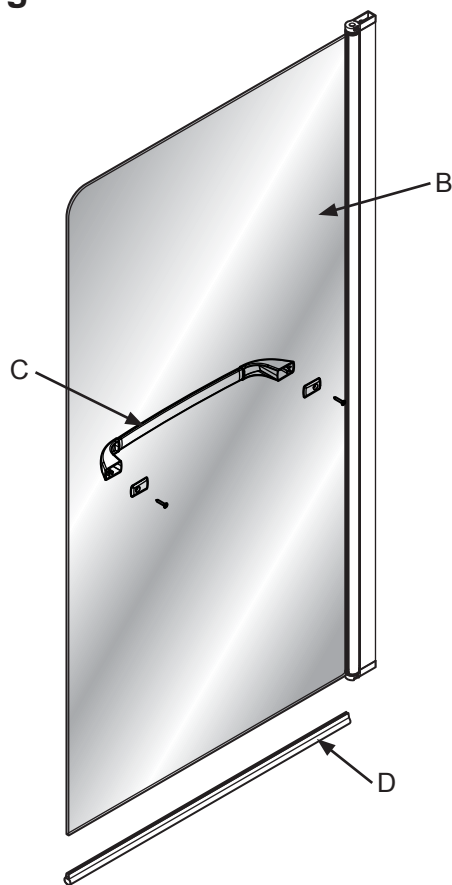


**Fig.1.6**

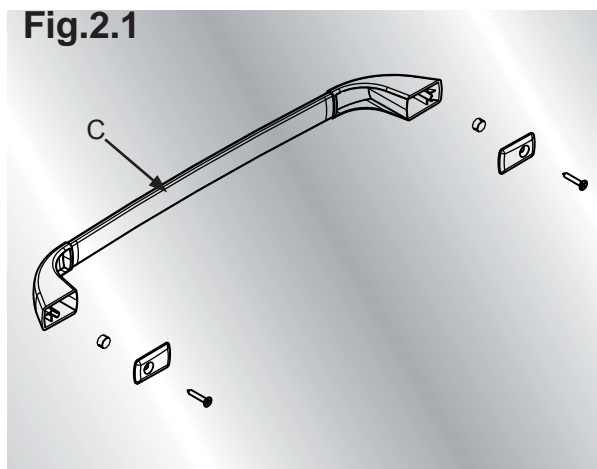


2. Assemble screen (**Fig.2**); Use a cross head screwdriver to disassemble towel rail (C). Fix towel rail (C) to glass screen (B) using fittings supplied. (**Fig.2.1**)  
Push fit horizontal bath seal (D) to bath screen. (**Fig.2.2**)

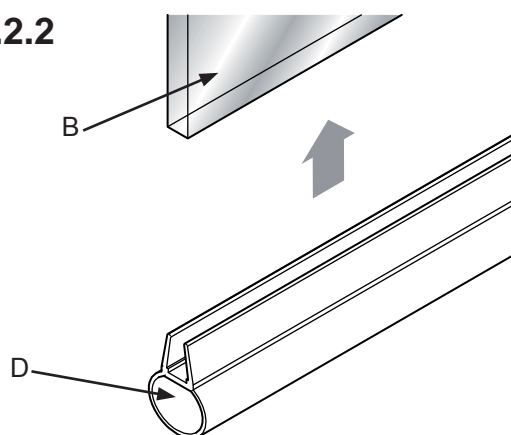
**Fig.2**



**Fig.2.1**



**Fig.2.2**



3. Ensure that the bath is level. (see Fig.3)  
Position the wall channel (A) and mark position. (see Fig.3.1)

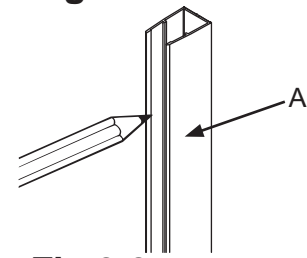
Drill 6mm dia. holes with drill bit suitable for wall surface. Insert wall plugs (G). (see Fig.3.2)

Note; Wall plugs supplied are for solid walls only. Ensure correct wall plug for wall type are used. If in doubt seek professional advice.

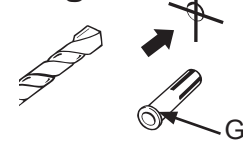
Fix wall channel using cross head screwdriver and No.8 x 1 3/4" screws (J). (see Fig.3.3)

Use spirit level to ensure wall channel is level. (see Fig.3)

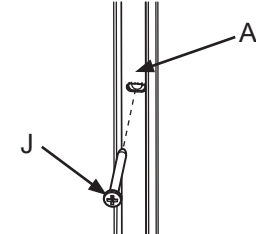
**Fig.3.1**



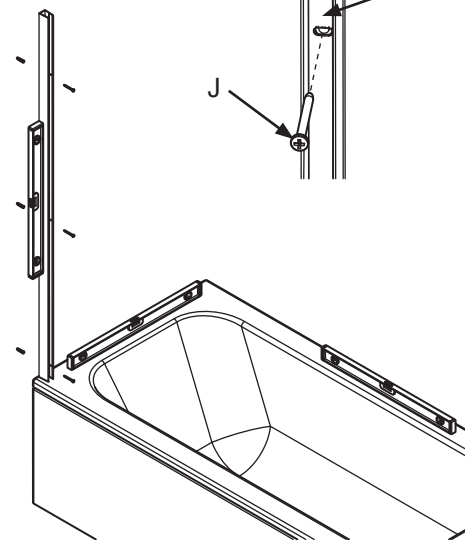
**Fig.3.2**



**Fig.3.3**

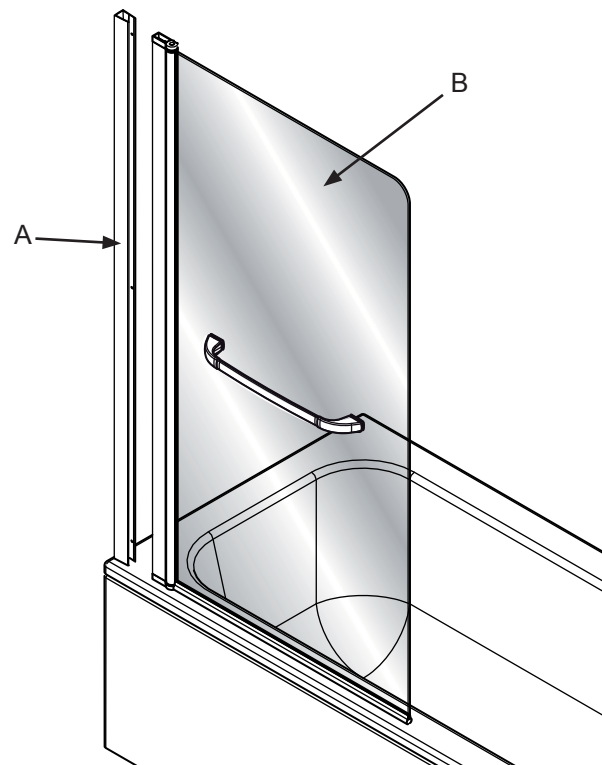


**Fig.3**



4. Position assembled glass screen (B) into wall channel (A). (see Fig.4)

**Fig.4**



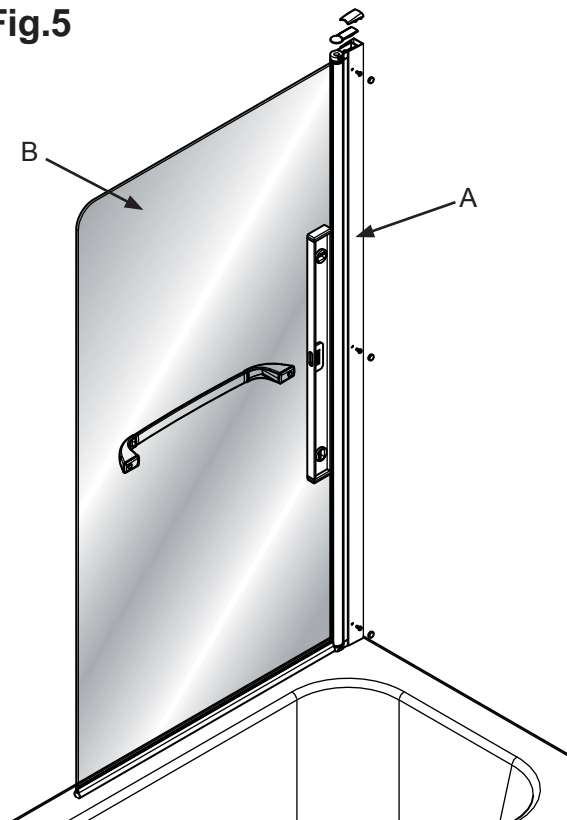
5. Use spirit level to ensure glass panel (B) is level. (see **Fig.5**)

Use 3mm HSS drill bit to drill 3mm dia. pilot holes. (see **Fig.5.1**)

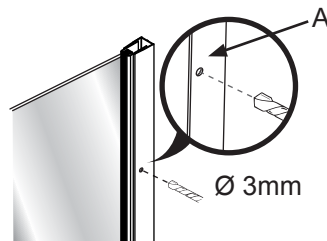
Fix glass panel (B) to wall channel (A) using cross head screwdriver and No.8 x  $\frac{3}{8}$ " screws (H). (see **Fig.5.2**)

Cover screw heads using screw cover caps (I). (see **Fig.5.3**)

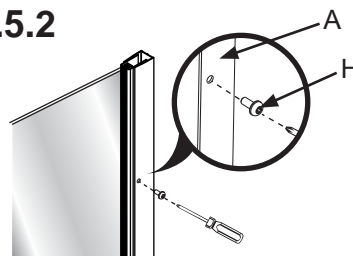
**Fig.5**



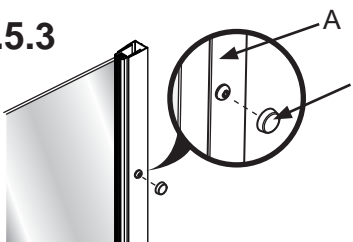
**Fig.5.1**



**Fig.5.2**



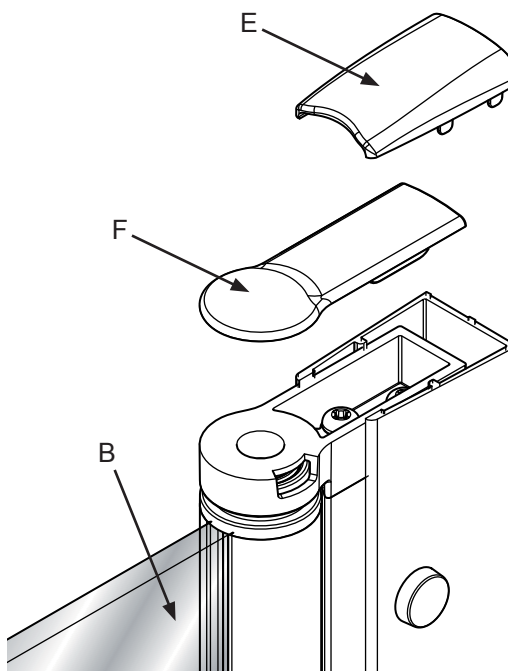
**Fig.5.3**





6. Snap vertical stile cap (F) and wall channel cap (E) onto top of glass screen (B) and wall channel (A). (see **Fig.6**)

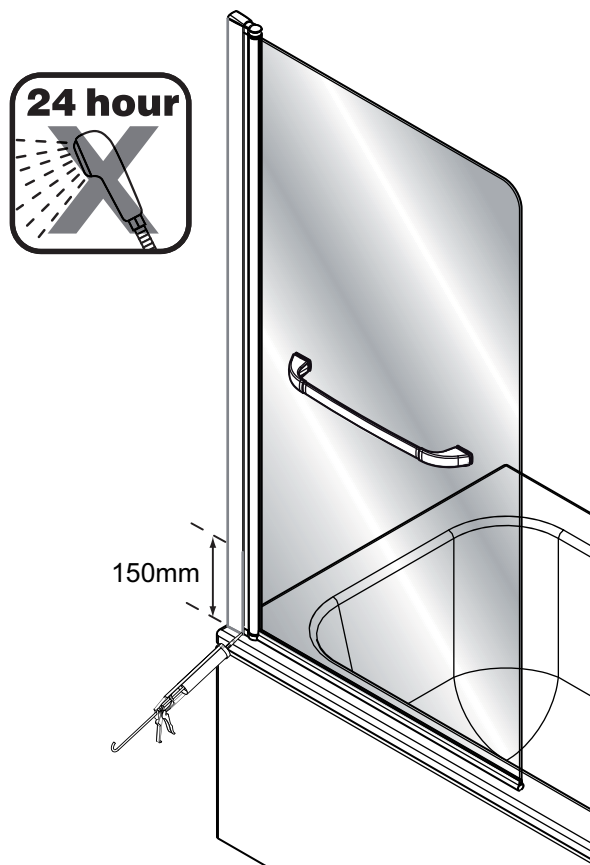
**Fig.6**



7. Apply silicone sealant along areas shown using silicone gun. (see **Fig.7**)

DO NOT use for 24 hours.

**Fig.7**



## Care & Use

- Handle unframed glass panels with care - support on cardboard to avoid risk of breakage.
- Use a non abrasive cleaner. Water marks may be removed with a proprietary lime scale remover or household vinegar.
- This product contains glass toughened that conforms to EN 12150-1 and if damaged should not be replaced with any other type of glass.