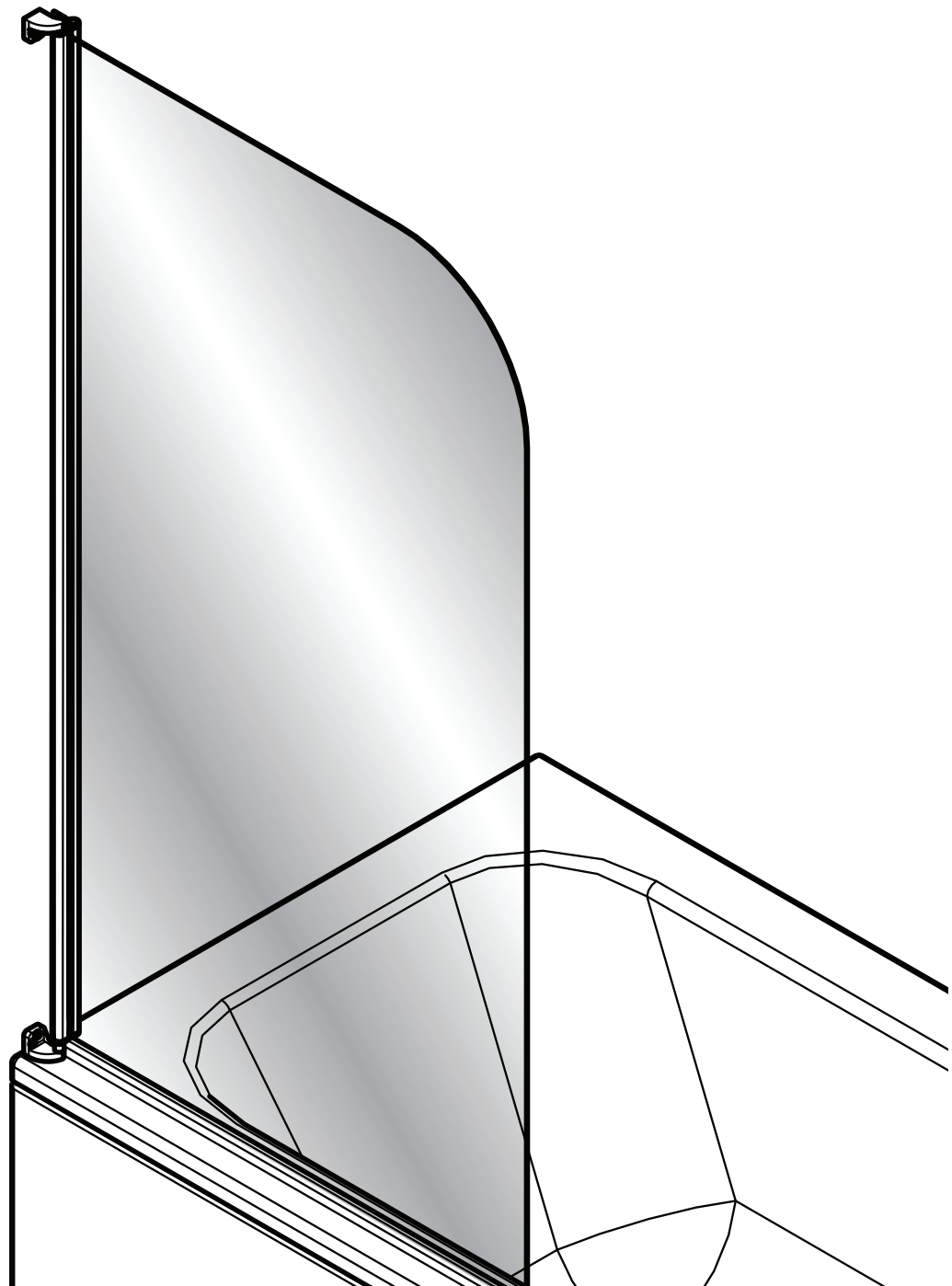


# Assembly Instructions **Half Framed Bath Screen**

---


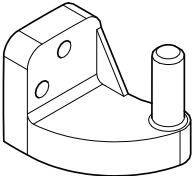
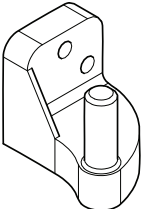


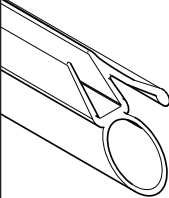


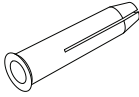
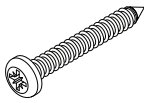
---

Ref:	IN00230
Issue No.:	2
Date:	040808

**Parts Supplied**

**Fittings Supplied**

Ref	Description	Illustration	Qty
A	Half Framed Bath Screen		1
B	Left Hand Bracket		1
C	Right Hand Bracket		1
D	Collar		1
E	Vertical Seal		1
F	Horizontal Seal		1

Ref	Description	Illustration	Qty
G	Wall Plug		4
H	No.8 x 1 3/4" Pan Head Screws		4

## Tools Required (not supplied)

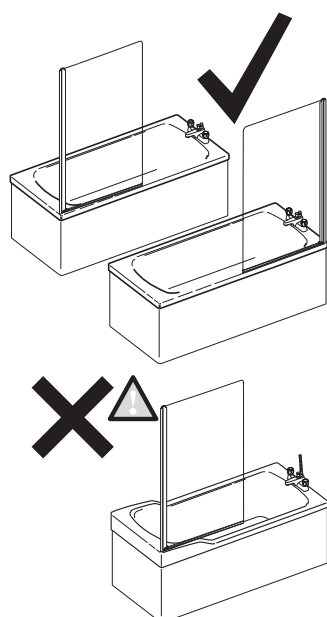
Pencil  
Spirit level  
Tape Measure  
Cross Head Screwdriver  
Power Drill  
Suitable 6mm Drill Bit  
3.5mm HSS Drill Bit  
Silicone Gun & Sealant  
Junior Hacksaw

## Before You Start

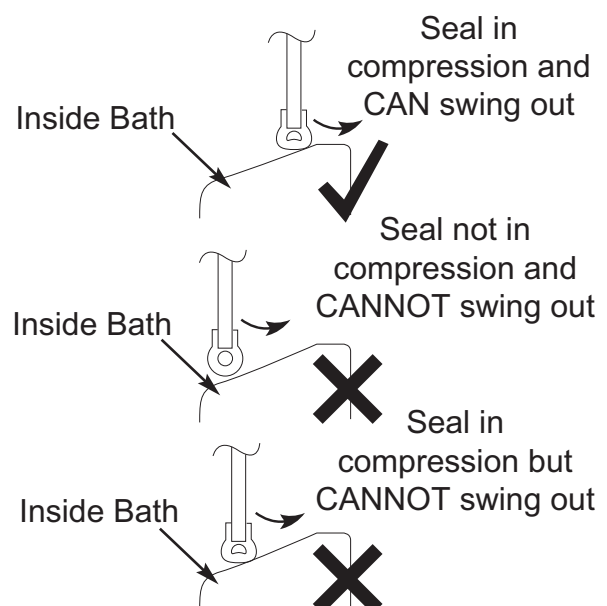
Before starting we recommend the following checks:

- Check that the bath has been installed correctly and that it is level, tiled down onto and sealed to the manufacturer's guidelines.
- Check that there is sufficient space on the bath for the product and that the screen movement does not foul other items such as sinks and taps.
- Ensure the product is fitted to a non-porous surface i.e. tiled.
- Unpack and check the product is complete and undamaged.
- Ensure the area is clean, dry and dust free.
- Have the correct tools available.
- Read the instructions in full.
- When drilling walls check first for hidden pipes and cables.
- Note: Wall plugs supplied are for solid walls only; ensure correct wall plugs for wall types are used. If in doubt seek professional advice.

## Assembly

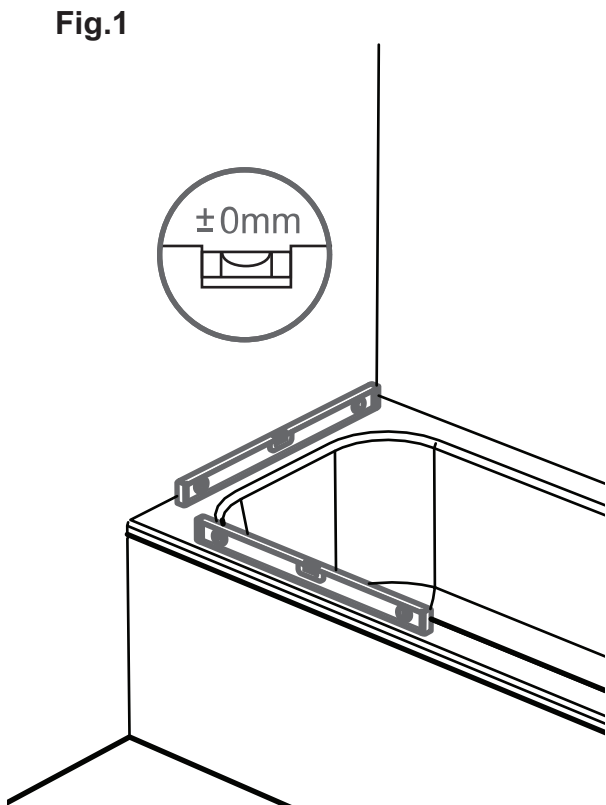


Positioning the screen on the rim of the bath.



## Assembly

1. Use spirit level to ensure bath is level. (see **Fig.1**)

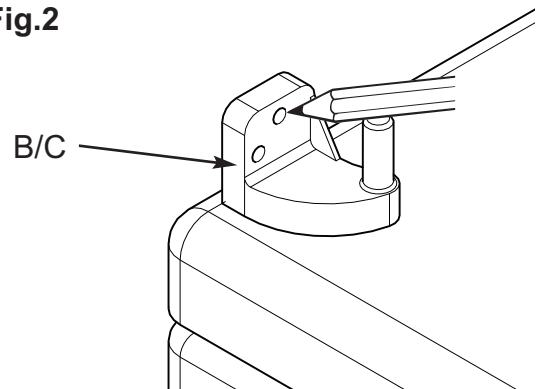


2. Position bottom bracket (B/C) and mark holes. (see **Fig.2**)

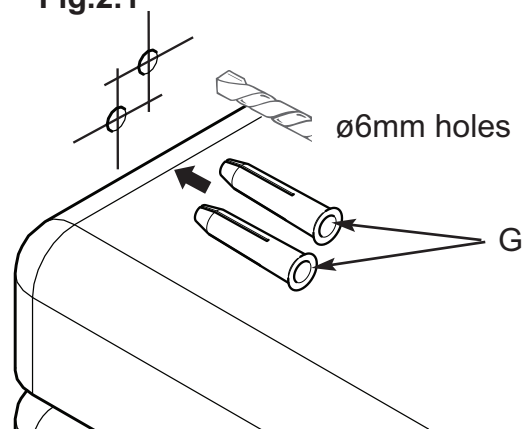
Remove bottom bracket, and drill 6mm dia. holes with drill bit suitable for wall type. Insert wall plugs (G). (see **Fig.2.1**)

**Note;** Wall plugs supplied are for solid walls only. Ensure correct wall plug for wall type are used. If in doubt seek professional advice.

**Fig.2**



**Fig.2.1**

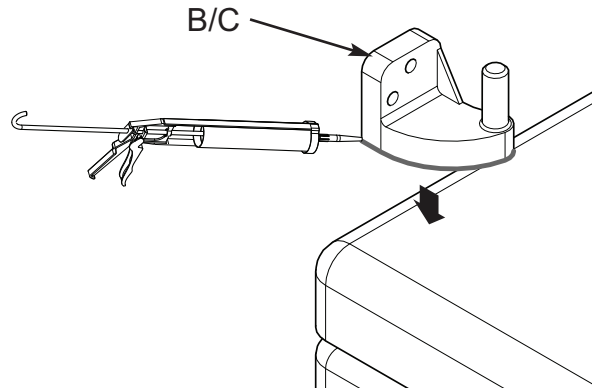


2. Apply silicone sealant to underside of bottom bracket (B/C) and re-position. (see **Fig.2.2**)

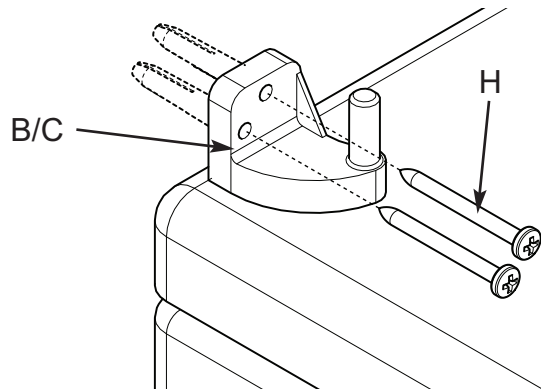
Using a crosshead screw driver fix bottom bracket (B/C) to wall using No.8 x 1 $\frac{3}{4}$ " pan head screws (H). (see **Fig.2.3**)

Drop collar (D) into position on bottom bracket (B/C). (see **Fig.2.4**)

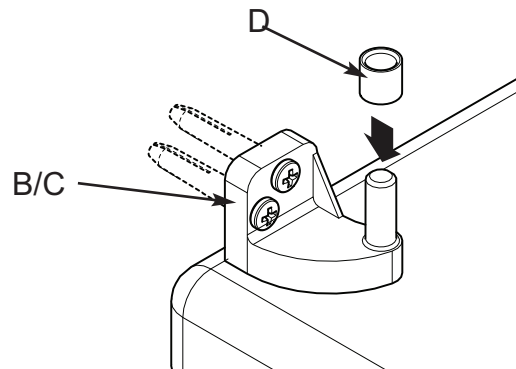
**Fig.2.2**



**Fig.2.3**



**Fig.2.4**



3. Assemble screen (see Fig.3)

Push fit vertical seal (E) onto glass (A). Using a junior hacksaw cut both vertical seal (E) to suit (see Fig.3.1)

Fig.3

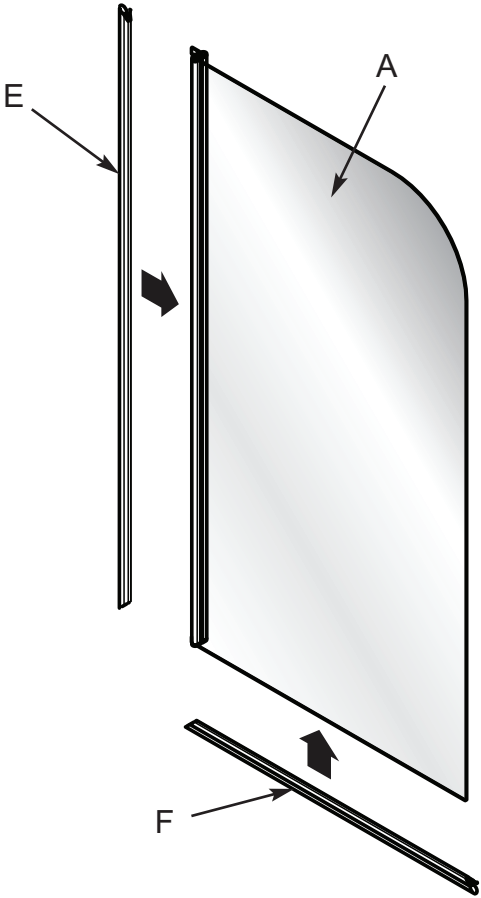
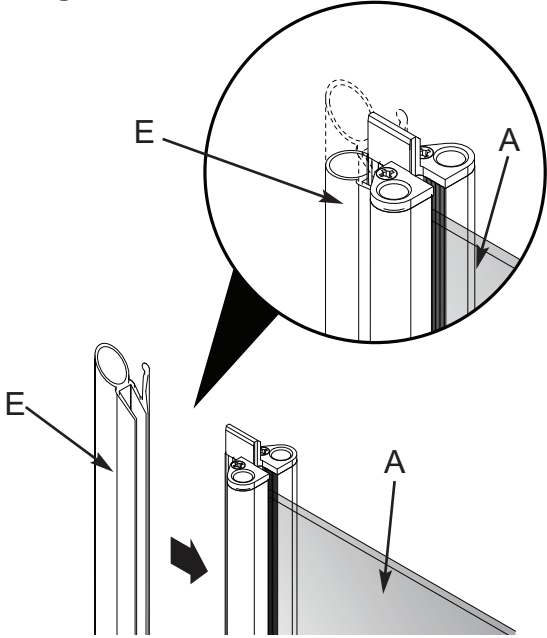


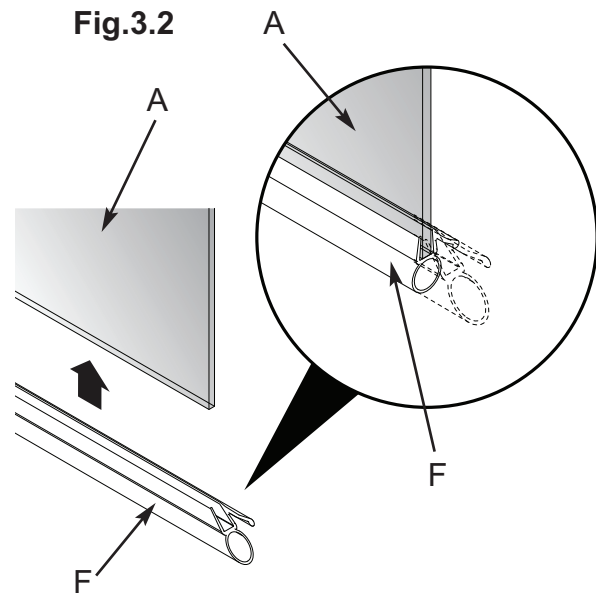
Fig.3.1



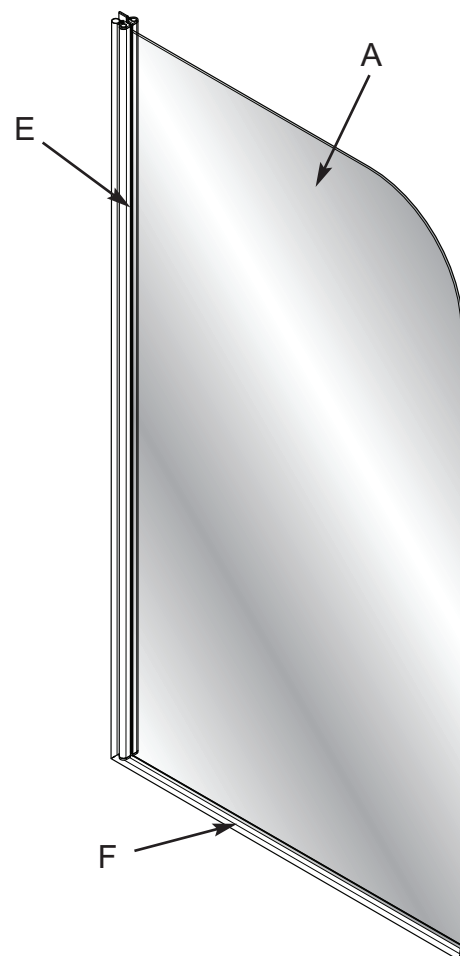
3. Push fit horizontal seal (F) onto glass (A). Using a junior hacksaw cut horizontal seal (F) to suit. (see **Fig.3.2**)

**Note;** Do not attempt to cut seal when it is fixed onto screen. For best results mark the cut position, remove seal, and then cut.

Observe correct assembly (see **Fig.3.3**)



**Fig.3.3**

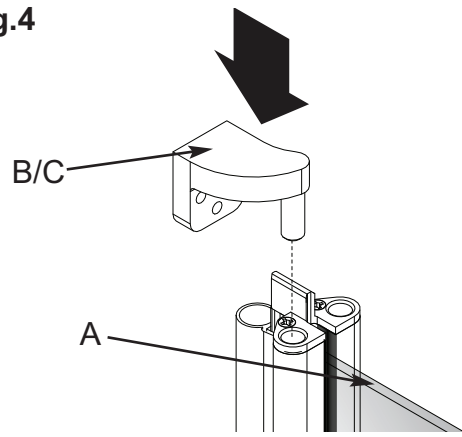


4. Drop top bracket (B/C) onto bath screen (A). (see **Fig.4**)

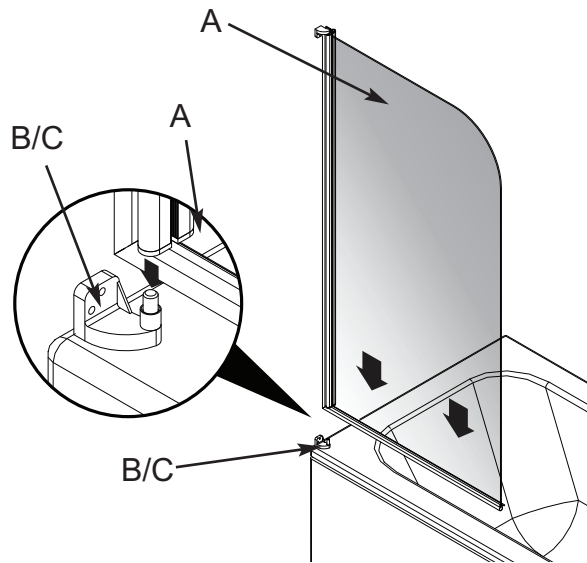
Position screen, drop bath screen (A) onto bottom bracket (B/C). (see **Fig.4.1**)

**Ensure bracket is fully inserted down into the hinge holder.**

**Fig.4**



**Fig.4.1**

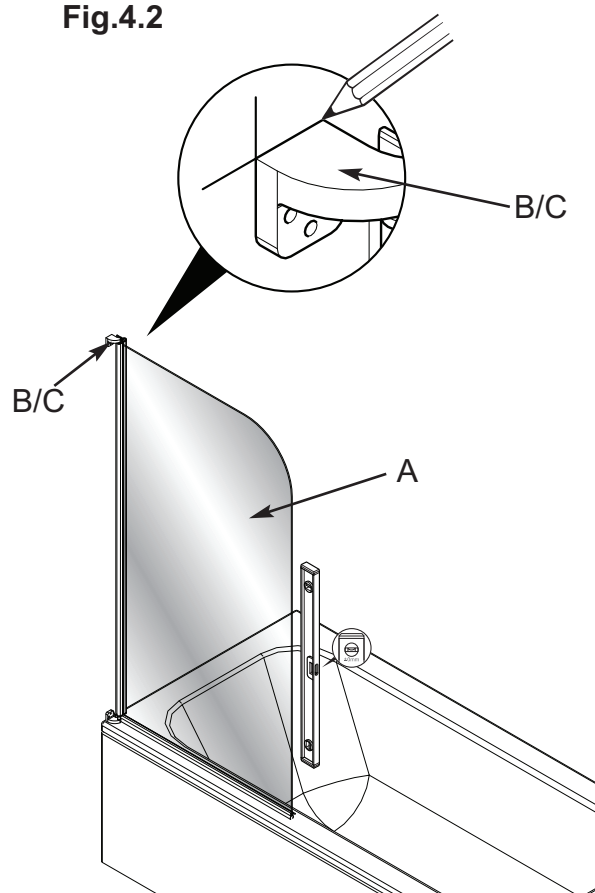




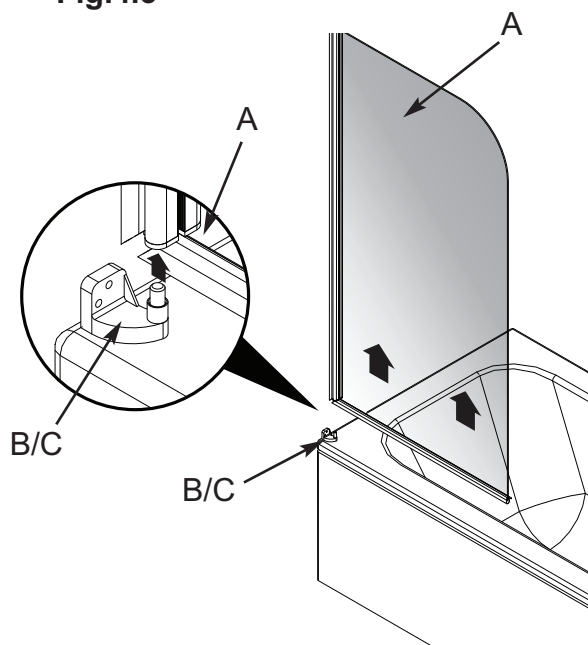
4. Ensure bath screen (A) is level, then mark top bracket (B/C) position. (see **Fig.4.2**)

Remove bath screen(A). (see **Fig.4.3**)

**Fig.4.2**



**Fig.4.3**



5. Re-position top bracket (B/C) onto wall and mark holes. (see **Fig.5**)

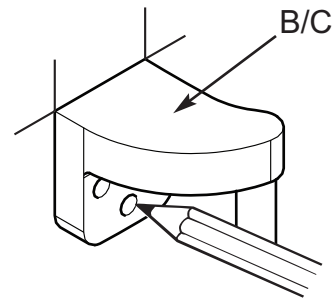
Remove top bracket, and drill 6mm dia. holes with drill bit suitable for wall type. Insert wall plugs (G). (see **Fig.5.1**)

**Note;** Wall plugs supplied are for solid walls only. Ensure correct wall plug for wall type are used. If in doubt seek professional advice.

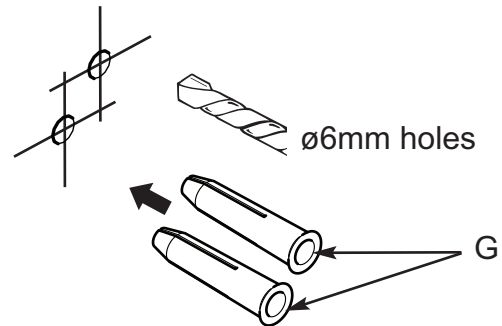
Push top bracket (B/C) back into position on bath screen (A). (see **Fig.5.2**)

Re-position screen, drop bath screen (A) onto bottom bracket (B/C). (see **Fig.5.3**)

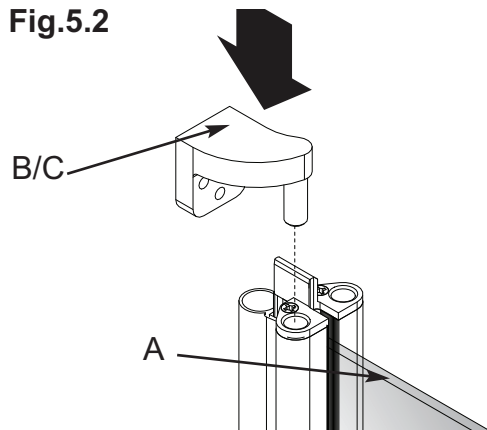
**Fig.5**



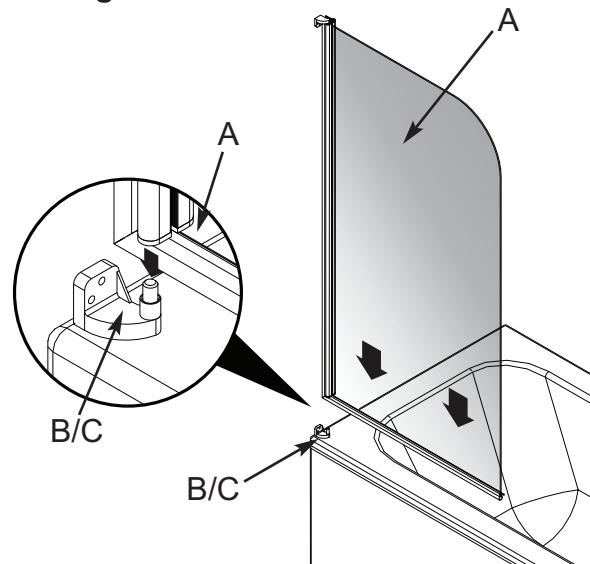
**Fig.5.1**



**Fig.5.2**

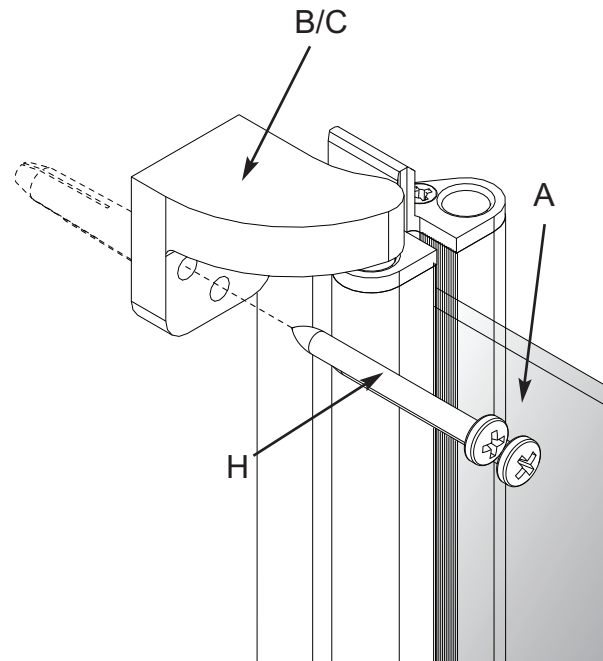


**Fig.5.3**



5. Using a crosshead screw driver fix bottom bracket (B/C) to wall using No.8 x 1<sup>3</sup>/<sub>4</sub>" pan head screws (H). (see Fig.5.4)

**Fig.5.4**



## Care & Use

- Handle unframed glass panels with care - support on cardboard to avoid risk of breakage.
- Use a non abrasive cleaner. Water marks may be removed with a proprietary lime scale remover or household vinegar.
- This product contains glass toughened that conforms to EN 12150-1 and if damaged should not be replaced with any other type of glass.