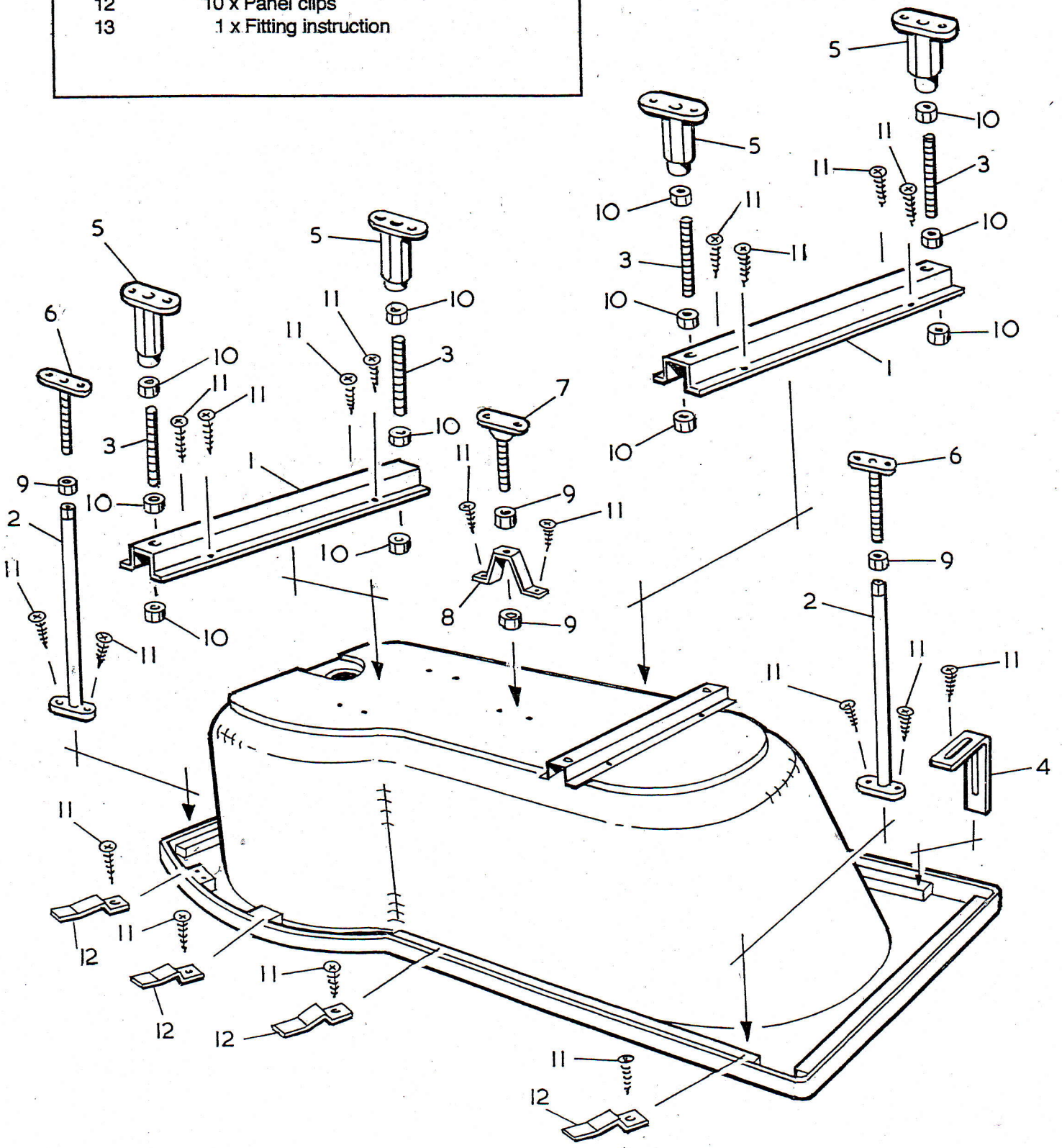
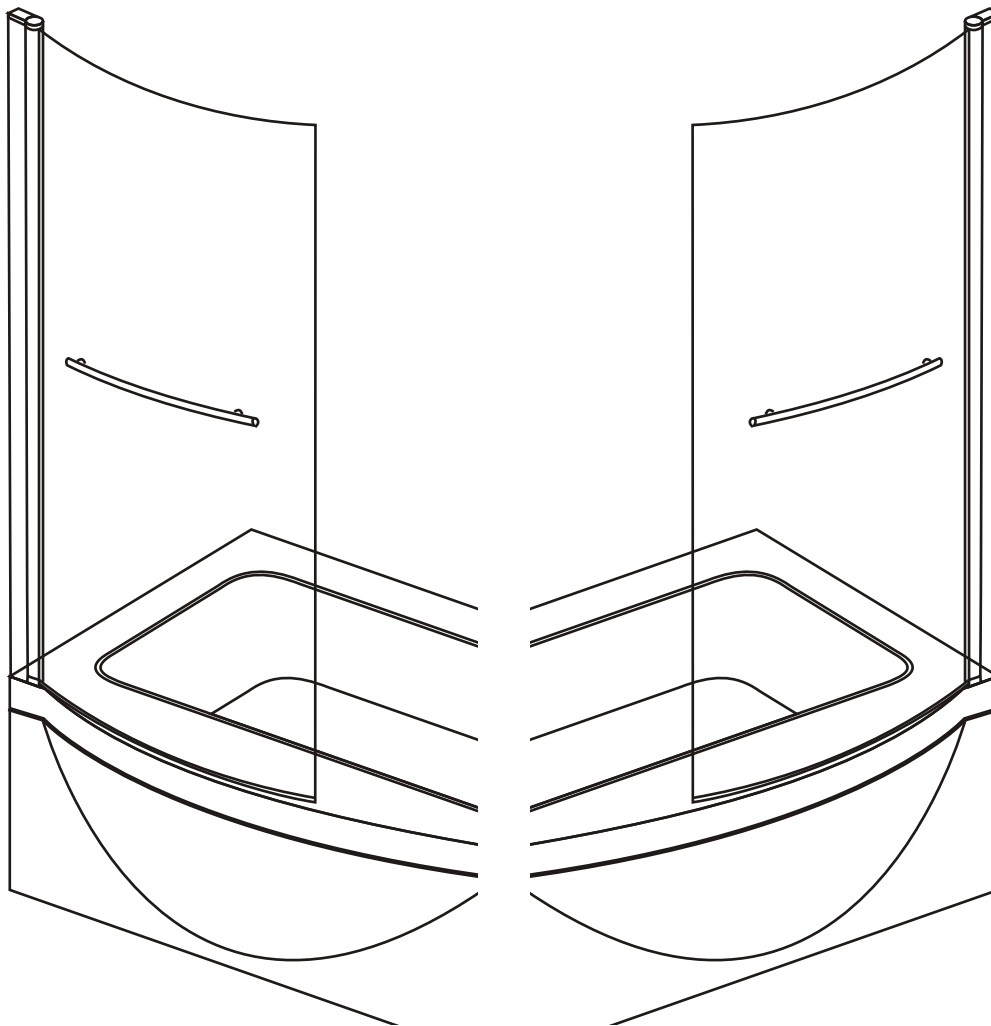


# CONCEPT

Item No.	No. off & Description
1	2 x 500 mm Channels
2	2 x 350 mm Jack legs
3	4 x 120 mm Allthreads
4	2 x Wall fixing brackets
5	4 x M12 x 65 Plastic feet
6	2 x M10 x 200 Metal feet
7	1 x M10 x 85 Metal foot
8	1 x Centre foot bracket
9	4 x M10 Nuts
10	12 x M12 Nuts
11	26 x 5/8" x 10 Hardened self taper screws
12	10 x Panel clips
13	1 x Fitting instruction



**Luxury Curved Over-bath  
Shower Screen  
760 x 1500mm  
INSTALLATION MANUAL**



Left-handed

Right-handed

**Reversible to suit both left- and right-handed baths**

# Contents

List of parts supplied, care & use	Page 3
Tools required (not supplied)	Page 4
Changing the door axles to fit a right-handed bath	Page 5
Installation	Pages 6 & 7

## Parts supplied

Please check the pack and make sure that you have all of the parts listed. If not, please contact your vendor

\*All dimensions are shown in millimeters, except where otherwise indicated.

\*Ensure that the bath screen is fitted to a level bath and a vertical wall surface.

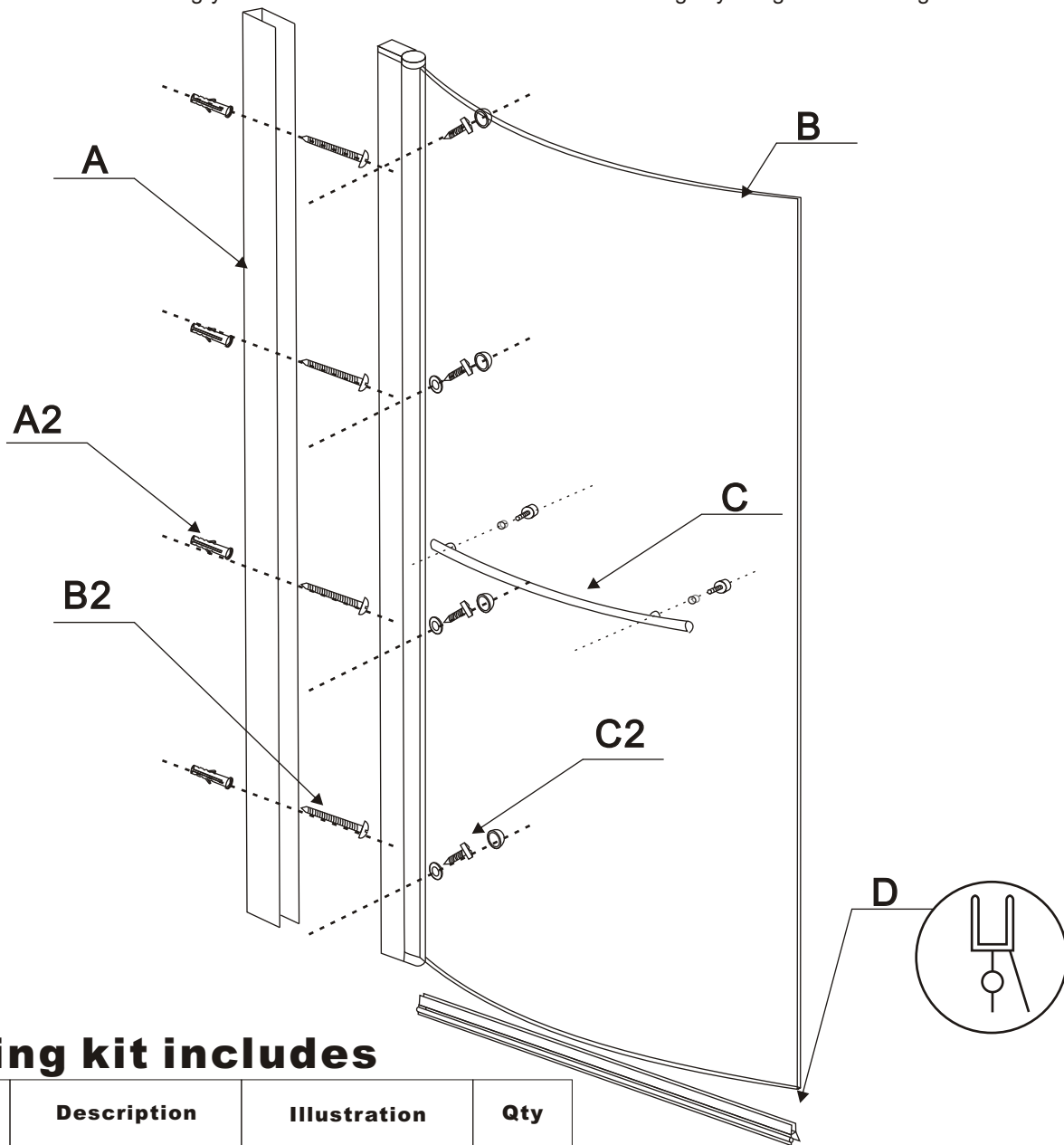
\*Please note: the wall fixings supplied with this product are suitable for solid walls only. Plasterboard or stud walls may require specialist fixings (not supplied).

\*Please handle glass with care, avoiding knocks and shock loading to all sides and edges. Safety glass cannot be re-worked







## Care & Use

Soap and water will be adequate to clean the glass. A glass cleaner may be used if required.

In hard water areas, insoluble lime salts may be deposited on the glass. If these deposits are allowed to build up, it becomes increasingly difficult to remove them and looks unsightly. Regular cleaning will minimise this effect



## Fixing kit includes

Ref	Description	Illustration	Qty
A2	green expandable wall plug		4
B2	stainless steel screws: 4*25		4
C2	stainless steel screws: 4*10		4
D2	3mm Drill BIT		1
E2	DOOR AXLE	Left  and Right 	2

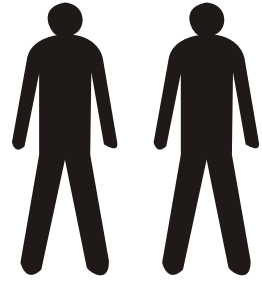
Ref	Description	Qty
A	WALL PROFILE	1
B	SCREEN	1
C	TOWEL RAIL	1
D	SPLASH SEAL	1

# Tools Required(not Supplied)

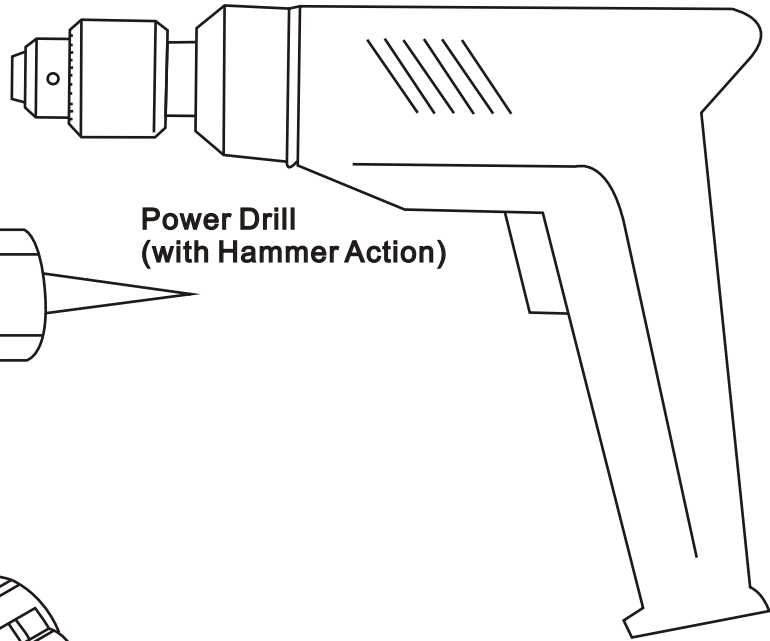
when you're ready to start,make sure that you have the following tools to hand,plenty of space and a clean dry area for assembly.

Two people are needed.

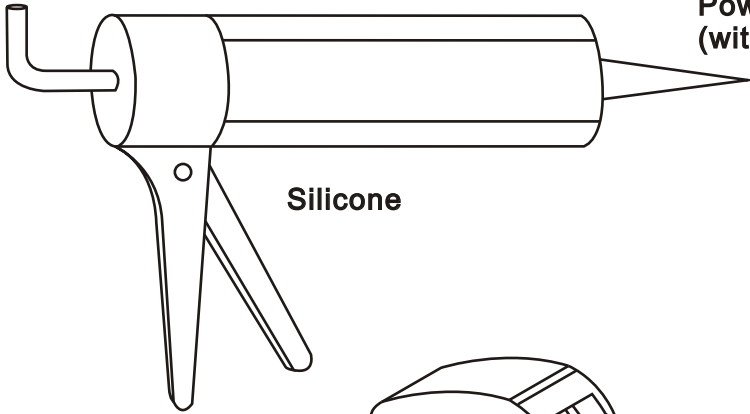
Please note:although these instructions are comprehensive,We always recommend that a technically competent installer should undertake installation.



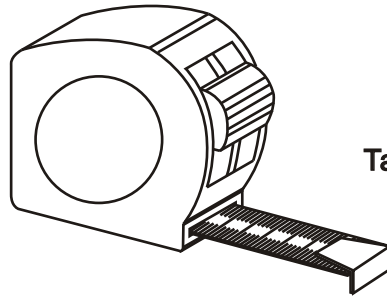
5.5mm Masonry Drill Bit



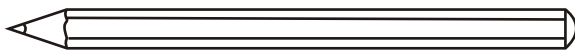
Power Drill  
(with Hammer Action)



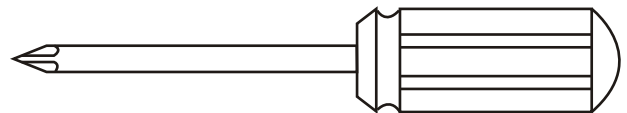
Silicone



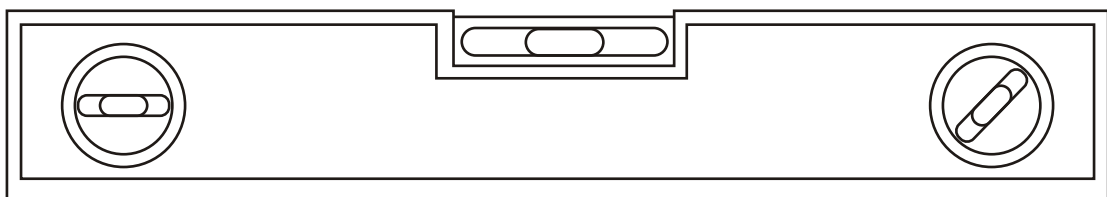
Tape measure



Pencil or Marker Pen



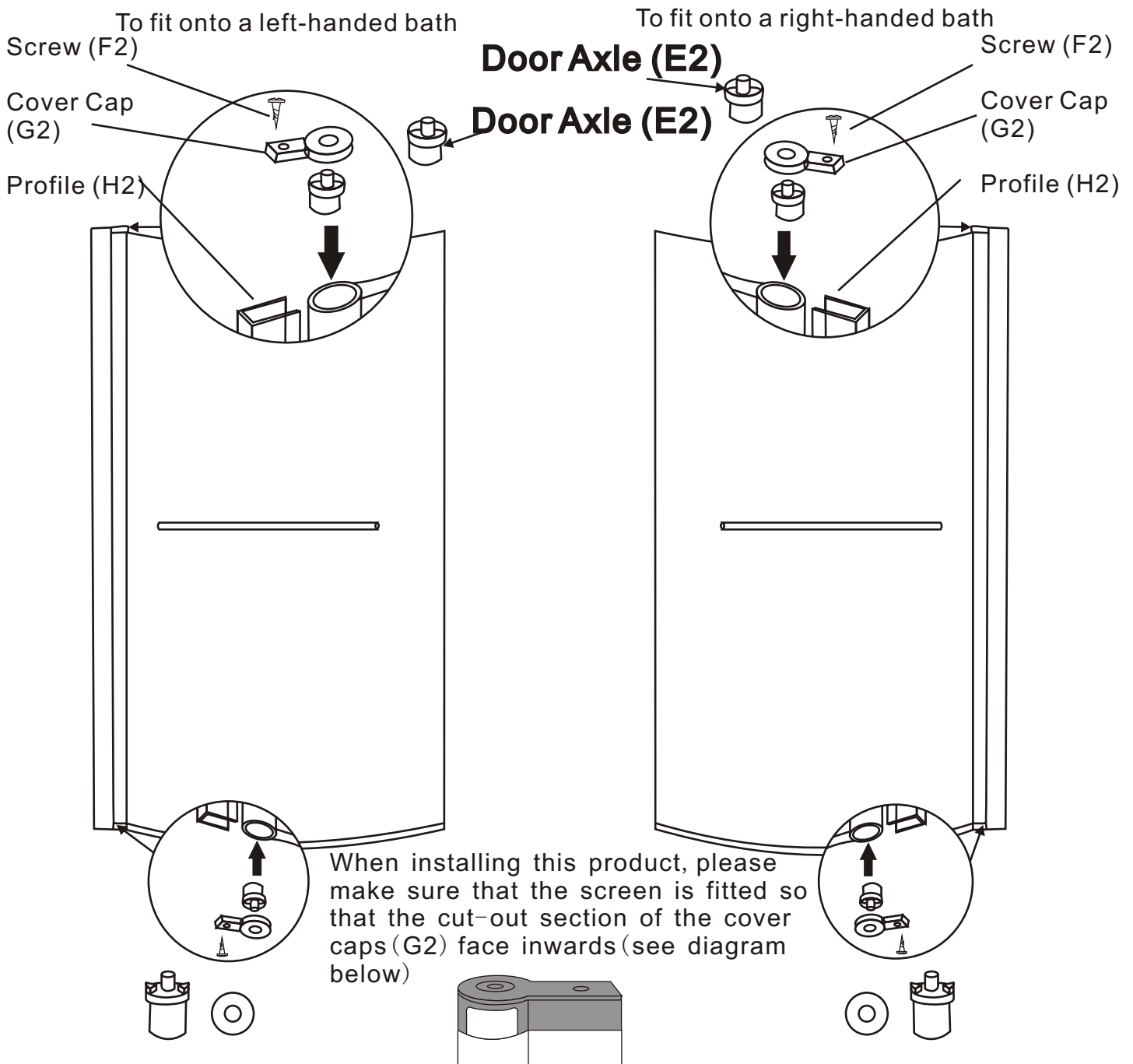
Cross-head Screwdriver



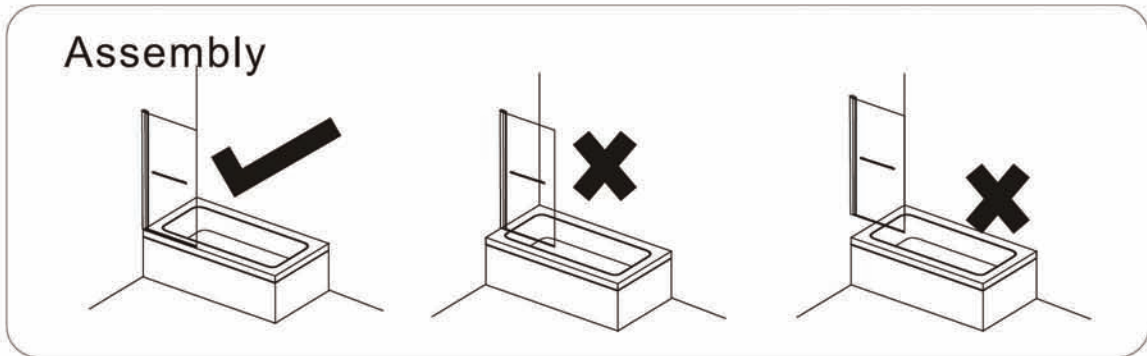
Spirit Level

# INSTALLATION INSTRUCTIONS

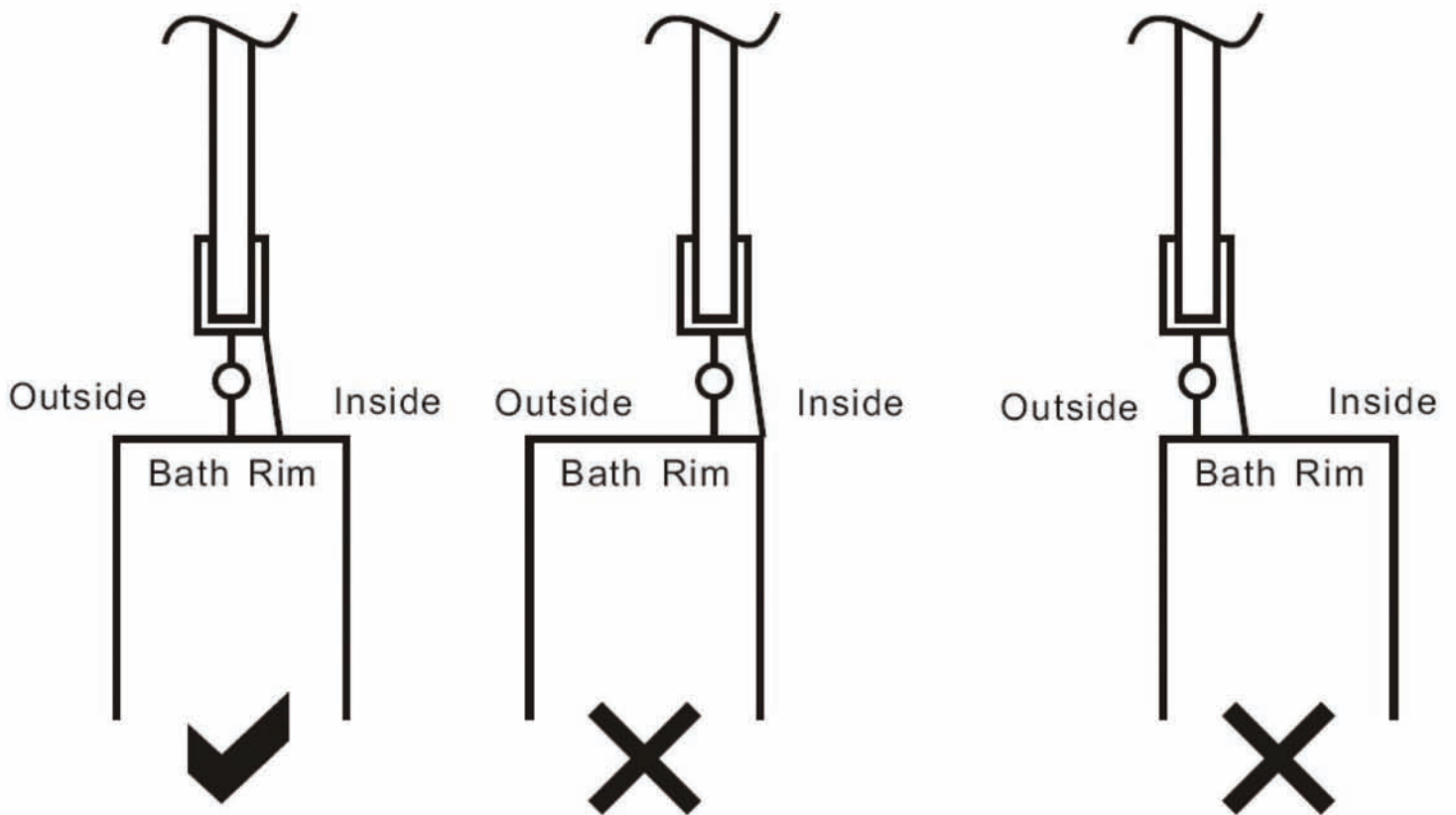
This shower screen is fitted with a rise-and-fall hinge. The shower screen is factory-set to be used on a left-handed bath. If you are fitting the screen to a right-handed bath, the door axles will need to be swapped around. Please refer to the diagram below. Using a cross-handed screwdriver, remove the screw (F2) and the chrome cover cap (G2) from the top of the screen. Take the screen axles around so that the door axle with two raised lugs is at the bottom of the screen. Screw the door axles back into the screen. Fit the screen back into the profile (H2). Screw the cover cap (G2) back onto the top of the screen.



# INSTALLATION INSTRUCTIONS

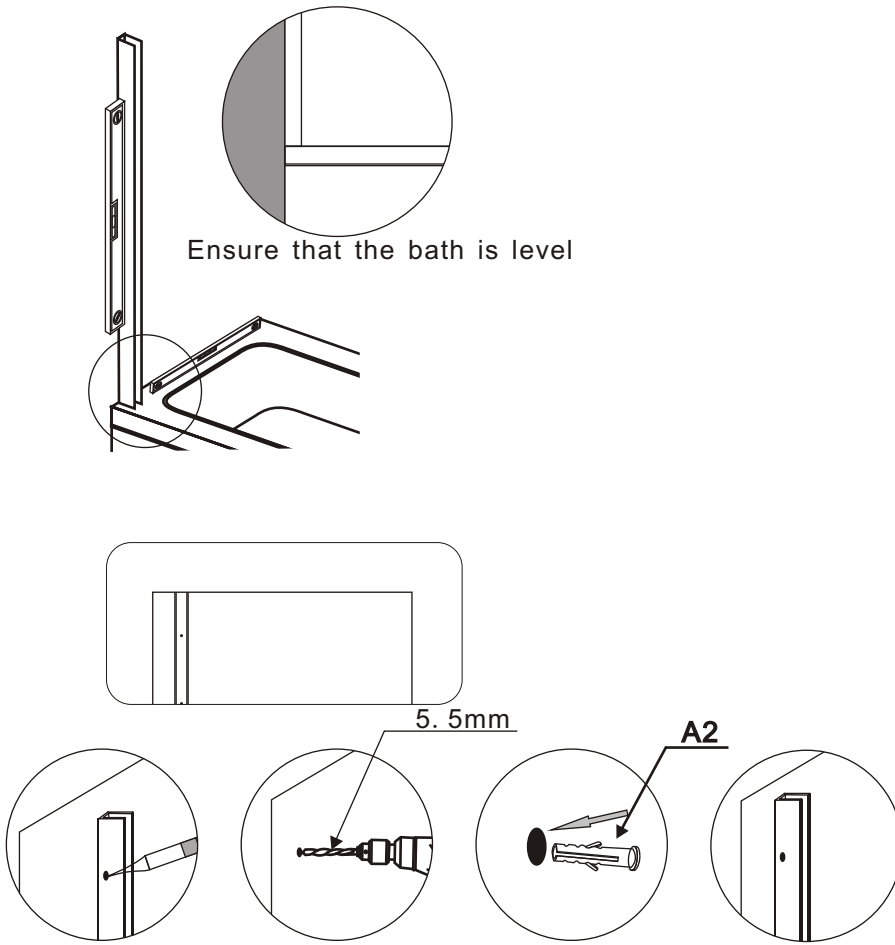


position the shower screen so that the screen sits in the centre of the bath rim



NOTE: Failure to install the screen as shown with the lower bracket resting on the bath edge can result in excessive weight on the brackets causing them to fail.

# INSTALLATION INSTRUCTIONS



Decide on a suitable position above the bath for the shower screen.

Place the Wall Profile (A) in position on the wall.

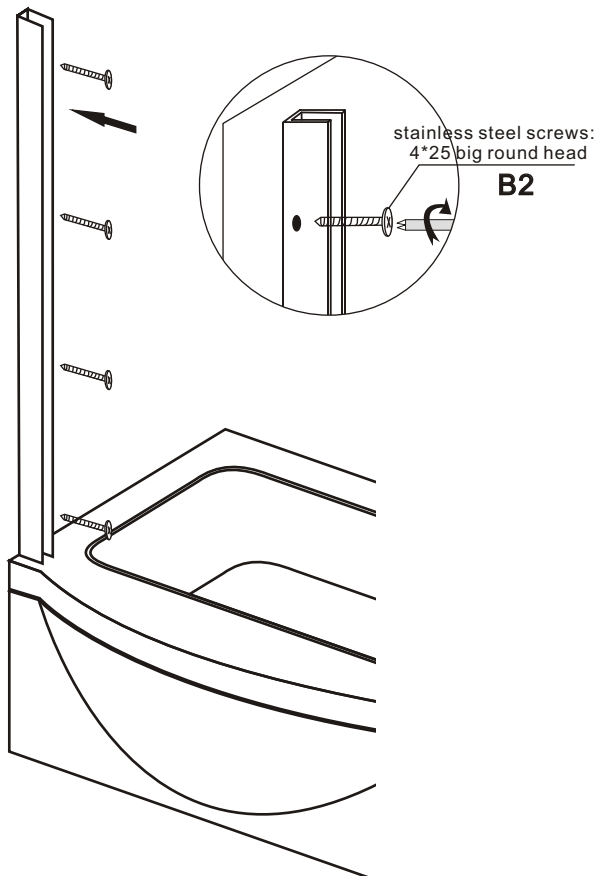
Check the wall profile is vertical with a spirit level.

Using a pencil or marker pen, mark the position of the fixing holes inside the profile on the wall.

Caution: care should be taken when drilling into walls and floors to avoid any hidden pipes or cables.

Using a 5.5mm Masonry drill bit, drill 4 holes in the positions marked on the wall to a depth of 30mm.

Insert a wall plug (A2) into each of the holes drilled in the wall.

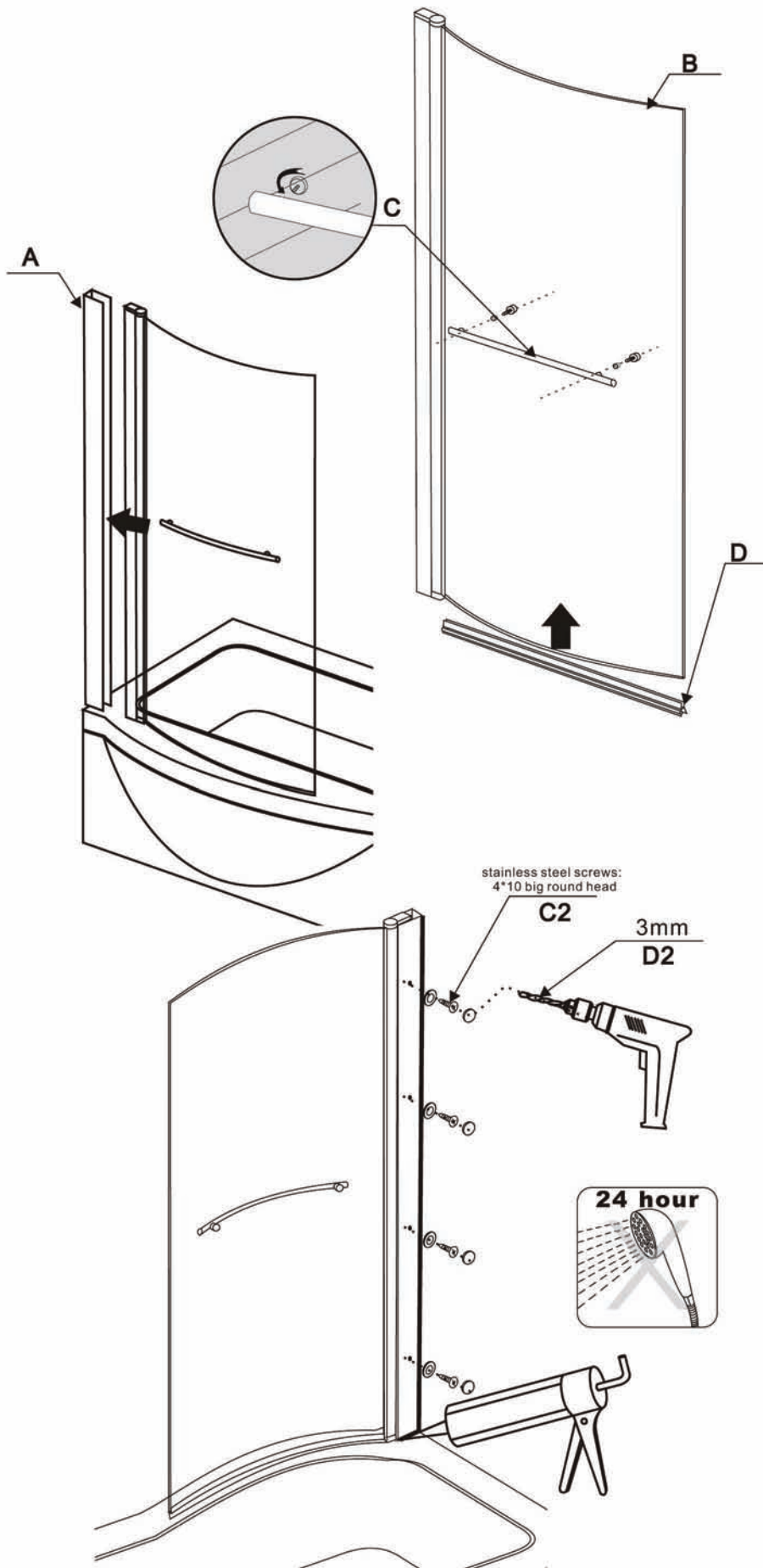


Using a cross-head screwdriver, secure the wall profile (A) to the wall using the 4 screws (B2).

Check that the wall profile is vertical with a spirit level before finally tightening the screws.



# INSTALLATION INSTRUCTIONS



Fit the splash seal (D) to the underside of the glass screen

Fit the handle onto the screen, ensuring that there is a rubber washer either side of the glass.

Push the screen into the wall profile (A). Adjust the position until the screen sits on top of the bath and is horizontally level with the rim.

**Note:** Failure to install the screen as shown with the lower bracket resting on the bath edge can result in excessive weight on the brackets causing them to fail.

Using the 3mm drill bit (D2), drill 3 holes in the wall profile (A). Using a cross-headed screwdriver, screw 3 4x10mm screws (C2) into the holes to secure the screen in position. **Note:** the holes should be drilled into the inside face of the wall profile (A), so that the screws are not visible from the outside of the screen.

Apply silicone sealant to the joint between the wall and the wall profile (A).

Do not use the bath screen for at least 24 hours to allow the silicone to dry fully

For further information please contact Customer Services on 0161 703 3360 (UK only).