

ATOM DOWNLIGHT

IP20

A compact & stylish internal luminaire.

The ATOM compact downlight offers a horizontal 13W downlighter, complete with integral electronic control gear and is pre-wired with 1m of cable.



- Compact integrated design only 93mm recessed depth.
- Supplied prewired.
- Designed to fit ceilings with voids as shallow as 100mm with required air gap above.
- Horizontal lamp position maximises light output.
- Hinged lamp holder for easy lamp change.
- Designed to suit standard 127mm hole cutter aperture for fast installation.
- Highly specular aluminium reflector.
- White



Clear Lens



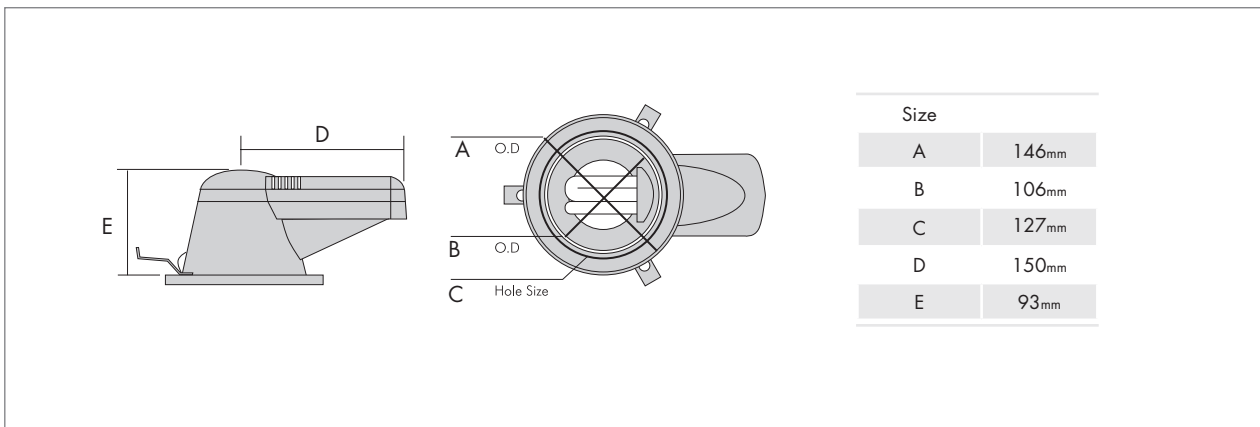
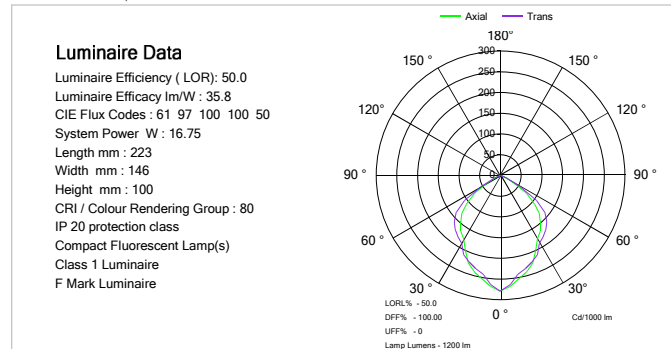
ATOM DOWNLIGHT

AT1



Atom Compact Downlight

Based on a AT1/VWS118E



Lamp Types

- 1 x 13w TC-T 4 pin lamp GX24-q1.

Materials

- Housing material - polycarbonate.
- Reflector spun aluminium.

Installation

- Mounting suitable for mounting on normally flammable material 'F' mark.
- Fixing method sprung steel push fit wings suitable for ceilings between 5-25mm.
- Pre-wired 1m.

Standards

- CE mark conformance to low voltage & EMC directives.
- BS EN 60598.
- IP20.