

# HALF LANTERN

IP44

## A traditional wall mounted half lantern

Classic design Half Lantern in vandal and weather resistant polycarbonate.

The lantern is designed to be fitted near to doorways to optimise illumination for entrance areas.

The Half Lantern range is available with energy saving lamps or LED versions.

- Easy to install.
- IP44.
- Designed to BS EN 60598.



### Material

- Body: Vandal resistant polycarbonate self-extinguishing fire properties in white
- Windows: Vandal resistant polycarbonate in clear

### Installation

- Simple installation.

### Standards

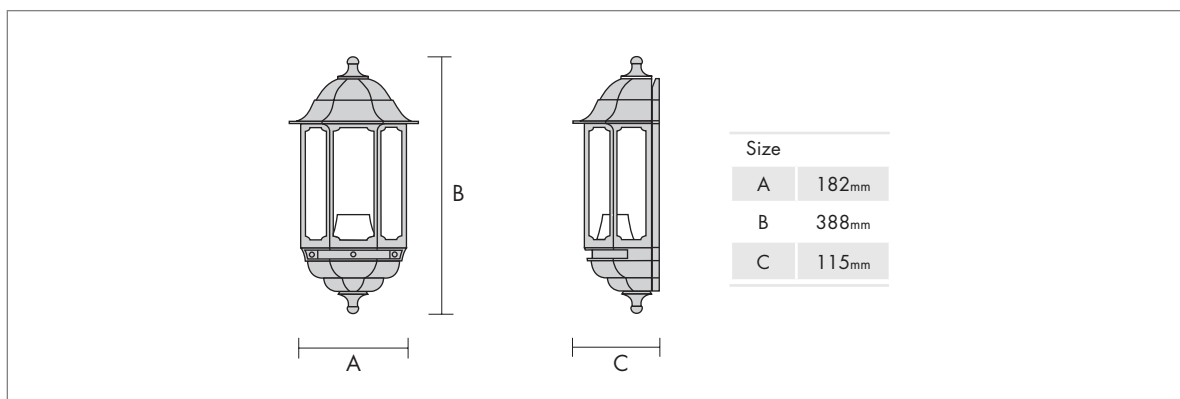
- IP44.
- 'F' Mark.
- CE.
- BS EN 60598.
- Class I.



# HALF LANTERN



Other options or configurations may be available, please contact us on 01709 374890 or email [sales@asdlighting.com](mailto:sales@asdlighting.com) for advice.



## Material

- Body: Vandal resistant polycarbonate self-extinguishing fire properties in white
- Windows: Vandal resistant polycarbonate in clear

## Installation

- Simple installation.

## Standards

- IP44.
- 'F' Mark.
- CE.
- BS EN 60598.
- Class I.