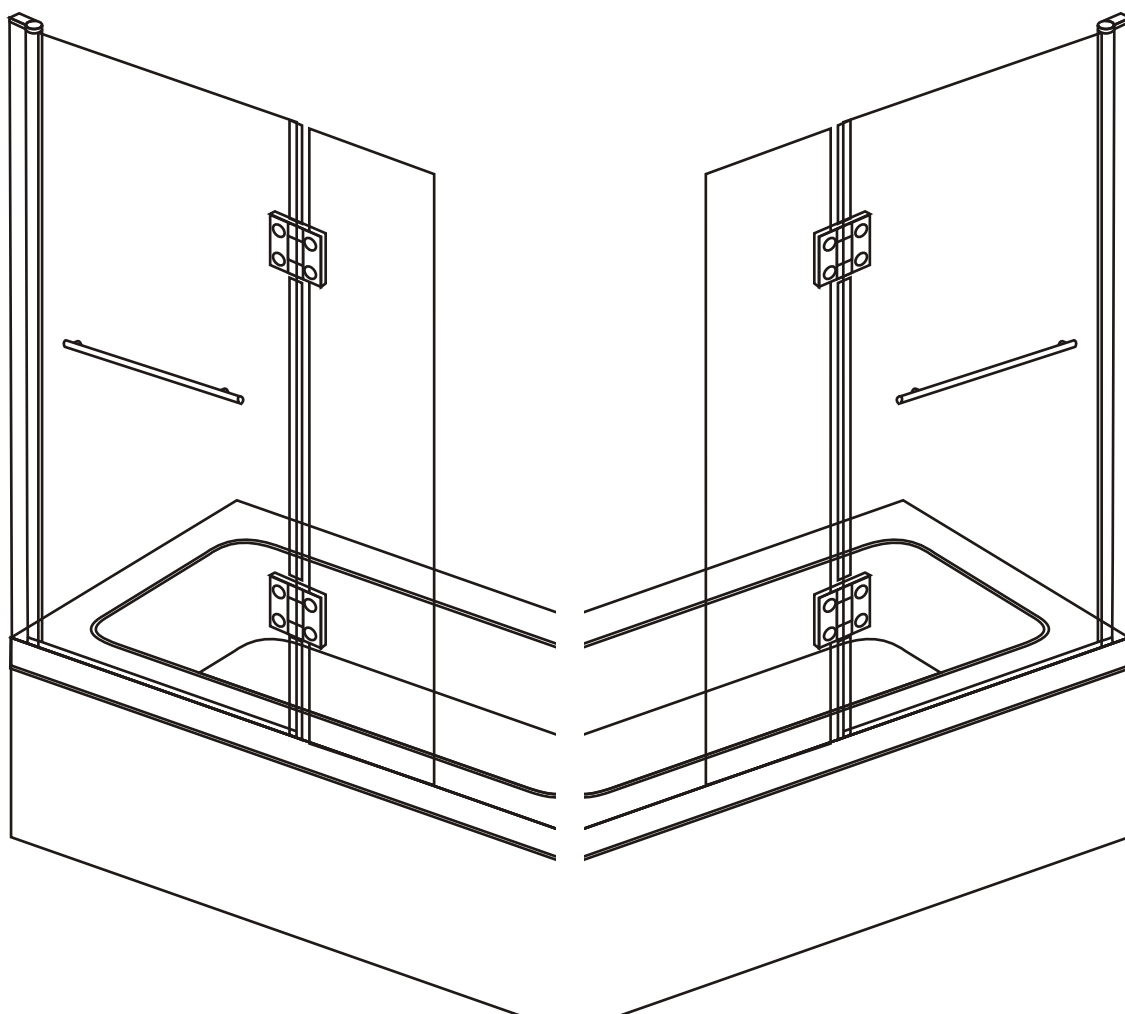


L-Shaped over-bath shower screen

815mm × 140mm × 1400mm

INSTALLATION MANUAL



Left-handed

Right-handed

Reversible to suit both left-and right-handed baths

Contents

List of parts supplied	Page 3
Tools required (not supplied)	Page 4
Changing the door axles to fit a right-handed bath	Page 5
Installation	Page 6&7

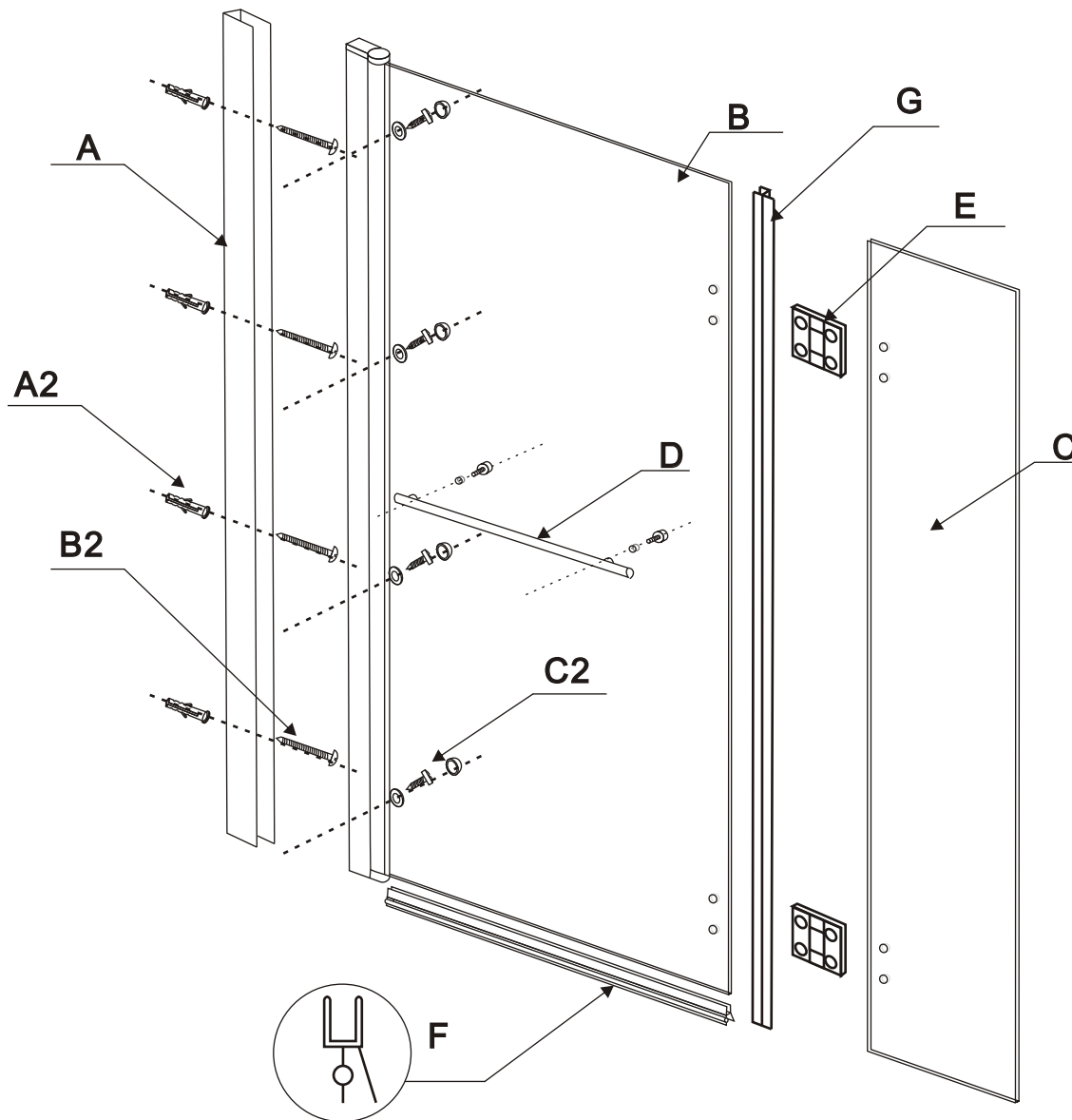
Parts supplied

Check the pack and make sure that you have all of the parts listed. If not, contact your vendor who will be able to help you. All dimensions are shown in millimeters, except where otherwise stated.

*Ensure that the screen is fitted to a level bath and a vertical wall surface.

*Please note: the fixings supplied with this product are suitable for solid walls only. Plasterboard or stud walls may require specialist fixings (not supplied).

*Please handle glass with care, avoiding knocks and shock loading to all sides. Safety glass cannot be re-worked



Fixing kit includes

Ref	Description	Qty
A	WALL PROFILE	1
B	LARGE GLASS SCREEN	1
C	SMALL GLASS SCREEN	1
D	HANDLE	1
E	HINGES	2
F	HORIZONTAL SPLASH SEAL	1
G	VERTICAL SEAL FOR FIXED GLASS	1

Ref	Description	Illustration	Qty
A2	green expandable wall plug		4
B2	stainless steel screws: 4*25		4
C2	stainless steel screws: 4*10		4
D2	3mm Drill bit		1
E2	DOORAXLE	Left and Right	2

Care & Use

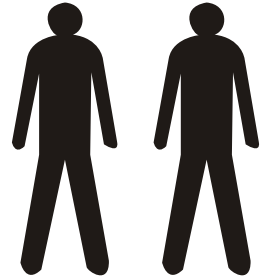
Clean using warm soapy water only. Do not use abrasives, scourers or chemical cleaners

Tools Required(not Supplied)

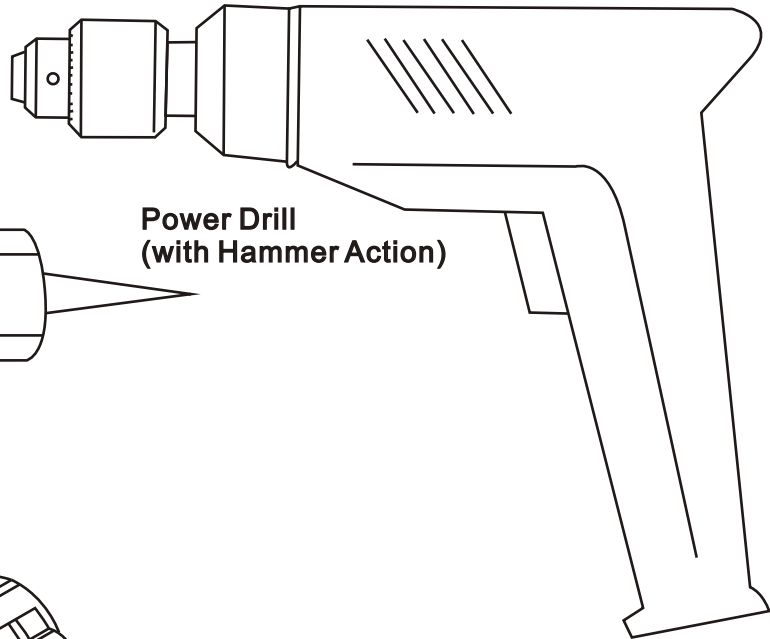
when you're ready to start,make sure that you have the following tools to hand,plenty of space and a clean dry area for assembly.

Two people are needed.

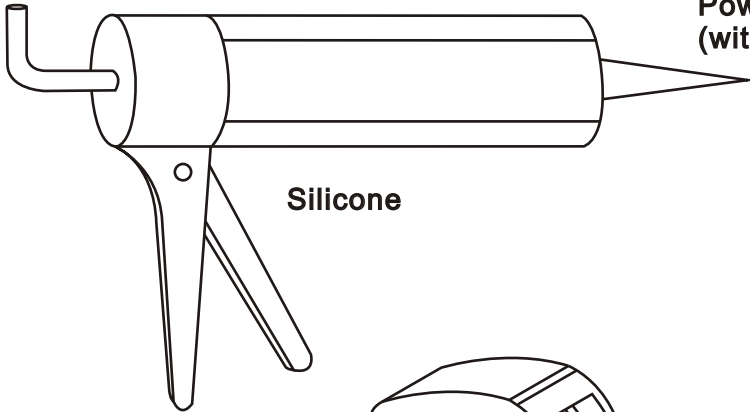
Please note:although these instructions are comprehensive,We always recommend that a technically competent installer should undertake installation.



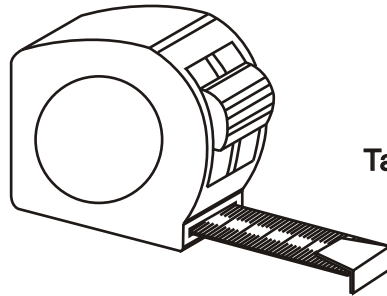
5.5mm Masonry Drill Bit



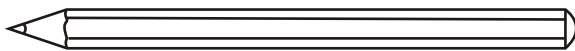
Power Drill
(with Hammer Action)



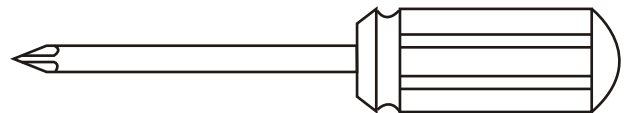
Silicone



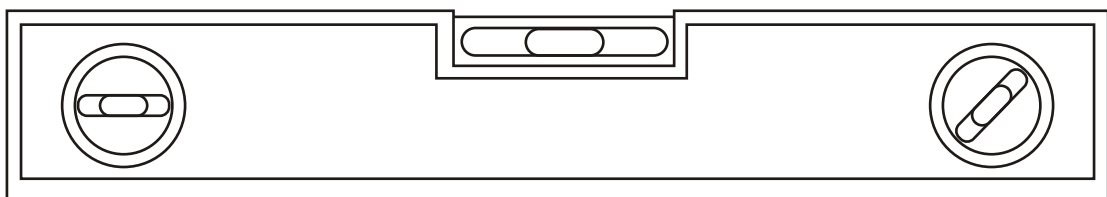
Tape measure



Pencil or Marker Pen



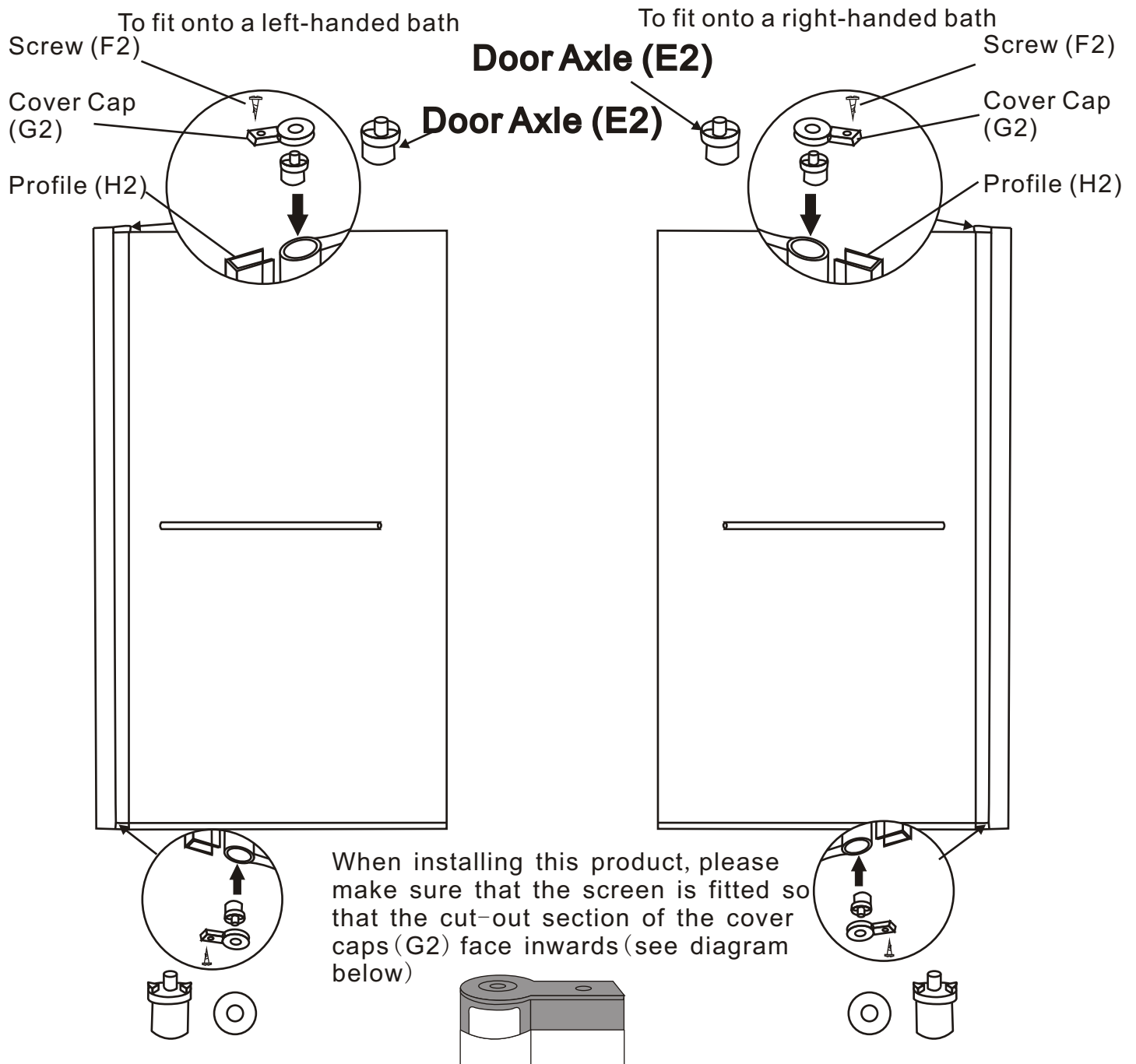
Cross-head Screwdriver



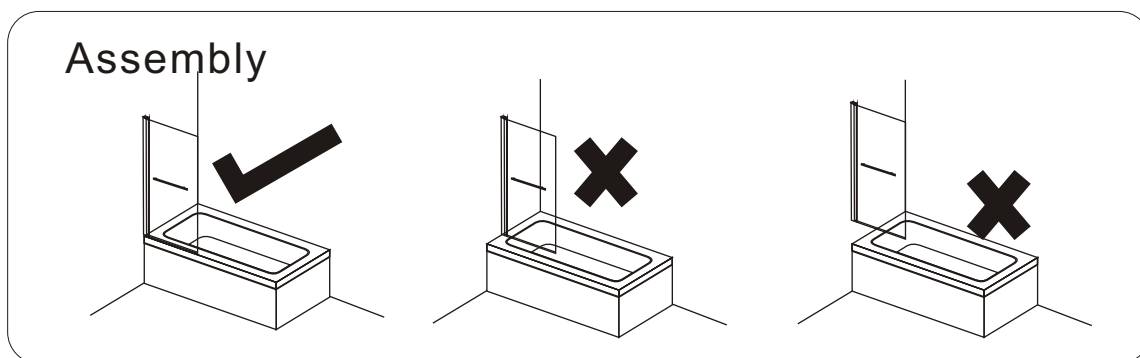
Spirit Level

INSTALLATION INSTRUCTIONS

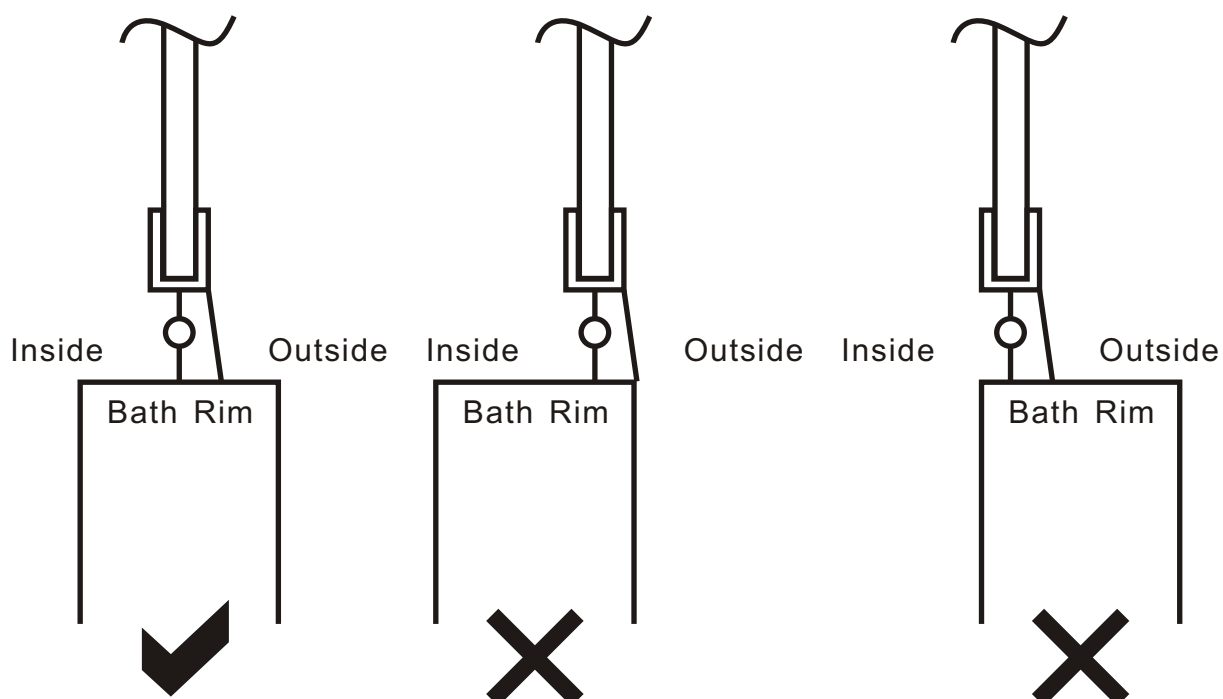
This shower screen is fitted with a rise-and-fall hinge. The shower screen is factory-set to be used on a left-handed bath. If you are fitting the screen to a right-handed bath, the door axles will need to be swapped around. Please refer to the diagram below. Using a cross-handed screwdriver, remove the screw (F2) and the chrome cover cap (G2) from the top of the screen. Take the screen axles around so that the door axle with two raised lugs is at the bottom of the screen. Screw the door axles back into the screen. Fit the screen back into the profile (H2). Screw the cover cap (G2) back onto the top of the screen.



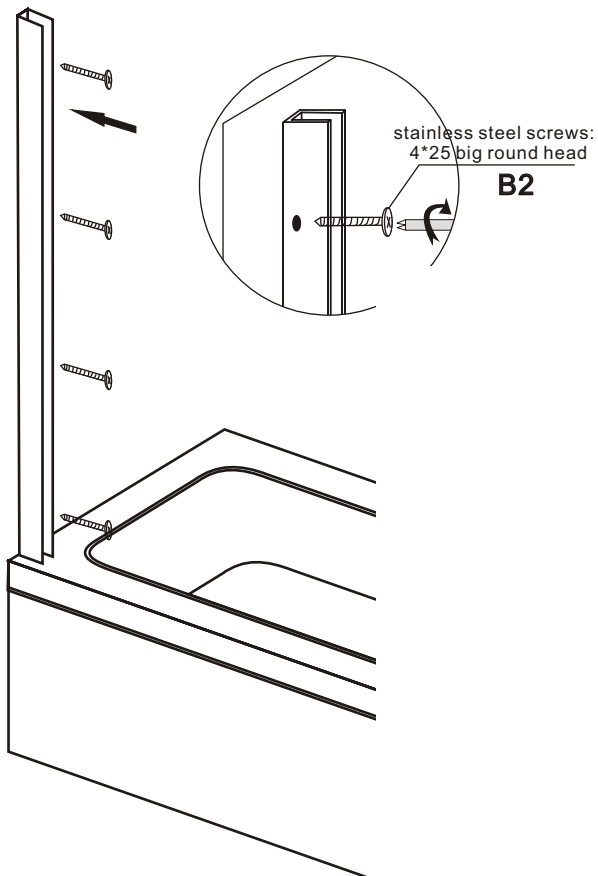
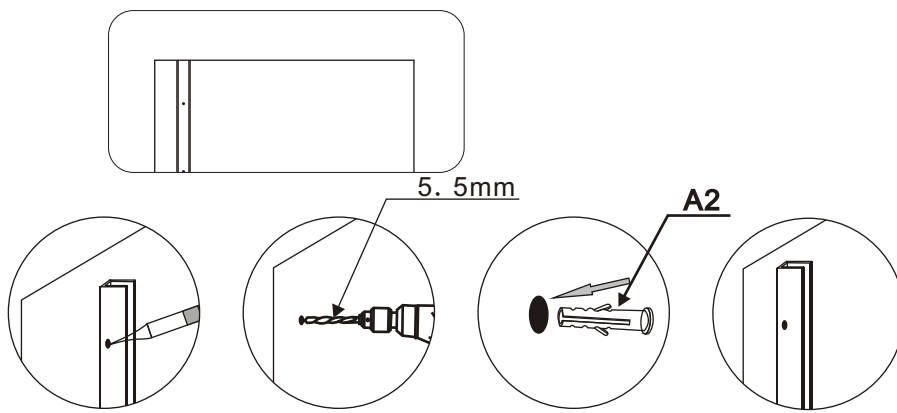
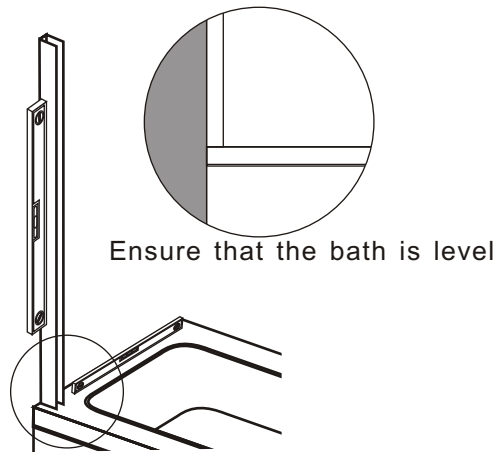
INSTALLATION INSTRUCTIONS



position the shower screen so that
the screen sits in the centre of the bath rim



INSTALLATION INSTRUCTIONS



Decide on a suitable position above the bath for the shower screen. Place the wall profile (A) in position on the wall. Check the wall profile is vertical with a spirit level. Using a pencil or marker pen, mark the position of the fixing holes inside the profile on the wall.

Caution: care should be taken when drilling walls and floors to avoid any hidden wires or pipes.

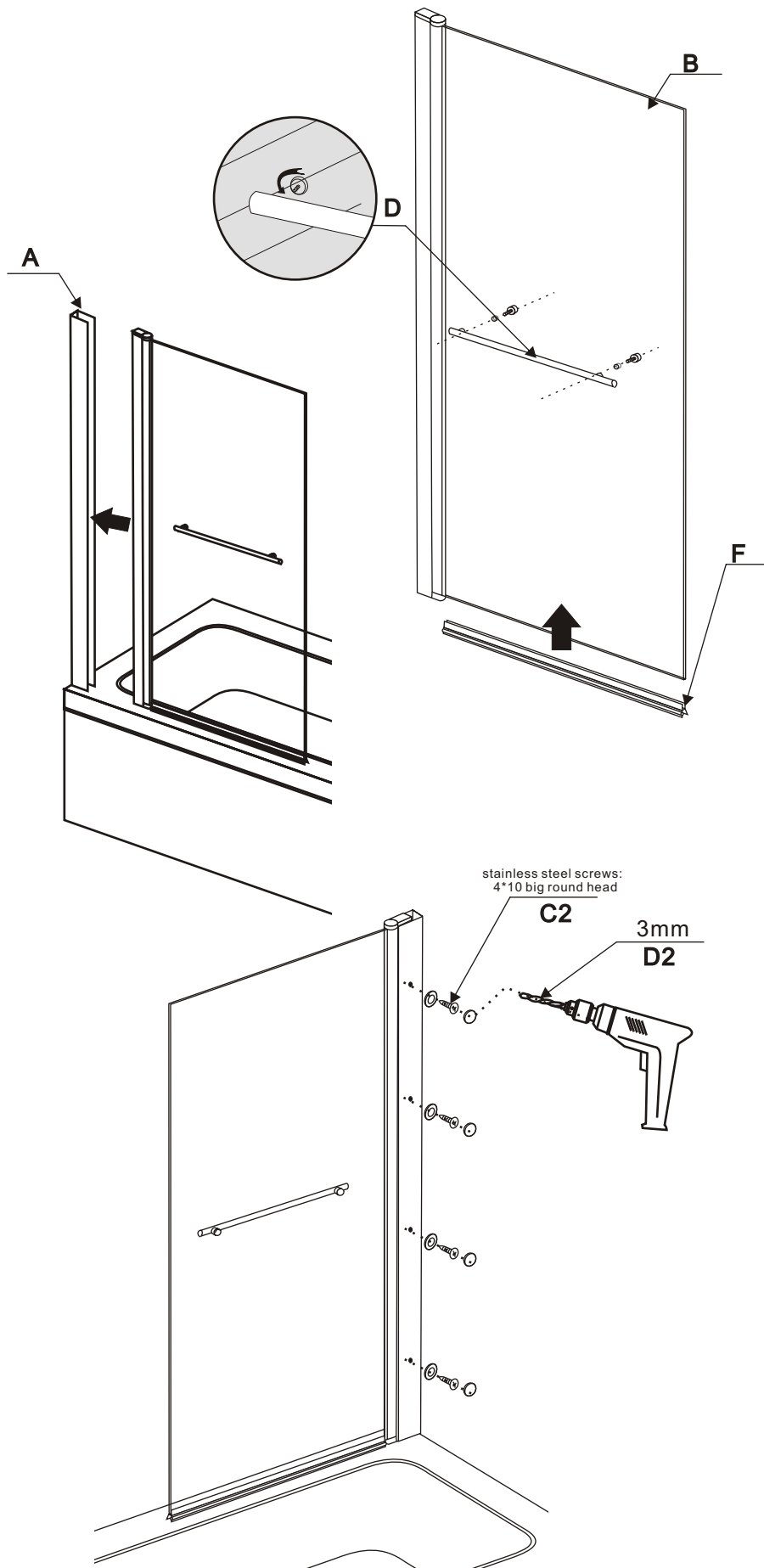
Using a 5.5mm Masonry drill bit, drill 4 holes in the positions marked to a depth of 30mm.

Insert a wall plug (A2) into each of the holes drilled in the wall

Using a cross-headed screwdriver, secure the wall profile (A) to the wall using the 4 screws provided (B2).

Check that the wall profile is vertical with a spirit level before finally tightening the screws.

INSTALLATION INSTRUCTIONS



Fit the horizontal splash seal (F) to the underside of the large glass screen (B). The splash seal may need to be cut to size.

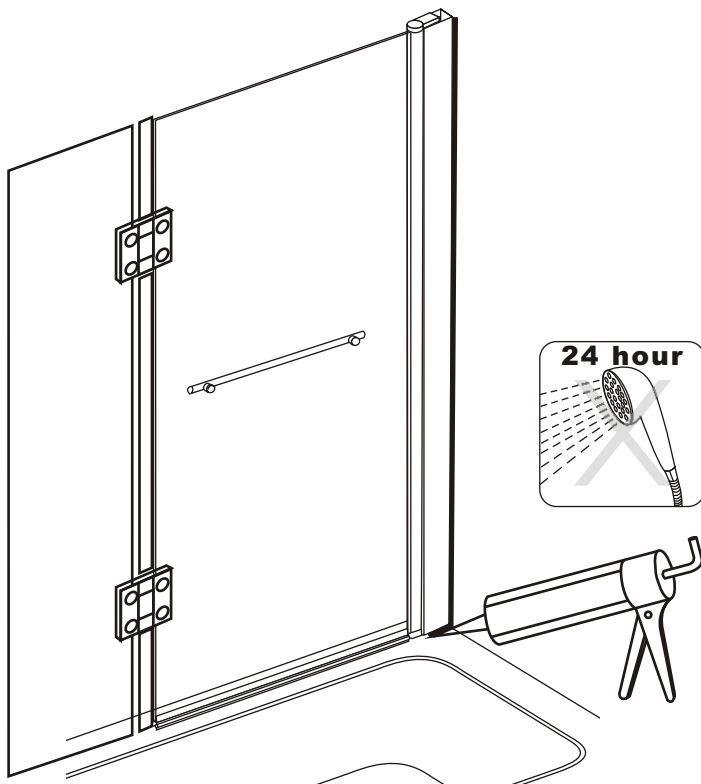
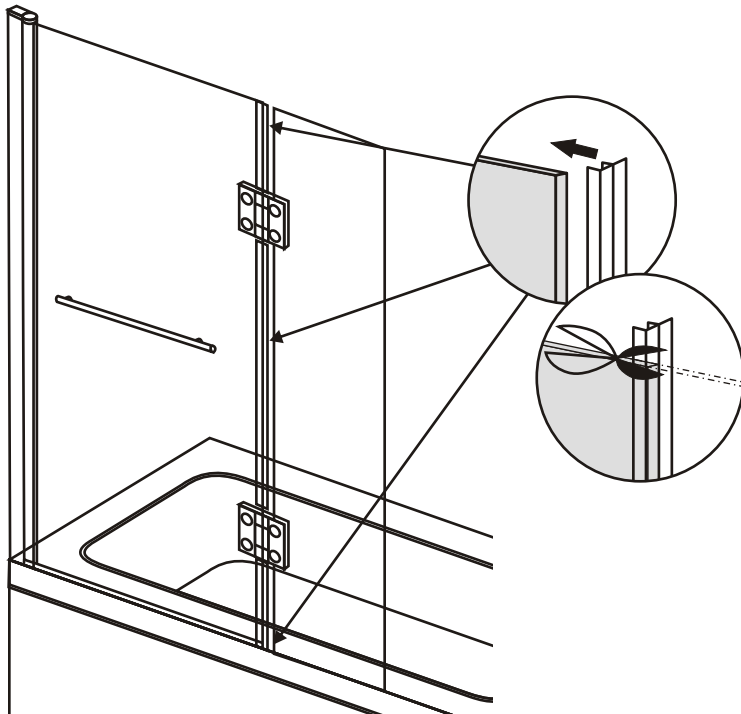
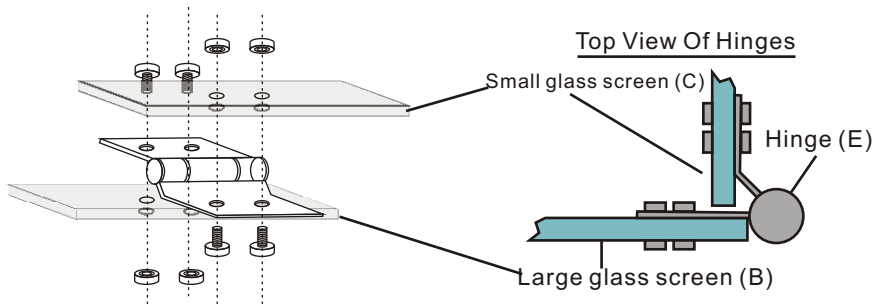
Fit the handle (D) onto the large glass screen (B) ensuring that there is a rubber washer either side of the glass.

Push the screen into the wall profile (A). Adjust the position until the screen sits on top of the bath and is horizontally level with the rim.

Using the 3mm drill bit (D2), drill 3 holes in the wall profile. Using a cross-headed screwdriver, screw 4×10 mm screws (C2) into the holes to secure the screen in position.

Note: the holes should be drilled into the inside face of the wall profile (A) so that the screws are not visible from the outside of the screen.

INSTALLATION INSTRUCTIONS



Fit the vertical splash seal (G) onto the large glass screen (B).

Please cut the longer vertical seal to be suit to glass height, pay attention that there have two hinges and you need to cut the seal well to suit to the glass.

Fit the horizontal splash seal (F) onto the underside of the small glass screen (C). Fit the small glass screen to the large glass screen using the hinges (E), making sure that there is a rubber washer either side of the glass.

Apply silicone sealant to the joint between the wall and the wall profile (A). Do not use the bath screen for at least 24 hours to allow the silicone to dry fully.

For further information, please contact Customer Services on 0161 703 3360 (UK only).

CONCEPT

Item No.	No. off & Description
1	2 x 500 mm Channels
2	2 x 350 mm Jack legs
3	4 x 120 mm Allthreads
4	2 x Wall fixing brackets
5	4 x M12 x 65 Plastic feet
6	2 x M10 x 200 Metal feet
7	1 x M10 x 85 Metal foot
8	1 x Centre foot bracket
9	4 x M10 Nuts
10	12 x M12 Nuts
11	26 x 5/8" x 10 Hardened self taper screws
12	10 x Panel clips
13	1 x Fitting instruction

