

Column Radiator

PLEASE PASS THIS ON TO THE HOUSEHOLDER AFTER INSTALLATION



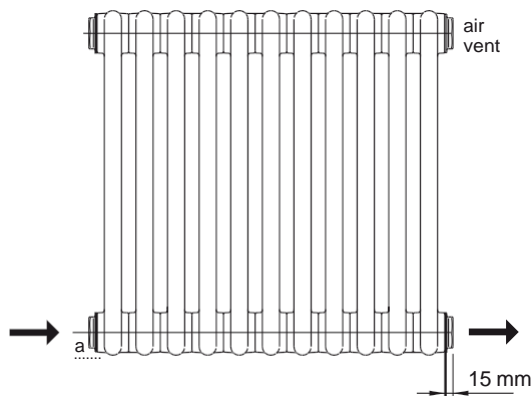
This steel radiator is suitable for connection to the central heating system only. It is not suitable for connection to the domestic hot water supply. The radiator must be installed in accordance with BS7593. i.e. to recognised water treatment procedures and standards.

VERY IMPORTANT:
PLEASE NOTE: WHEN CONNECTING THE PIPEWORK TO THE RADIATOR, THE WATER MUST ENTER THE RADIATOR AT THE BOTTOM CORNER DIAGONALLY OPPOSITE THE AIR VENT AND EXIT AT THE BOTTOM CORNER BELOW THE AIR VENT.

The Column radiator is supplied complete with wall supporting brackets. (See photograph). Please ensure that the supporting wall is strong enough to support the radiator when it is filled with water. Floor brackets are available as a separate purchase.

Brackets should be spaced evenly towards the top and bottom at the rear of the radiator.

Fitting the brackets: Working from the rear of the radiator, insert the smaller end of the spring clamp vertically between the 2nd and 3rd columns, then rotate both the front and back clamps into horizontal positions. Using a screwdriver, and working from the front of the radiator, tighten the spring to clamp the bracket firmly into place. Fit the security clip to the wall support that has been firmly screwed to the wall using wall plugs. (See reverse for instructional diagrams). Hang the radiator, engaging the security clip as shown. (Screws and wall plugs are not supplied).



Actual radiator length (face to face) = (No. of sections x 46) + 30 mm

a: 2 column radiator = 29 mm

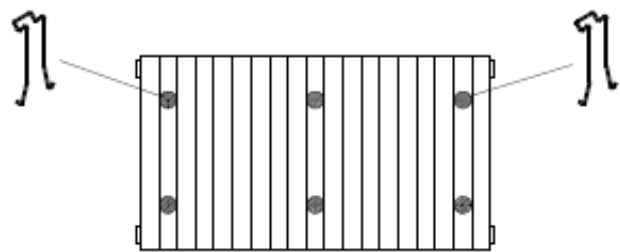
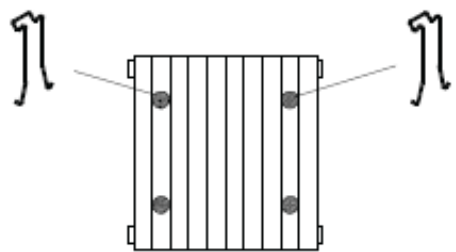
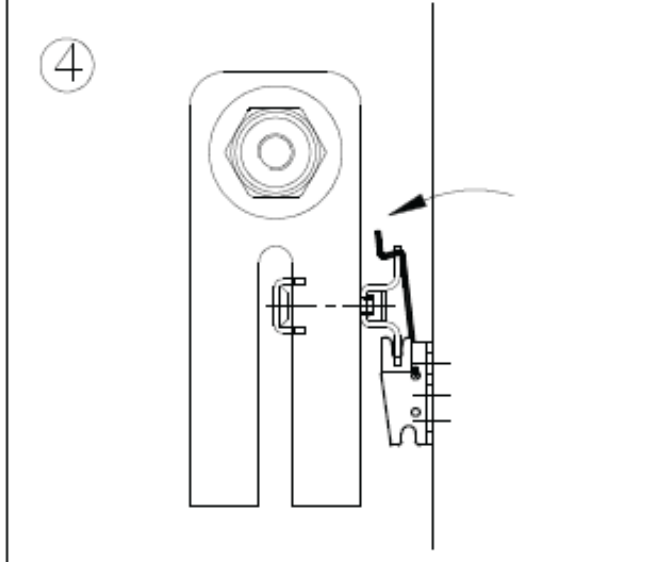
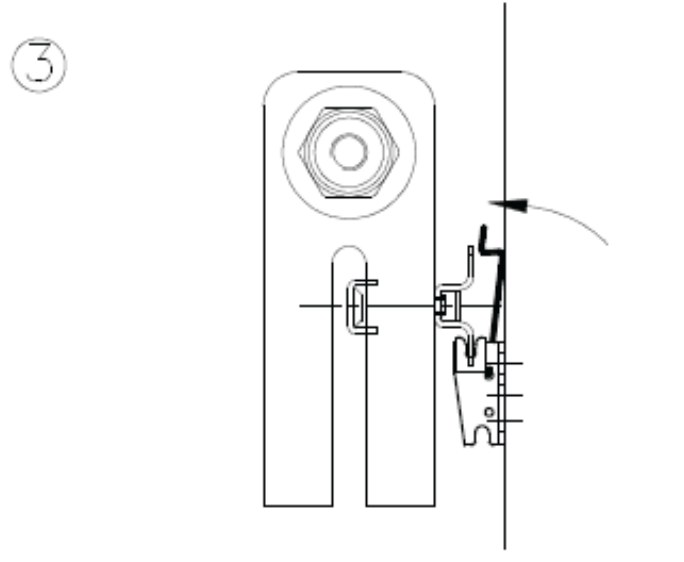
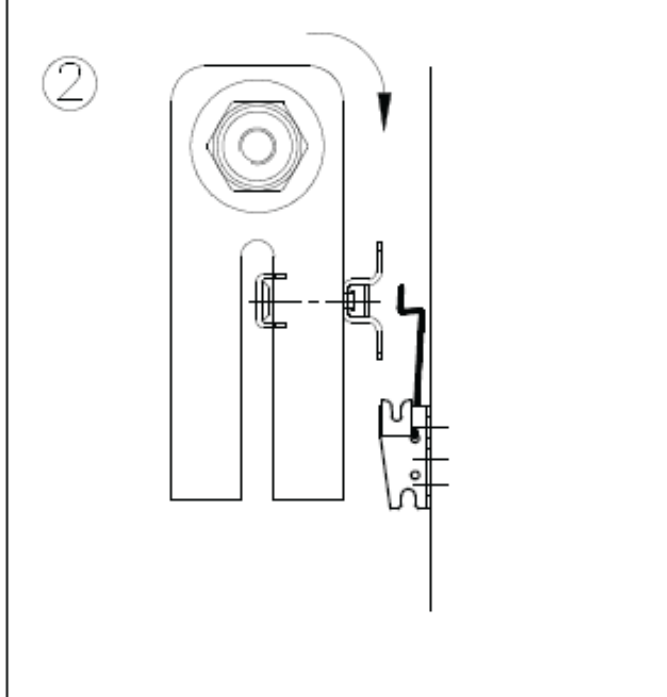
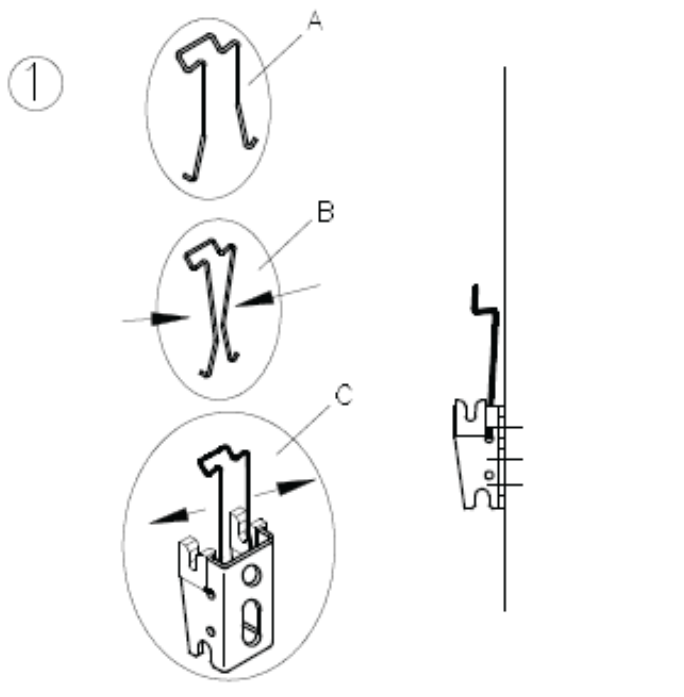
3-4 column radiator = 33 mm

a = bottom of radiator to centre of connection

The manufacturer recommends that, to preserve the life of the radiator and achieve optimum performance, the central heating system is thoroughly cleansed at installation stage and a suitable inhibitor introduced. If in any doubt, seek professional advice. (For information on water treatment, please call the Water Treatment helpline on 01799521133)

Number of columns	Wall to centre of connections		Wall to front face of radiator
	Using 10mm bracket slot	Using 15mm bracket slot	
2	54	59	85 or 90
3	73	78	123 or 128
4	91	96	159 or 164
All sizes (approximate) in mm			

To qualify for your 5 years manufacturer's guarantee, please log on to <http://www.zehnder.co.uk/retail/product-registration>, within 30 days of date of purchase, to register the necessary details.



4 x BH
6 x BH

2 x
2 x

4 x CVD 0
6 x CVD 0

