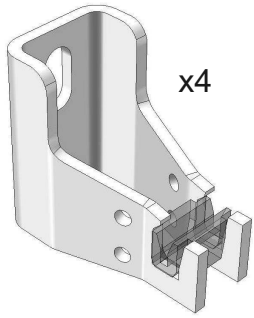
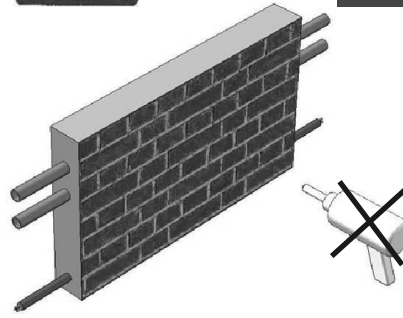


Z23080

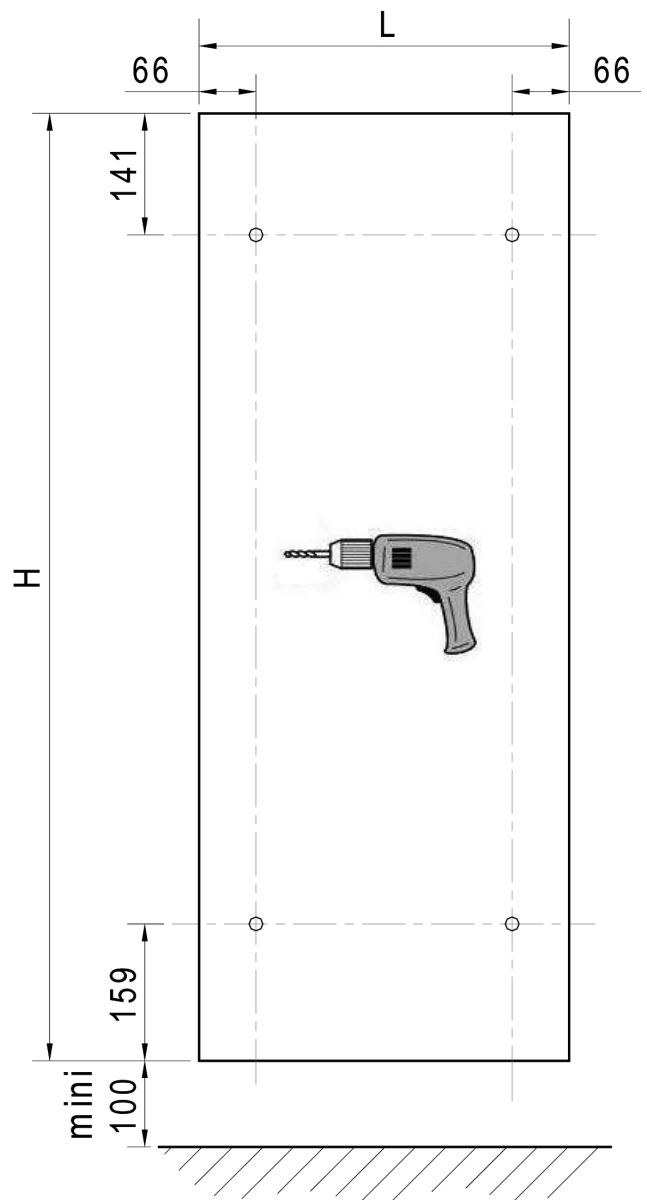
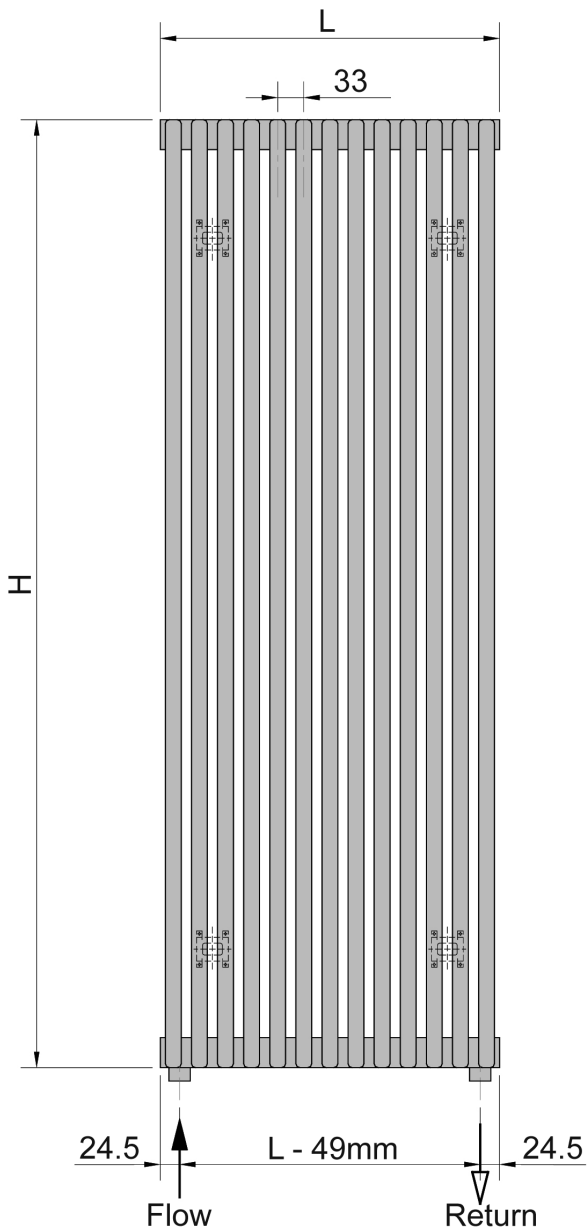
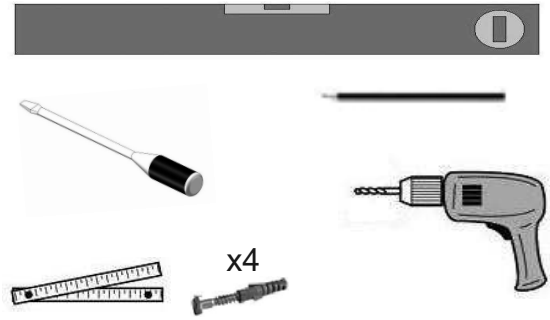
# Acova Keva

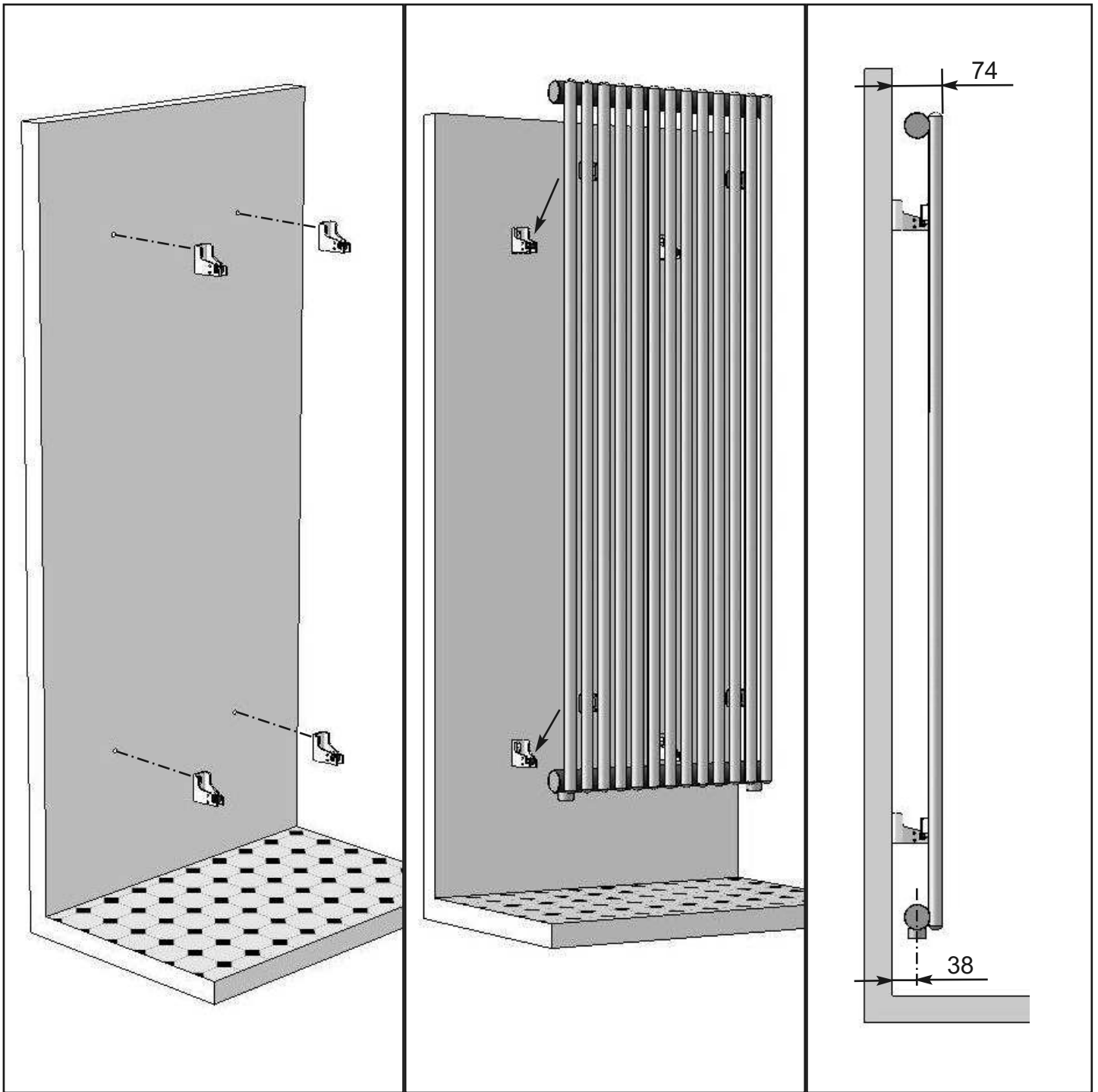
## Installation Instructions

Original mounting instruction 27/10/10 PVA



| H x L      | Kg   |
|------------|------|
| 1200 x 297 | 10   |
| 2000 x 297 | 14.6 |
| 2000 x 429 | 19.6 |
| 2000 x 495 | 22.1 |
| 2000 x 627 | 27.1 |





### Swivelling air bleed valve

Tighten the bleed valve moderately on the radiator with the o-ring to ensure watertightness. Loosen the needle valve and turn the cone to direct the jet in the required direction.

#### IMPORTANT:

This steel radiator is suitable for connection to the central heating system only. When new or additional radiators are being installed, the system should be drained, cleaned and flushed in accordance with BS7593 and a good quality inhibitor, suitable for mixed metal system, used to protect the system. If in doubt, seek professional advice.

(For information on water treatment, please call the Water Treatment helpline on 01799 521133).

To qualify for your 5 years manufacturer's guarantee, please log on to <http://www.zehnder.co.uk/retail/product-registration> within 30 days of date of purchase, to register the necessary details.