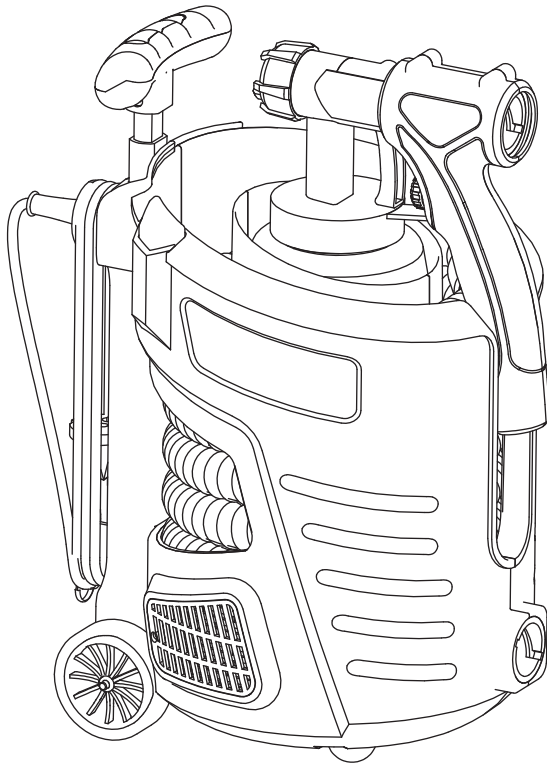


Erbauer®



ERB561SRG

2Year
Guarantee

700W HVLP SPRAY GUN ERBAUER

Erbauer®

700W HVLP SPRAY GUN

TABLE OF CONTENTS

Guarantee

Safety warnings

Symbols

Product functions

Technical specifications

Accessories

Intended use

Unpack

Assembly

Operation

Care and maintenance

EC Declaration of Conformity

700W HVLP SPRAY GUN ERBAUER

Erbauer®

Congratulations on your purchase of a quality power tool from Erbauer (UK) Ltd. This product should give you reliable service but for your peace of mind this **Erbauer** power tool does carry a 2 year guarantee, the terms of which are detailed below.

If this product develops a fault within the guarantee period contact your retailer.

Please retain this handbook in case you need to refer to safety, care or guarantee information in the future.

GUARANTEE

This **Erbauer** product carries a 2 year guarantee. If your product develops a fault within this period, you should in the first instance contact the retailer where the item was purchased.

This guarantee specifically excludes losses caused due to:

- Fair wear and tear
- Misuse or abuse
- Lack of routine maintenance
- Failure of consumable items (such as batteries)
- Accidental damage
- Cosmetic damage
- Failure to follow manufacturer's guidelines
- Loss of use of the goods

This guarantee does not affect your statutory rights. This guarantee is only valid in the UK.

For further technical advice, spare parts or repair service (outside of guarantee) please contact the customer helpline number on 0845 607 6380.

700W HVLP SPRAY GUN ERBAUER

SAFETY WARNINGS

1. This product and its accessories are not intended for use by persons (including children) with reduced physical, sensory or mental capabilities, or lack of experience and knowledge, unless they have been given supervision or instruction concerning use of the product by a person responsible for their safety.
2. Children should be supervised to ensure that they do not play with the product.

GENERAL POWER TOOL SAFETY WARNINGS



WARNING! Read all safety warnings and all instructions. Failure to follow the warnings and instructions may result in electric shock, fire and/or serious injury. Save all warnings and instructions for future reference.

The term "power tool" in the warnings refers to your mains-operated (corded) power tool or battery-operated (cordless) power tool.

Work area safety

1. Keep work area clean and well lit. Cluttered or dark areas invite accidents.
2. Do not operate power tools in explosive atmospheres, such as in the presence of flammable liquids, gases or dust. Power tools create sparks which may ignite the dust or fumes.
3. Keep children and bystanders away while operating a power tool this product. Distractions can cause you to lose control.

Electrical safety

1. Power tool plugs must match the outlet. Never modify the plug in any way. Do not use any adapter plugs with earthed (grounded) power tools. Unmodified plugs and matching outlets will reduce risk of electric shock.
2. Avoid body contact with earthed or grounded surfaces, such as pipes, radiators, ranges and refrigerators. There is an increased risk of electric shock if your body is earthed or grounded.
3. Do not expose power tools to rain or wet conditions. Water entering a power tool will increase the risk of electric shock.
4. Do not abuse the cord. Never use the cord for carrying, pulling or unplugging the power tool. Keep cord away from heat, oil, sharp edges or moving parts. Damaged or entangled cords increase the risk of electric shock.
5. When operating a power tool outdoors, use an extension cord suitable for outdoor use. Use of a cord suitable for outdoor use reduces the risk of electric shock.
6. If operating a power tool in a damp location is unavoidable, use a residual current device (RCD) protected supply. Use of an RCD reduces the risk of electric shock.

Personal safety

1. Stay alert, watch what you are doing and use common sense when operating a power tool. Do not use a power tool while you are tired or under the influence of drugs, alcohol or medication. A moment of inattention while operating power tools may result in serious personal injury.

700W HVLP SPRAY GUN ERBAUER

2. Use personal protective equipment. Always wear eye protection. Protective equipment such as dust mask, non-skid safety shoes, hard hat, or hearing protection used for appropriate conditions will reduce personal injuries.
3. Prevent unintentional starting. Ensure the switch is in the off-position before connecting to power source and/or battery pack, picking up or carrying the tool. Carrying power tools with your finger on the switch or energising power tools that have the switch on invites accidents.
4. Remove any adjusting key or wrench before turning the power tool on. A wrench or a key left attached to a rotating part of the power tool may result in personal injury.
5. Do not overreach. Keep proper footing and balance at all times. This enables better control of the power tool in unexpected situations.
6. Dress properly. Do not wear loose clothing or jewellery. Keep your hair, clothing and gloves away from moving parts. Loose clothes, jewellery or long hair can be caught in moving parts.
7. If devices are provided for the connection of dust extraction and collection facilities, ensure these are connected and properly used. Use of dust collection can reduce dust-related hazards.

Power tool use and care

1. Do not force the power tool. Use the correct power tool for your application. The correct power tool will do the job better and safer at the rate for which it was designed.
2. Do not use the power tool if the switch does not turn it on and off. Any power tool that cannot be controlled with the switch is dangerous and must be repaired.
3. Disconnect the plug from the power source and/or the battery pack from the power tool before making any adjustments, changing accessories, or storing power tools. Such preventive safety measures reduce the risk of starting the power tool accidentally.
4. Store idle power tools out of the reach of children and do not allow persons unfamiliar with the power tool or these instructions to operate the power tool. Power tools are dangerous in the hands of untrained users.
5. Maintain power tools. Check for misalignment or binding of moving parts, breakage of parts and any other condition that may affect the power tool's operation. If damaged, have the power tool repaired before use. Many accidents are caused by poorly maintained power tools.
6. Keep cutting tools sharp and clean. Properly maintained cutting tools with sharp cutting edges are less likely to bind and are easier to control.
7. Use the power tool, accessories and tool bits etc. in accordance with these instructions, taking into account the working conditions and the work to be performed. Use of the power tool for operations different from those intended could result in a hazardous situation.

Service

Have your power tools serviced by a qualified repair person using only identical replacement parts. This will ensure that safety of the power tool is maintained.

700W HVLP SPRAY GUN ERBAUER

Spray gun safety instructions

1. Do not use the product for spraying flammable materials.
2. Be aware of any hazards presented by the material being sprayed. Consult the markings on the container or the information supplied by the manufacturer of the material to be sprayed.
3. Do not spray any material where the hazard is not known.
4. Use appropriate personal protective equipment, such as dust mask, safety goggles, protective gloves and ear protection.
5. Do not clean the product with flammable solvents.
6. Never use highly flammable or corrosive liquids. Only use paints and solvents with a flash-point above 21°C. Ask a professional for advice.
7. Never point the product toward open flames!
8. Do not allow children to play with the product. Never work near children or animals.
9. Never manipulate the product and always use the safety and/or protective guards on the product to avoid risks.
10. Risk of injury: Do not direct the product towards people or animals.
11. Never smoke during the paint process.
12. Always ensure sufficient circulation of fresh air.
13. Never use paint containing lead.
14. Before any work (such as transport, construction, conversion, cleaning or maintenance) and when the product is not being used, disconnect it from the power supply and empty the paint container!

Vibration and noise reduction

To reduce the impact of noise and vibration emission, limit the time of operation, use low-vibration and low-noise operating modes as well as wear personal protective equipment.

Take the following points into account to minimize the vibration and noise exposure risks:

1. Only use the product as intended by its design and these instructions.
2. Ensure that the product is in good condition and well maintained.
3. Use correct cutting attachments for the product and ensure they in good condition.
4. Keep tight grip on the handles/grip surface.
5. Maintain this product in accordance with these instructions and keep it well lubricated (where appropriate).
6. Plan your work schedule to spread any high vibration tool use across a longer period of time.

The European Physical Agents (Vibration) Directive has been brought in to help reduce hand arm vibration syndrome injuries to users of product's with vibration emission. The directive requires manufacturers and suppliers to provide indicative vibration test results to enable users to make informed decisions as to the period of time a product can be used safely on a daily basis and the choice of tool. Further Advice can be found at www.hse.gov.uk.

Emergency

Familiarise yourself with the use of this product by means of this instruction manual. Memorise the safety directions and follow them to the letter. This will help to prevent risks and hazards.

700W HVLP SPRAY GUN ERBAUER

1. **Always be alert when using this product, so that you can recognise and handle risks early.** Fast intervention can prevent serious injury and damage to property.
2. **Switch off and disconnect from the power supply if there are malfunctions.** Have the garden power tool checked by a qualified professional and repaired, if necessary, before you operate it again.

Measures to take in the event of contact with chemicals	
Skin contact	clean with plenty of water and soap, consult a doctor if necessary
Eye contact	rinse with plenty of water, consult a doctor
Swallowing	do not vomit, consult a doctor
Inhalation	fresh air, consult a doctor if necessary

Residual risks

Even if you are operating this product in accordance with all the safety requirements, potential risks of injury and damage remain. The following dangers can arise in connection with the structure and design of this product:

1. Health defects resulting from vibration emission if the product is being used over long periods of time or not adequately managed and properly maintained.
2. Injuries and damage to property due popped out accessories.
3. Risk of bursting.



















WARNING! This product produces an electromagnetic field during operation! This field may under some circumstances interfere with active or passive medical implants! To reduce the risk of serious or fatal injury, we recommend persons with medical implants to consult their doctor and the medical implant manufacturer before operating this product!

SYMBOLS

On the product, the rating label and within these instructions you will find among others the following symbols and abbreviations. Familiarise yourself with them to reduce hazards like personal injuries and damage to property.

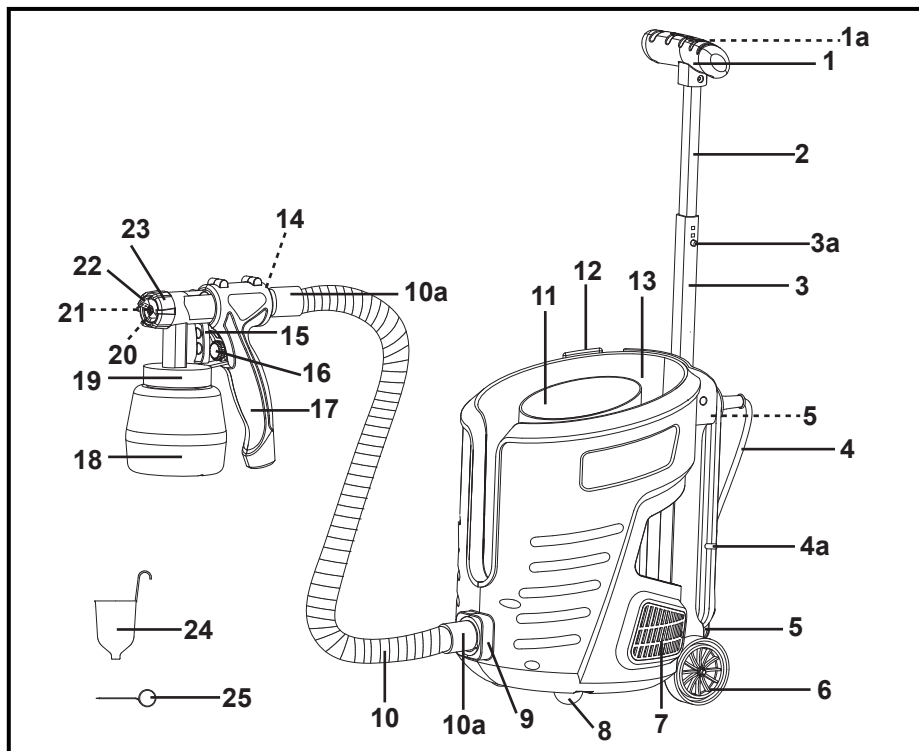
V~	Volt, (alternating voltage)	cm ³	Cubic centimetre
W	Watt	/min	per minute
Hz	Hertz	mm	Millimetre
mA	Milliampere	kg	Kilogram
mAh	Milliampere-hour	l/min	Litres per minute
A	Ampere	dB(A)	Decibel (A-rated)
kW	Kilowatt	m/s ²	Metres per second squared

700W HVLP SPRAY GUN ERBAUER

IP23	Protection against contact with the fingers, protection against solid foreign bodies with $\varnothing > 23$ mm as well as against splashed water from all directions		
yyWxx	Manufacturing date code; year of manufacturing (20yy) and week of manufacturing (Wxx)		
SN	Serial number		
	Caution / Warning.	 	Read the instruction manual.
	Wear hearing protection.		Wear protective gloves.
	Wear eye protection.		Wear protective clothing
	Wear respiratory protection.		Wear protective footwear.
	Switch the product off and disconnect it from the power supply before assembly, cleaning, adjustments, maintenance, storage and transportation.		
	Do not expose the product to rain or wet conditions.		
	Fluid and solvent can be highly flammable or combustible. Use the product only in well-ventilated area, and avoid any ignition sources, such as smoking, open flames and decrial hazard. Never point the product toward open flames!		
	Do not to direct the water jet onto people, animals, electrical equipment or onto the product itself.		
	Always ensure that other people and pets remain at a safe distance from the product when it is in operation. In general, children must not come near the area where the product is.		
CE	The product complies with the applicable European directives and an evaluation method of conformity for these directives was done.		
	This product is of protection class II. That means it is equipped with enhanced or double insulation.		
	WEEE symbol. Waste electrical products should not be disposed of with household waste. Please recycle where facilities exist. Check with your Local Authority or local store for recycling advice.		

700W HVLP SPRAY GUN ERBAUER

PRODUCT DESCRIPTION



1. Handle	9. Air outlet nozzle	18. Cup
a. Locking button	a. Slot	19. Cup lid
2. Upper extension	10. Air hose	a. Upper suction pipe
3. Lower extension	a. Connector	b. Lower suction pipe
a. Locking pin	b. Pin	c. Locking pin
4. Power cord with plug	11. Compartment for spray gun	d. Groove
a. Cord clip	12. On/off switch	20. Spray head
5. Power cord holder	13. Compartment for air hose	a. Spigot
6. Transportation wheel	14. Air inlet nozzle	21. Needle
7. Air filter case (both sides)	a. Slot	22. Spray nozzle
a. Screw	15. Trigger	a. Groove
b. Cover	16. Fluid adjustment knob	23. O-ring
c. Air filter	17. Handle	24. Viscosity measuring cup
d. Latch		25. Cleaning needle (with protector)
8. Foot		

700W HVLP SPRAY GUN ERBAUER

TECHNICAL SPECIFICATIONS

1. General

Rated voltage	: 220 - 240V~, 50 Hz
Rated power input	: 700 W
Protection degree	: IP23
Protection class	: II □
Weight	: 5.5 kg
Dimensions	: 27.5 x 27.5 x 48.5 mm

2. Spray gun

Spraying Pressure	: 0.1-0.3bar
Delivery Rate	: 1000ml/min
Max. Viscosity	: 50DIN-s
Diameter of nozzle	: 2.5 mm
Capacity of container	: 800 ml

3. Noise and vibration level

Sound pressure level LpA	: 81.3 dB(A)
Uncertainty K	: 3.0 dB(A)
Sound power level LWA	: 94.3 dB(A)
Uncertainty K	: 3.0 dB(A)
Vibration level ah	: <2.5 m/s ² (0.33 m/s ²)
Uncertainty K	: 1.5 m/s ²

The sound values have been determined according to noise test code given in EN 50144-1, using the basic standards EN ISO 11201 and EN ISO 3744.

The sound intensity level for the operator may exceed 85 dB(A) and ear protection measures are necessary.

The declared vibration value has been measured in accordance with a standard test method (according to EN 50144-1) and may be used for comparing one product with another. The declared vibration value may also be used in a preliminary assessment of exposure.



WARNING! Depending on the actual use of the product the vibration values can differ from the declared total. Adopt proper measures to protect yourself against vibration exposures. Take the whole work process including times the product is running under no load or switched off into consideration.

Proper measures include among others regular maintenance and care of the product and accessories, keeping hands warm, periodical breaks and proper planning of work processes.

700W HVLP SPRAY GUN ERBAUER

ACCESSORIES

Viscosity measuring cup (24)

Cleaning needle (25)

INTENDED USE

This electric spray gun ERB561SRG is designated with a rated input of 700 Watts. This spray gun is ideal for refinishing a wide variety of purposes. The intended use includes the mechanical spraying of liquid, paste or powdery substances such as paints containing solvents or water-based paints on components, surfaces, etc. The product may not be used for processing emulsion and latex paints or chlorinated solutions.

For safety reasons it is essential to read the entire instruction manual before first operation and to observe all the instructions therein.

This product is intended for private domestic use only, not for any commercial trade use. It must not be used for any purposes other than those described.

UNPACK

1. Unpack all parts and lay them on a flat, stable surface.
2. Remove all packing materials and shipping devices if applicable.
3. Make sure the delivery contents are complete and free of any damage. If you find that parts are missing or show damage do not use the product but contact your dealer.
4. Using an incomplete or damaged product represents a hazard to people and property.
5. Ensure that you have all the accessories and tools needed for assembly and operation. This also includes suitable personal protective equipment.

ASSEMBLY



WARNING! The product must be fully assembled before operation! Do not use a product that is only partly assembled or assembled with damaged parts!



Follow the assembly instructions step-by-step and use the pictures provided as a visual guide to easily assemble the product! Do not connect the product to power supply before it is completely assembled!



NOTE: Take care of small parts that are removed during assembly or when making adjustments. Keep them secure to avoid loss.

700W HVLP SPRAY GUN ERBAUER

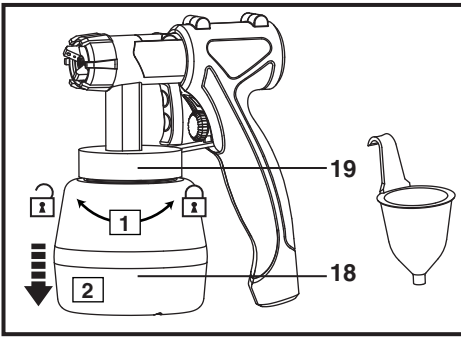


Fig. 1

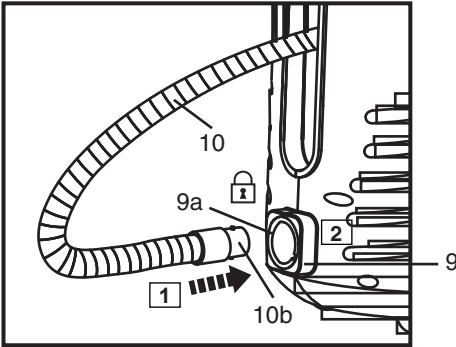


Fig. 2

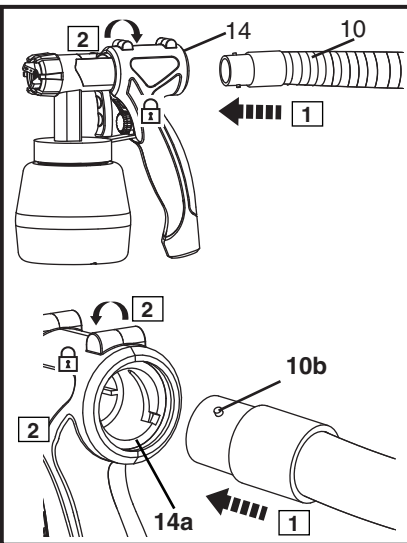


Fig. 3

Work area

1. Cover a wide area surrounding the spraying area thoroughly and keep the spraying area clean, dry and free of grease.
2. Use a piece of cardboard as a shield to catch overspray at the edges of the work to protect the other surfaces.
3. Roughen smooth surfaces before painting.

Paint

1. Strain material through filter or a paint strainer.
2. Thoroughly mix and thin the paint in accordance with the paint manufacturer's instructions. The correct viscosity of the paint will greatly influence the paint results. Mix the required total amount of paint to assure a consistent viscosity.
3. Remove the cup (18) from the lid (19) and fill it with the paint according to the scale on the cup (Fig. 1). Only fill as much paint or thinning agent as required.
4. Replace the cup (18) onto the spray gun by attaching with the lid (19). Make sure the cup and the lid have been attached tightly.

Air hose

1. This product is delivered with an air hose (10). It is completely pre-stored in the compartment (13) for the safety of transportation. Remove the air hose (10) from the compartment (13) to required length before assembly and operation.
2. Attach the air hose (10) to the air outlet nozzle (9) by securing the pins (10b) into the slots (9a) (Fig. 2).
3. Attach the air hose (10) to the air inlet nozzle (14) of the spray gun by securing the pins (10b) into the slots (14a) (Fig. 3).

700W HVLP SPRAY GUN ERBAUER

CONNECT TO POWER SUPPLY

1. Make sure the on/off switch (12) is in its off position (upper position) (Fig. 4).
2. Connect the plug with a suitable socket.



WARNING! Check the voltage!
The voltage must comply with the information on the rating label!

3. Your product is now ready to be used.

ON/OFF SWITCH

1. Press the on/off switch (12) to switch the product on (Fig. 5).
2. Press the on/off switch (12) again to switch the product off (Fig. 6).

FLUID ADJUSTMENT

Turn the fluid adjustment knob (16) anticlockwise to decrease the volume of the fluid output and clockwise to increase the volume of the fluid output (Fig. 7).

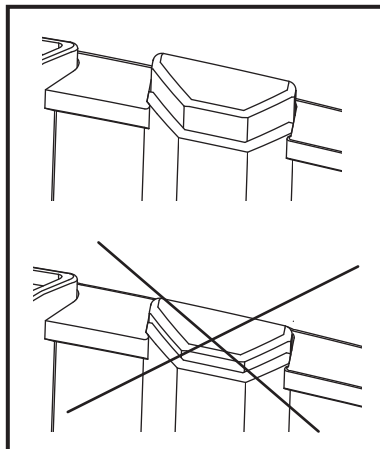


Fig. 4

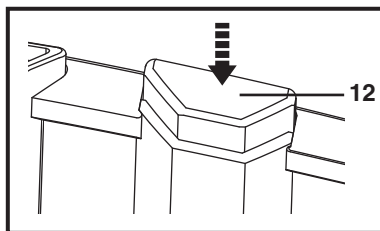


Fig. 5

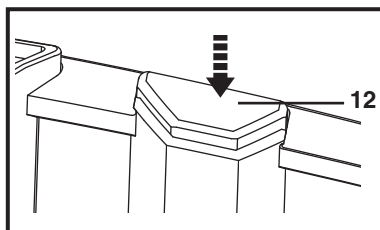


Fig. 6

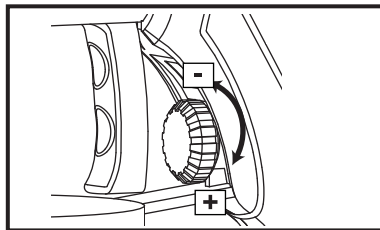


Fig. 7

SPRAY ANGLE ADJUSTMENT

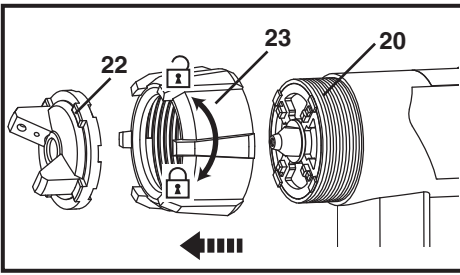


Fig. 8

1. Loosen the O-ring (23) by turning it anticlockwise and release the spray nozzle (22) and the O-ring (23) from the spray head (20) (Fig. 8).
2. Set up the direction of the paint stream to the desired position by aligning the grooves (22a) of the spray nozzle (22) with the spigots (20a) of the spray head (20) (Fig. 9, 10).
3. Tighten the O-ring (23) clockwise to secure the spray nozzle (22) with the spray head (20).

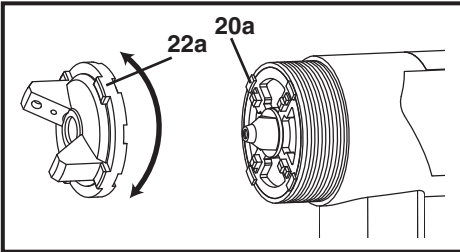


Fig. 9

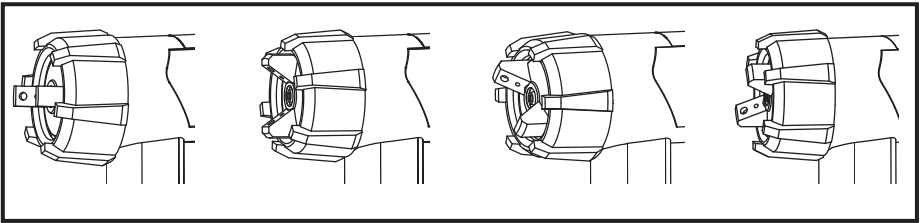
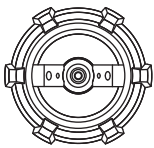
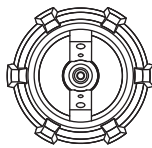


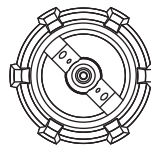
Fig. 10



Vertical Jet



Horizontal Jet



Round Jet

700W HVLP SPRAY GUN ERBAUER

OPERATION

1. General operation

- > Check the product, the power cord and plug as well as accessories for damage before each use. Do not use the product if it is damaged or shows wear.
- > Double check that the accessories are properly fixed.
- > Always hold the product by its handle. Keep the handle and surfaces clean and dry to ensure safe support.
- > Release the trigger immediately if you are disturbed while working with it and when other people enter the working area.
- > Switch the product off immediately if you are disturbed while working by other people entering the working area. Always let the product come to complete stop before putting it down.
- > Do not overwork yourself. Take regular breaks to ensure concentrated work and full control over the product.



WARNING! In some countries regulations define at what time of the day and on what special days products are allowed to be used and what restrictions apply! Ask your community for detailed information and observe the regulations in order to preserve a peaceful neighbourhood and avoid committing administrative offences! (not applicable for UK)

2. Spraying



NOTE: Perform several spray tests to select the correct paint/air ratio with regulating the pattern adjustment knob and the fluid adjustment knob. Start painting on the work surface after the tests show a satisfied result.

- > Set up a piece of cardboard or other scrap material to use as a target and adjust for best spray pattern.



WARNING! Never aim or spray at yourself or anybody else which would cause serious injury.

- > Test the consistency of the material by making a few strokes on a cardboard target. If material still appears too thick, add a small amount of thinner. Do not exceed paint manufacturer's thinning recommendations.
- > Keep the spray nozzle (22) about 15 to 30 cm from the work surface. Move the spray gun keeping perpendicular with spraying area.
- > Completely pull the trigger (15) and then move it parallel for several times. Stopping gun movement in mid-stroke will cause a build-up of paint and result in runs. Do not fan the gun from side to side while painting. This will cause a build-up of paint in the centre of the stroke and an insufficient coating at each end (Fig. 11).

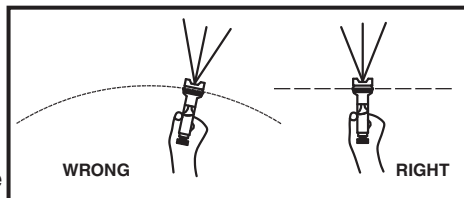


Fig. 11

- > Trigger the spray gun properly. Start the gun moving at the beginning of the stroke before squeezing the trigger (15) and release the trigger (15) before stopping the gun movement at the end of the stroke. This procedure will blend each stroke with the next without showing overlap or unevenness.
- > The amount of paint being applied can be varied by the speed of the stroke, the distance from the surface and the adjustment of the fluid adjustment knob (16).
- > Overlap strokes just enough to obtain an even coat.
- > Do not disrupt the paint flow by letting go of the trigger.



NOTE: Two thin coats of paint will yield better results and have less chance of runs than one heavy layer.

3. After use

- > Switch the product off, disconnect the product from the power supply and let it cool down.
- > Check, clean and store the product as described below.

4. The golden rules for care



WARNING! Always switch the product off, disconnect the product from the power supply and let the product cool down before performing inspection, maintenance and cleaning work!



- > Keep the product clean. Remove debris from it after each use and before storage.
- > Regular and proper cleaning will help ensure safe use and prolong the life of the product.
- > Inspect the product before each use for worn and damaged parts. Do not operate it if you find broken and worn parts.



WARNING! Only perform repairs and maintenance work according to these instructions! All further works must be performed by a qualified specialist!

5. General cleaning



WARNING! Never use metal or other objects that could damage the holes in the nozzle and cap. Never immerse the product completely in solvent or other liquids.



NOTE: Do not use chemical, alkaline, abrasive or other aggressive detergents or disinfectants to clean this product as they might be harmful to its surfaces.

- > Clean the product immediately after each use. If the product clogs up, take steps as described below.
- > Release the trigger (15) and switch off the product.
- > Clean all the paint passages and the nozzle after each use with a slightly damp cloth and a little soap. Use the brush (not supplied) for hard to reach places.

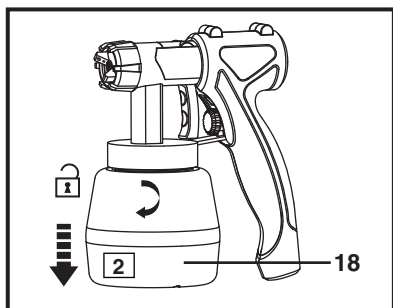


Fig. 12

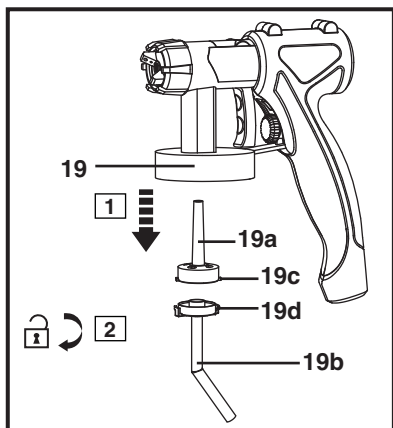


Fig. 13

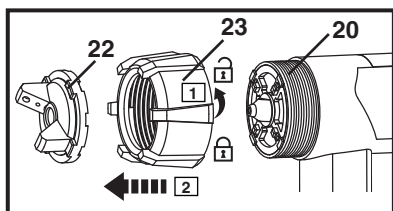


Fig. 14

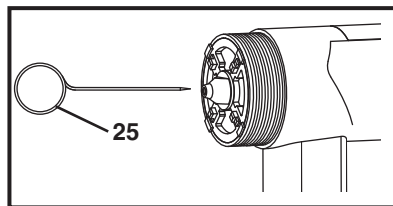


Fig. 15

- > Empty all paint from the cup (18) by pouring it into another container. Thoroughly clean the cup (18) with a suitable cleaning agent, which does not contain oil.
- > Fill cleaning agent into the cup (18), switch on the product and spray it through the spray head (20) until the cleaning agent exits as a clear, transparent mist.
- > Switch off the product, disconnect it from the power supply and remove the cup (18) from the spray gun (Fig. 12).
- > Remove the attached pipes (19a, 19b) from the lid (19) and disassemble the lower suction pipe (19b) from the upper suction pipe (19a) by releasing the locking pins (19c) from the grooves (19d) (Fig. 13).
- > Disassemble the spray head (20) by removing the O-ring (23) and the spray nozzle (22) (Fig. 14).
- > Carefully clean all the disassembled parts with a cleaning agent. Use a cleaning needle (25) to remove any paint residue from the nozzle hole (Fig. 15).
- > Reassemble the product. If the product is not used for a longer time, add lubricant to the needle and connect the product to the power supply, switch it on and operate it for a moment.
- > Attention:
 - Never use aggressive solvents for cleaning.
 - Never use hard materials like wire, wood, screw drivers etc. or abrasive agents for cleaning.
 - Never submerge the product in cleaning agent.
 - To store the product, attach the cup (18) to the spray gun.
- > Turn the fluid adjustment knob (16) anticlockwise to open which will reduce spring tension on the needle fluid tip.

6. Air filter

This product is supplied with two air filter cases on each side of the main body. Inspect the air filter regularly. Replace it with a new one if necessary.

- > Loosen the screw (7a) anticlockwise and remove the cover (7b) (Fig. 16).
- > Remove the filter (7c) and tap it on a solid surface to remove dust. Use compressed air (max. 3 bar) to remove stubborn dust.
- > Replace the cover (7b) and tighten the screw clockwise.

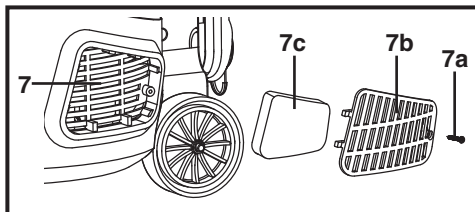


Fig. 16

7. Maintenance

Before and after each use, check the product and accessories (such as application tools) for wear and damage. If required, exchange them for new ones as described in this instruction manual. Observe the technical requirements.

8. Power cord

If the power cord is damaged, it must be replaced by a special cord or assembly available from the manufacturer or its service agent.

9. Repair

Check for any damage and wear. Repair damages in accordance with this instruction manual or take it to an authorised service centre before using the product again.

This product does not contain any parts that can be repaired by the consumer. Contact an authorised service centre or a qualified person to have it checked and repaired.

10. Storage

- > Clean the product as described above.
- > Store the product and its accessories in a dry, frost-free place.
- > Always store the product in a place that is inaccessible to children. The ideal storage temperature is between 10 and 30°C.
- > We recommend using the original package for storage or covering the product with a suitable cloth or enclosure to protect it against dust.

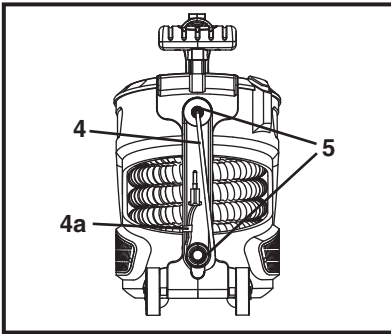


Fig. 17

- > Wrap the power cord (4) onto the holders (5) and secure it with the clip (4a) (Fig. 17).
- > Disconnect the air hose (10) from the spray gun and the air outlet nozzle (9). Store the air hose (10) and the spray gun in their storage compartments (11, 13) of the product (Fig. 18, 19).



NOTE: Check the product for possible wear and damage before re-use, in accordance with the instructions.

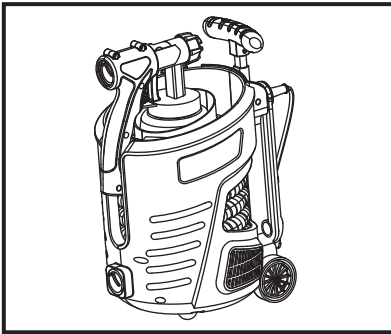


Fig. 18

11. Transportation

- > Inspect the grass catcher (10) before each use. Do not use it if you find any damage.
- > Clean the grass catcher (10) after operation using water and mild soap.
- > Let the grass catcher dry thoroughly before storing to avoid mildew.
- > Always transport the product by its handles. The product is supplied with a 2-step-extension handle (1). Pull the handle upwards to desired height by pressing the lock button (1a). Ensure the locking pin (3a) is clicked into the place (e.g. locking hole) (Fig. 20).
- > Protect the product against impacts, bumps and vibrations, such as during transport.
- > Secure the product to prevent it from slipping or falling over.

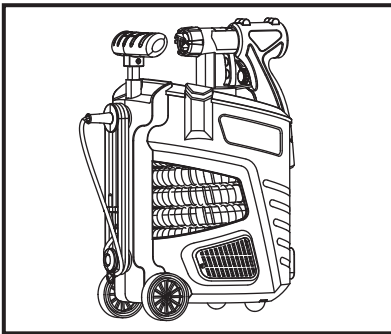


Fig. 19

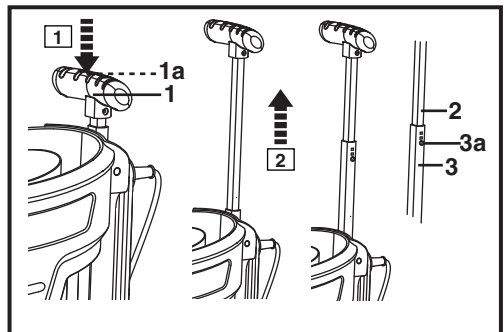
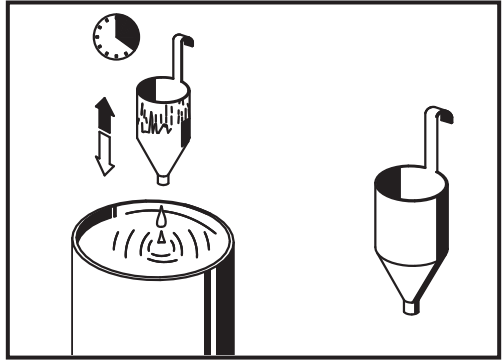


Fig. 20



12. Selecting the spray material
Measure the viscosity of the paint.

> To determine this first thoroughly stir the paint. Dip the viscosity cup into the paint and fill just below the cups rim. Raise the cup and measure the time taken for the paint to run out. This will give a D.I.N. The maximum viscosity for this product is max D.I.N.50 (for 2.5 mm nozzle) 50 seconds.



13. Trouble shooting

Suspected malfunctions are often due to causes that the users can fix themselves. Therefore check the product using this section. In most cases the problem can be solved quickly.



WARNING! Only perform the steps described within these instructions! All further inspection, maintenance and repair work must be performed by an authorised service centre or a similarly qualified specialist if you cannot solve the problem yourself!

Problem	Possible cause	Solution
1. Product does not start	1.1 Not connected to power supply 1.2 Power cord or plug is defect 1.3 Other electrical defect to the product	1.1 Connect to power supply 1.2 Check by a specialist electrician 1.3 Check by a specialist electrician
2. Product does not reach full power	2.1 Extension cord not suitable for operation with this product 2.2 Power source (e.g. generator) has too low a voltage	2.1 Use a suitable extension cord 2.2 Connect to another power source
3. Excessive vibration/noise	3.1 Screw and nuts loosened	3.1 Check screws and nuts for tightness and re-tighten as necessary

Problem	Possible cause	Solution
4. Fluttering or spitting	4.1 Not enough paint in the cup 4.2 Container tipped too far 4.3 Spray nozzle loose, worn or damaged 4.4 Dry, worn or damaged needle	4.1 Add paint 4.2 Hold more upright 4.3 Tighten or replace spray nozzle 4.4 Lubricate or replace needle
5. Paint pattern curvy	5.1 Spray nozzle worn or loose 5.2 Spray head plugged up	5.1 Tighten spray nozzle or replace 5.2 Clean or replace spray head
6. Irregular paint pattern	6.1 Spray head plugged up 6.2 Spray nozzle dirty or worn	6.1 Clean or replace spray head 6.2 Clean or replace spray nozzle
7. Paint pattern centre narrow	7.1 Not enough paint in the cup or viscosity too low 7.2 Fluid output	7.1 Refill paint, mix viscosity according to manufacturer recommendation 7.2 Adjust fluid output
8. Uneven paint pattern	8.1 Viscosity too high 8.2 Fluid output	8.1 Mix viscosity according to manufacturer recommendation 8.2 Adjust fluid output

13. Recycling and disposal

The product comes in a package that protects it against damage during shipping. Keep the package until you are sure that all parts have been delivered and the product is function properly. Recycle the package afterwards.

Old products are potentially recyclable under WEEE and do not, therefore, belong in your household rubbish. You are requested to assist us and our contribution to saving resources and protecting the environment by handing in this appliance at an equipped collection centre (if there is one available).

Dispose of paint and thinning agent in closed containers at a suitably authorised disposal company. Take account of national and local disposal regulations.



14. Power cord

If the power cord is damaged, it must be replaced by the manufacturer, its service agent or similarly qualified persons in order to avoid a safety hazard.

700W HVLP SPRAY GUN ERBAUER

PLUG REPLACEMENT (UK & IRELAND ONLY)

If you need to replace the fitted plug then follow the instructions below.

IMPORTANT

The wires in the mains lead are colours in accordance with the following code:

BLUE = NEUTRAL

Brown = Live

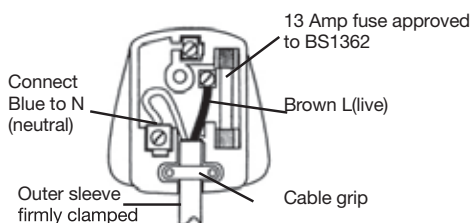
As the colours of the wires in the mains lead of this appliance may not correspond with the colours markings identifying the terminals in your plug, proceed as follows. The wire which is colour blue must be connected to the terminal which is marked with N. The wire which is colour brown must be connected to the terminal which is marked with L.



Warning:

Never connect live or neutral wires to the earth terminal of the plug. **Only fit an approved 13AMP BS1363/A plug and the correct rated fuse.**

Note: If a moulded plug is fitted and has to be removed take great care in disposing of the plug and severed cable, it must be destroyed to prevent engaging into a socket.



700W HVLP SPRAY GUN ERBAUER

Erbauer®

DECLARATION OF CONFORMITY

We, Importer
Erbauer (UK) Ltd BA22 8RT

Declare that the product
Description: **700W Spray Gun**
Model: **ERB561SRG**

Complies with the following Directives,
EC Machinery Directive **2006/42/EC**
EC Low Voltage Directive **2006/95/EC**
EC Electromagnetic Compatibility Directive **2014/30/EU**
Restrictions of the Use of Certain Hazardous Substances in Electrical and Electronic Equipment **2011/65/EU**
Waste Electrical and Electronic Equipment (WEEE) **2012/19/EU**

Standards conform to:
EN55014-1 :2006/A2 :2011
EN55014-2 :1997/A2 :2008
EN61000-3-2 :2006/A2 :2009
EN61000-3-3:2013
EN60335-1/A11:2014
EN50580/A1:2013
EN62233:2008

Authorised Signatory and technical file holder

Date: 09/04/15

Signature: P.C. Harries

Name / title: Peter Harries / Quality Manager
Erbauer (UK) Ltd, Trade House, Mead Avenue, BA22 8RT



700W HVLP SPRAY GUN ERBAUER

Erbauer®

700W HVLP SPRAY GUN ERBAUER