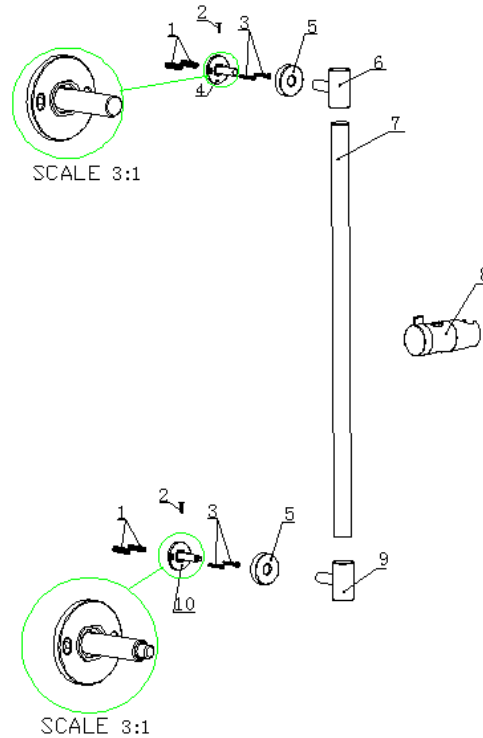




Fitting Instructions

Riser Rail



PARTS SUPPLIED

ITEM	DESCRIPTION	QTY
1	wall plug	4
2	bracket screw (Ø 3 x 14 mm)	2
3	wall screw (Ø 4 x 25 mm)	4
4	adjustable wall bracket holder	1
5	bracket cover	2
6	adjustable wall bracket	1
7	Sliding rail	1
8	shower holder	1
9	stationary wall bracket	1
10	stationary wall bracket holder	1

TOOLS REQUIRED

power drill
drill bit
Cross head screw driver
Pencil

BEFORE YOU START

- a) Identify all components and check pack contents.
- b) The screws and wall plugs supplied are only suitable for use in solid walls.
- c) Ensure there are no hidden service pipes or cables where you intend to drill.
- d) If drilling into ceramic tiles, please use a ceramic drill bit.
- e) Please be careful of your safety while drilling.
- f) **TURN OFF WATER MAINS SUPPLY.** The mains stopcock is usually situated where the supply enters the building.
- g) It is also recommended that the water heating arrangements are turned off.
- h) Isolate the hot and cold water supply.

INSTALLATION

- 1) Mark the positions of two drill holes. Suggest the distance from upper hole to lower hole is about 400 ~ 500 mm. Drill the wall in marked positions by using the power drill. Then insert the wall plugs (1).
- 2) Make sure the screw holes of adjustable wall bracket holder (4) and stationary wall bracket holder (10) are central with the wall plugs (1). Fix the holders with screws (3) by cross head screw driver.
- 3) Install the bracket covers (5) into the circle column of both adjustable wall bracket (6) and stationary wall bracket (9).
- 4) Put the shower holder (8) onto the sliding rail (7), the larger opening of the shower holder (8) should point upward.
- 5) Make sure the rail end with round hole (7) points downward. Install the adjustable wall bracket (6) above the shower holder (8) and the stationary wall bracket (9) beneath it. Insert adjustable wall bracket holder (4) and stationary wall bracket holder (10) into the round holes of the adjustable wall bracket (6) and the stationary wall bracket (9). Fix them with bracket screws (2).
- 6) Put the bracket covers (5) close to the wall.

Please Note: The longer bracket holder is stationary wall bracket holder (10) and the shorter bracket holder is adjustable wall bracket holder (4). Both ends of adjustable wall bracket (6) are open and stationary wall bracket (9) only one end is open.

AFTER CARE

- a) To maintain the appearance of this fitting, ensure it is cleaned only using a clean soft damp cloth.
- b) A solution of warm water and mild liquid detergent may be used where necessary and then rinsed thoroughly. Abrasive cleaners or acidic cleaners **MUST NOT BE USED** under any circumstances. Avoid contact with solvents.
- c) Please use non-return valves on your shower system.
- d) Please retain these instructions for future reference.