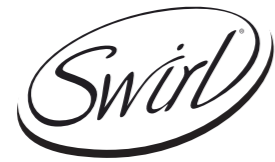
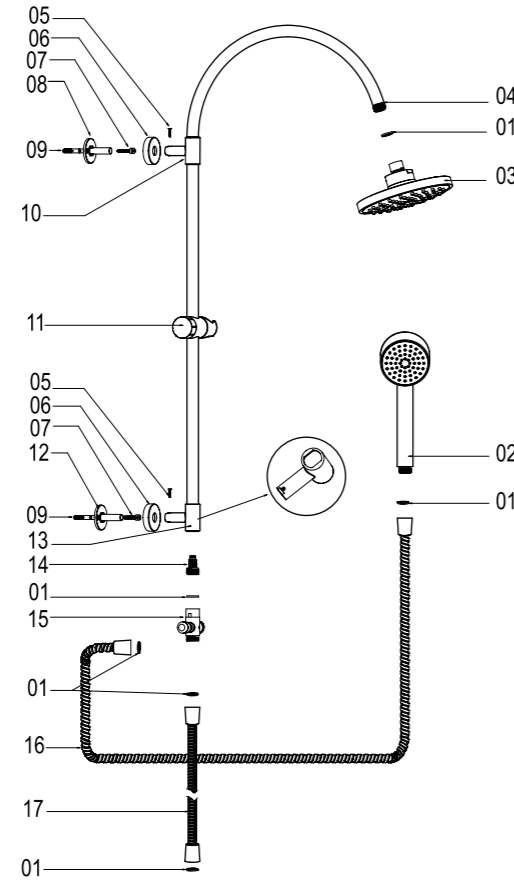


Part NO : KMU0076A00
 Material :80g Wood paper
 Size : 210 x 290 mm
 Colour : 1C+1C



Fitting Instructions Round Full System



PARTS SUPPLIED

ITEM	DESCRIPTION	QTY
1	Washer	6
2	Hand Shower	1
3	Rain Shower	1
4	Stainless Steel Rod	1
5	Small Screw (ø2.6x14)	2
6	Wall Bracket Cover	2
7	Screw (ø4.0x30)	4
8	Plastic Bracket Support	1
9	Wall Plugs	4
10	Adjustable Wall Bracket	1
11	Sliding Cradle	1
12	Metal Bracket Support	1
13	Fixed Wall Bracket	1
14	Adaptor	1
15	Divertor	1
16	150cm Hose	1
17	50cm Hose	1

TOOLS REQUIRED

Power Drill
Drill Bit
Cross Head Screw Driver
Pencil

BEFORE YOU START

- Identify all components and check pack contents.
- The screws and wall plugs supplied are only suitable for use in solid walls.
- Ensure there are no hidden service pipes or cables where you intend to drill.
- If drilling into ceramic tiles, please use a ceramic drill bit.
- Please be careful of your safety while drilling.
- Isolate the hot and cold water supply.

INSTALLATION

- Mark the desired position for the top Adjustable Wall Bracket (8) & then mark the position for the bottom Fixed Wall Bracket (12); & then drill holes & insert the Wall Plugs (9).
- Screw in the Top Plastic Bracket Support (8) & the Bottom Metal Bracket Support (12).
- Install the Adjustable Wall Bracket (10), Sliding Cradle (11) and the Fixed Wall Bracket (13) onto the Stainless Steel Rod (4). Insert the Bracket Cover (6) onto the Bracket Supports & then lock the Stainless Steel Rod (4) in position with the Small Screws (5).
- Screw in the Adaptor (14) at the bottom of the Stainless Steel Rod (4) & then install the Brass Divertor (15) with washer (1).
- Fix the 150 cm Stainless Steel Hose (16) & the 50 cm Stainless Steel Hose (17) with the washers (1) on Divertor (15) as per the drawing.
- Install the Rain Shower Head (3) & Hand Shower (2) to the top end of the Stainless Steel Rod (4) & the other end of the 150 cm Stainless Steel Hose (16) with the washers (1).
- Finally, connect the bottom end of the 50mm Stainless Steel Hose (17) to your Bath Shower mixer (not supplied) using washer (1) & enjoy.

AFTER CARE

- To maintain the appearance of this fitting, ensure it is cleaned only using a clean soft damp cloth.
- A solution of warm water and mild liquid detergent may be used where necessary and then rinsed thoroughly. Abrasive cleaners or acidic cleaners **MUST NOT BE USED** under any circumstances. Avoid contact with solvents.
- Do not lay the hand shower into dirty water.
- The minimum operating water pressure is 0.5 bar for satisfactory performance.
- Please retain these instructions for future reference.

MANUFACTURER'S GUARANTEE

This shower set is guaranteed to be free from faults arising from manufacturing defects for a period of 1 year from the date of purchase. Retain proof of purchase.

Watersmith UK Ltd, BA22 8RT

Model 46555