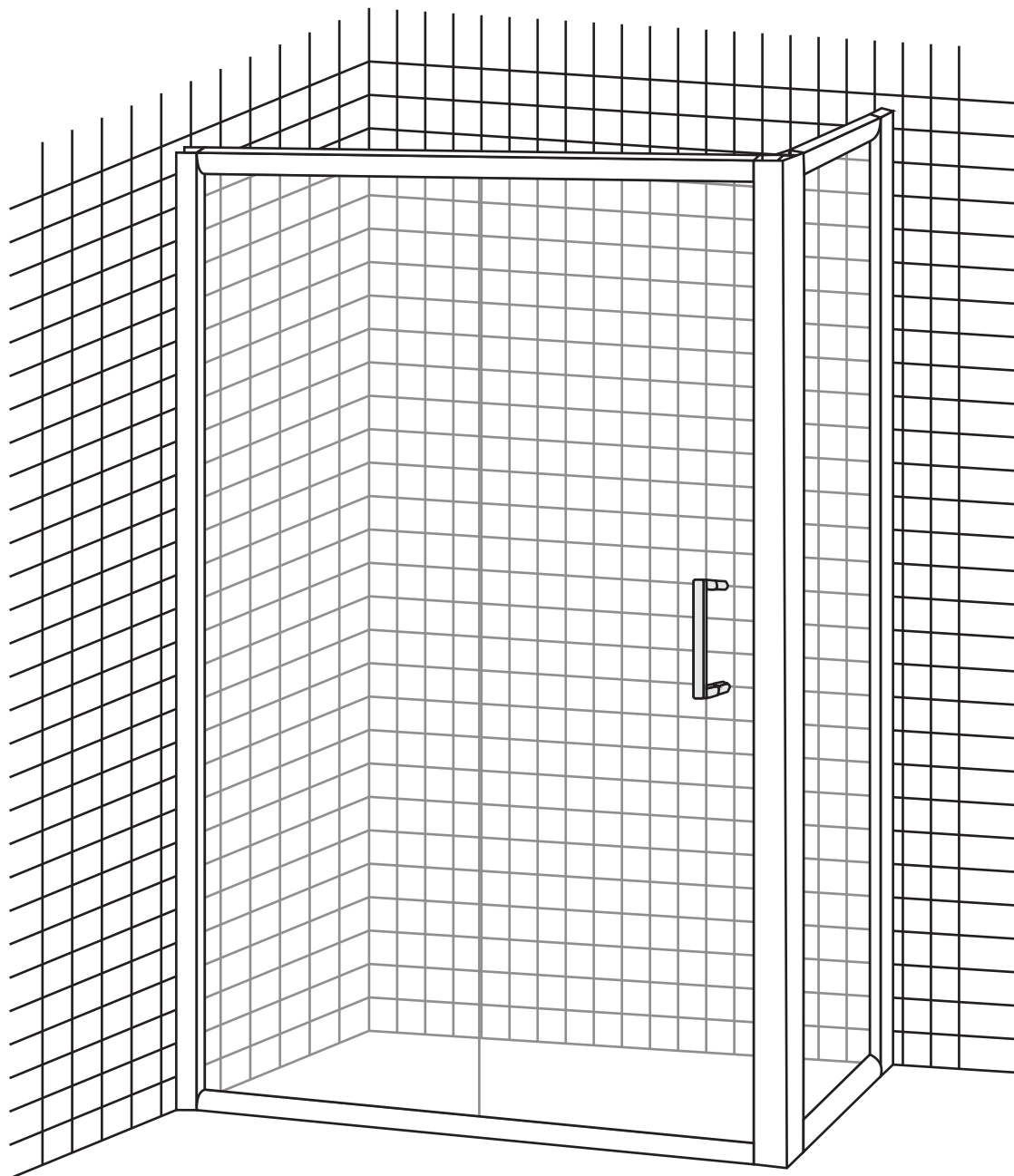


# SLIDING SHOWER ENCLOSURE INSTALLATION MANUAL



Product Reference (Barcode) :

MBIES1002(5034109669504)

MBIES1102(5034109669511)

MBIES1212(5034109669498)

MBIES1502(5034109115551)

MBIES1702(5034109115568)

MBIED7602(5034109669528)

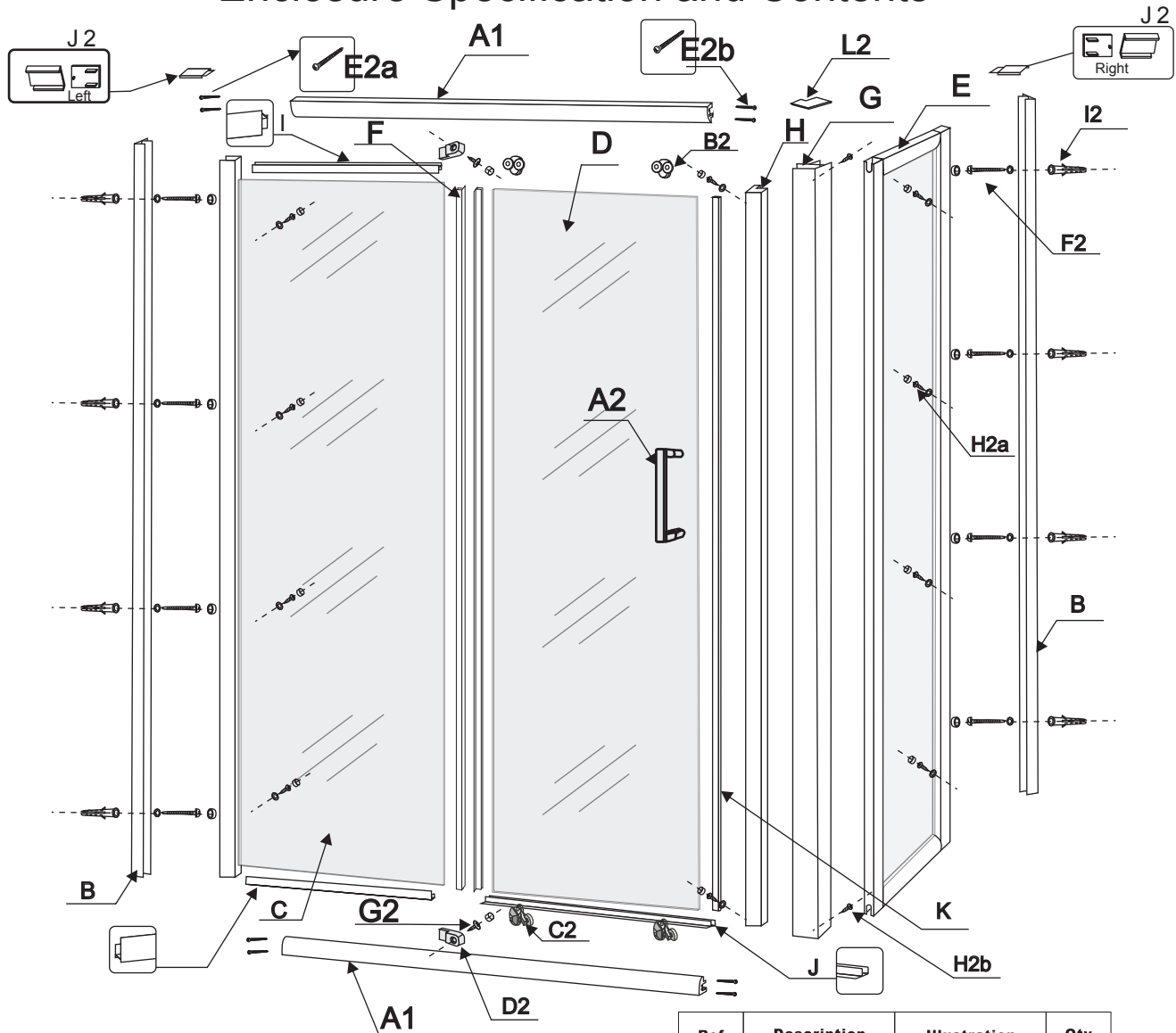
MBIED8012(5034109669535)

MBIED9004(5034109669542)

# TABLE OF CONTENTS

Enclosure specification and contents .....	3
Tools Required (Not supplied) .....	4
Pre-installation and Technical Requirements .....	5
Important Safety Notes and Aftercare Instructions .....	5
Fixed Door Assembly .....	6
Sliding Door Assembly .....	7-8
Wall Profile Assembly (Sliding Door) .....	9-10
Sliding Door and Side panel Assembly (Sliding Enclosure) .....	11
Wall Profile Assembly (Sliding Enclosure) .....	12-13
Apply Silicone Sealant (Sliding Enclosure) .....	14

# Enclosure Specification and Contents



Ref	Description	Qty
A1	TOP & BOTTOM RAILS	2
B	WALL PROFILE	2
C	FIXED DOOR	1
D	SLIDING DOOR	1
* E	SIDE PANEL	1
F	VERTICAL SEAL	2
* G	CORNER PROFILE	1
H	SLIDING GLASS PROFILE	1
I	SPLASH SEAL	2
J	HORIZONTAL SEAL	1
K	MAGNETIC DOOR SEAL	1

Ref	Description	Illustration	Qty
A2	handle		1
B2	top roller		2
C2	bottom roller		2
D2	glass clip and cover cap		2
E2a	stainless steel screws: 3.5*35		4
E2b	stainless steel screws: 4*45		4
F2	stainless steel screws with washers and caps: 4*25		8
G2	stainless steel screws: 4*10		2
* H2a	stainless steel screws with washers and caps: 4*10		2
H2a	stainless steel screws with washers and caps: 4*10		8
* H2b	stainless steel screws: 4*10		2
I2	expandable wall plug		8
J2	profile cap		1
K2	3mm Drill bit		1
* L2	corner profile cap		1
N3	Stainless steel washer		2
M3	Allen key		1

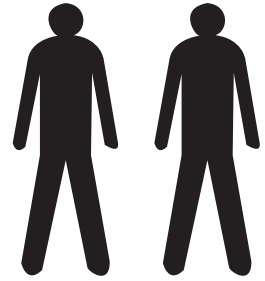
NOTE: THE ITEMS MARKED WITH AN ASTERISK "\*" ARE SUPPLIED WITHIN THE SIDE PANEL PACK (PURCHASED SEPARATELY)

# Tools Required(Not Supplied)

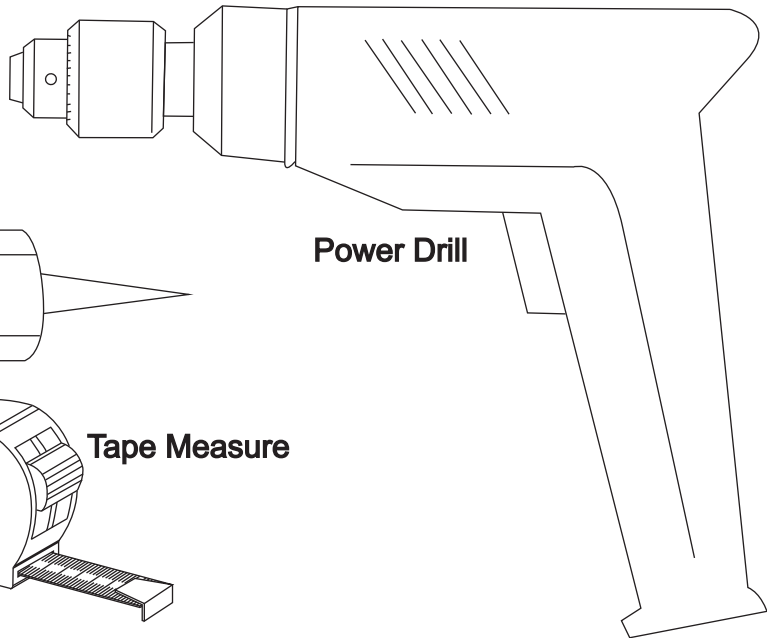
## TOOLS REQUIRED(NOT SUPPLIED)

When you're ready to start, make sure that you have the parts listed and the following tools to hand, plenty of space and a clean dry area for assembly.

Two people are needed. Please note : although these instructions are comprehensive, we always recommend that a technically competent installer should undertake installation.

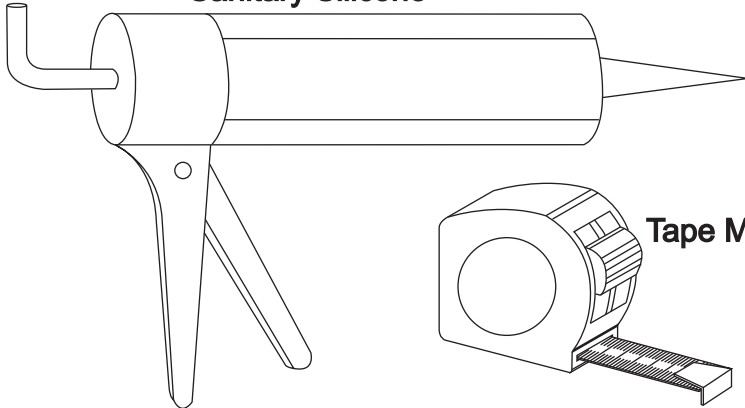


**Drill Bit to suit wall construction  
6 mm**

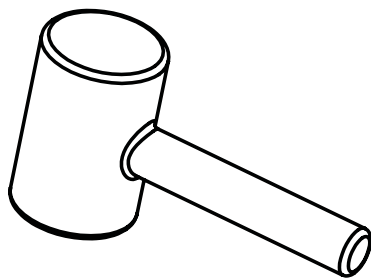
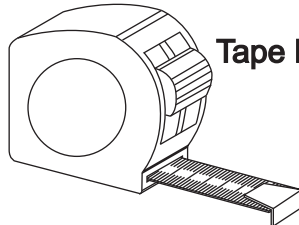


**Power Drill**

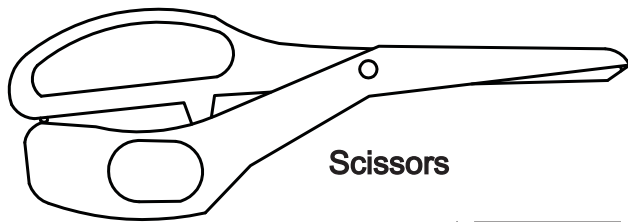
**Sanitary Silicone**



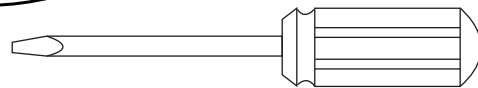
**Tape Measure**



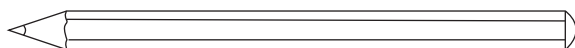
**Rubber Mallet**



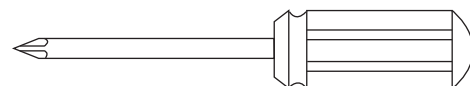
**Scissors**



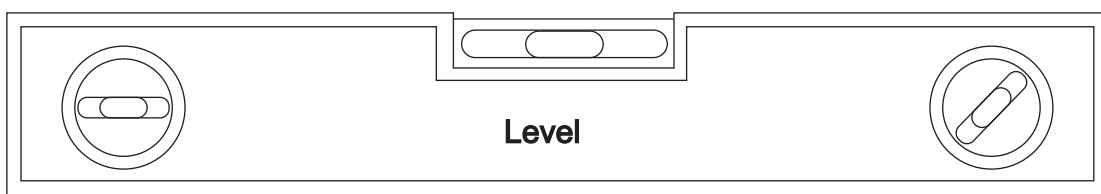
**Flat Blade Screwdriver**



**Pencil**



**Magnetic Crosshead Screwdriver**



**Level**

## PRE-INSTALLATION AND TECHNICAL REQUIREMENTS

- All dimensions are shown in millimeters, except where otherwise indicated.
- Ensure that the enclosure set is fitted to a level floor and vertical wall surface.
- This instruction manual is applicable for both pre-tiled wall and plain walls.  
10mm distance is reserved for tiling of plain walls.

Please note: The wall fixings included with this product are suitable for solid walls only. Plasterboard or stud walls may require specialized fixings (not supplied).

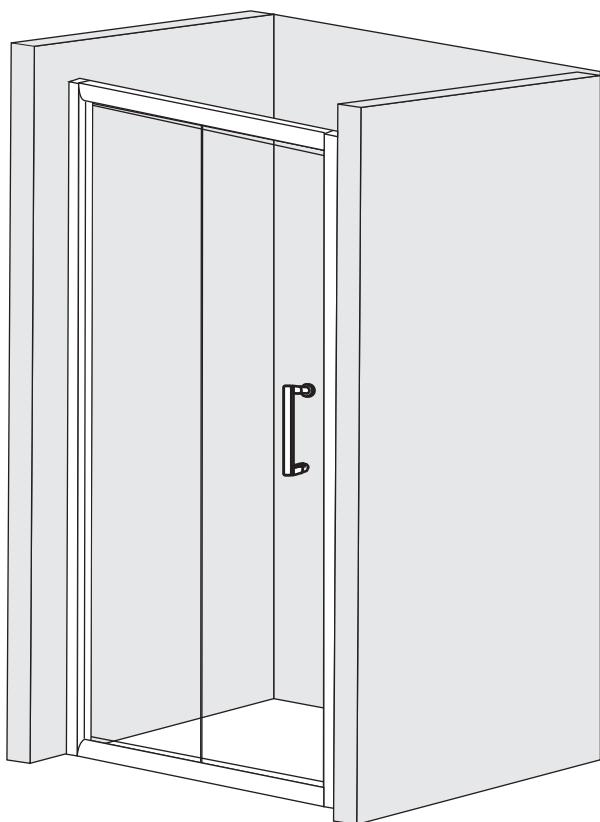
Due to the possibility of residual spray, the area around the outside of the shower tray should be tiled, or made otherwise water resistant.

## IMPORTANT SAFETY NOTES

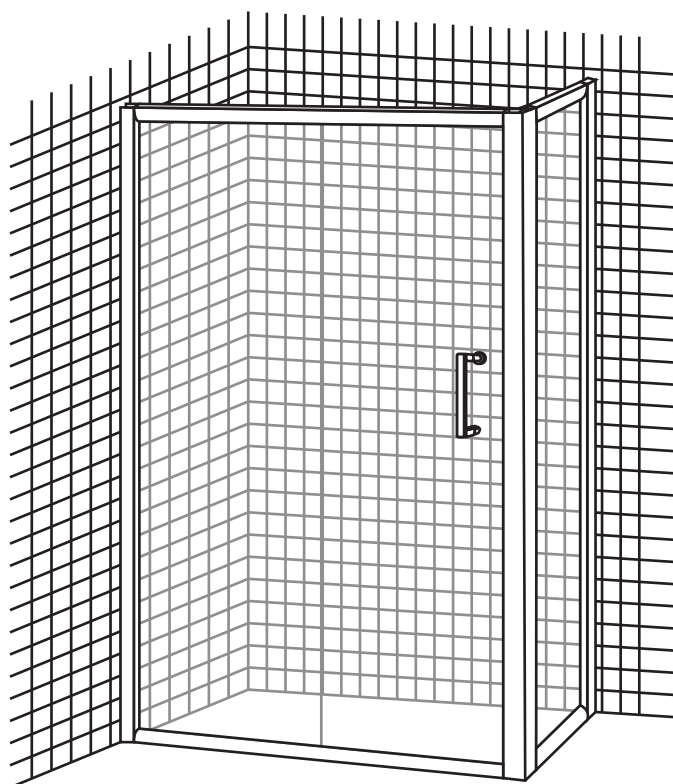
- THE GLASS IS RETAINED IN THE PROFILES TO A DEPTH OF 10MM.  
Under no circumstance should it be attempted to drill through the profiles in this region.  
Damage to the glass and injury may occur.
- Please handle all glass with care, avoiding knocks and shock loading to all sides and edges.  
Safety glass cannot be reworked.
- Care should be taken when drilling into walls to avoid hidden pipes or electrical cables.

## AFTERCARE INSTRUCTIONS

- Soap and water will be adequate to clean the glass – a glass cleaner can be used if required.
- In hard water districts, insoluble lime salts may be deposited on the glass. If this deposit is allowed to build up it becomes increasingly difficult to remove and looks unsightly. Regular cleaning will minimise this effect.



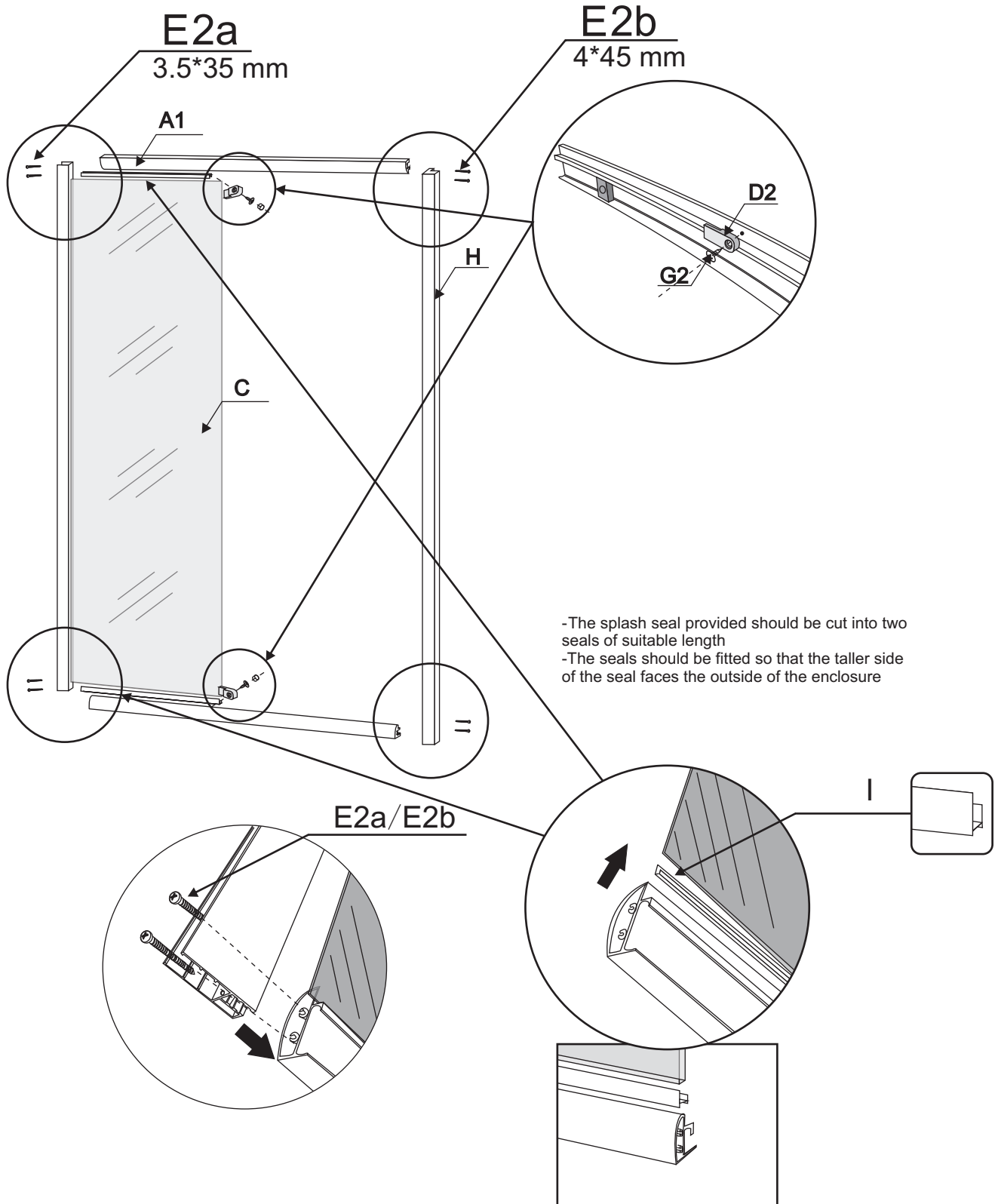
SLIDING DOOR



SLIDING ENCLOSURE

# Fixed Door Assembly

- Insert the glass clips (D2) into the the top and bottom rails (A1).
- Secure the clips with screws ST4x10 (G2) and place the cover caps onto the clips.
- Cut the splash seal (I) into two suitable lengths and push onto the top and bottom of the fixed glass panel (C). Note that the seals should be fitted so that the taller side of the seal faces the outside of the enclosure (see diagram below)
- Fit the top and bottom rails (A1) to the fixed door (C) using screws ST3.5x35(E2a)
- Fit the sliding glass profile (H) to the top and bottom rails (A1) using screws ST4x45(E2b)



## Sliding Door Assembly

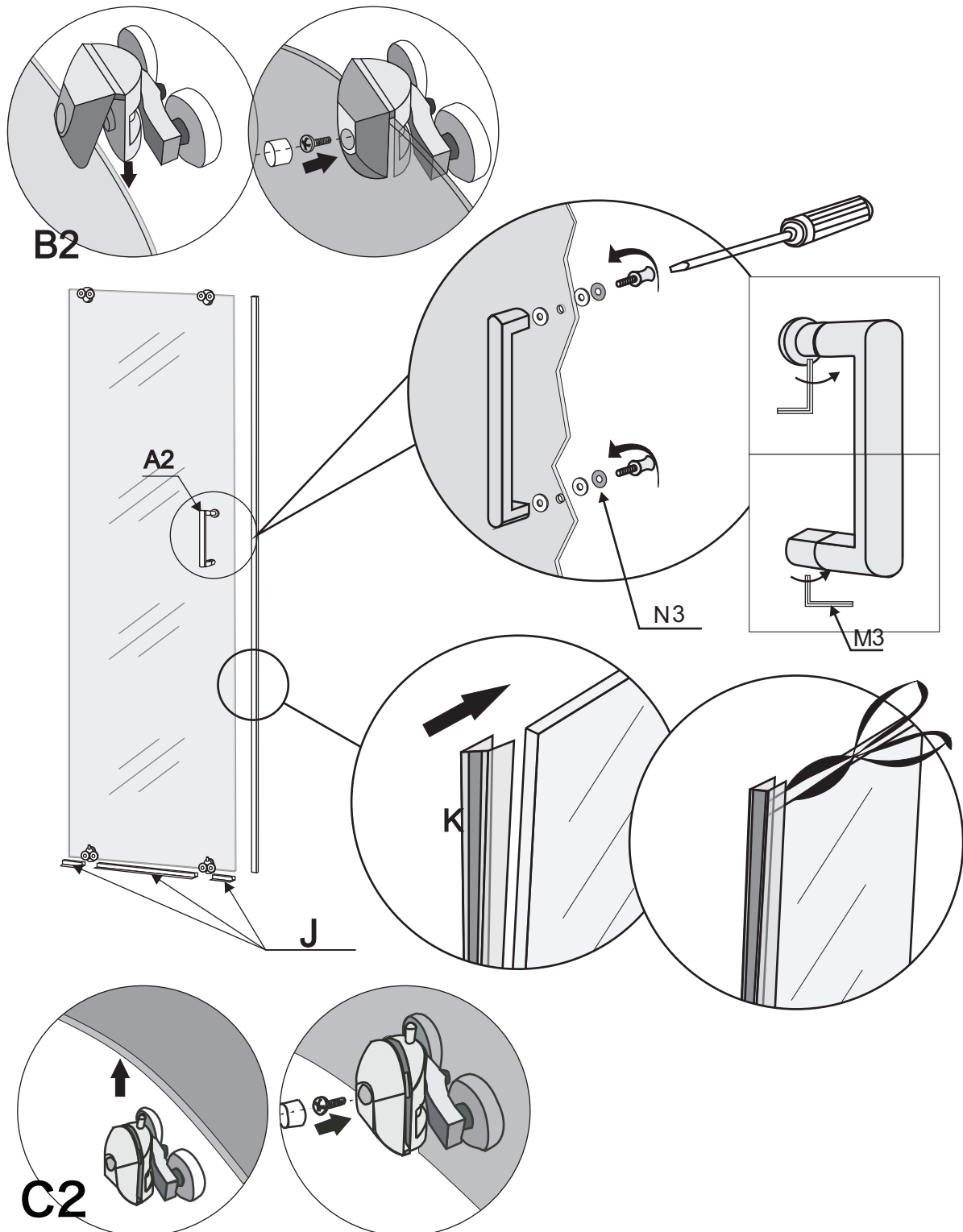
-Fit the rollers (B2 & C2) onto the sliding door (D).

Please refer to the diagram below to ensure that the correct rollers are fitted to the top and bottom of the door. Secure the rollers onto the door using a cross-headed screwdriver. Push the cover caps over the screws on the rollers

-Fit the door handle (A2) onto the sliding door (D). Note that the rubber washers should be placed on both sides of the glass and the stainless steel washers (N3) should be placed between the rubber washers and the two threaded bolts on the inside of the door (see diagram below). Do not overtighten. Push the door handle onto the bolts and secure in place using the Allen key (M3)

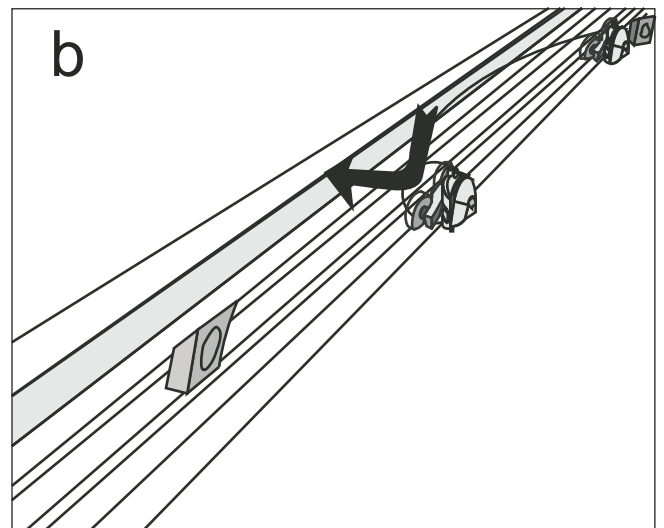
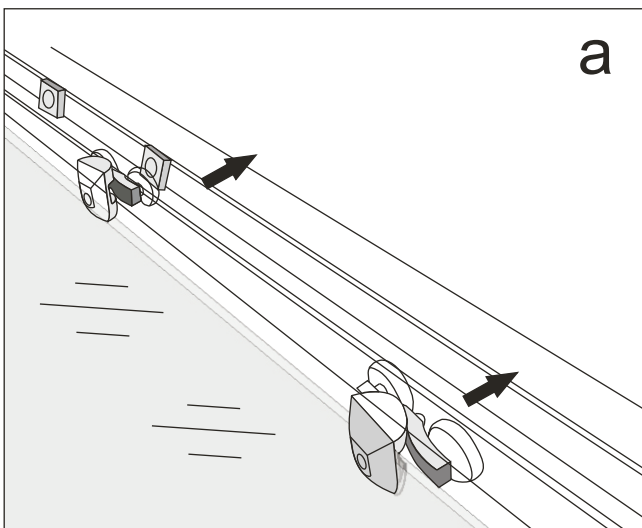
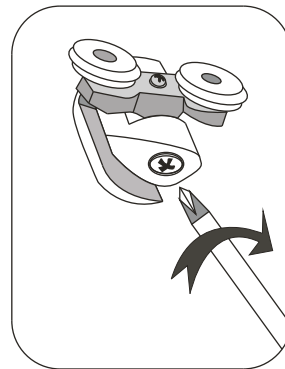
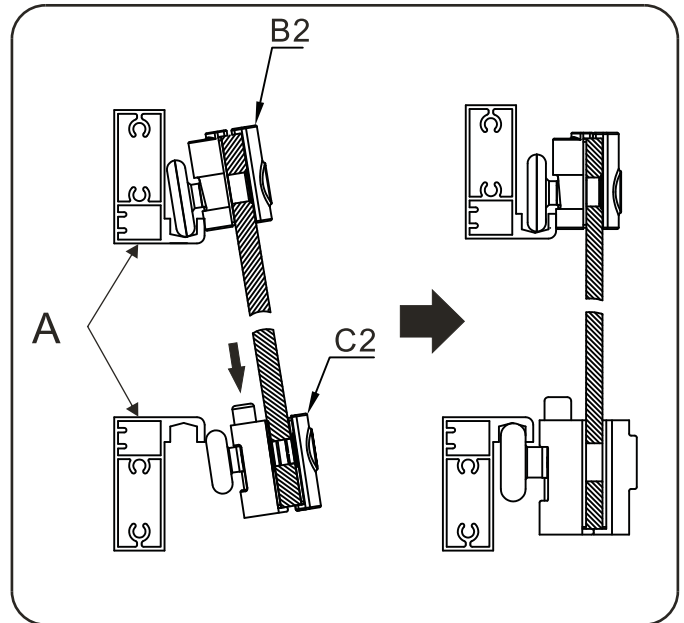
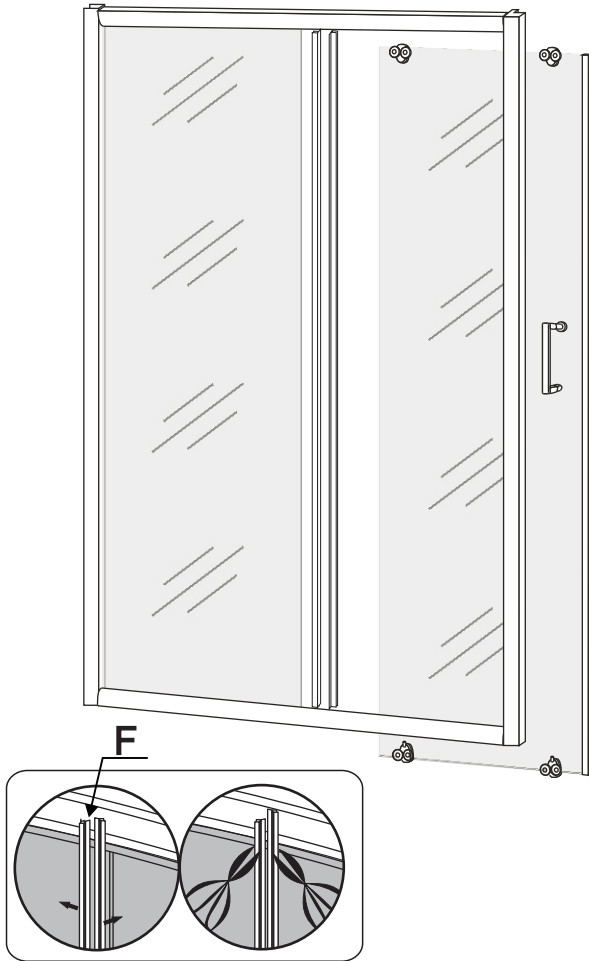
-Cut the horizontal seal (J) into three suitable lengths and push onto the bottom of the sliding door (D) (see diagram below)

-Cut the magnetic seal (K) to a suitable length and push onto the side of the sliding door



# Sliding Door Assembly

- To fit the sliding door (D) into the top and bottom rails, place the top rollers (B2) into the top rail.
- Push the button in the bottom rollers (C2) to fit them into the bottom rail.
- Using a cross-headed screwdriver, adjust the rollers until the door slides easily and is vertical.
- Cut the vertical seals (F) to suitable lengths and push onto the side of the fixed door and sliding door.

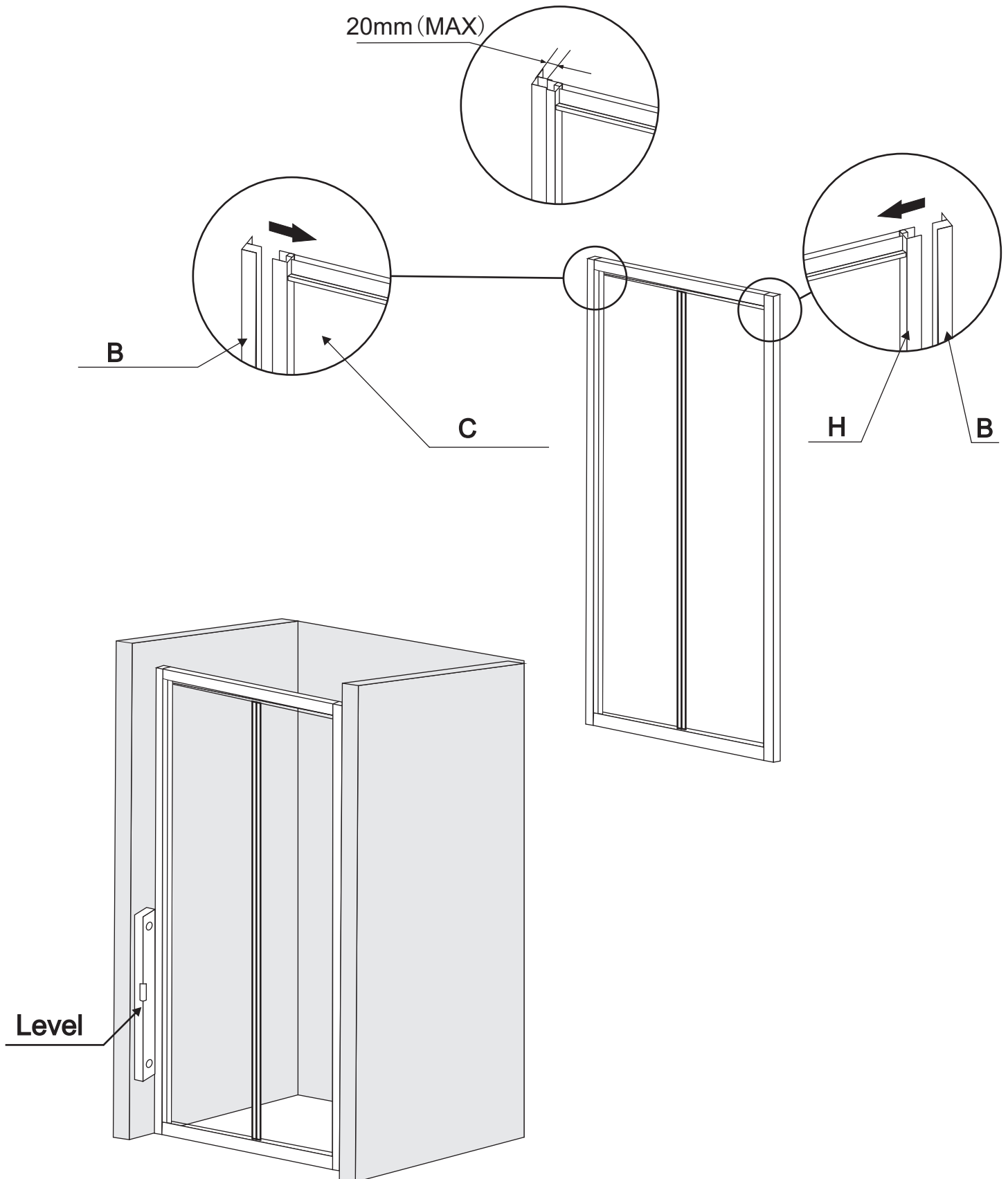




# SLIDING DOOR

## Wall Profile Assembly

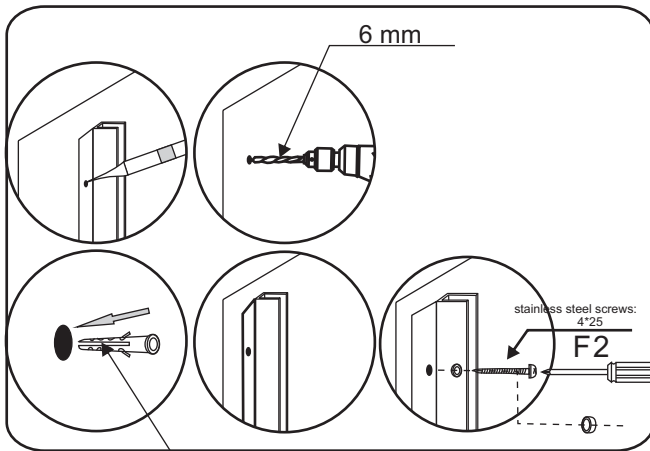
-Push the wall profiles(B) onto the sliding door, place the sliding door in position, adjust the wall profiles until they touch the walls. There is a maximum of 20mm adjustment for out-of-ture walls.



# SLIDING DOOR

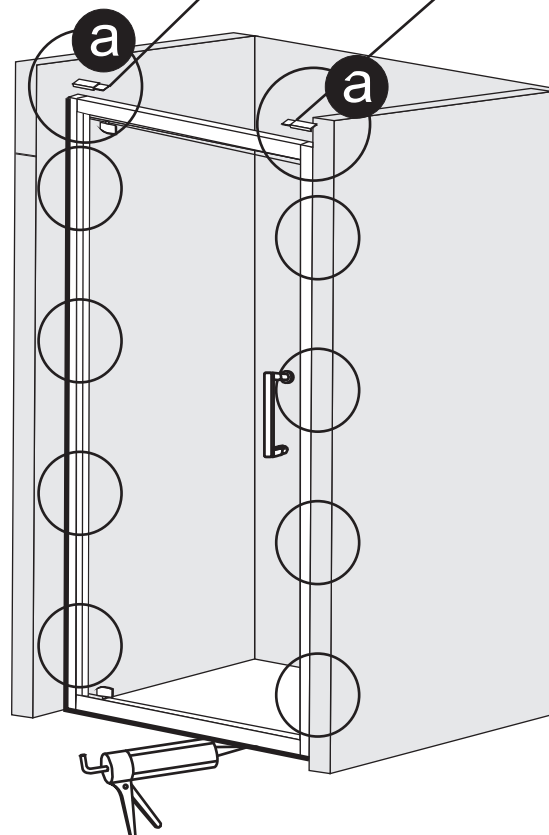
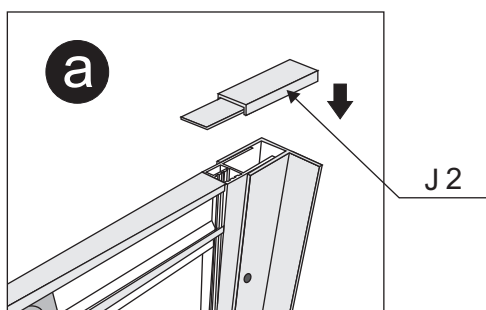
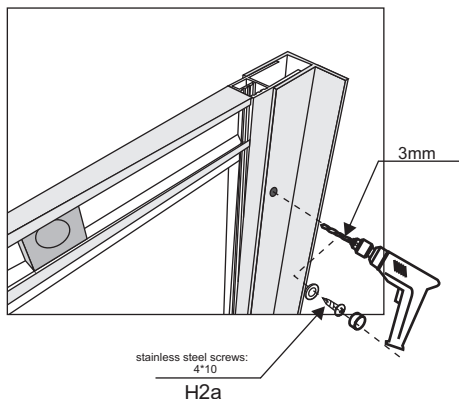
## Wall Profile Assembly

- Mark the drill points via pre-drilled holes of wall profiles.
  - Remove the sliding door from the shower tray/floor.
  - Drill holes with  $\varnothing 6$  mm drill bit in the wall in 35mm depth and insert wall plugs(I2) with rubber mallet.
  - Put the sliding door back in position on the shower tray/floor, then line-up the holes in the wall profiles with the holes drilled in the wall
  - Secure the profiles to the wall with the screws ST4x25 and plastic screw washers (F2). Clip the screw covers on.
  - Using the 3mm drill bit (K2) to drill through the profiles from inside the enclosure (see diagram below). Do not drill through the front of the profiles.
  - Secure the sliding door to the profiles using the screws ST4x10 and plastic screw washers (H2a), clip the screw covers on.
  - Clip profile caps(J2) on.
- Apply silicone sealant to all joints on the outside of the shower door.
- Do not use the enclosure for 24 hours, to allow the silicone to dry completely.



### CAUTION:

- THE GLASS IS RETAINED IN THE PROFILES TO A DEPTH OF 10MM. under no circumstance should it be attempted to drill through the profiles in this region. Damage to the glass and injury may occur



# SLIDING ENCLOSURE

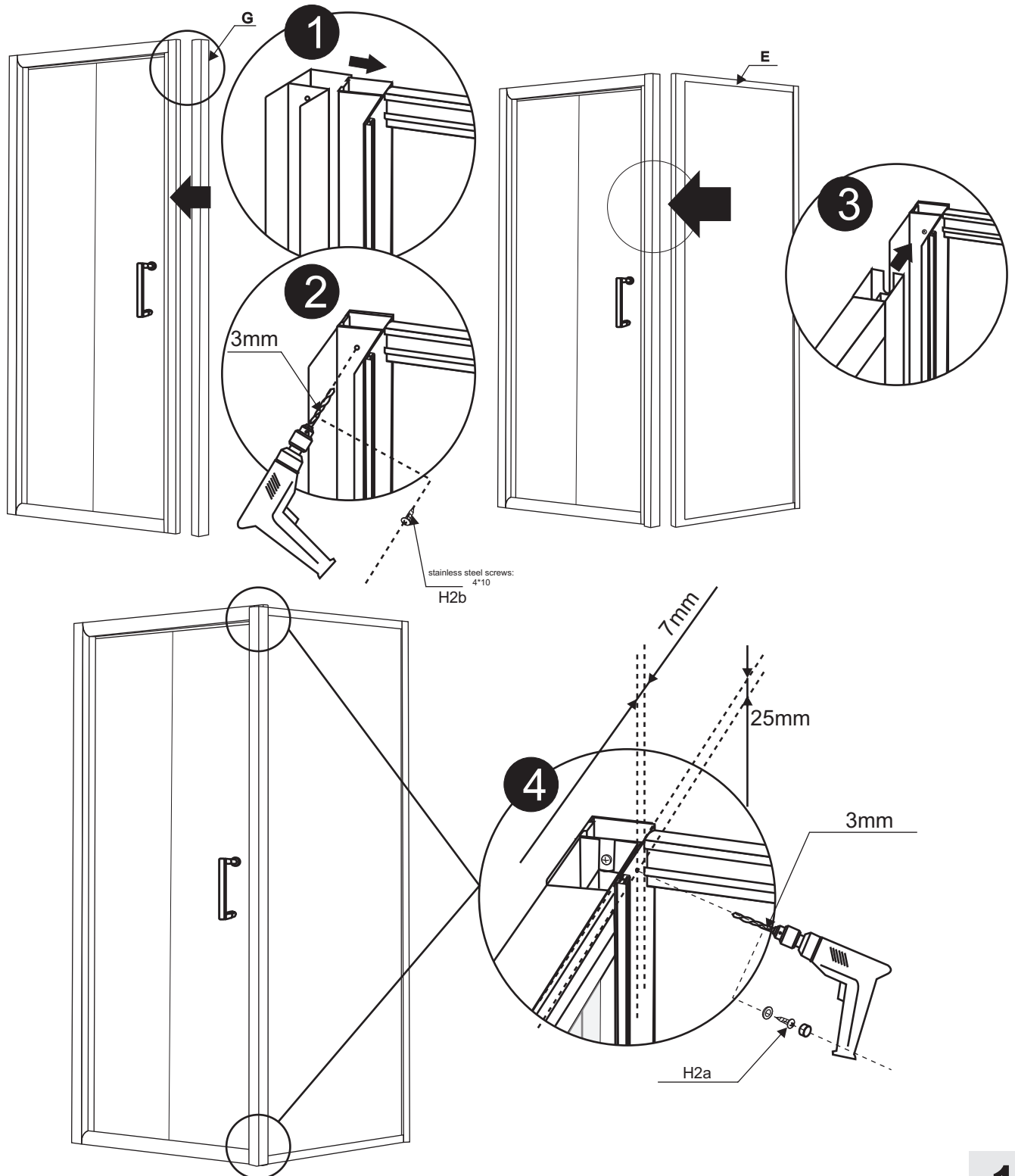
## Fixed Side Panel Assembly

Follow the assembly steps for the sliding door panel on pages 6 to 8

- Push the corner profile (G) onto the sliding door panel (see diagram 1)
- Using the 3mm drill bit, drill two holes to a depth of 5mm through the pre-drilled holes in the corner profile (see diagram 2). Do not drill through the front face of the profile
- Secure the corner profile to the sliding door panel using screws ST4x10 (H2b)
- Push the side panel (E) into the corner profile (G) (see diagram 3)
- Using the 3mm drill bit, drill a hole at the top and bottom of the corner profile.

Note that the holes should be drilled 25mm from the end of the corner profile and 7mm inwards from top and bottom rails (see diagram 4)

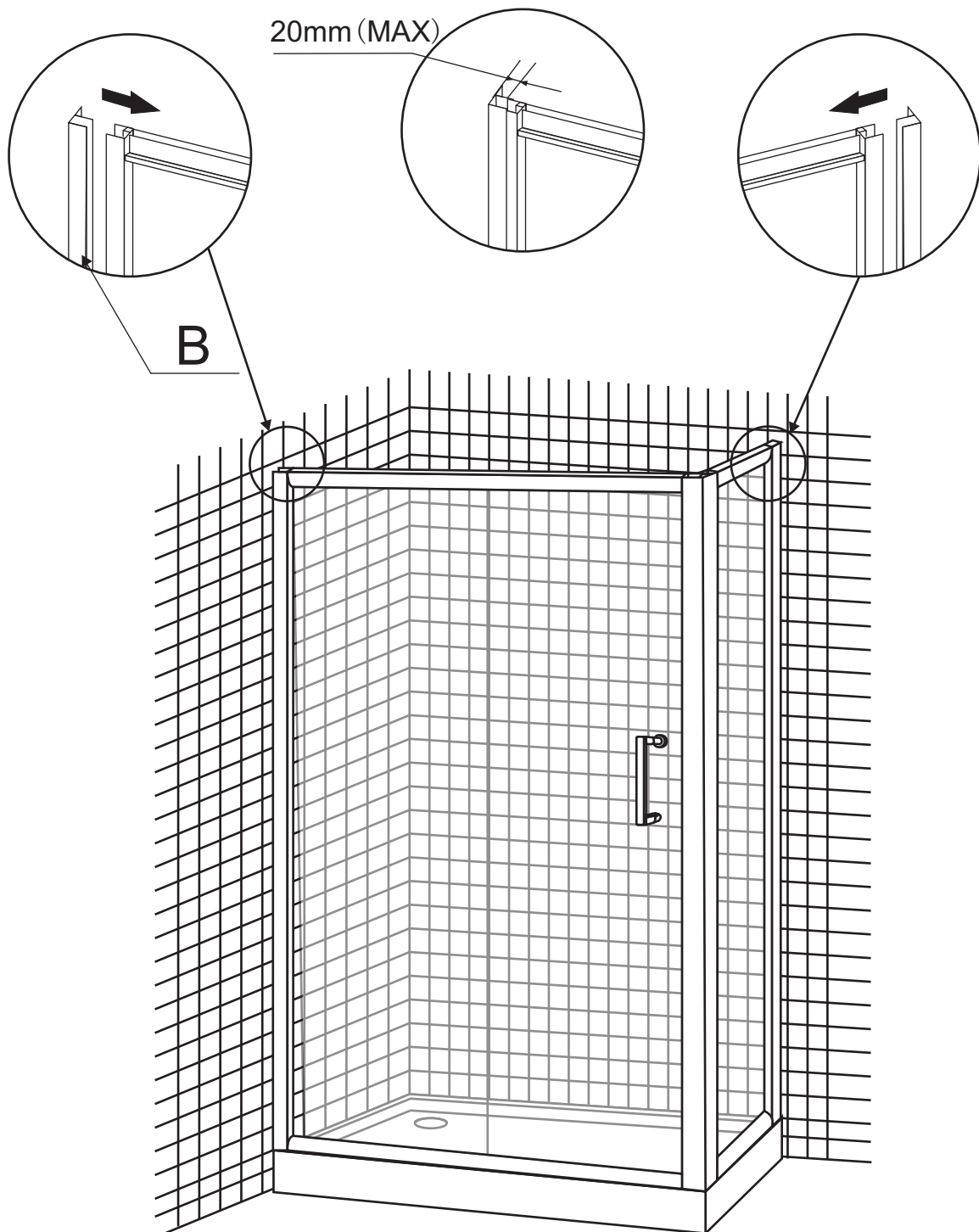
- Secure the side panel to the corner profile using screws ST4x10 and plastic screw washers (H2a), clip the screw covers on



# SLIDING ENCLOSURE

## Wall profile Assembly

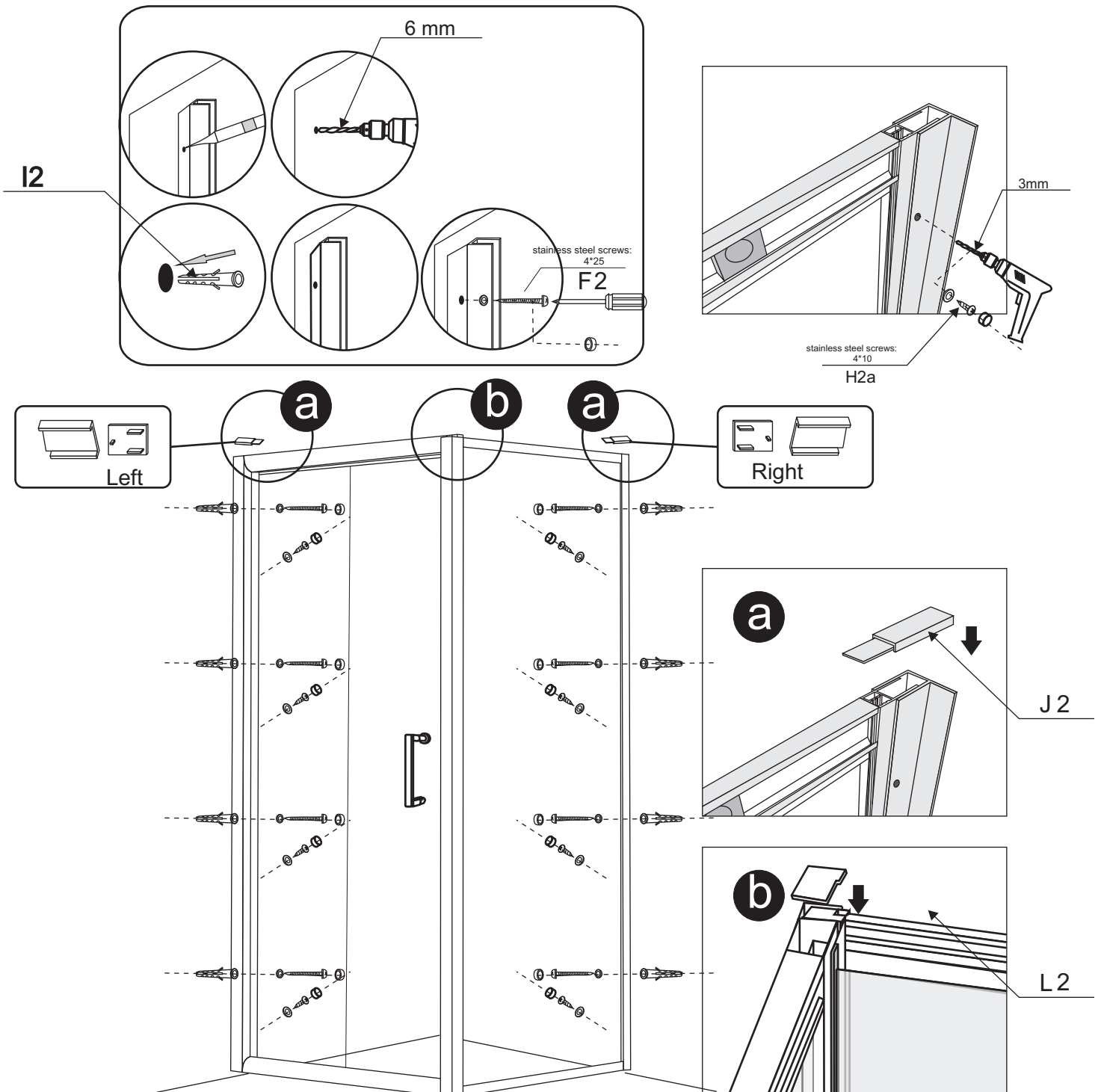
- Fit the shower tray in the required position, in accordance with the instructions provided with it. If the shower tray is not needed, please choose a suitable flooring area, where you want the enclosure to be.
- Insert the wall profiles (B) onto the sliding door panel and the fixed side panel.
- Place the fixed enclosure on the tray/floor.
- Check with a spirit level and adjust the position until the bottom rail is parallel on the shower tray/floor.
- Adjust the wall profiles until they are in contact with the walls. There is a maximum of 20mm adjustment for out-of-true walls.



# SLIDING ENCLOSURE

## Wall Profile Assembly

- Mark the drill points via pre-drilled holes of wall profiles.
- Remove the fixed enclosure from the shower tray/floor.
- Drill holes with  $\varnothing$  6 mm drill bit in 35mm depth.
- Use rubber mallet to insert wall plugs (I2) into the holes.
- Fix the wall profiles to the wall with the screws ST4x25 and plastic screw washers (F2), clip the screw covers on.
- Insert fixed enclosure into the fixed wall profiles.
- Drill holes with  $\varnothing$ 3mm drill bit in 5mm depth on wall profiles(B).
- Note: Do not drill through the profiles otherwise it will damage the profiles' surface.
- Fix with the screws ST4x10 and plastic screw washers (H2a), clip the screw covers on.
- Clip profile caps (J2) on .
- Clip corner profile cap on (L2).



## Apply Silicone Sealant

- Apply silicone sealant to all joints on the outside of the enclosure.
- Do not use the enclosure for 24 hours, to allow the silicone to dry completely.

