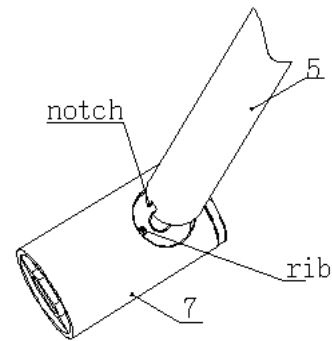
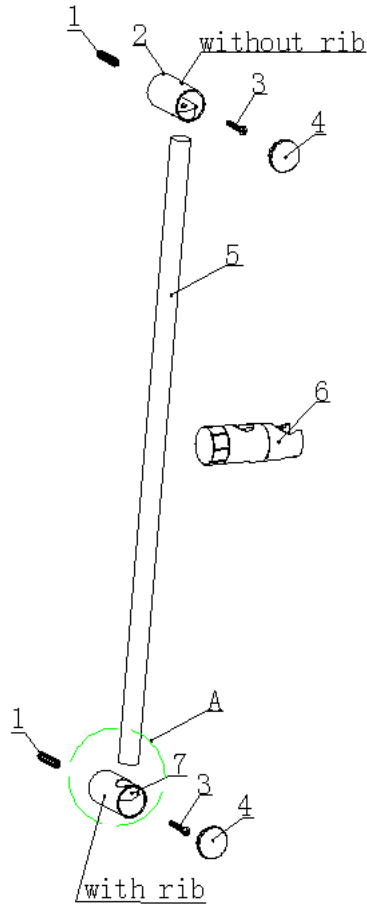




Fitting Instructions

Riser Rail



View A (change angle of view)
Scale 3:1

PARTS SUPPLIED

ITEM	DESCRIPTION	QTY
1	wall plug	2
2	top wall bracket	1
3	wall screw (Ø 4 X 25 mm)	2
4	bracket cover	2
5	sliding rail	1
6	shower holder	1
7	bottom wall bracket	1

TOOLS REQUIRED

power drill
drill bit
Cross head screw driver
Pencil

BEFORE YOU START

- a) Identify all components and check pack contents.
- b) The screws and wall plugs supplied are only suitable for use in solid walls.
- c) Ensure there are no hidden service pipes or cables where you intend to drill.
- d) If drilling into ceramic tiles, please use a ceramic drill bit.
- e) Please be careful of your safety while drilling.
- f) **TURN OFF WATER MAINS SUPPLY.** The mains stopcock is usually situated where the supply enters the building.
- g) It is also recommended that the water heating arrangements are turned off.
- h) Isolate the hot and cold water supply.

INSTALLATION

- 1) Fix the notched end of the sliding rail (5) into the bottom wall bracket (7) and insert the other end into the top wall bracket (2). Mark the positions of two drill holes. Drill the wall in marked positions by using the Power Drill. Then insert the Wall Plugs (1).
- 2) Place the top wall bracket (2) on wall and tighten with the wall screws (3). Make sure the round opening points downward.
- 3) Put the shower holder (6) onto the sliding rail (5), make sure that the larger opening of the shower holder (6) points upward.
- 4) Fix the notched end of the sliding rail (5) into the bottom wall bracket (7) insert the other end of the sliding rail into the top wall bracket (2) and install the bottom wall bracket (7) on the wall with the wall screw (3).
- 5) Fix the bracket covers (4) to the top wall bracket (2) and bottom wall bracket (7).

Please Note: Bracket with an anchor is bottom wall bracket (7), bracket without anchor is top wall bracket (2).

AFTER CARE

- a) To maintain the appearance of this fitting, ensure it is cleaned only using a clean soft damp cloth.
- b) A solution of warm water and mild liquid detergent may be used where necessary and then rinsed thoroughly. Abrasive cleaners or acidic cleaners **MUST NOT BE USED** under any circumstances. Avoid contact with solvents.
- c) Please use non-return valves on your shower system.
- d) Please retain these instructions for future reference.