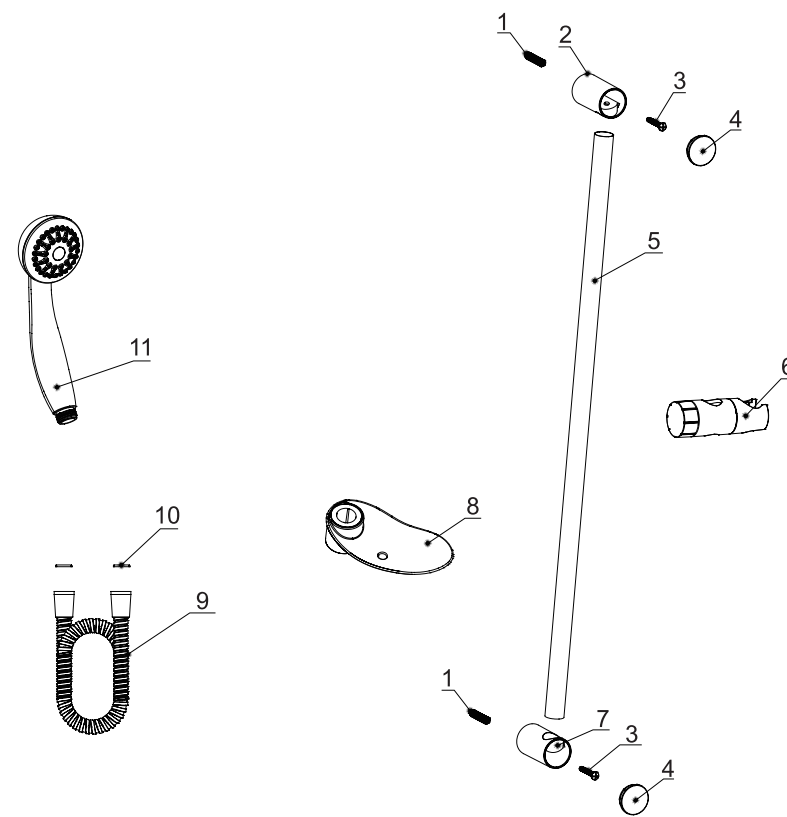


Part NO : KMU0075A00
 Material : 80g Wood paper
 Size : 210 x 290 mm
 Colour : 1C+1C



Fitting Instructions Shower Kit



PARTS SUPPLIED

ITEM	DESCRIPTION	QTY
1	wall plug	2
2	top wall bracket	1
3	wall screw (Ø 4 X 25 mm)	2
4	bracket cover	2
5	sliding rail	1
6	shower holder	1
7	bottom wall bracket	1
8	soap dish	1
9	pvc shower hose	1
10	rubber washer	2
11	hand shower	1

TOOLS REQUIRED

power drill
drill bit
Cross head screw driver
pencil

BEFORE YOU START

- Identify all components and check pack contents.
- The screws and wall plugs supplied are only suitable for use in solid walls.
- Ensure there are no hidden service pipes or cables where you intend to drill.
- If drilling into ceramic tiles, please use a ceramic drill bit.
- Please be careful of your safety while drilling.
- Isolate the hot and cold water supply.

INSTALLATION

- Mark the positions of two drill holes. Drill the wall in marked positions by using the power drill and then insert the wall plugs (1).
- Make sure the screw hole of top wall bracket (2) and the wall plugs (1) are central. Then put the screw (3) through the top wall bracket (2) and tighten. Make sure the round opening points downward.
- Put the shower holder (6) and soap dish (8) into the sliding rail (5) and ensure the larger opening of the shower holder (6) points upward. Be sure that the notched end of sliding rail (5) points downward.
- Assemble the non-notched end sliding rail (5) to the top wall bracket (2), and the notched end to the bottom wall bracket (7). Put the wall screw (3) through the bottom wall bracket (7) and fix it to the wall plug (1).
- Assemble the bracket covers (4) onto both brackets.
- Insert the rubber washers (10) into both ends of pvc shower hose (9). Then connect one end to hand shower (11) and the other end to the shower outlet

Please Note: Bracket with anchor is bottom wall bracket (7), bracket without anchor is top wall bracket (2).

AFTER CARE

- To maintain the appearance of this fitting, ensure it is cleaned only using a clean soft damp cloth.
- A solution of warm water and mild liquid detergent may be used where necessary and then rinsed thoroughly. Abrasive cleaners or acidic cleaners MUST NOT BE USED under any circumstances. Avoid contact with solvents.
- Do not lay the hand shower into dirty water.
- Please retain these instructions for future reference.

MANUFACTURER'S GUARANTEE

This shower set is guaranteed to be free from faults arising from manufacturing defects for a period of 1 year from the date of purchase. Retain proof of purchase.