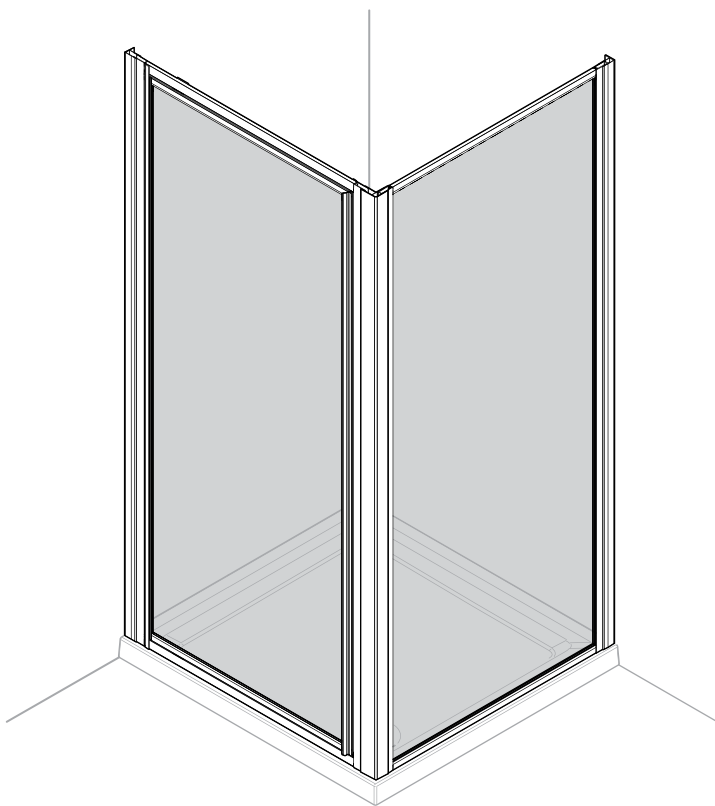


IN00412 (rev A)

# Pivot Door & Side Panel

- Instruction suitable for both right and left hand fixing variations.

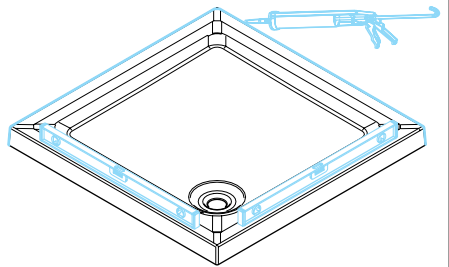
**IMPORTANT:** If installing a Pivot Door only; ie. a recess installation, please refer to alternative fixing details on the document reverse. Door opens outwards only.



## Before You Start

- Check that the tray has been installed correctly and that it is level (Fig. A), tiled down onto and sealed to the manufacturer's guidelines. **Please Note:** All product supplied without tray.
- Ensure the product is fitted to a non-porous surface ie. tiled. Check that the wall surface is flat.
- Unpack and check the product is complete and undamaged.
- Fixings are supplied for solid walls only. Ensure that the correct fixings are used for the wall type – if in doubt seek professional advice.
- Ensure the area is clean, dry and dust free.
- Read the instructions in full.
- Have the correct tools available, (as shown below, see 'Tools Required').
- It is recommended to situate the showerhead and door adjacent to each other in order to allow any water spray to be on the side panel or upstanding wall.

Fig.A.



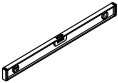
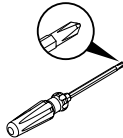
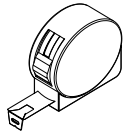
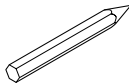
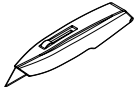
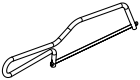

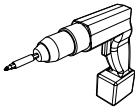
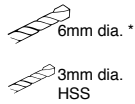
## Safety

- Handle all glass with care - support on cardboard to avoid risk of breakage.
- This product is heavy and requires 2 people to carry and install it.
- When drilling walls check first for hidden pipes and cables.
- All glass is toughened – it cannot be reworked or replaced by ordinary glass.
- Use safety eyewear when drilling.
- Use safety eyewear when handling glass.
- Keep all small parts away from children.

## Disclaimer

- Please notify the retailer immediately of any damage or faults. The manufacturer cannot be held responsible for any installation costs that may arise from damaged or faulty product being installed.
- Please dispose of all packaging with due regard to the environment.

## Tools Required (not supplied)

<p>Spirit Level</p> 	<p>Screwdriver</p> 	<p>Tape Measure</p> 	<p>Pencil</p> 	<p>Utility Knife</p> 
<p>Junior Hacksaw</p> 	<p>Silicone Gun &amp; Sealant</p> 	<p>Power Drill</p> 	<p>Suitable Drill Bits</p>  <p>6mm dia. *</p> <p>3mm dia. HSS</p>	<p>* Ensure drill bit used is suitable for wall surface</p>



Help Line: 0870 241 6131

Lines open: 8.30am - 5.00pm Monday to Friday  
Standard National call charge rate from BT landlines

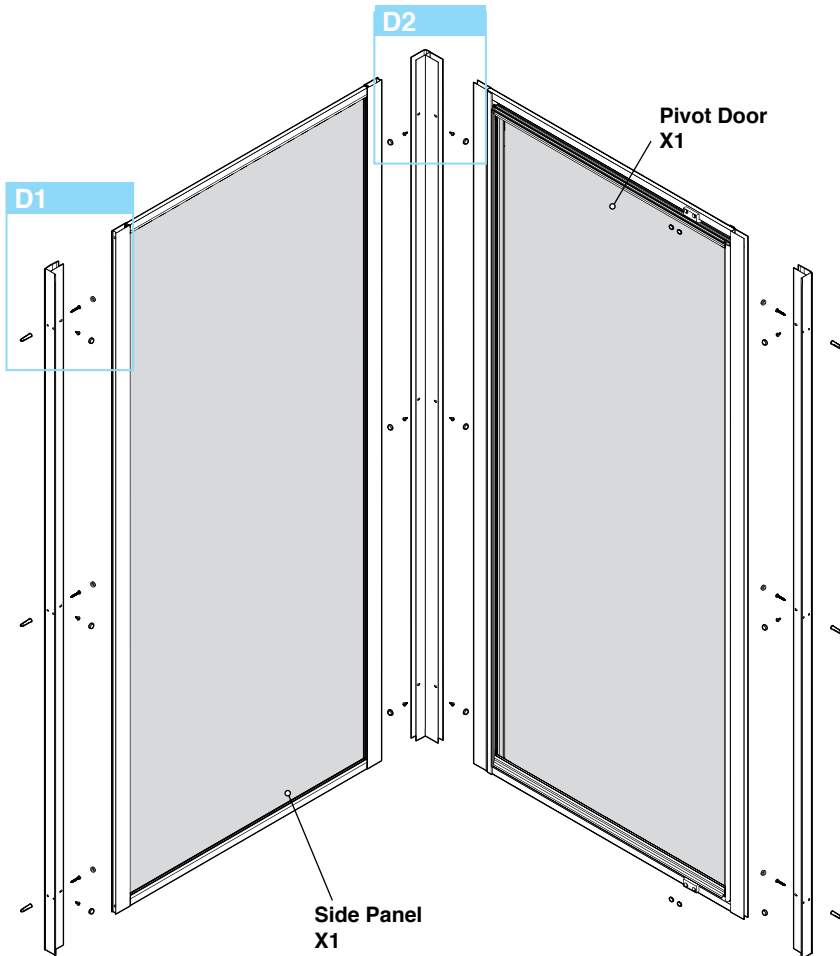
# Parts & Fittings Supplied



Please notify the retailer immediately of any damage or faults. The manufacturer cannot be held responsible for any installation costs that may arise from a damaged or faulty product being installed.

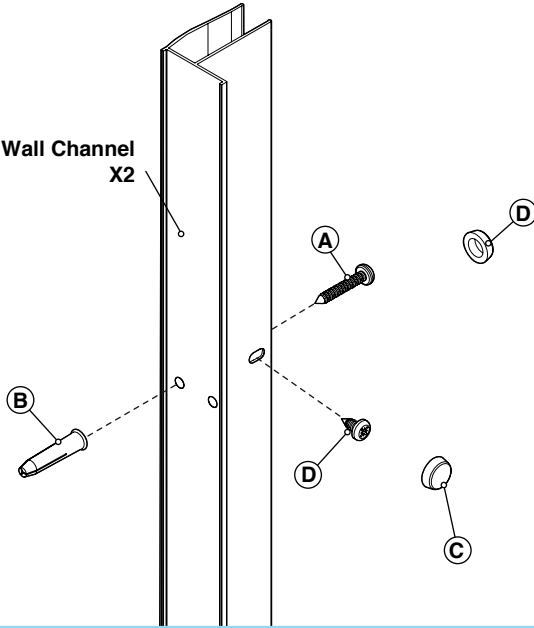


Keep small parts away from children



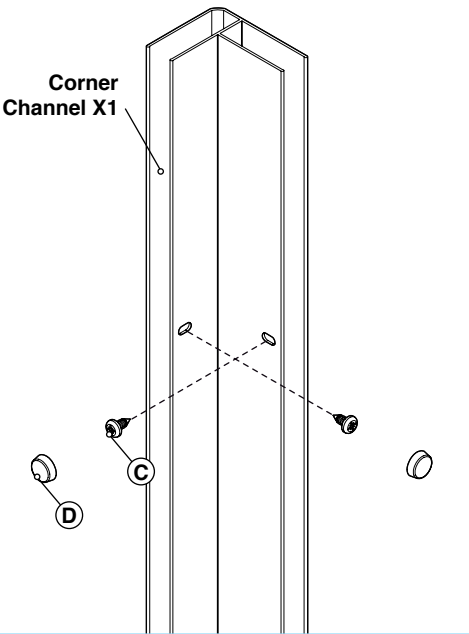
# D1

Wall Channel  
X2

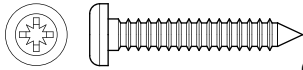

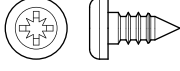




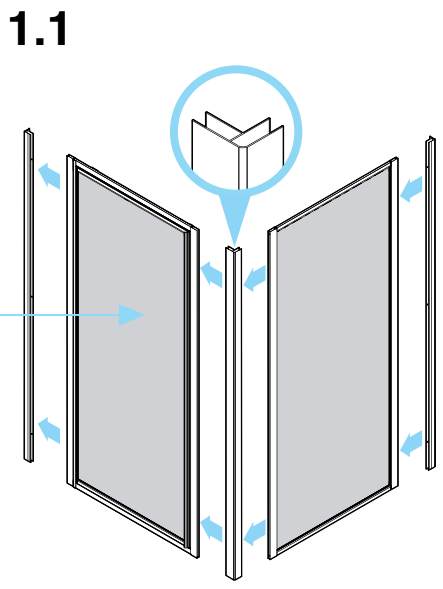
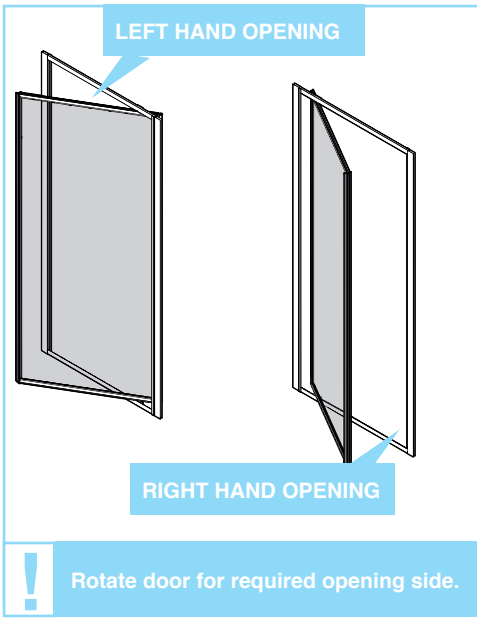
# D2

Corner  
Channel X1

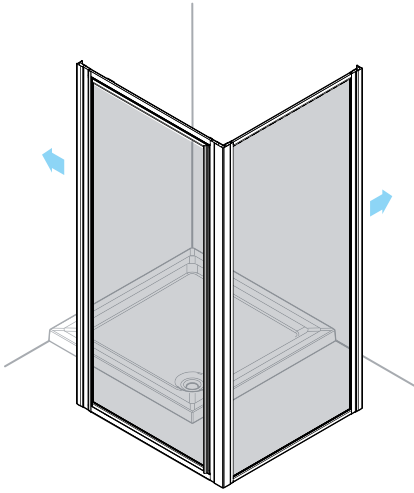


# Loose Screws & Fittings Supplied

<b>A</b>	No.8 x 1" Pan Head Pozi Screws	 <p>(actual size)</p>	Qty <b>x6</b>
<b>B</b>	Wall Plugs	 <p>(actual size)</p>	Qty <b>x6</b>
<b>C</b>	No.8 x 3/8" Pan Head Pozi Screws	 <p>(actual size)</p>	Qty <b>x12</b>
<b>D</b>	Screw Snap Cap	 <p>(actual size)</p>	Qty <b>x18</b>
<b>E</b>	Hinge Plug	 <p>(actual size)</p>	Qty <b>x4</b>

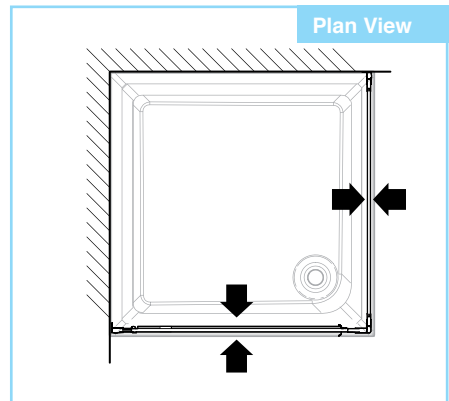
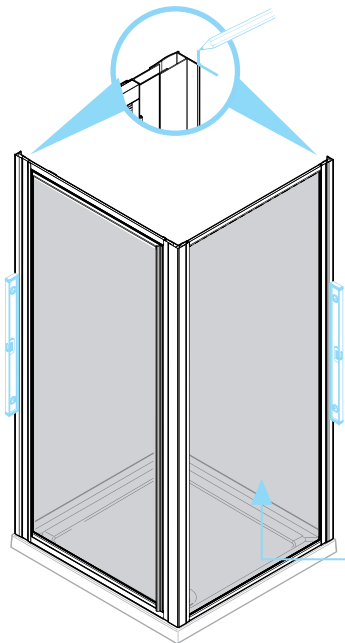


# 1.2



# 1.3

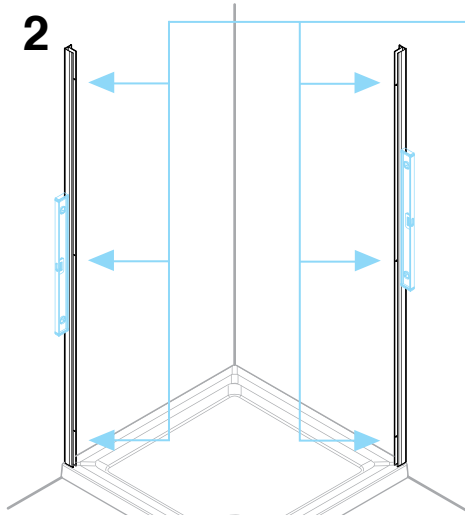
Mark position of pre-drilled Wall Channel



Ensure glass is positioned straight and is parallel with tray.

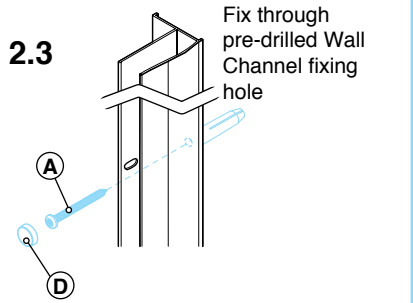
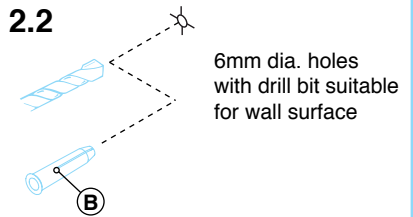
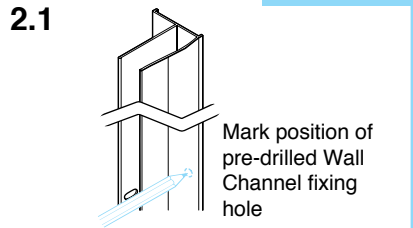
**!** Wall plugs supplied are for solid walls only. Ensure correct wall plug for wall type is used. If in doubt seek professional advice.

**!** Position Wall Channel on wall as shown, ensure Wall Channel is fixed level.

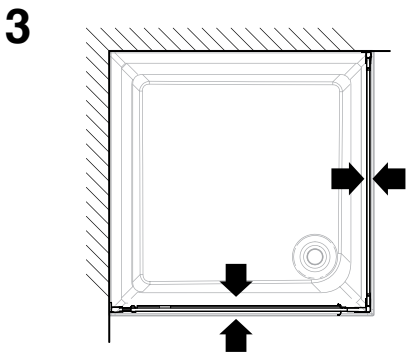


**\*** Tip: When drilling tiles apply masking tape to surface to stop drill bit slipping.

**Inside View**



**Plan View**



**!** Ensure glass is positioned straight and is parallel with tray.

\*3mm dia. holes through pre-drilled holes using HSS drill bit

Inside View

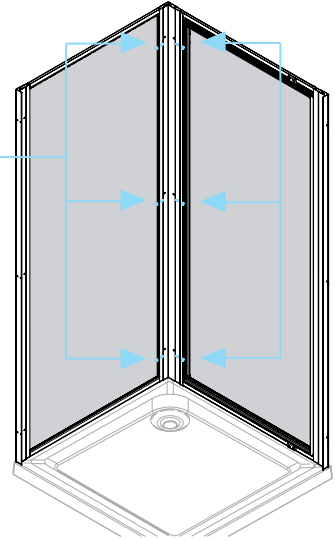
4.1\*

4.2

**!** Tip:  
When inserting screws apply a small amount of oil to the screw thread to allow easier fixing.

4

Inside View



**!** Ensure glass is positioned straight and is parallel with tray.

\*3mm dia. holes through pre-drilled holes using HSS drill bit

Inside View

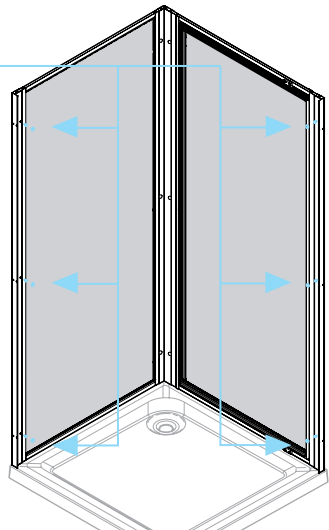
5.1\*

5.2

**!** Tip:  
When inserting screws apply a small amount of oil to the screw thread to allow easier fixing.

5

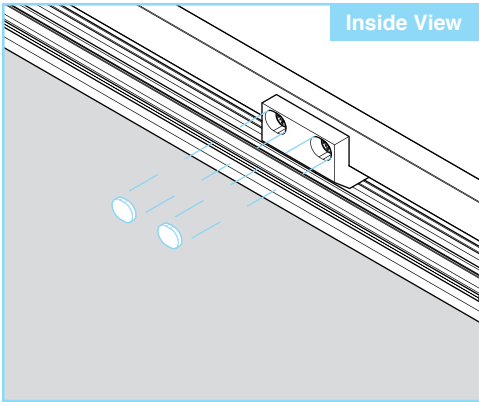
Inside View



**!** Ensure glass is positioned straight and is parallel with tray.

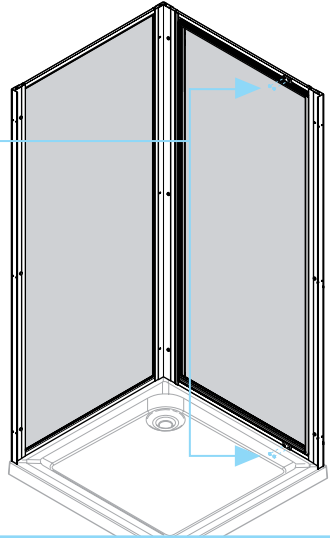


Inside View

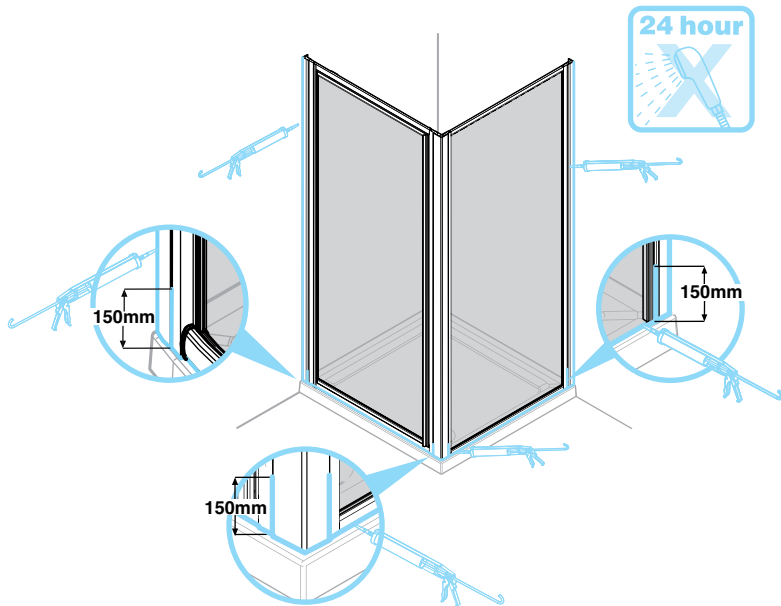


Fit hinge caps to top & bottom hinges.

6



7



Apply Silicone Sealant, (not supplied).



Only apply silicone sealant to the outside of the enclosure. DO NOT use silicone sealant on inside of the enclosure.



Product Care:

Use a non-abrasive cleaner. Water marks may be removed with a proprietary limescale remover or household vinegar.

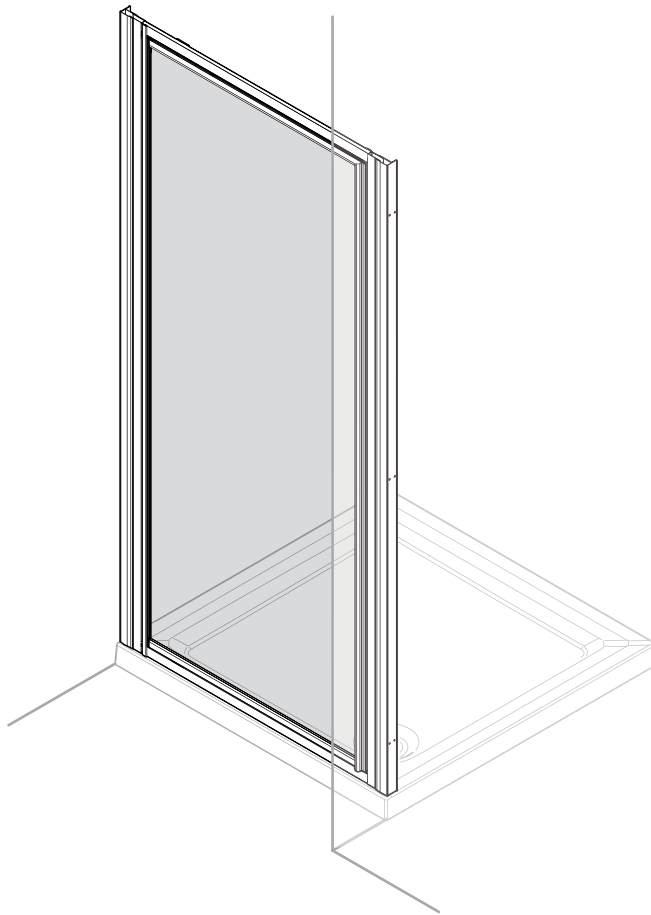


IN00412 (rev A)

# Pivot Door & Side Panel

- Instruction suitable for both right and left hand fixing variations.

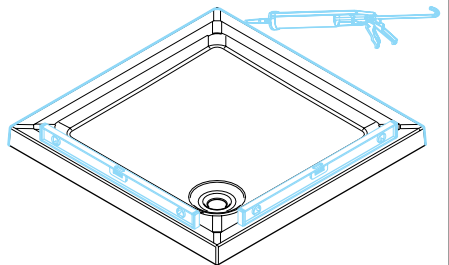
**IMPORTANT:** If installing a Pivot Door and Side Panel; ie. a corner installation, please refer to alternative fixing details on the document reverse. Door opens outwards only.



## Before You Start

- Check that the tray has been installed correctly and that it is level (Fig. A), tiled down onto and sealed to the manufacturer's guidelines. **Please Note:** All product supplied without tray.
- Ensure the product is fitted to a non-porous surface ie. tiled. Check that the wall surface is flat.
- Unpack and check the product is complete and undamaged.
- Fixings are supplied for solid walls only. Ensure that the correct fixings are used for the wall type – if in doubt seek professional advice.
- Ensure the area is clean, dry and dust free.
- Read the instructions in full.
- Have the correct tools available, (as shown below, see 'Tools Required').
- It is recommended to situate the showerhead and door adjacent to each other in order to allow any water spray to be on the side panel or upstanding wall.

Fig.A.




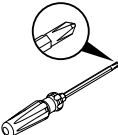
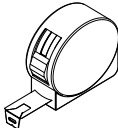
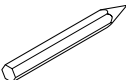
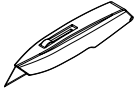
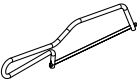

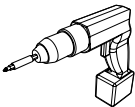
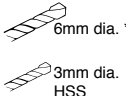
## Safety

- Handle all glass with care - support on cardboard to avoid risk of breakage.
- This product is heavy and requires 2 people to carry and install it.
- When drilling walls check first for hidden pipes and cables.
- All glass is toughened – it cannot be reworked or replaced by ordinary glass.
- Use safety eyewear when drilling.
- Use safety eyewear when handling glass.
- Keep all small parts away from children.

## Disclaimer

- Please notify the retailer immediately of any damage or faults. The manufacturer cannot be held responsible for any installation costs that may arise from damaged or faulty product being installed.
- Please dispose of all packaging with due regard to the environment.

## Tools Required (not supplied)

<p>Spirit Level</p> 	<p>Screwdriver</p> 	<p>Tape Measure</p> 	<p>Pencil</p> 	<p>Utility Knife</p> 
<p>Junior Hacksaw</p> 	<p>Silicone Gun &amp; Sealant</p> 	<p>Power Drill</p> 	<p>Suitable Drill Bits</p>  <p>6mm dia. *</p> <p>3mm dia. HSS</p>	<p>* Ensure drill bit used is suitable for wall surface</p>



Help Line: 0870 241 6131

Lines open: 8.30am - 5.00pm Monday to Friday  
Standard National call charge rate from BT landlines

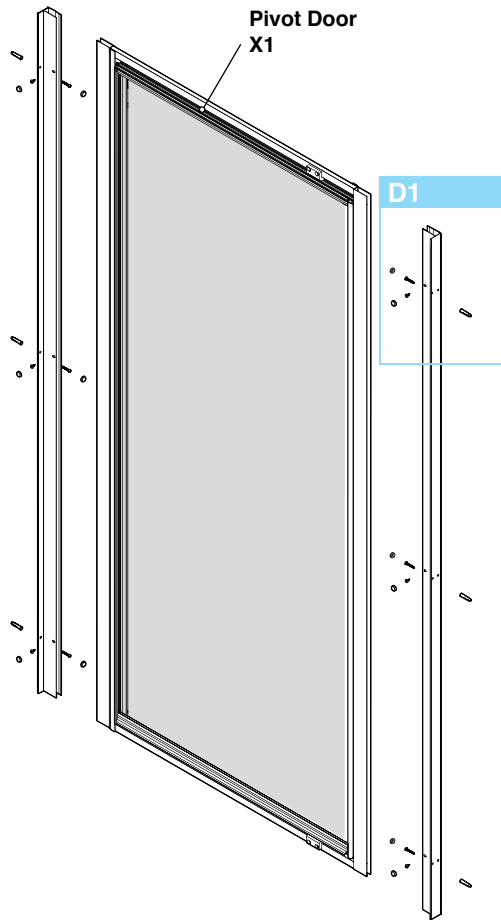
# Parts & Fittings Supplied

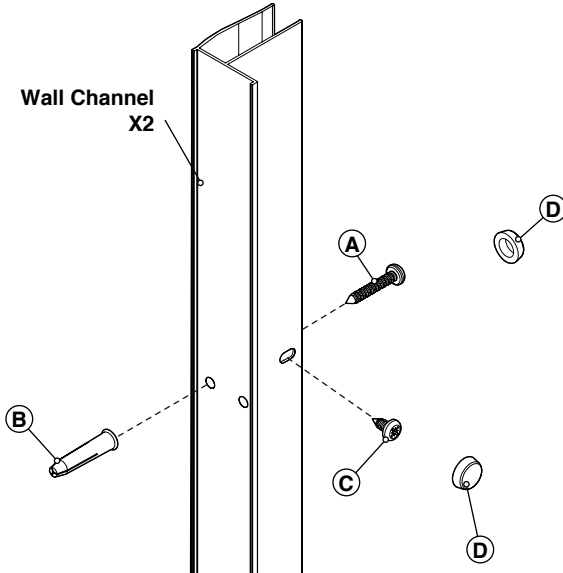


Please notify the retailer immediately of any damage or faults. The manufacturer cannot be held responsible for any installation costs that may arise from a damaged or faulty product being installed.

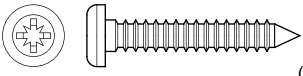

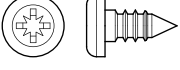




Keep small parts away from children

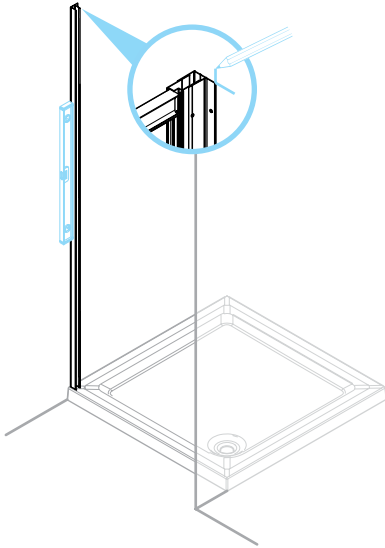




Loose Screws & Fittings Supplied

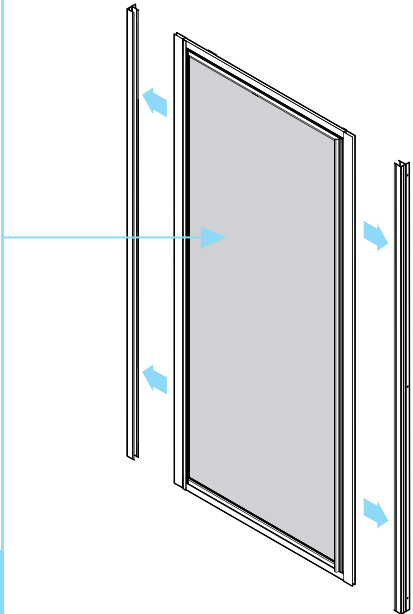
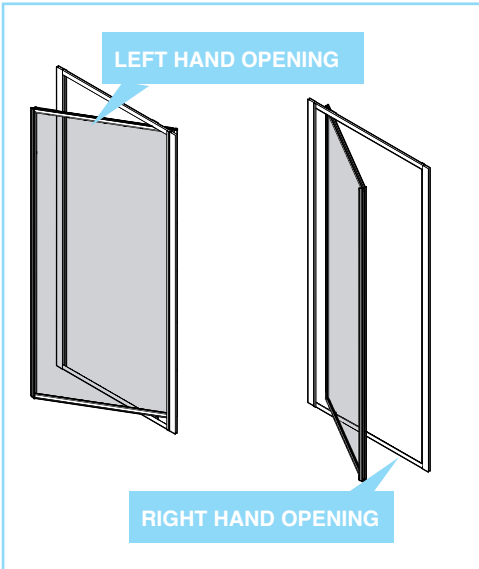
<p><b>A</b></p>	<p>No. 8 x 1 3/4" Pan Head Pozi Screws</p>	 <p>(actual size)</p>	<p>Qty <b>x6</b></p>
<p><b>B</b></p>	<p>Wall Plugs</p>	 <p>(actual size)</p>	<p>Qty <b>x6</b></p>
<p><b>C</b></p>	<p>No. 8 x 3/8" Pan Head Pozi Screws</p>	 <p>(actual size)</p>	<p>Qty <b>x6</b></p>
<p><b>D</b></p>	<p>Screw Snap Cap</p>	 <p>(actual size)</p>	<p>Qty <b>x12</b></p>
<p><b>E</b></p>	<p>Hinge Plug</p>	 <p>(actual size)</p>	<p>Qty <b>x4</b></p>

# 1.1



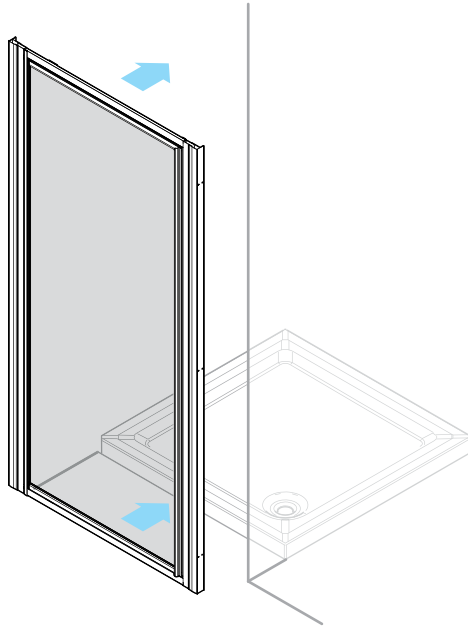
**!** Please Note:  
Position one wall channel and mark.  
Ensure Wall Channel is level and in  
correct location to the tray. (If in doubt  
refer to illustration on step 2).

# 1.2



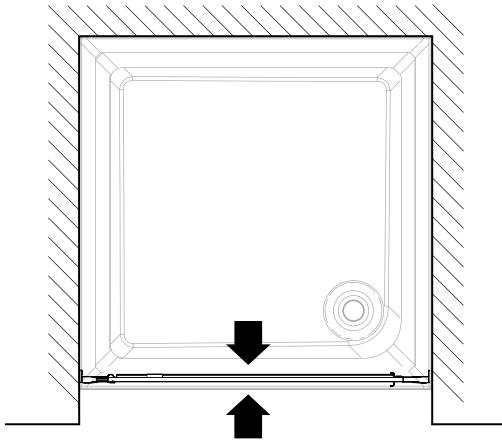
**!** Rotate door for required opening side.

1.3



Plan View

2



Ensure glass is positioned straight and is parallel with tray.



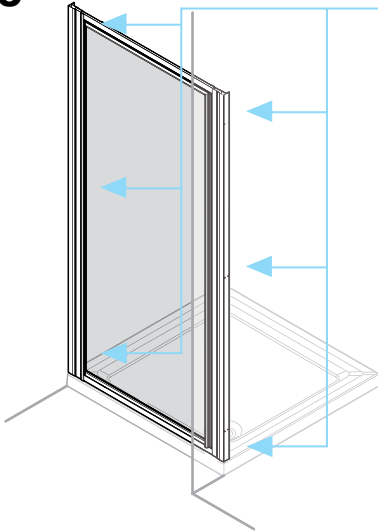


**IMPORTANT:** Ensure Door is not twisted.  
For best results fix one side wall channel, and check door is level before continuing to fix second wall channel.



Position Wall Channel on wall as shown, ensure Wall Channel is fixed level.

**3**

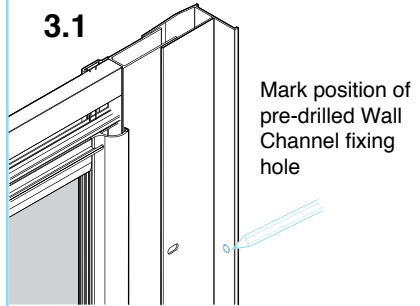


Wall plugs supplied are for solid walls only. Ensure correct wall plug for wall type is used. If in doubt seek professional advice.

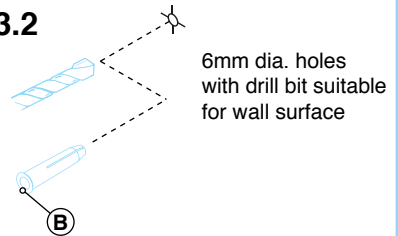


Tip: When drilling tiles apply masking tape to surface to stop drill bit slipping.

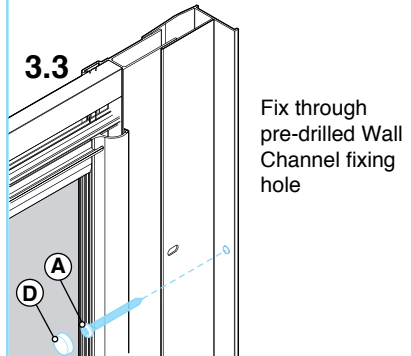
**3.1**



**3.2**



**3.3**

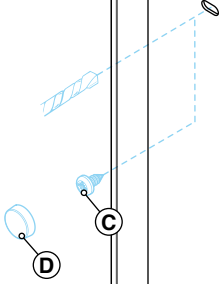


\*3mm dia. holes through pre-drilled holes using HSS drill bit

Inside View

4.1\*

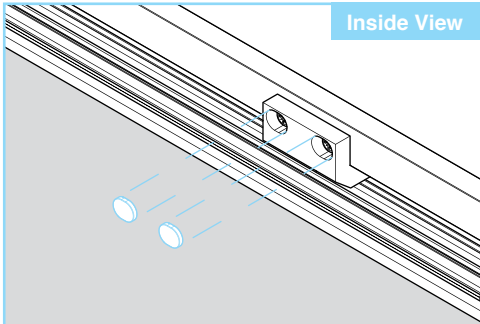
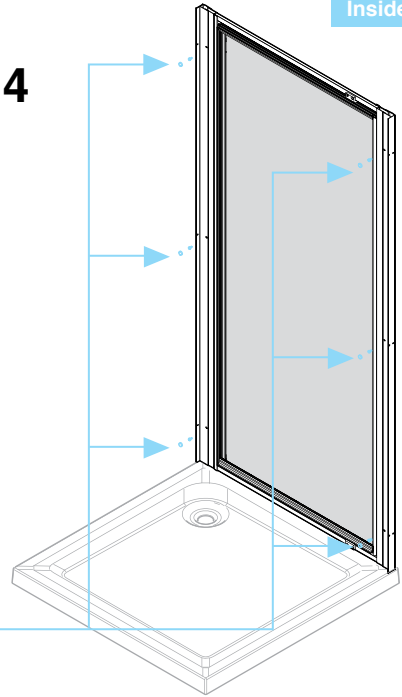
4.2



Tip:  
When inserting screws apply a small amount of oil to the screw thread to allow easier fixing.

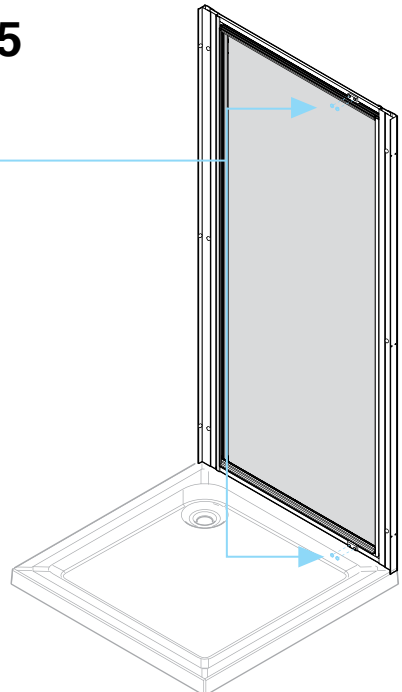
4

Inside View

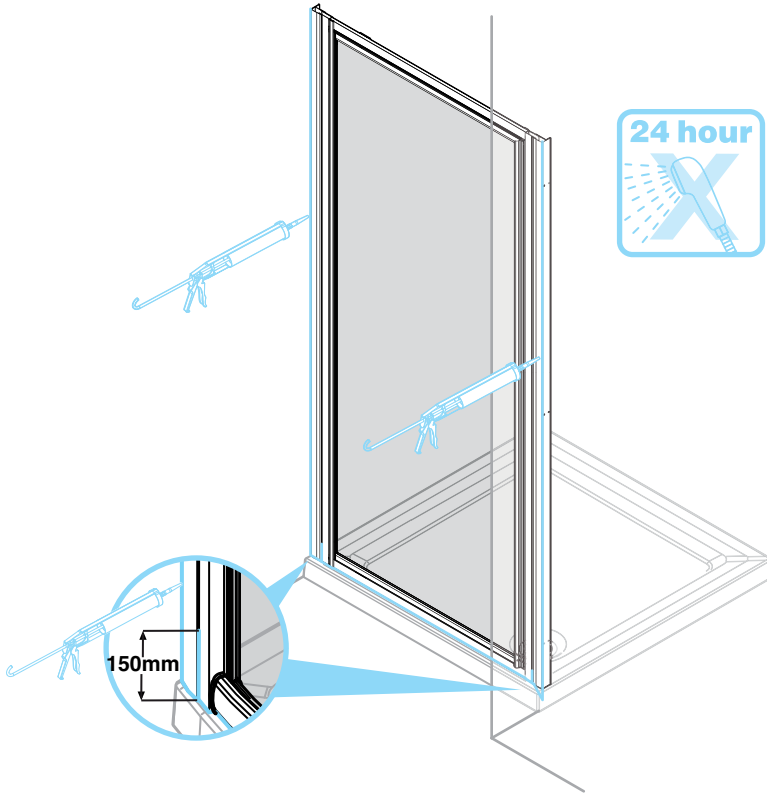


Fit hinge caps to top & bottom hinges.

5



6



Apply Silicone Sealant, (not supplied).



Only apply silicone sealant to the outside of the enclosure. **DO NOT** use silicone sealant on inside of the enclosure.



**Product Care:**  
Use a non-abrasive cleaner.  
Water marks may be removed with a proprietary limescale remover or household vinegar.