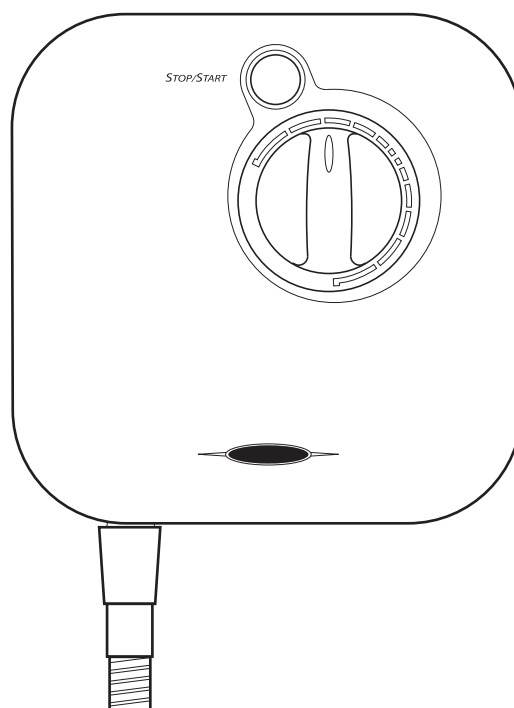


BRISTAN

Installation Instructions and User Guide

Thermostatic Power Shower 1000



Please keep this booklet for future reference.

Installer, when you have read these instructions
please ensure you leave them with the user.

Contents

Important safety information	3
Product features.....	4
Electrical requirements	5
Water requirements	6
Fitting your shower.....	7
Fitting the riser rail	9
Commissioning - testing the system.....	10
Operating the shower.....	11
Adjusting the showerhead	11
Cleaning & maintenance.....	11
Troubleshooting.....	12
Spare parts	13
Guarantee	14
Service policy	14

Important Safety Information

- Please read these instructions thoroughly and retain for future use.
- All products manufactured and supplied by Bristan are safe provided they are installed, used correctly and receive regular maintenance in accordance with these instructions.
- If you are in any doubt what so ever about your ability to install this product safely you must employ the services of an experienced qualified plumber.
- Do not operate the shower unit if you suspect it is frozen. Do not site the shower unit where it might be subjected to freezing conditions.
- Do not operate the shower unit if the showerhead or spray hose has been damaged or is blocked.
- Do not block the flow of water from the showerhead, by placing it (smothering it) on your hand or any other part of your body or foreign object.
- Do not operate the shower if the water stops flowing during use or if the water is leaking from the shower unit itself.

General Safety

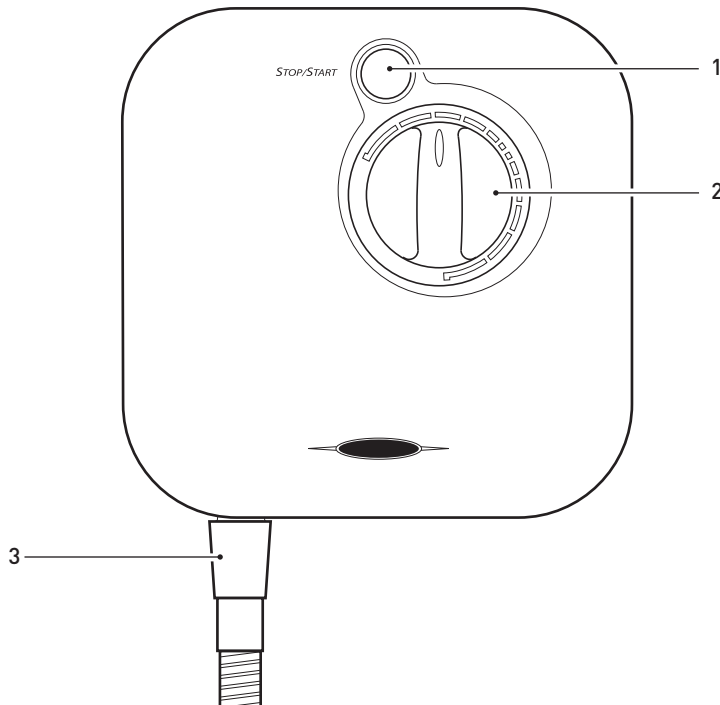
- Always switch off the power at the consumer unit and remove the correct circuit fuse before making any electrical connections or if you have to remove the cover of an installed unit.
- The unit must be mounted on the finished wall surface (usually tiled). Under no circumstances must you tile up to the unit after fixing it directly to the bare wall as this may cause overheating.
- If the shower unit is fitted in a hard water area, a scale inhibitor may have to be fitted and the filter cleaned regularly.



BEAB (British Electrotechnical Approvals Board) approval of safety.

Need help? Give us a call on **0844 701 6273** and speak to one of our trained advisors.

Product Features



1. Push Button STOP/START Switch

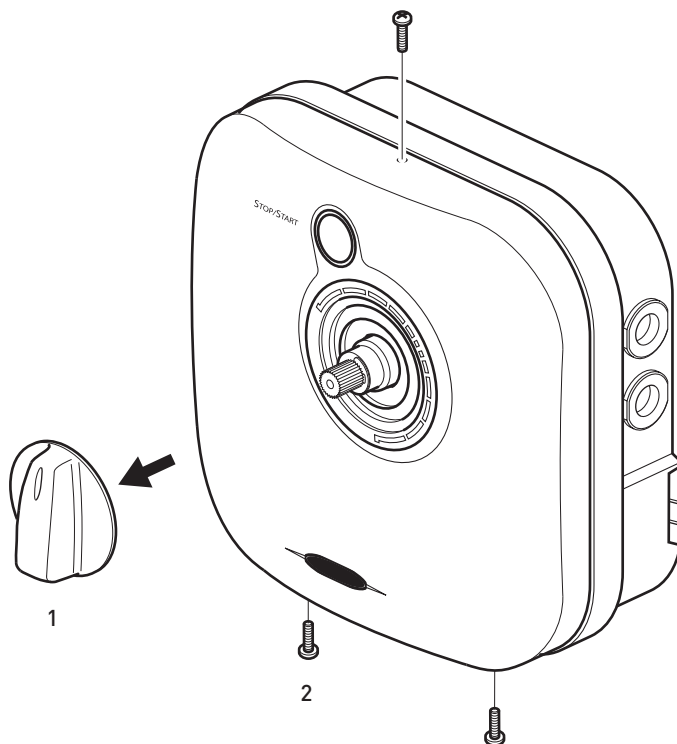
Electronic switch

2. Temperature Control

Adjustable Temperature Control

3. Hose outlet

Shower hose outlet



Removing cover

1. Temperature Control Knob

2. Screws (x3)

Please note that this product comes packaged with the front cover and control knob already in place. These have to be removed to install the shower. Please follow the procedure below.

Pull off control knob (1).

Remove all three fixing screws (2). The cover can now be slowly removed - care should be taken not to strain wiring which is attached to the front cover.

This procedure can be reversed to replace the front cover and control knob after installation to the wall.

Electrical Requirements

⚠ Warning: This appliance MUST be earthed!

All electrical wiring for the shower must comply with the current I.E.E. Regulations which includes earth-cross bonding to all metal pipe work.

Important:

All plumbing connections should be completed before any electrical connections are undertaken.

The shower must be connected to a 230/240 volt. A.C. electrical supply from a 13-amp ring main, via a fused double pole switch with at least 3mm contact separation. The switch is to be clearly identifiable, but out of reach of a person using a fixed tap or shower, i.e. mounted in an adjacent room. It should be fused at no more than 3 amps.

This appliance must be earthed, and all associated metal pipe work earth crossbonded in line with current I.E.E. regulations.

As the colours of the wires in the cable (not supplied) used to connect to this appliance may not correspond with the coloured markings identifying the terminals in your switch, please follow the procedure below:

Please use the cable entry point provided. Failure to comply will eliminate any BEAB approval.

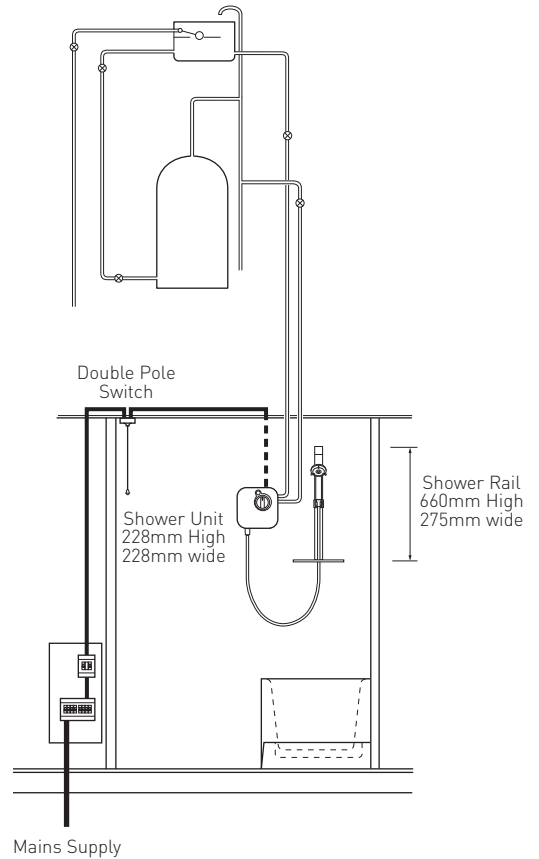
Procedure

The wire, which is coloured Blue or Black, must be connected to the terminal that is marked with the letter N.

The wire, which is coloured Brown or Red, must be connected to the terminal that is marked with the letter L.

The wire, which is coloured Green or Yellow, must be connected to the terminal that is marked with the earth symbol \oplus .

The installation and wiring must comply with I.E.E regulations.



Typical Power Shower Installation

Water Requirements

Under no circumstances must the Power Shower be connected to the mains cold water supply, or to a combination hot water system.

For correct operation of the Bristan 1000 Power Shower both hot and cold supplies to the unit must be gravity fed, at equal pressures, from a cold water storage tank and hot water storage cylinder.

We recommend a minimum 112 litre (25 gallons) cold water storage tank. Please ensure compliance with all Water Regulations.

Please ensure maximum supply head of 10 metres, minimum 1 metre to the shower head when positioned on the wall.

It is recommended that the hot water supply is at a temperature of 60°C, in line with British Standard 6700, British Water Regulations, and Plumbing Code of Practice.

Do not use jointing compounds, or solder within 300mm of the unit.

Before proceeding with the installation of this unit, check that your site requirements allow the shower unit when positioned on the wall to be a minimum of 1 metre below the bottom of the cold water storage tank.

All plumbing should be completed before any electrical connections are undertaken.

The unit can be connected to a combination cylinder system providing it has cold water storage capacity of 112 litres (25 gallons).

When connecting pipe work avoid using elbows: sweep or formed bends will ensure optimum performance.

Do not run pump dry as this will damage the internal seals and invalidate the warranty.

All pipe work to the unit should be 15mm. Non-restrictive isolating valves must be fitted on hot and cold supply pipes.

Do not position unit in areas subjected to freezing conditions.

The temperature of your stored water must not exceed 65°C. A stored water temperature of 60°C is considered sufficient to meet all normal requirements in line with the British Standard 6700.

Warning - All connecting pipe work should be earthed.

Procedure - Plumbing Connections

Isolate mains water and electrical supplies

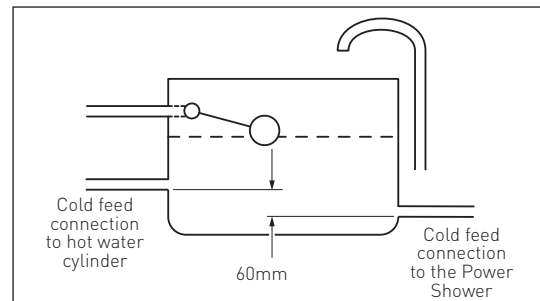
To empty the pipe work open the hot and cold water taps.

Make your connection into the hot water supply pipe from the cylinder, ensuring that it is the first draw-off (below the expansion pipe tee) to minimise the effects of water draw offs elsewhere in the house, and a minimum of 1 metre from the base of the cold storage tank and the top of the hot water cylinder.

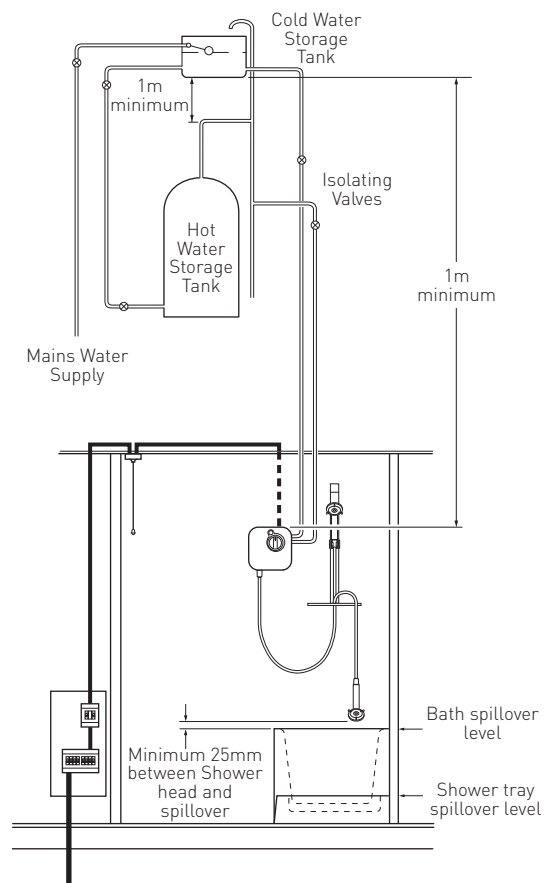
If this is not possible, a direct connection must be made from the hot water cylinder with a cylinder flange.

The cold water supply should be taken directly from the cold storage tank, and must be positioned 60mm below the cold feed connection to the hot water cylinder. This should not be directly beneath the ball valve as aeration of the water going to the shower could cause pump damage.

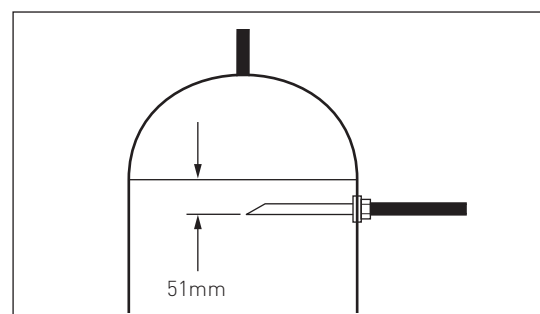
Run hot and cold pipe work to the unit position.



Water tank detail



Typical Power Shower Installation



Cylinder Flange

Fitting your Shower

Fitting the Shower

We recommend that the shower unit is fitted at chest height, and set to one side of the intended riser rail position, ensuring that the position of the shower handset when positioned on the wall is at least 1 metre below the cold water storage tank.

Important: The unit must be fitted on the finished tiled surface.

Warning: Do not seal the edge of the shower unit to the tiled surface with any form of sealant. The gap between the back of the shower unit and the tiles is needed for ventilation.

The outlet connection for the hose should be sited at the bottom of the unit.

Do not fit a fuse or switch on mains electrical supply until all plumbing work is completed. Connecting pipework can feed from above or below the unit, or straight through the wall at nominal centres of 40mm.

Top Feed = Hot on the right/cold on the left

Bottom Feed = Hot on the left/cold on the right

Back Feed = Hot on the bottom/cold on the top

Procedure:

The integral fittings on the valve are of the self-seal push-fit type. Ensure that all burrs are removed from the ends of the supply pipes. Where chromium plated pipe is used then the first 25mm of chrome must be roughened or removed to ensure that the push fit fittings in the supply retain the pipe in position.

The inlet elbows supplied are of a standard length, in some cases these will need to be shortened for correct installation.

Flush out the supply pipes to ensure that no debris enters the unit.

Cut the inlet elbows to the required length.

Locate the inlet elbows into the mixer valve inlets by pushing firmly through the rubber grommets until pipe stop is felt.

Hold the unit on the wall and mark the pipe work to the appropriate length.

Cut the pipes and remove all burrs. Push the unit and elbows firmly onto the pipes until the stop is felt.

Mark the fixing points for the unit.

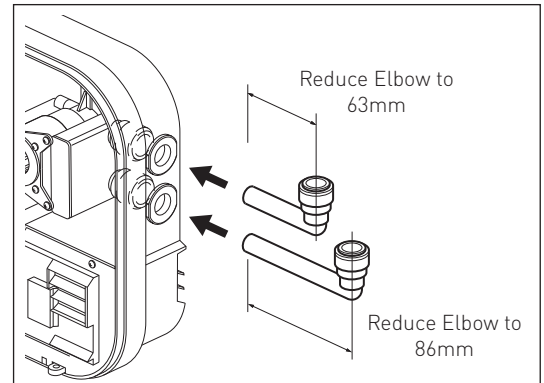
Release unit from pipes by pressing the collets on the elbow fittings, and pulling the unit off the pipe work.

⚠ Warning! Please check for any hidden pipes and cables before drilling holes in the wall.

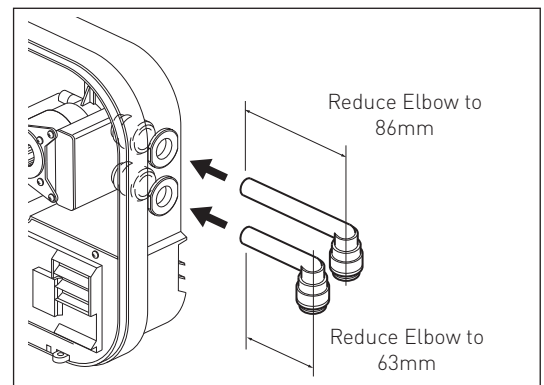
Drill the wall and insert the appropriate wall fixings.

Bring a supply cable (to conform to I.E.E. regulations) from the switch to the unit position. The cable can enter the unit from the rear, or via channels in the base of the unit, and the bottom or the right hand side.

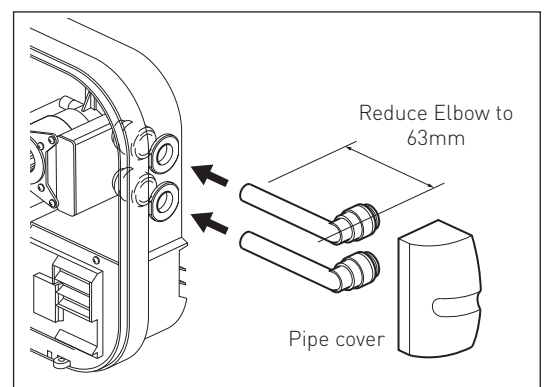
Feed the supply cable in to the unit but do not connect.



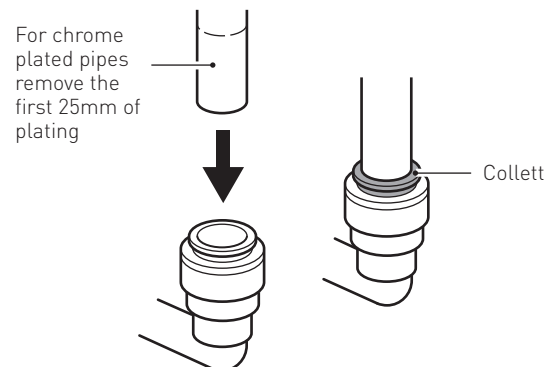
Top Feed



Bottom Feed



Back Feed



Fitting your Shower

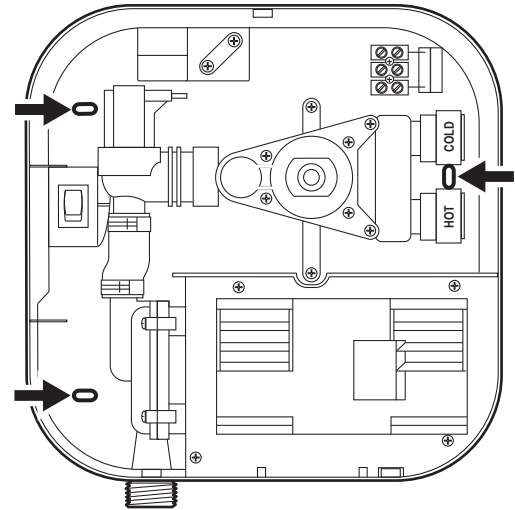
Refit unit to pipes and secure to wall using 32mm x No. 8 screws provided.

Connect the wire which may be coloured Brown or Red to the terminal marked **L**. Connect the wire which may be coloured Black or Blue to the terminal marked **N**. Connect the wire which may be coloured Yellow/Green to the terminal marked **E**.

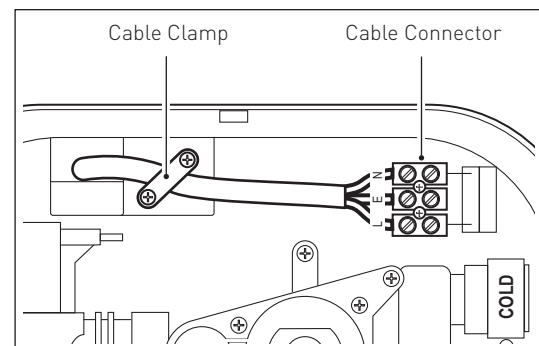
Secure into position with the cable clamp and tighten the two fixing screws.

Do not fit the front cover at this stage refer to the commissioning procedure.

Note: If the electrical supply cable is concealed in the wall ensure that it avoids the unit's fixing points so that fixing screws do not pierce the cable.



Wall fixing points



Electrical connections

Fitting the Riser Rail

Fitting the Riser Rail

Before proceeding with fitting the rail, identify each of the items supplied using the illustration on your right.

The Slider (1) should not be removed from the rail (2) during fitting. The top of the slider has a smooth profile, whereas the underside has a recess revealing the grooves on the handset holder.

Fit the soap dish (3) onto the bottom end of the rail and secure using the small screw from the kit.

Position the rail on the wall, bearing in mind the different heights of people likely to use the shower and the length of the hose when connected to the shower and passed through the retaining hole in the soap dish. Mark the wall to indicate the upper fixing screw position.

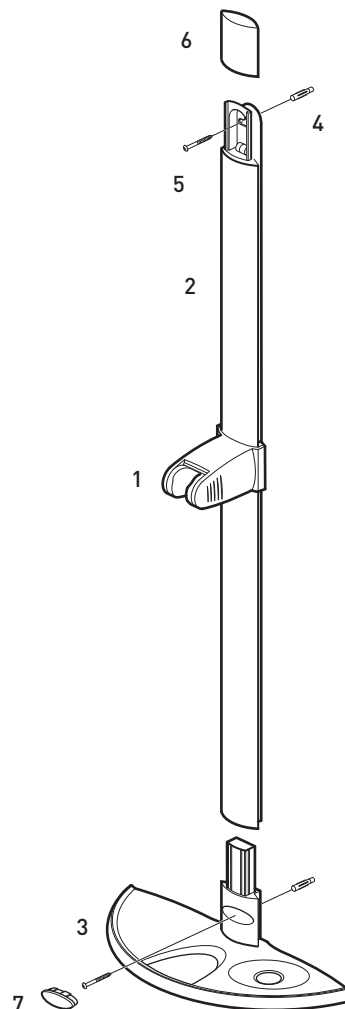
Warning! Please check for any hidden pipes and cables before drilling holes in the wall.

Drill the wall at the marked fixing position using a 6mm drill to a depth of 35mm push the plugs (4) supplied into the hole and loosely fix the rail end using the screw supplied (5), checking that the rail is hanging vertically using the spirit level incorporated into the top end of the rail. The bubble should be exactly between the two lines on the spirit level body. Mark the position for the lower fixing screw, move the rail to one side, drill the wall, and fix the lower end of the rail.

Check that the rail is perfectly vertical and tighten both fixing screws. Slide the end cap (6) into position on the top end of the rail, and fit the screw cover (7) into the recess in the soap dish.

When fitting the hose, it should pass through the larger hole of the soap dish.

Note: The hose nut and not the handset handle, fits into the slider. The slider moves more freely on the rail if gripped next to the rail, rather than at the handset.



Commissioning - Testing the System

With the front cover removed ensure the black 'purge/shower' switch inside the base is switched to purge. This enables water to flow without the pump running which is necessary in the following commissioning process.

Fit the front cover using the 3 fixing screws.

Push the temperature control knob onto the spindle with the marker pointing to the '12 o'clock' position.

Connect the shower hose to the unit but do not fit the handset.

Turn on the hot and cold isolating valves, and the electricity-isolating switch. Place the open end of the hose in the bath or shower tray.

Set the temperature control knob to fully cold (marker at '6 o'clock' position) and press the 'stop/start' button. The pump will not operate but the water should run.

Cold water will run from the hose, and you should allow this to continue for two minutes after which the control knob should be returned to the '12 o'clock' position. Allow the water to run for a few minutes to stabilise the hot water flow.

Turn off the electricity at the isolating switch and remove the knob and cover. Switch the black 'purge/shower' switch to shower and refit the cover and knob ensuring the marker on the knob points to the '12 o'clock' position.

Turn on the electricity at the isolating switch.

Pass the hose through the hole in the front of the soap dish and refit the handset.

Your shower is now ready to run. Press the stop/start button on the front cover to operate the shower, which will work as a power shower.

It is intended that the temperature knob aligned to the '12 o'clock' position you should get a comfortable shower temperature. If however the shower is too hot or cold remove the control knob and adjust the brass spindle anti-clockwise to increase the temperature - clockwise to decrease. When the desired shower temperature is achieved replace the knob with the marker pointing to the '12 o'clock' position.

Temperature Adjustment

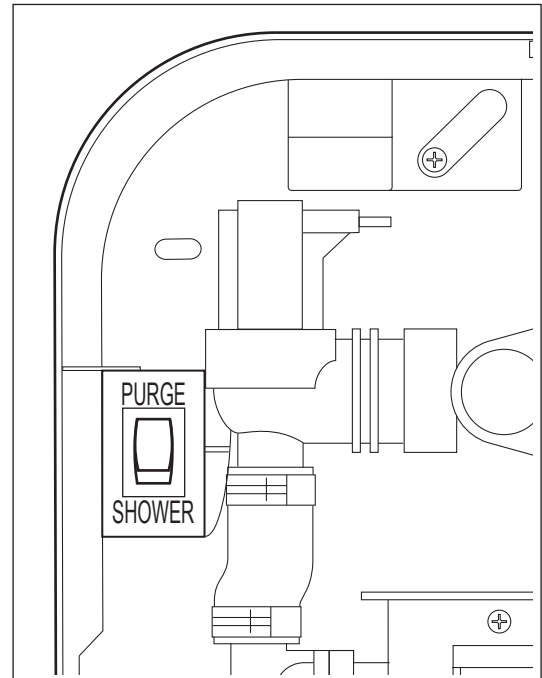
The valve allows the maximum showering temperature to be set at a safe level, preventing accidental scalding. This setting should be made during commissioning and will require that the hot water cylinder is at its normal operating temperature.

IMPORTANT:

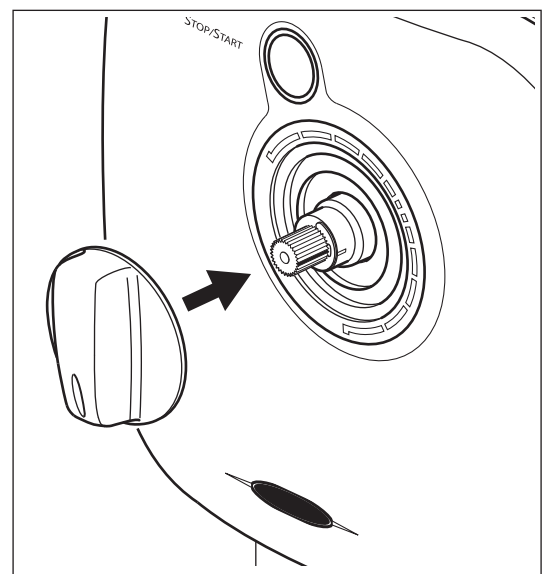
The handset must be in the spray mode.

We recommend the reading of User Instructions before proceeding further. This will familiarise you with the operation of the shower.

Turn the brass mixer valve spindle fully clockwise, and then anti-clockwise until the black line on the spindle is aligned with the groove on the mixer body, and fit the control knob in the fully cold position. Check that it is correctly fitted by turning fully clockwise to the stop, pull the knob off and check that the black line and groove are aligned. Adjust if necessary. This sets the shower temperature to 38-40°C, with the control knob pointing to '12 o'clock', if the stored hot water is at the recommended 60°C.



Purge/shower Switch



Temperature adjustment

Operating the Shower

To operate the shower ensure the temperature control knob is set approximately to the '12 o'clock' position and press the stop/start button (1).

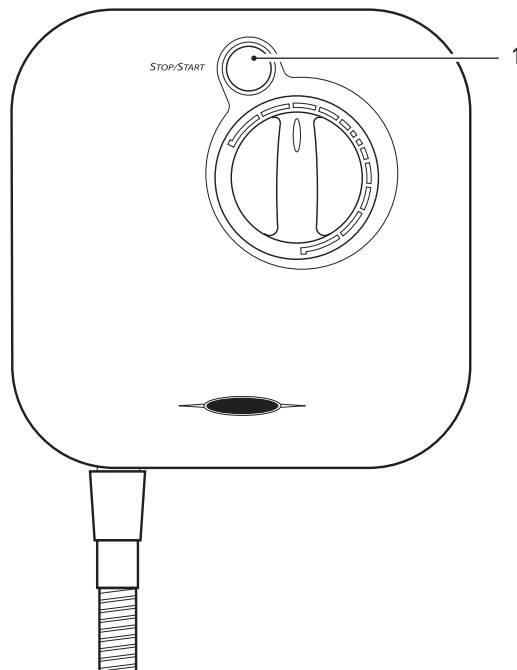
For a hotter shower turn the control knob anti-clockwise, for a cooler shower turn it clockwise.

The handset holder has a friction grip on the rail and simply slides up and down to adjust the height. The angle of the handset can also be adjusted.

The handshower has three shower modes, which are selected by rotating the bezel around the spray head.

Cleaning

Do not at anytime use bath cleaning liquids, powders or specified scratch cleaners on any surface finishes. In order to avoid surface wear or chemical attack on any of your shower fittings when cleaning, always use a damp cloth. For persistent stains or marks, you may use domestic liquid or soap.



Handset

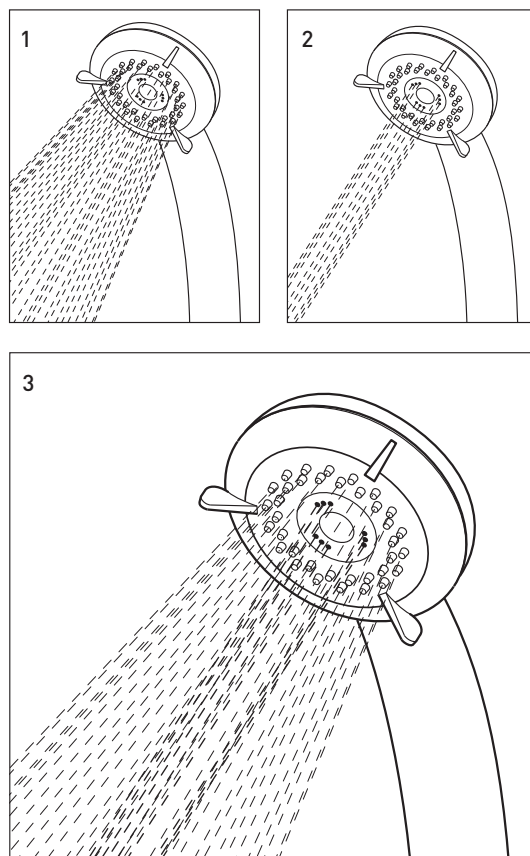
The Handset has three spray modes.

1. Spray
2. Massage
3. Combination


To select the desired showering mode, grip the bezel of the handset and turn in either direction.

Cleaning - Rub-clean feature

To remove any build up of limescale from your handset, remove it from its holder and rub your fingers over the rubber spray jets. Turn the shower on and any build up of limescale will be flushed out of the handset.



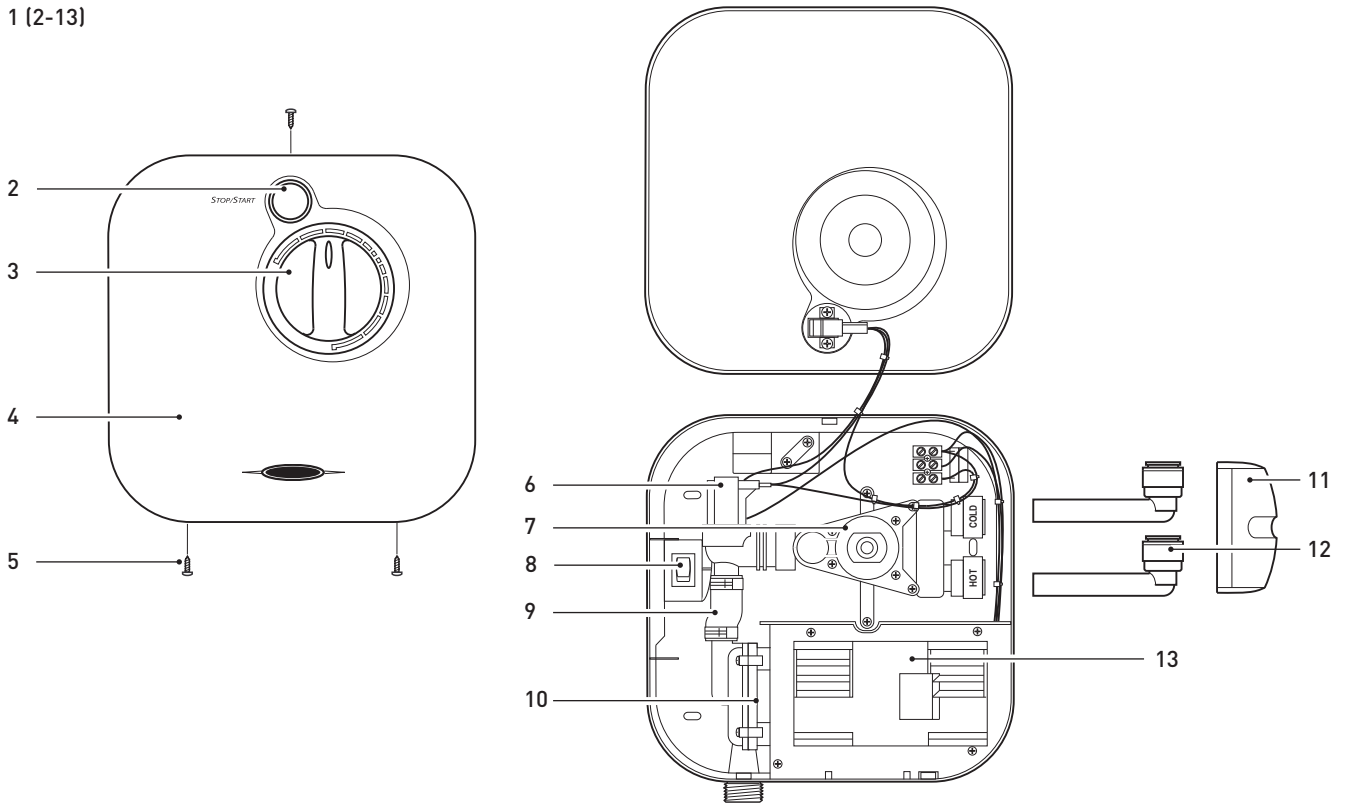
Troubleshooting

 **Warning:** Before carrying out general repairs or testing the shower, ensure that the electricity supply is turned off at the mains and the correct circuit fuse is removed.

Symptom	Likely Cause	Action/Remedy
Pump not operating but water is flowing	Purge/shower switch switched to purge	Isolate electrical supply, remove cover and switch to shower
Pump not operating and no water is flowing	No electricity supply to unit	Check all fuses and electrical supply
Pump operates but no water is flowing	No water supply to unit	Check isolating valves are turned on Check cold-water storage tank has not run dry
Poor performance	Restrictions in water supply	Check both hot and cold isolating valves are fully open
	Pump may have overheated	Allow unit to cool and retry
	Unit may be incorrectly installed	Check that the top of the shower handset is at least 1 metre below the base of the cold water tank

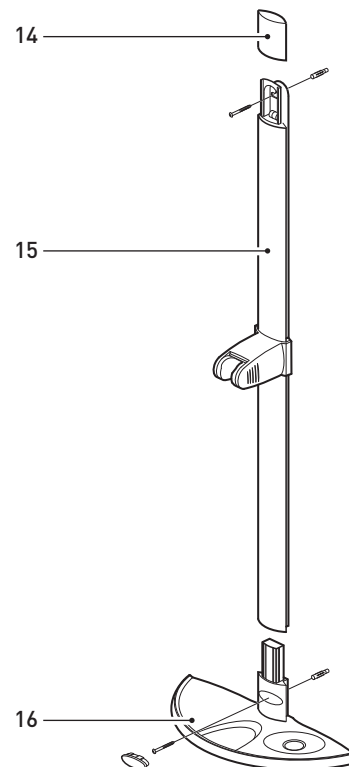
Spare Parts

1 (2-13)



No.	Part No.	Description	No. Off
01	SP-087-0603	Base assembly*	1
02	SP-087-0514	Stop/start button*	1
03	SP-087-0505	Temperature control knob*	1
04	SP-087-0608	Front cover*	1
05	SP-087-0014	Front cover screws	3
06	SP-087-0230	Solenoid	1
07	SP-087-0155	Mixer valve assembly	1
08	SP-087-0211	Purge/shower rocker switch	1
09	SP-087-0127	Pipe connection	1
10	SP-087-0110	Pump unit	1
11	SP-087-0068	Pipe cover*	1
12	SP-086-0061	Long inlet elbow	2
13	SP-087-0035	Motor cover	1
14	SP-280-0024	Rail end cap*	1
15	SP-280-0100	Spirit rail and slider assembly*	1
16	SP-280-0033	Soap dish	1
17	SP-285-0820	Hose*#	1
18	SP-168-0204	Handshower*#	1

* Please define colour # Not shown



Guarantee

Guarantee

Thank you for purchasing a Bristan product. This product has been designed and tested, in the UK, to the highest standards.

Guarantee: 2 Year parts.
1 Year labour (subject to registration).

This guarantee applies to products purchased within the United Kingdom or Republic of Ireland, but does not apply to products used commercially.

This is provided that:

1. The guarantee registration card is completed and returned within ten days complete with a copy of proof of purchase. Proof of purchase is required for any servicing requirements.
2. The product is installed and operated in accordance with our instructions and has not been misused or damaged.

This in no way affects your statutory rights as a consumer.

The information on the Guarantee card helps Bristan to process any claims and contact you about your product and its maintenance if required. The registration of your personal details is purely for Bristan use and the remaining information helps us to make products for the future.

Should a complaint arise, products are guaranteed against faulty workmanship and materials for a period of 12 months from the date of purchase, when in domestic use (second year guarantee is parts only). For your guarantee to be valid, your shower must be installed by a competent person, in accordance with the instruction manual.

Bristan will repair or replace (at our option), free of charge, any faulty components during the guarantee period, provided it has been maintained and operated in accordance with our instructions, and has not been misused or damaged.

Modification or repair of this product by person(s) not authorised by Bristan will invalidate this guarantee.

This guarantee does not affect your statutory rights.

Service Policy

Replacement Parts Policy

Important:

In the event of product or component malfunction, DO NOT tamper with or remove the product from site. Telephone the Customer Services Department and be prepared with the date of purchase, model number and a clear description of the complaint.

Our service staff are fully qualified to advise on correct installation procedures and will be able to diagnose whether the fault will require a replacement part or a visit from a Bristan engineer.

If required, a service call will be booked and either yourself or an appointed representative (who should be a person of 18 years or over) must be present during the visit.

All site visits to product within the guarantee period will be carried out free of any parts or labour charges provided the conditions of the guarantee have been adhered to (the second year guarantee is parts only).

All site visits to product out of guarantee will be subject to charges for parts and labour. Charges will also be levied on cancelled appointments, unless advised to Bristan at least 24 hours in advance of the agreed date and time.

Should a product be discontinued, spare parts stocks will be maintained, but in the event of a part becoming unavailable Bristan reserve the right to supply a substitute of equal quality.

For spare parts please contact Customer Services or via the Bristan website.

Opening times: Please refer to the Bristan website.

Customer Service:

Tel: 0844 7016273 • Fax: 0844 7016275

E-mail: enquire@bristan.com

Issue POW SHX 1000 D3

BRISTAN

Bristan Group Ltd.
Birch Coppice Business Park
Dordon
Tamworth
Staffordshire
B78 1SG
Web: www.bristan.com
Email: enquire@bristan.com

A Masco Company