



Webb 30 cm (12") Hand Push Roller Mower

Instructions for use - Please keep for future reference



This lawnmower is sold for DOMESTIC USE ONLY and not for business use

IMPORTANT

- 1. When using this lawnmower follow the basic safety precautions, as laid out in this guide, at all times.*
- 2. This lawnmower is for mowing lawns only, do not use other than for its intended use.*
- 3. Keep all the packaging until you are sure that the product is operating correctly.*
- 4. Sharp cutting blades. It is recommend that thick gardening gloves are worn whilst unpacking, assembling, adjusting and maintaining the lawnmower.*

Spares & Support: 01793 333212

Instructions

Preparation

- Make sure that you are familiar with the controls and proper safe use of the hand push lawnmower.
- Never allow children or people unfamiliar with these instructions to use the hand push lawnmower.
- Thoroughly inspect the area where the lawnmower is to be used and remove all stones, sticks, wires, and other debris or foreign bodies.
- Never place your hands, fingers or feet near the cutting blade when the lawnmower wheels are moving.
- Never place your hands, fingers near a moving part of the lawnmower.
- Do not operate the lawnmower while barefoot or wearing sandals.
- Walk slowly while using the lawnmower. Never run while using the lawnmower.
- Never use the lawnmower when the grass is wet enough to be slippery.
- Never intentionally strike or ram trees, fences etc. This can cause injury and/or damage to the lawnmower.
- Do not mow steep slopes and always be sure of your footing when operating the lawnmower.

Fitting the handle

Caution:

This operation will have to be done close to the cylinder blade. We strongly recommend that thick gardening gloves are worn and the lawnmower body is secured to stop the blade turning on its own.

- 1 Align the holes on both of the upper handles with those on the handle extensions. Secure them together using the wingnuts and screws provided. Repeat the process with the lower handle. fig 1.
- 2 Attach the assembled handle with one lower handle, by locating the hole onto the pegs within the main body recessed slots on each side of the mower, repeat the process with another lower handle. fig 2.

fig 1.

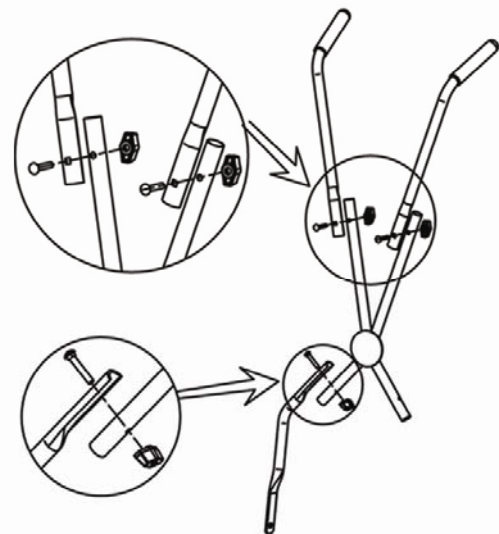
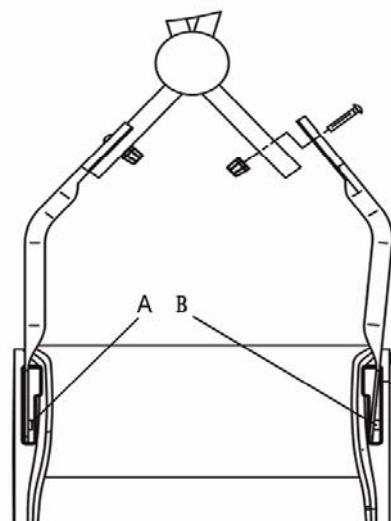


fig 2.



Instructions

Maintenance

Keep your lawnmower in clean condition.

After each use remove all the grass cuttings that have collected in and around the wheels, roller and blades.

We suggest regular application of oil or lubricant (i.e. WD-40). This should be applied to all cutting surfaces, the cutting reel axle shaft.

Guarantee

This product is guaranteed against manufacturing defects for a period of 24 months. This does not cover the product where the fault is due to misuse, abuse, use in contravention of the instructions, or where the product has been the subject of unauthorised modifications or alterations, or has been the subject of commercial use. In the event of a problem with the product within the guarantee period, please contact Customer Service on 01793 333212 or email customerservice@webblawnmowers.co.uk. If the issue cannot be resolved over the telephone or by email, you may be referred to your local approved service dealer.

Please keep your sales receipt as proof of purchase

Your statutory rights remain unaffected. Guarantor: Handy distribution SN3 4NS

Symbols on the lawnmower



Danger !



Read the instruction before use



Keep a safe distance of at least 6 metres from bystanders



Always wear gloves



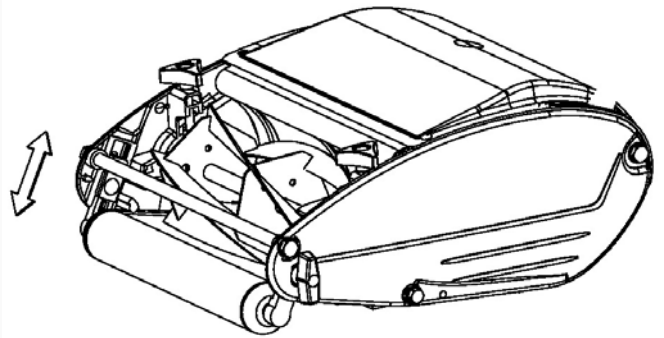
Sharp rotating blades, keep your fingers and hands off

Instructions

Adjusting the cutting height

- 1** The mower can be set to cut at any height between 13mm and 23.5mm. Depending on the height of grass you are cutting, you may want to adjust the cutting height of the lawnmower. This can be done by raising or lowering the cutting height roller. Loosen the two knobs on each side of the cutting height roller then move the roller up or down to set the required cutting height. Fig 5.
- 2** When adjusting the cutting height, the roller is kept level by adjusting each end by the same amount, otherwise you will get an uneven cut.

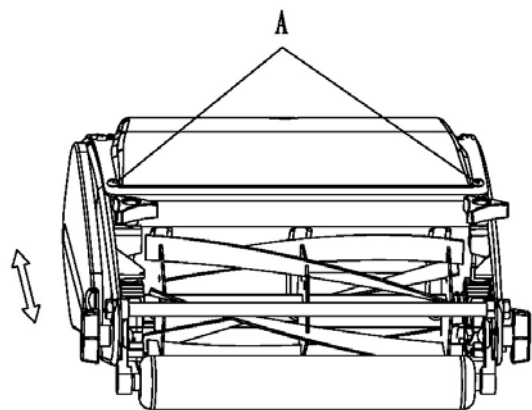
fig 5.



Adjusting the delivery plate

- 1** If the grass is not being delivered satisfactorily into the grass collection bag, the delivery plate may be adjusted. Slacken the two screws(A). Fig 6.
- 2** Move the delivery plate forwards or backwards by means of the projections provided; the delivery plate must not touch the cutting cylinder.
- 3** Retighten the screws.

fig 6.

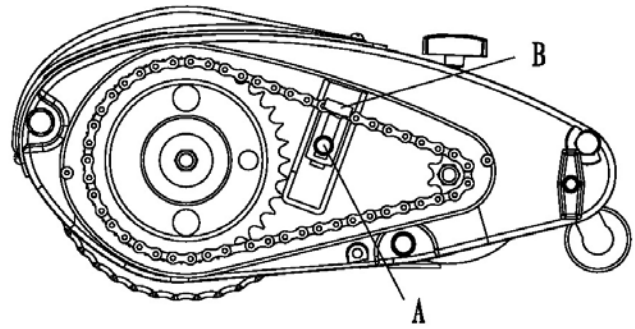


Instructions

Adjusting the chain

- 1** To achieve the correct chain tension. Remove the chain case cover.
- 2** Slacken the nut(A) which holds the chain skate.
- 3** Lift the mower clear of the ground and rotate the rear roller clockwise, as viewed from the sprocket end, one complete revolution. Note at what point the chain causes the chain skate (B) to rise to its peak and, at that point, retighten the nut. Fig 7.

fig 7



Assembling the grass collection bag

- Step1** Insert the two bowed wires separately into the holes on the square wire frame. Fig 8.
- Step2** Insert the single wire into the holes on both bowed wires. Fig 9.
- Step3** Fit the fabric bag onto the wire frame and clip the plastic bar onto the frame. Fig 10.

fig 8.

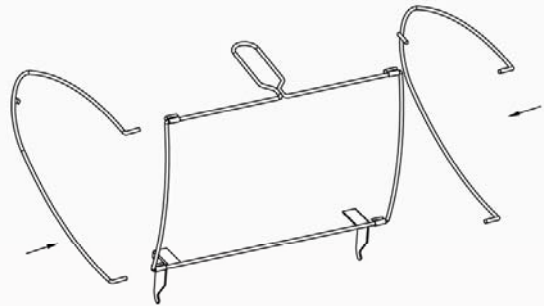


fig 9.

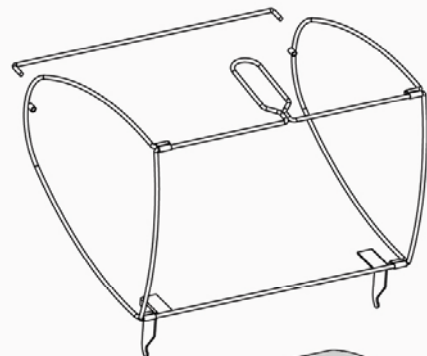
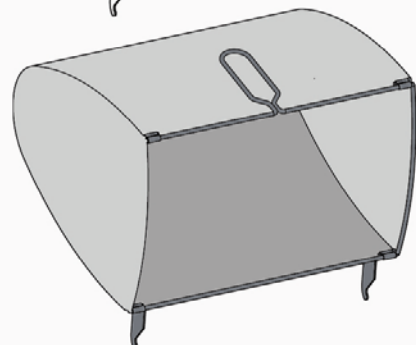


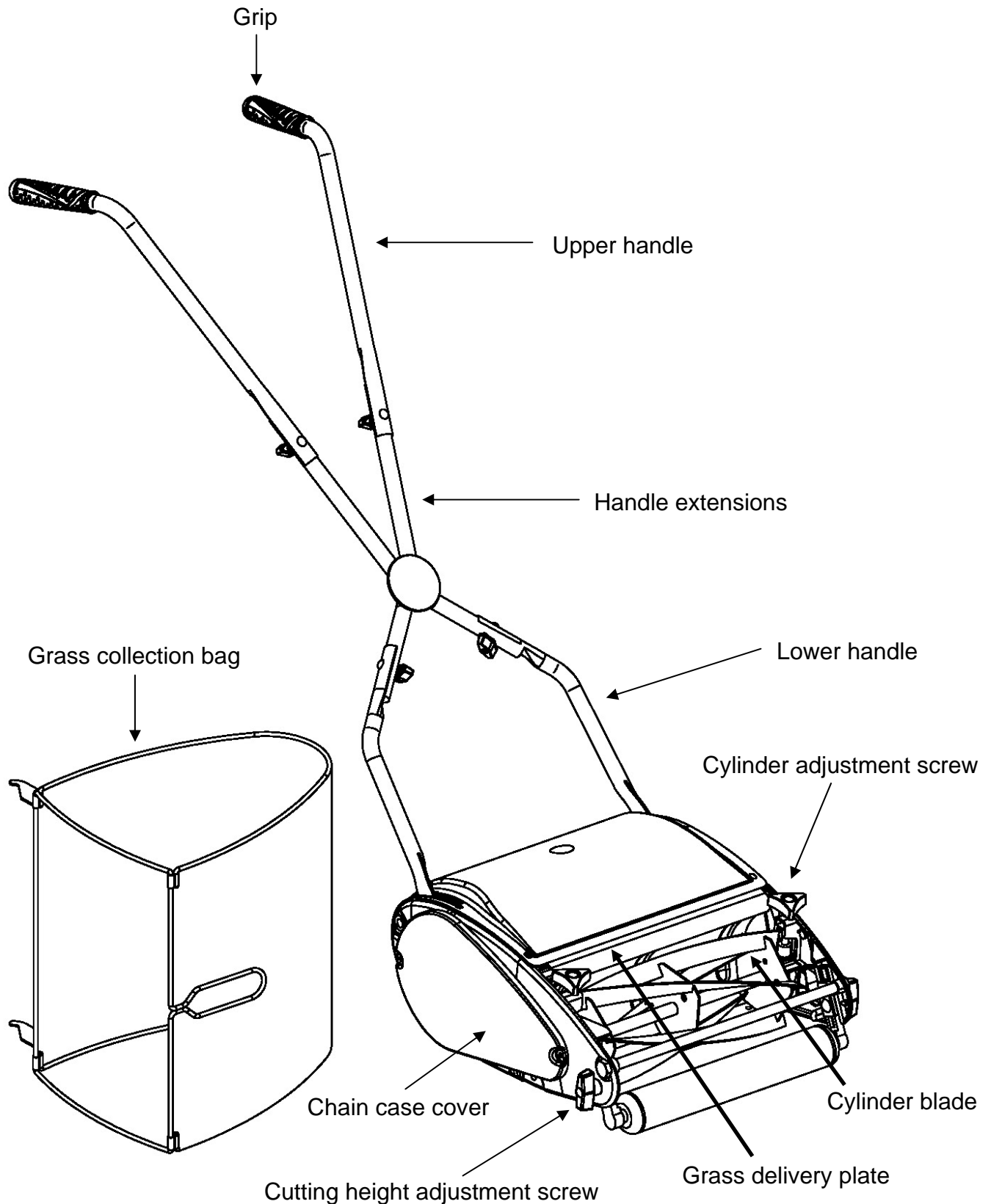
fig 10.



Instructions

Your hand push roller mower

Model No. Webb H12R

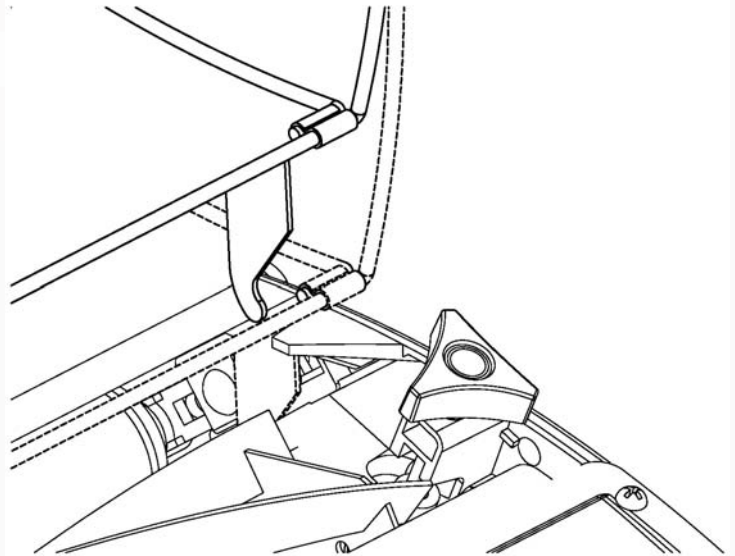


Instructions

Fitting the grass collection bag

If you want to use the grass collection bag, there are two hooks that are fitted to the bottom of the collection bag frame. Fit the collection bag to the front of the mower, using the two hooks to locate and slot it inside the two inner side plates. Fig 3.

fig 3.



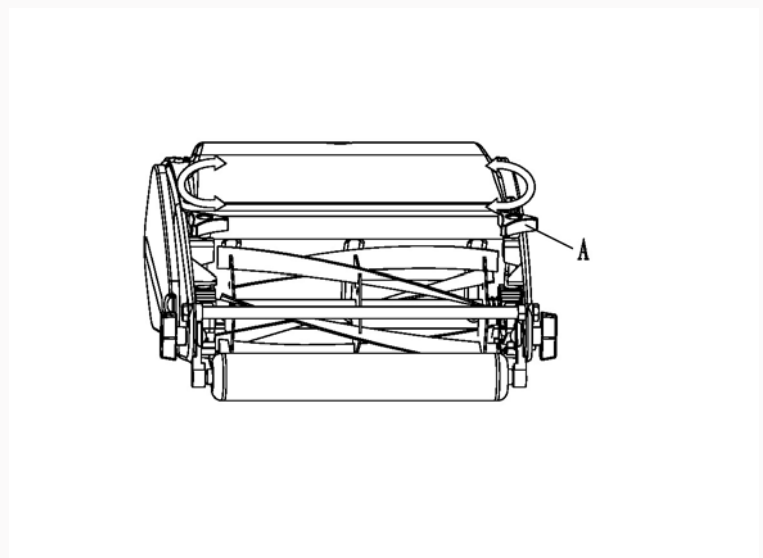
Cylinder setting

Caution:

This operation will have to be done whilst carefully turning the cylinder blade. We strongly recommend that thick gardening gloves are worn.

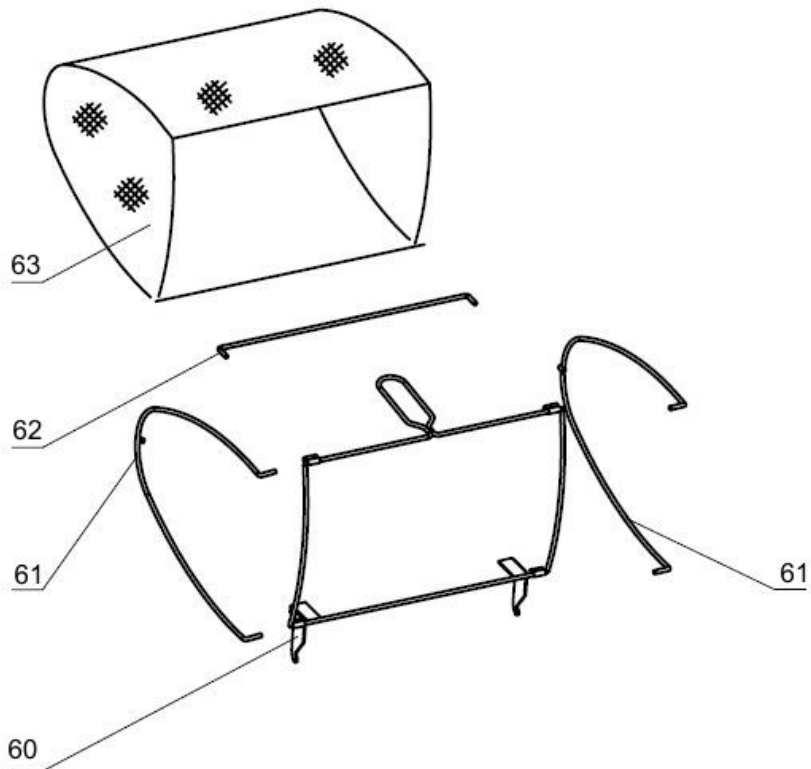
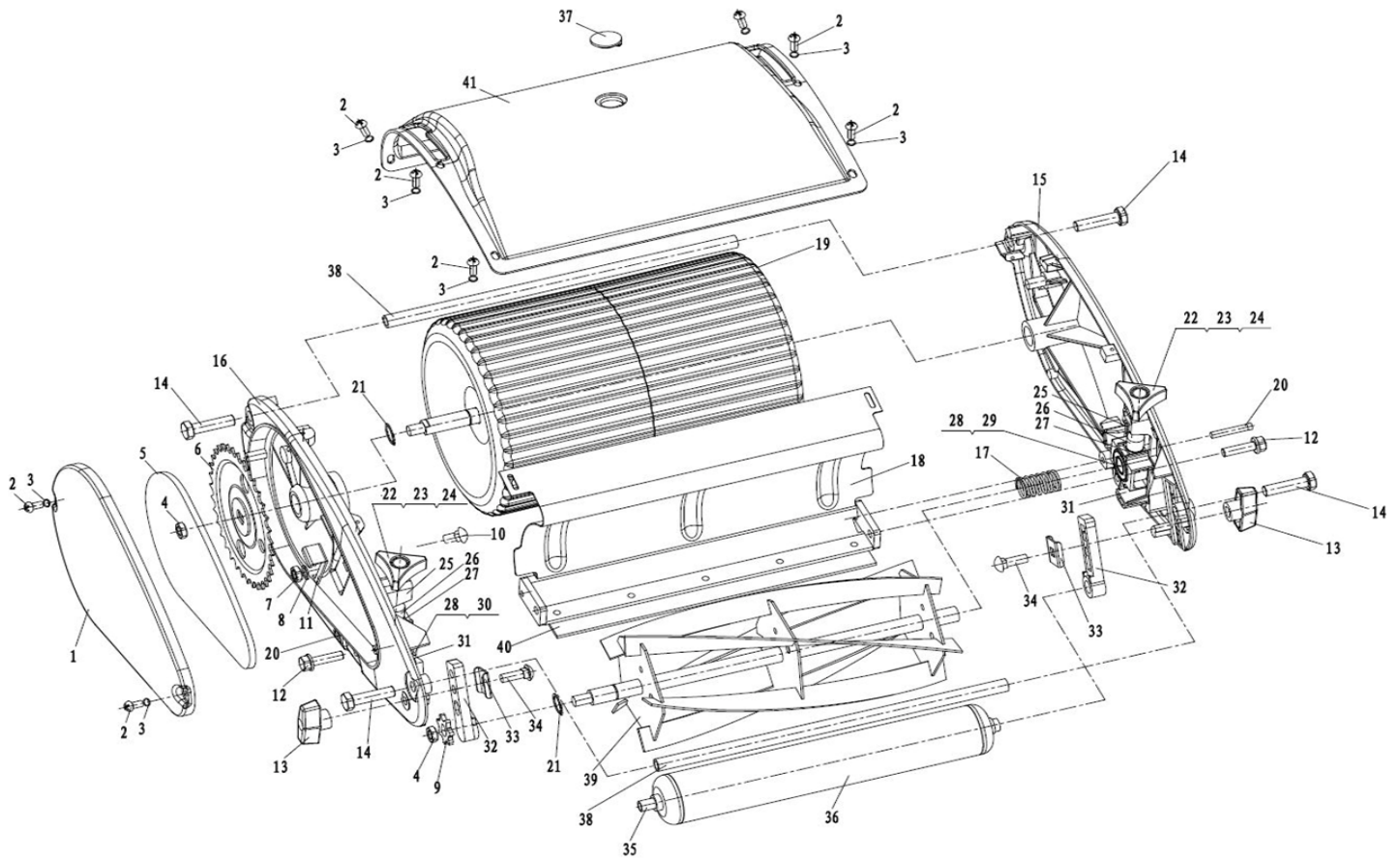
- 1 The fixed blade must be set correctly in order for the lawnmower to work efficiently. Carefully tighten the two "click" adjusting knobs(A) by turning them in small increments in a clockwise direction. Each "click" moves the cylinder by 0.05mm. Fig 4.
- 2 When the cylinder blade just makes contact with the fixed blade turn the rotating knobs slightly in an anticlockwise direction until the rotating blade turns and you have light contact with the fixed blade. Check that the machine will cut a piece of good quality writing paper along the whole length of the fixed blade with each of the five blades of the cylinder.

fig 4.



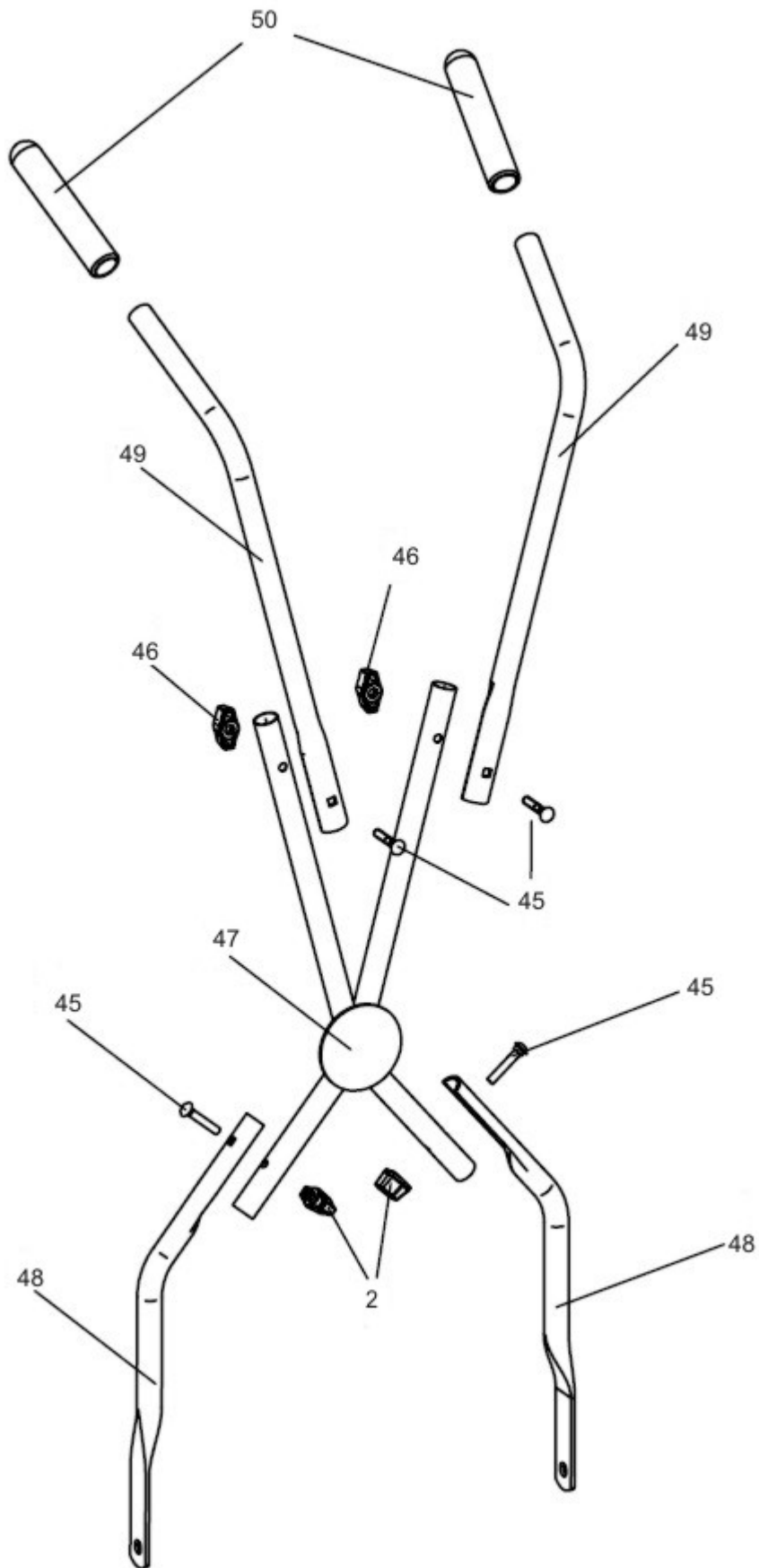
Instructions

Parts Diagrams



Instructions

Parts Diagrams



Instructions

Parts Lists

REF	PART NO	DESCRIPTION	QTY	REF	PART NO	DESCRIPTION	QTY
1	WE108-1	Chain Case Cover	1	28	WE108-28	Bearing	2
2	WE108-2	Bolt	8	29	WE108-29	Bearing Cup 2	1
3	WE108-3	Washer	8	30	WE108-30	Bearing Cup	1
4	WE108-4	Lock Nut	2	31	WE108-31	Adjuster Spring	2
5	WE108-5	Chain	1	32	WE108-32	Roller Bracket	2
6	WE108-6	Sprocket Wheel Assembly	1	33	WE108-33	U Shape Washer	2
7	WE108-7	Lock Nut	1	34	WE108-34	Carriage Bolt	2
8	WE108-8	Washer	1	35	WE109-35	Front Roller Axle	1
9	WE108-9	Small Sprocket Wheel	1	36	WE109-36	Front Roller	1
10	WE108-10	Carriage Bolt	1	37	WE108-37	Cover Insert	1
11	WE108-11	Chain Adjuster	1	38	WE108-38	Side Plate Connecting Rod	2
12	WE108-12	Hex Head Bolt	2	39	WE108-39	Cutting Cylinder	1
13	WE108-13	Knob	2	40	WE108-40	Cutter Bar Assembly	1
14	WE108-14	Hex Head Bolt	4	41	WE108-41	Rear Roller Cover	1
15	WE108-15	Left Side Plate Assembly	1	45	WE108-45	Handle Bolt	4
16	WE108-16	Right Side Plate Assembly	1	46	WE108-46	Handle Wing Nut	4
17	WE108-17	Reel Spring	1	47	WE108-47	Centre Handle	1
18	WE108-18	Grease Delivery Plate	1	48	WE108-48	Lower Handle	2
19	WE108-19	Rear Roller Assembly	1	49	WE108-49	Top Handle	2
20	WE108-20	Cutter Bar Pin	2	50	WE108-50	Handle Grip	2
21	WE108-21	Axle Washer	2	60	WE108-60	Collection Box Main Frame	1
22	WE108-22	Cutter Bar Adj Knob	2	61	WE108-61	Collection Box Side Frame	2
23	WE108-23	Cutter Bar Adj Knob Cover	2	62	WE108-62	Collection Box Support Arm	1
24	WE108-24	Cutter Bar Adjuster Bolt	2	63	WE108-63	Collection Box	1
25	WE108-25	Hex Head Nut	2				
26	WE108-26	Adj Stop Block Push Up	2				
27	WE108-27	Adj Stop Block	2				

To order spare parts and see the complete range of garden machinery and garden equipment from Webb, visit:

www.webblawnmowers.co.uk

Spares Hotline: 01793 333212

