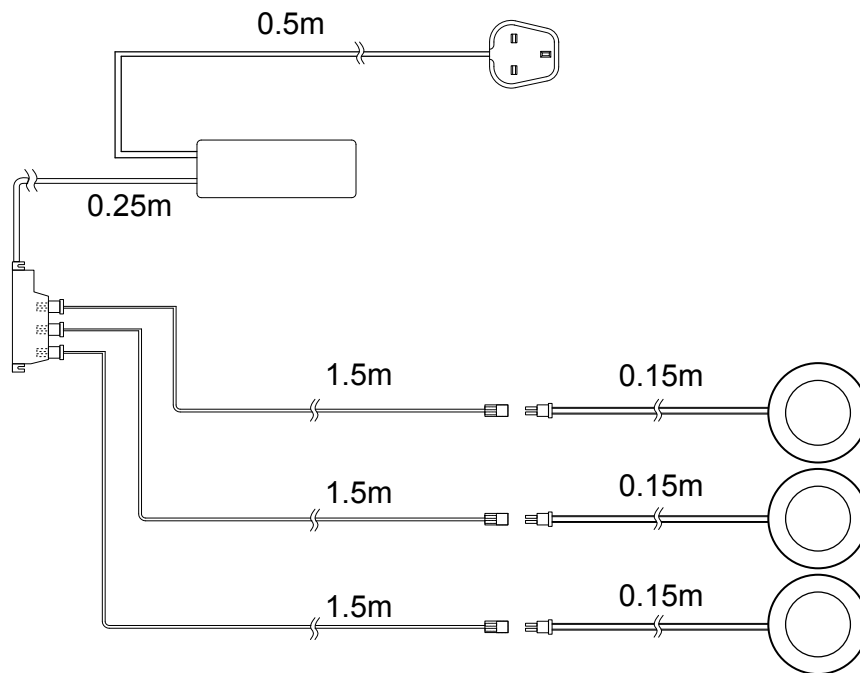



LED Round Cabinet Light recessed/mounted kit

These instructions are for your safety. Please read through them thoroughly before use and retain for future reference.



Before You Start

- Check the pack and make sure you have all of the parts shown above. If not, contact your local Trade counter who will be able to help you.
- Decide on an appropriate location for your product (see siting instructions below).
- Install in accordance with IEE Wiring regulations and current Building Regulations.
-  This system operates at Safety Extra Low Voltage (12V), via an LED driver. Never connect the light fittings directly to the mains without using the supplied LED driver.
- These products are not suitable for dimming.
- **If you are in any doubt about installing this product, consult a qualified electrician.**

Siting Instructions

1. This product is only suitable for use in living areas (not for areas constantly subject to moisture).
2. This product is suitable for indoor use only. Not suitable for bathrooms.
3. Do **not** attach to surfaces which are damp or freshly painted.
4. This product is suitable for installation on surfaces with normal flammability e.g. wood, plasterboard, masonry. It is not suitable for use on highly flammable surfaces (e.g. polystyrene, textiles).
5. The chosen location should allow for the product to be securely mounted and safely connected to the mains supply via the supplied LED driver.

Installation

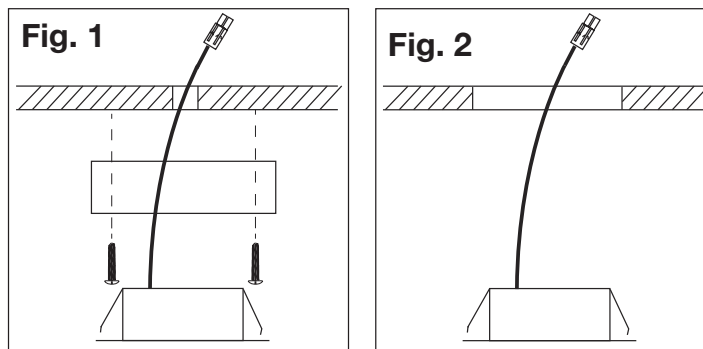
- 1) Position the mains plug next to the indoor mains outlet socket that the system will connect to.
- 2) Decide whether to surface mount or recess the fittings. For recessed installation, a 57mm diameter hole will need to be cut in the mounting surface. After deciding the layout of the light fittings and the position of the junction box, ensure the cables are long enough to connect to the desired positions.

Surface Mounted (See Fig. 1)

- Drill a 14mm diameter hole and pass the connector & cable through.
- Fix the surface mounted fitting to the cabinet using the screws provided.

Recessed Fitting (See Fig. 2)

- Remove outer surround from product (push out from the back).
- Cut a 57mm hole in the mounting surface.
- Feed the cable through the hole, and push the fitting home so it is secured using the clips.



Wiring

- 1) This product can be wired in two ways:

Plug into mains socket or remove plug and connect the supplied mains lead to a fused outlet socket. The Brown wire must be connected to the terminal marked L. The Blue wire must be connected to the terminal marked N. This fitting must not be earthed.

- 2) Ensure that the cables are secured in place using clips (not supplied) and are not positioned where they could create a hazard.
- 3) Connect each light to the junction box ensuring each plug is fully fitted into the junction box sockets.
- 4) Plug into the mains socket and switch on.

LED information

This product uses 9 x 0.15W SMD LEDs per head - giving a total output of 4W per kit.

LED colour temperature is 4000K

The LED lamps in this product are non-replaceable

Care & Use

- Always switch off or disconnect from the mains when cleaning the product.
- Wipe clean with a soft dry cloth. Never use scourers, abrasives or chemical cleaners. Do not allow moisture to come into contact with electric parts.
- Waste electrical products should not be disposed of with household waste. Please recycle where facilities exist. Check with your Local Authority or retailer for recycling advice.

