



Harlem Spotlight Installation Instructions

14820
82357

This product should only be installed by a qualified electrician.

Before Starting

Please read through these instructions before commencing work, and keep them for future reference.

Please Take Extreme Care When Carrying Out These Instructions

Warnings!

This is a Class 1 product and must be earthed.

Please read these instructions carefully before commencing any work. It is recommended that this fitting is installed by a qualified electrician.

Install in accordance with the IEE Wiring regulations and the Building Regulations.

To prevent electrocution switch off at mains supply before installing or maintaining this fitting. Ensure other persons cannot restore the electrical supply without your knowledge. If you are in any doubt, please consult a qualified electrician.

This light fitting should be connected to a 5 amp fused circuit.

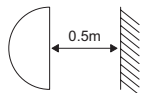
If replacing an existing fitting, make a note of the connections.

Always use the correct type and wattage bulb. Never exceed the wattage stated.

When changing a bulb, always switch off at the mains and allow the old bulb to cool down before handling. Dispose of used bulbs carefully.

This product is suitable for indoor use only, on normal flammable surfaces.

Siting Instructions



SPOTLIGHTS GIVE A CONCENTRATED BEAM OF LIGHT AND MUST NOT BE POSITIONED ANY CLOSER THAN 0.5M (50CM) TO THE ILLUMINATED SURFACE. NEVER POINT TWO SPOTLIGHTS DIRECTLY TOWARDS EACH OTHER.

We do not recommend locating spotlights in bathrooms (due to the risk of broken glass in the event a bulb breaks). This product is suitable for installation on surfaces with normal flammability e.g. wood, plaster-board, masonry. It is not suitable for use on highly flammable surfaces (e.g. polystyrene, textiles).

Fixing Instructions

Make sure you have the following items which are required to install this light fitting:

Small electrical screwdriver, cross head screwdriver & insulation tape.

The installation of this fitting will be much easier with the help of an assistant.

Step 1

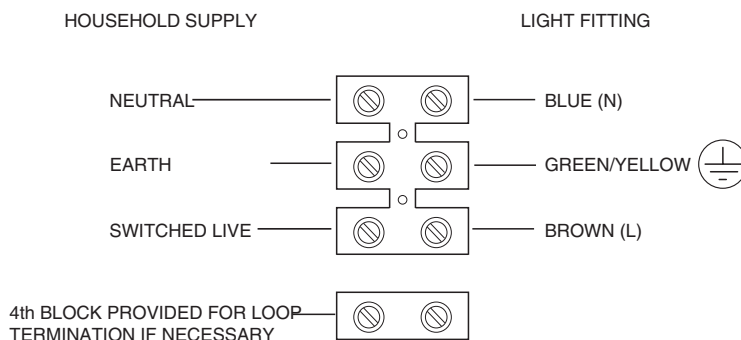
Existing ceiling roses must be completely removed before installation of a new product. Before removing the existing fitting or ceiling rose, **carefully note the position of each set of wires**. Where a ring/loop circuit exists there will be a fourth set of wires (usually red) that are not connected to the L, N, or E. of the fitting. This circuit must be kept together in the 4th terminal of the connection block, and insulated from the fitting and the other wires. **The ring/loop will remain live unless isolated at the mains or circuit breaker regardless of the position of the wall switch.**

Step 2

Remove the fixing bracket (A) from the ceiling cover (see diagram in step 5) and attach to the ceiling using the screws provided. Ensure there is a joist at the point of fixing to support the weight of the product. Take care to avoid damaging any concealed wiring and pipes.

Step 3

Having identified the household wiring from your existing light fitting, connect to the connection block inside the product in the following way:



Check that.....

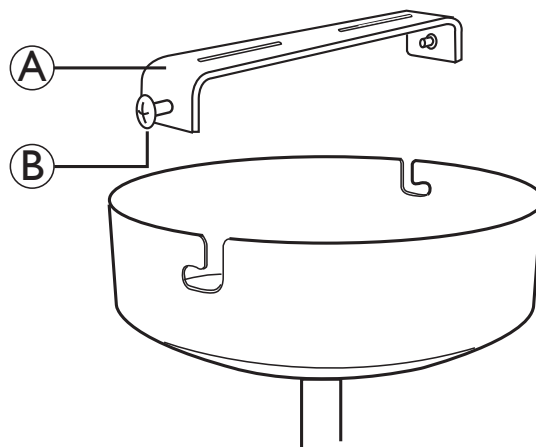
- You have correctly identified the house wires.
- The connections are tight.
- No loose strands have been left out of the connection block.

Step 4

When completed, ensure that there are no bare or loose strands of wire exposed, and cover all exposed areas of the connection block with 2 layers of insulation tape.

Step 5

This product has "L" shaped fixing holes to allow easy fixing to the ceiling strap. Locate the "L" slots around the small screws (B) on the ceiling strap (A). Rotate the ceiling cover to attach the product to the strap. Tighten the screws to secure. Take care not to trap any wiring.



Step 6

Replace fuse or circuit breaker and switch on. Your spotlight is now ready for use.

Fitting/Replacing the bulbs

This fitting has non replaceable LEDs

Care and cleaning

Finish - Clean with a soft dry cloth. Do not use abrasive materials as these will damage the finish.



Waste electrical products should not be disposed of with normal household waste. Please recycle where facilities exist. Check with your Local Authority for recycling advice.