

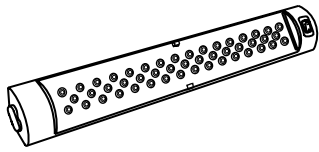







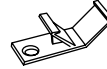
# Installation and Safety Instructions



## LAP LED Under Cabinet Light

**These instructions are for your safety. Please read through them thoroughly before use and retain for future reference.**

Ref	Description	Illustration	Qty
A	Light Fitting		1
B	Power Lead 1 metre		1
C	Connecting Lead 0.5 metre		1

Ref	Description	Illustration	Qty
D	Fixings kit		
	Screw		2
	Wall Plug		2
	Corner Bracket (A)		2
	Surface Bracket (B)		2

### Tools Required (not supplied)

6mm Cross Headed Screwdriver - Pencil

### Before You Start

- Decide on an appropriate location for your product (see siting instructions below).
- **If you are in any doubt about installing this product, consult a qualified electrician.**

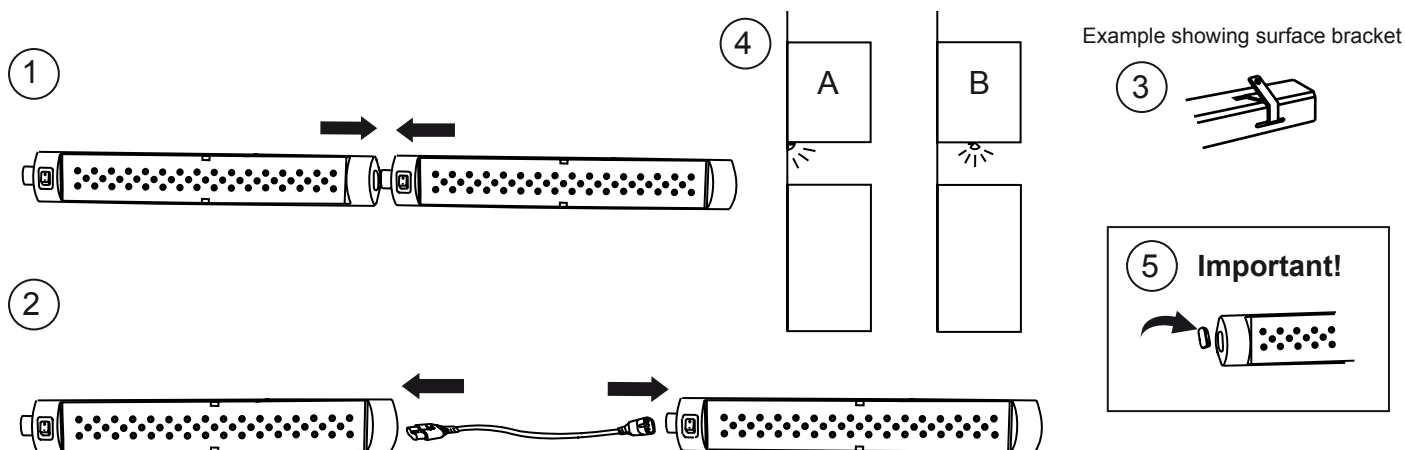
### Siting Instructions

1. This product is designed for use under kitchen cupboards, bookshelves, cabinets etc. Suitable for indoor use only. Not suitable for bathrooms.
2. Do **not** attach to surfaces which are damp or freshly painted.
3. The chosen location should allow for the product to be securely mounted and safely connected to the mains supply (240V wall socket or fused outlet socket).
4. Ensure cables are routed to avoid accidental damage or hazard.

### Connection

1. Firstly choose the amount of products you wish to connect together (product length 250mm, or 550mm or both etc.)
2. When deciding to fix the lights to the surface, choose which orientation the product will be fixed. Horizontal (mounted directly underneath a kitchen wall unit) or in a corner (between the wall and underside of the wall unit).

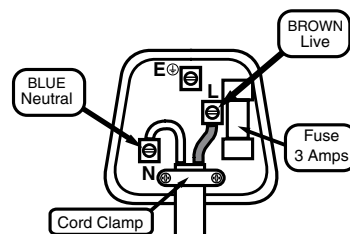
3. Each product can be connected directly to each other by fitting the connecting end piece into the receptive socket of the other, so forming a line of products. (see diagram 1). The other option is to use the connecting lead to join the products together as desired (see diagram 2).
4. Generate the layout of your choice and measure the positions of the number of units. Measure the distance between the bracket slots at either end of the product (see diagram 3). If you wish to fix the product to a corner position use corner bracket (A). Use the surface bracket (B) to fix to a flat surface (see diagram 4).
5. Ensure you route cables to avoid accident or damage occurring. Cables can be secured to a mounting surface after installation.
6. Connect to a mains supply either directly to a fused outlet or attach a plug.
7. If a connector end is not being used remember to replace the covering cap (see diagram 5). This is **important** to prevent accidental electric shock.



**Wiring - This product is double insulated and must not be earthed.**

This product can be connected to the mains supply in two ways:

1. Directly wire the power lead to a fused outlet socket. The Brown wire must be connected to the terminal marked L or coloured red. The Blue wire must be connected to the terminal marked N or coloured black. Use a 3 Amp Fuse.
2. Attach an approved 3 Amp fused plug to the end of the power lead. The plug must be wired as shown here.
3. Under no circumstances must the connecting lead be modified for use as a power lead. This would make the exposed input socket live.



**Care & Use**

- Always switch off or disconnect from the mains when cleaning the product.
- Wipe clean with a soft dry cloth. Never use scourers, abrasives or chemical cleaners. Do not allow moisture to come into contact with electric parts.
- This product uses LEDs (Light Emitting Diodes) and is maintenance free. The LEDs give you several years of use without ever needing to changing a bulb. There are no user serviceable parts in this kit and should malfunction or damage occur, the kit must be replaced. The LEDs are not replaceable.



Waste electrical products should not be disposed of with household waste. Please recycle where facilities exist. Check with your Local Authority or retailer for recycling advice.