

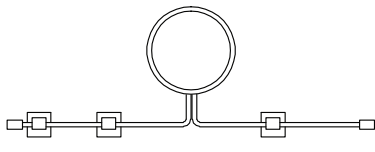
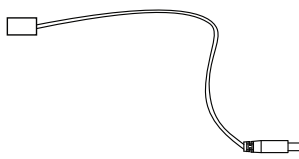


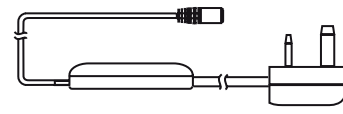


Installation and Safety Instructions

LAP LED Disk downlights kit 4pk



These instructions are for your safety. Please read through them thoroughly before use and retain for future reference.

Ref	Description	Illustration	Qty
A	Head unit, cable and connector		4
B	Extension cable		1

Ref	Description	Illustration	Qty
C	Plug, LED driver 0.2m cable		1
D	Fixings kit		
	Screw		8
	Adhesive pad		4

Tools Required (not supplied)

- 6mm Cross Headed Screwdriver
- Pencil

Before You Start

- Decide on an appropriate location for your product (see siting instructions below).
- **If you are in any doubt about installing this product, consult a qualified electrician.**

Siting Instructions

1. This product is designed for use under kitchen cupboards, bookshelves, cabinets etc. Suitable for indoor use only. Not suitable for bathrooms.
2. Do **not** attach to surfaces which are damp or freshly painted.
3. The chosen location should allow for the product to be securely mounted and safely connected to the mains supply (240V wall socket or fused outlet socket).
4. Ensure cables are routed to avoid accidental damage or hazard.

Installation

1. Lay out/ measure the positions of the head units as desired. Ensure you route cables to avoid accident or damage occurring. Cables can be fixed to mounting surface after installation using supplied clips.
2. Each head unit is supplied with 1m of cable (2 x 0.5m).
3. Attach heads in position using either the supplied screws or self adhesive pads. If using the screws to fix the heads you will need to separate the head from the frame. Carefully push on the rear of the LED unit, towards the edge. See Fig 2. There is a knock out on one edge of the frame so the cable can be laid flat to the surface. Carefully trim the frame to allow the cable to pass through. Screw the frame to the mounting surface ensuring the cable is passing through the knock out. When the frame is secure, carefully push the LED unit back into position ensuring the tabs align with the slots. See Fig. 3.



Waste electrical products should not be disposed of with household waste. Please recycle where facilities exist. Check with your Local Authority or retailer for recycling advice.

4. Connect all heads together and connect extension cable. Take care not to create a trip hazard. Cables can be tidied and secured to the mounting surface using tape or the clips supplied.
 5. Connect cable to driver (C). Fix driver to surface (secure with supplied screws). Check all connections are tight.
 6. Your lights are now ready for use.
- These units are Safety Extra Low Voltage and must not be earthed.**

Connection

This product can be connected to the mains supply in two ways:

1. Simply plug into a mains socket. If it is necessary to remove the plug to feed the cable through an external wall, the plug can be disconnected and rewired as shown here.
2. It is also permissible to remove the plug and directly wire the product to a fused outlet socket. The Brown wire must be connected to the terminal marked L or coloured red. The Blue wire must be connected to the terminal marked N or coloured black. Use a 3 Amp Fuse.

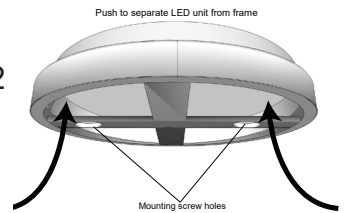
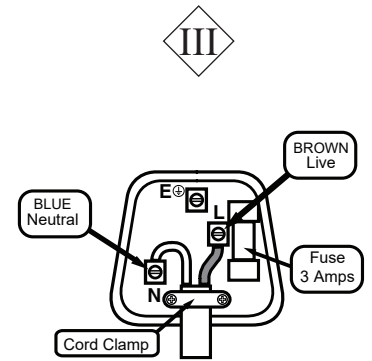
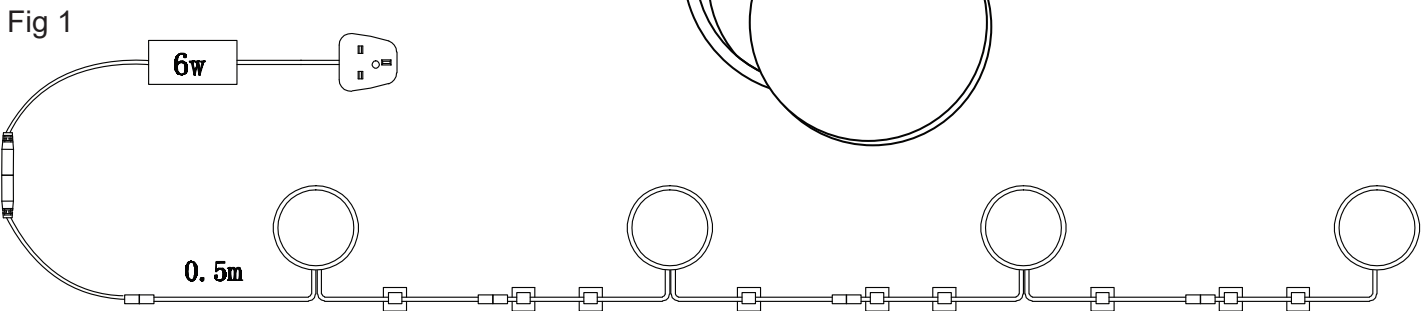
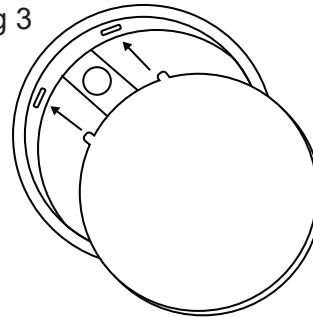


Fig 2

Fig 3

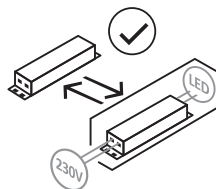


Care & Use

- Always switch off or disconnect from the mains when cleaning the product.
- Wipe clean with a soft dry cloth. Never use scourers, abrasives or chemical cleaners. Do not allow moisture to come into contact with electric parts.
- This product uses LEDs (Light Emitting Diodes) and is maintenance free. The LEDs give you several years of use without ever needing to changing a bulb.



Non-replaceable light source



Replaceable control gear by an end-user

Obtain suitable replacement driver - ensuring all technical specifications match the existing item.

Connect the "mains plug cable" to the input power terminal block inside the driver casing marked "PRI". Connect Blue cable to Neutral and Brown cable to Live.

Connect the "low voltage cables" to the "SEC" terminal block inside the driver casing coming from the product.

This product contains a light source of energy efficiency class G.