

Master lite



Installation and Safety Instructions

LED Spike Light Kit 2pk

These instructions are for your safety. Please read through them thoroughly before use and retain for future reference.

These instructions on wiring and installation are provided as a guideline to assist you. Some experience of electrical wiring and do-it-yourself is required to install the light fitting. **If at any time you are unsure of how to proceed, please consult a qualified electrician.**

Important!

The plug-in transformer must be situated indoors (e.g. house, garage, shed) in order to protect it from the elements.

Before Starting

Please read through these instructions before commencing work, and keep them for future reference.

Please Take Extreme Care When Carrying Out These Instructions

This Kit contains:

1x 350mA CC indoor transformer, 15 metres of cable, 1x 2-way connection box, 2x black heads with 3x High Power LEDs and 2 metres of cable, 2x spikes with fixing bolts, 4x fixing screws and 4x wall plugs, plus 1 connection loop.

Information:

This lighting kit is designed for outdoors installation in the garden. This system operates at Safety Extra Low Voltage (350mA CC), via the transformer. Never connect the light fittings directly to the mains without using this transformer.

Always remove the plug from the mains socket when installing or maintaining this system.

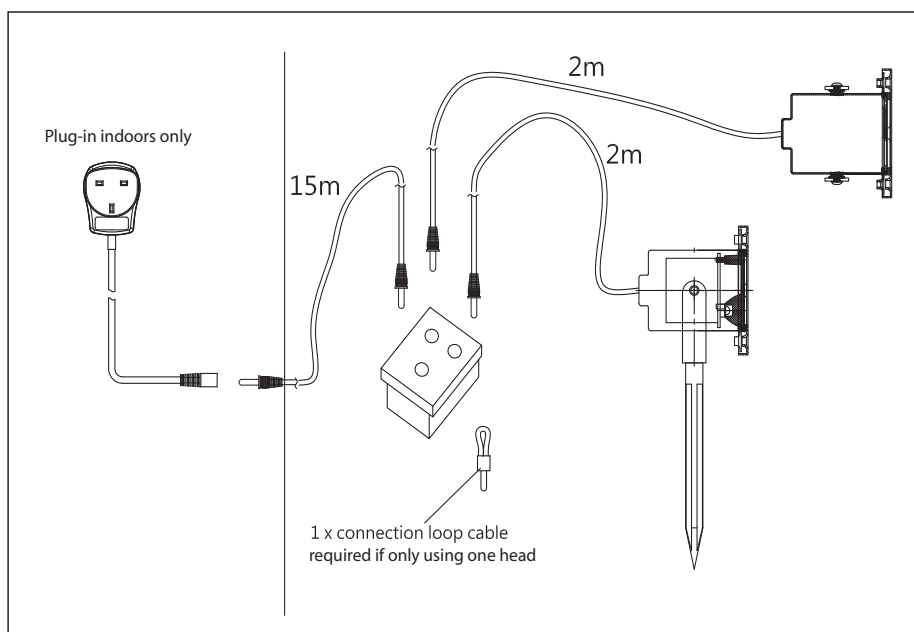
Do not add to or modify this kit in any way. LED bulbs are not replaceable.

Layout:

Plan the desired position for these fittings carefully, ensuring the cables will reach the distances between the indoor plug-in transformer, the connection box and each light fitting.

Avoid locating any cables in positions that would cause a trip hazard. Position cables and connection box away from areas where they may be at risk from being cut, trapped or damaged.

The plug-in transformer has no special protection against moisture and must be situated indoors.



The connection box is rated at IP44 and can be positioned outdoors. Do not bury it in the ground and avoid positioning it in very wet areas.

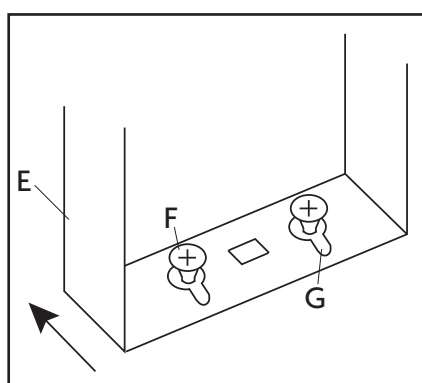
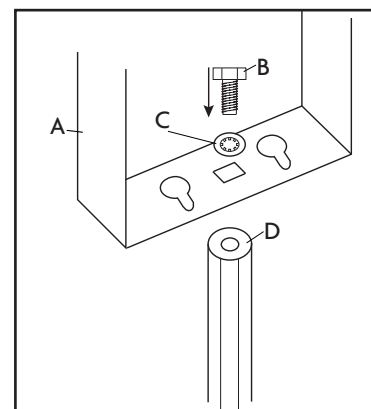
The light units are rated at IP44.

Installation

- 1) Position the plug-in transformer next to the indoor mains outlet socket that the system will connect to. Do not plug in at this stage.
- 2) After deciding where to place the light fittings, ensure the cables are long enough to connect to the desired positions.
- 3) Connect the lights to the connector box. If only one head is used - fit the connection loop into the empty socket.
- 4) If possible locate the connection box in a dry place.

If fixing these lighting units into the ground by using the spikes

- 3) Remove the bolt (B) and washer (C) from the top of the spike (D) and locate the centre hole in the bracket (A). Screw on the spike securely.
- 4) Push each spike into the ground making sure there are no underlying cables or obstacles. Ensure the cable attached is not overstretched as this could cause damage to the product.



If fixing these lighting units to decking:

- 5) Mark the position of the two 'keyhole' slots (G) on your decking in the desired location.
- 6) Use a suitable sized drill to drill the holes for the fixing screws supplied.
- 7) Insert the screws (F) leaving them protruding approximately 3mm from the surface.
- 8) Fit the product to the decking by sliding the bracket (E) onto the screws ensuring they are fully engaged in the 'keyhole' slots. Tighten the screws further if necessary.

- 9) Tilt the head into the desired position.
- 10) Plug the indoor plug-in transformer into the mains socket and switch on.

Care & Use

- Always switch off or disconnect from the mains when cleaning the product.
- Wipe clean with a soft dry cloth. Never use scourers, abrasives or chemical cleaners. Do not allow moisture to come into contact with electric parts.
- Waste electrical products should not be disposed of with household waste. Please recycle where facilities exist. Check with your Local Authority or retailer for recycling advice.

