

These instructions on wiring and installation are provided as a guideline to assist you. Some experience of electrical wiring and do-it-yourself is required to install the light fitting. If at any time you are unsure of how to proceed, **you must consult a qualified electrician.**

Before Starting

Please read through these instructions before commencing work, and keep them for future reference.

Please Take Extreme Care When Carrying Out These Instructions.

Important!

This light fitting must be connected to the supply earth. If your lighting circuit does not have an earth, ask a qualified electrician to provide an earth facility. Light fittings should be connected to a 5 amp fused circuit. This light fitting is suitable for indoor use only.

Warning!

Always switch off electricity supply at the mains during installation and maintenance. We recommend that the fuse is withdrawn or the circuit breaker is switched off whilst work is in progress. **Do not just turn off at the wall switch.**

All fittings must be installed in accordance with the current edition of the IEE Wiring Regulations (BS7671:Requirements for Electrical Installations).

Please Note:

This product is suitable for use with a dimmer switch.

Fixing Instructions

Step 1

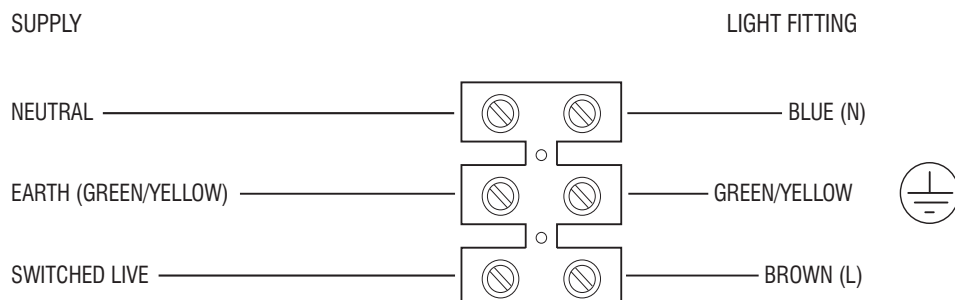
Before removing the existing fitting, carefully note the position of each set of wires.

Step 2

Remove the fixing strap from the product and attach to the wall using the screws and wall plugs provided. Take care to avoid damaging any concealed wiring and pipes.

Step 3

Having identified the household wiring from your existing light fitting, connect to the connection block inside the product in the following way:



Check that.....

You have correctly identified the house wires.

The connections are tight.

No loose strands have been left out of the connection block.

Step 4

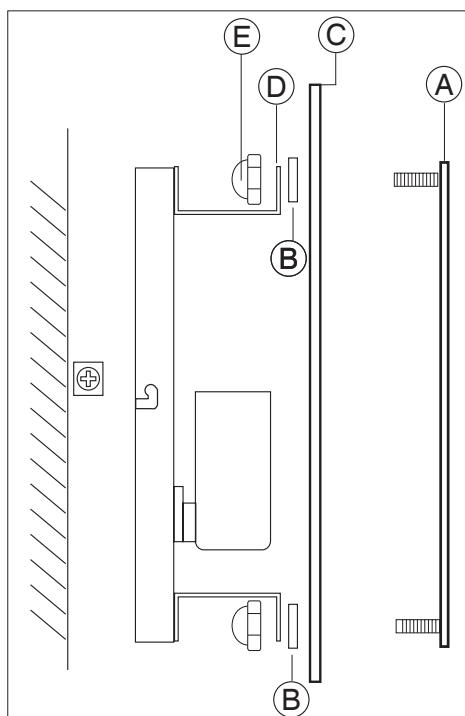
When completed, ensure that there are no bare or loose strands of wire exposed and cover all areas of the connection block with two layers of insulation tape.

Step 5

Ensuring the lampholder points upwards, refit the product to the strap. Tighten the side screws to secure.

Attaching the shade:

1. Locate the threads of fixing plate (A) through glass plate (C). Add a rubber washer (B) to each thread of fixing plate (A).
2. Locate the threads through the bracket (D) and fix in position by screwing on finials (E) to each thread.
3. Tighten finials by hand to hold glass securely.
4. Do not overtighten.



Fitting/Replacing the bulb

Always allow the bulb to cool before touching. Fit the recommended bulb. Do not exceed the recommended wattage or use a different shape of bulb as this may cause your light fitting to overheat.

Step 6

Replace fuse or circuit breaker and switch on.
Your light is now ready for use.

Care and cleaning

Finish - We recommend cleaning with a soft dry cloth. Do not use abrasive materials as these will damage the finish.

Safety Information

For your safety, always switch off the supply before changing lightbulbs, cleaning or removing shades.



Waste electrical products should not be disposed of with normal household waste. Please recycle where facilities exist. Check with your Local Authority for recycling advice.