



Circulo LED Recessed Non Dimmable Polished SS Installation Instructions

Thank you for purchasing this light fitting. Please read the instructions carefully before use to ensure safe and satisfactory operation of this product. Please retain these instructions for future reference.

Warning:

This light fitting is Double Insulated and does not require connection to an Earth circuit.

Please read these instructions carefully before commencing any work.

This system operates at Mains Voltage (240V) and must be installed by a qualified electrician and in accordance with IEE Wiring Regulations and current Building Regulations.

An appropriate outdoor mains cable must be used to power this product.

To prevent electrocution switch off at mains supply before installing or maintaining this fitting. Ensure other persons cannot restore the electrical supply without your knowledge. If you are in any doubt, please consult a qualified electrician.

This light fitting should be connected to a circuit with a 30mA RCD fitted.

If replacing an existing fitting, make a careful note of the connections.

This system contains non-replacable parts and cannot be serviced. If damage occurs the part should be scrapped.

This product is not suitable for dimming.

This luminaire is designed for outdoor installation and is rated at IP65.

This will require an appropriate outdoor rated junction box (not supplied).

This product is not suitable for location in or near a marine environment.

This product is unsuitable for immersion in water or very wet areas.

The maximum load of this product is 5kN

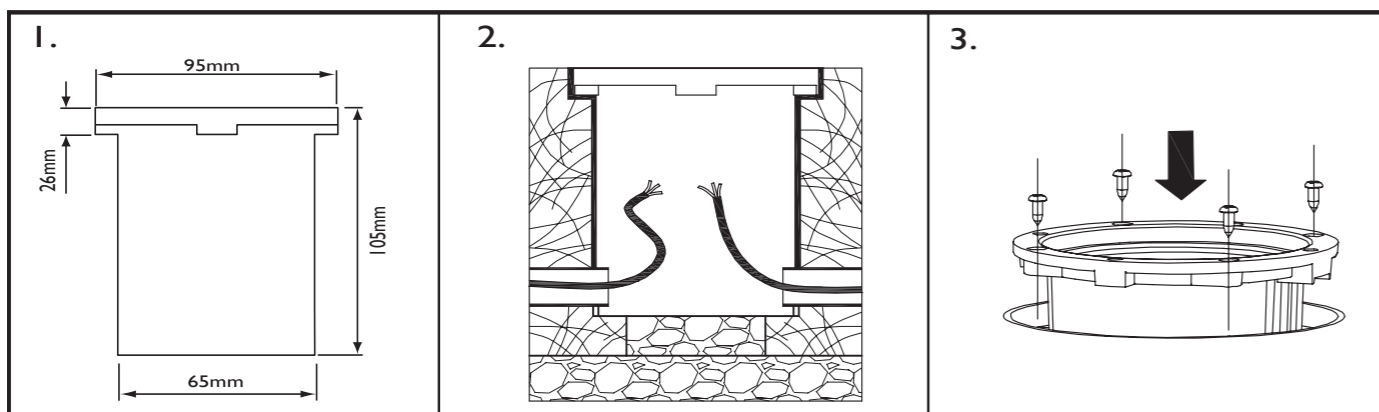
Siting:

- Plan the desired layout of this fitting carefully, ensuring the cables will reach the distance between the junction box and the light fitting.
- Avoid locating any cables in positions that would cause a hazard. Position cables and outdoor rated junction boxes (not supplied) away from areas where they may be at risk from being cut, trapped or damaged.
- Suitable outdoor cables must be used and protected using suitable conduit or plastic trunking.

Installation:

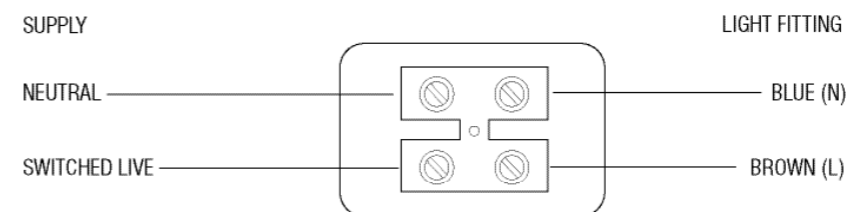
Existing fittings must be completely removed before installation of a new product. Before removing the existing fitting, carefully note the position of each set of wires.

- Undo the four screws holding the bezel and the glass shade in place. Set aside. Undo the two self tapping screws holding the main unit to the housing.
- The product must be mounted in the supplied housing. It should not be directly installed in the soil.
- Form a recess to fit the housing into. The dimensions of the housing are given below in Fig. 1. Ensure that there is adequate drainage below the product.
- Position the conduit or plastic trunking under the housing and pull the cable through as shown in Fig. 2. Ensure that the cables are not snagged. A loop through cable may be fitted as shown.
- Fix the housing in place.



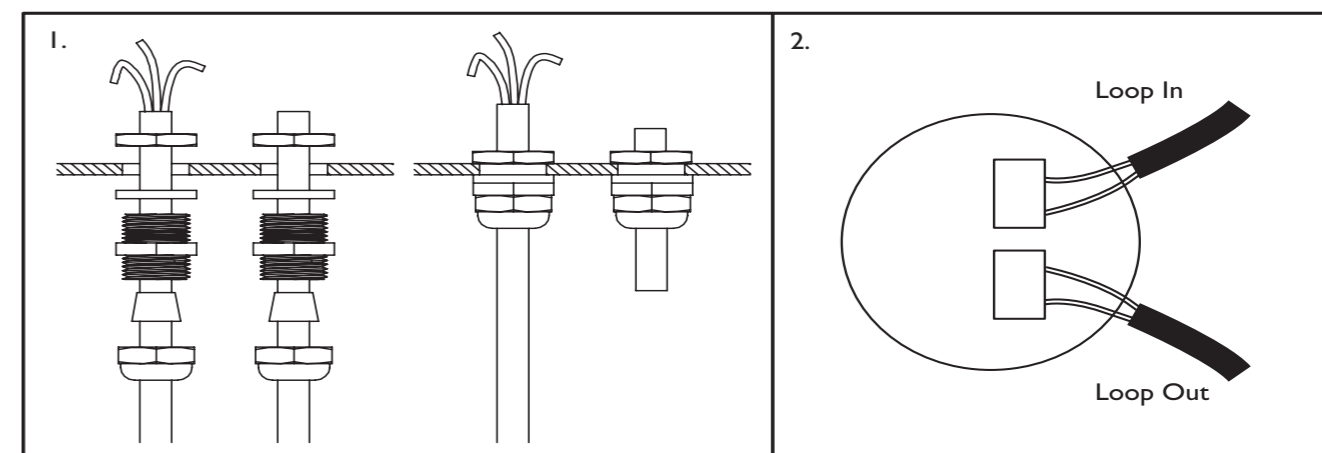
Terminal Block Wiring:

Having correctly identified the wiring, connect to an approved outdoor rated external terminal block (not supplied) in the following way:



Loop Wiring

- Feed the cable(s) through the gland at the bottom of the unit. If using the loop through option, remove the blanking panel and fit the other gland as shown overleaf.
- Remove the reflector and PCB assembly from the plastic holder.
- Feed the mains input cable through the hole in the bottom of the plastic holder. Ensure that the cable is stripped down 5mm. Push down the yellow quick release lever and fit the L core in place. Release the quick release lever. Repeat for the N core.
- Re-assemble the unit, and refit the PCB and reflector.
- Refit the plastic holder in position. Pull the cable(s) through the gland and ensure that the gland is tightened to maintain the IP rating.



Check that....

You have correctly identified the wires.

The connections are tight.

No loose strands have been left out of the connection block.

Ensure that all cord grips are tightly secured on the approved outdoor rated external terminal block.

Ensure that all seals are re-fitted correctly to the approved outdoor rated external terminal block.

Replace fuse or circuit breaker and switch on. Your light is now ready for use.

Fitting / Replacing Bulbs:

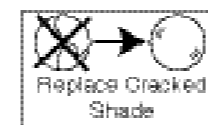
This system contains non-replaceable parts and cannot be serviced. If damage occurs the part should be scrapped.

Care and Cleaning:

Finish - We recommend cleaning with a soft dry cloth. Do not use abrasive materials as these will damage the finish.

Safety Information:

For your safety, always switch off the supply before changing lightbulbs, cleaning or removing shades.



The glass shade must be replaced immediately should the glass shade become cracked or damaged. This fitting must not be used without the glass shade in place.



Waste electrical products should not be disposed of with household waste. Please recycle where facilities exist. Check with your Local Authority or retailer for recycling advice.