



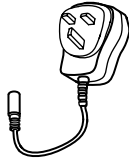

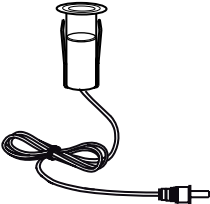
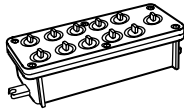
# Installation and Safety Instructions

## 15mm LED Recessed 10lt kit

Type: 50697 (14396) / Type: 39935 (79756)

**These instructions are for your safety. Please read through them thoroughly before use and retain for future reference.**

### Parts and Fittings Supplied

Ref	Description	Illustration	Qty	Ref	Description	Illustration	Qty
A	Plug Transformer		1	C	5m Connecting Lead		1
B	LED Light with 5m cable		10	D	Connector Box		1


### Tools Required (not supplied)

- Power Drill
- 12mm hole saw or Forstner bit
- Pencil

### Before You Start

- Decide on an appropriate location for your product (see siting instructions below).
- If you are in any doubt about installing this product, consult a qualified electrician.**

### Information

This system operates at Safety Extra Low Voltage (12V). It must not be earthed   
 Never connect the light fittings directly to the mains without using this plug transformer.  
 Always unplug from the mains when installing or maintaining this system.

### Siting Instructions

- This product is designed for recess mounting in / under kitchen cupboards, bookshelves, cabinets etc. **It requires holes to be drilled into / through the mounting surface.**
- The chosen location should allow for the product to be securely mounted and safely connected to the mains supply (240V wall socket or fused outlet socket).
- Ensure cables are routed to avoid accidental damage or hazard.
- This kit is suitable for indoor use only, but the LED units and connector box are rated at IP44 making them ideal for use in kitchens and bathrooms. If installing in a bathroom, the plug transformer must be installed outside a bathroom.

## Installation

1. Position the plug next to the mains outlet socket that the system will connect to. Do not plug-in at this stage.
2. After deciding the layout of the light fittings, ensure the cables are long enough to connect to the desired positions (see Fig.1).
3. Drill the mounting holes for the light units taking care not to damage any pipes or mains cables beneath the mounting surface (see figure 2). Drill a 12mm hole, maximum 30mm clearance depth. The minimum thickness of mounting surface is 10mm, but be aware the LED units will protrude from the rear of the mounting surface - Please bear this in mind when installing into cupboards/shelves.
4. Feed the connector end and cable of each light unit through the mounting holes and push unit into the hole to secure.
5. Secure connecting box to top of mounting surface/ inside cupboard etc. Use screws (not supplied). Ensure the connection box is accessible for future maintenance.
6. Connect each LED light to the connecting box by removing the rubber plugs and inserting the lead into the sockets. Insert the power lead into the first socket as shown in Fig.1. Any unused sockets must be fitted with a rubber plug to prevent moisture ingress.
7. Plug into the mains socket and switch on. Tidy cables with tape or cable clips (not supplied).

## Bulb Replacement

This product uses non- replaceable LEDs and has no user serviceable parts.

Fig.1

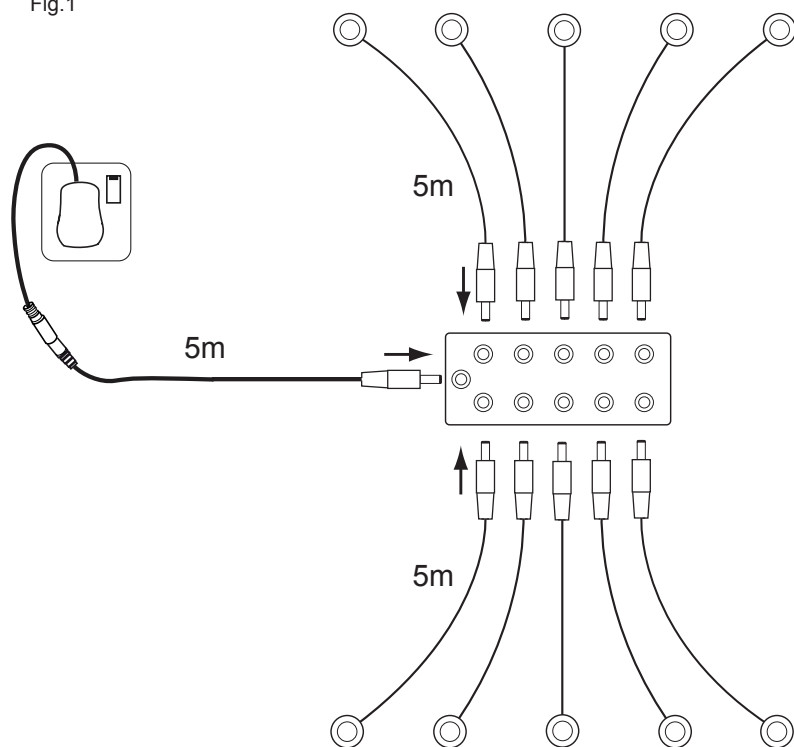
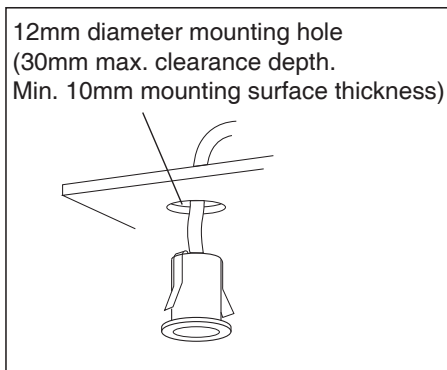


Fig.2



## Care & Use

- The external flexible cable of this product cannot be replaced. If the cable is damaged the product should no longer be used.
- Disconnect mains supply when carrying out maintenance of the product.
- Wipe clean with a soft dry cloth. Never use scourers, abrasives or chemical cleaners. Do not allow moisture to come into contact with electric parts.
- Waste electrical products should not be disposed of with household waste. Please recycle where facilities exist. Check with your Local Authority or retailer for recycling advice.

