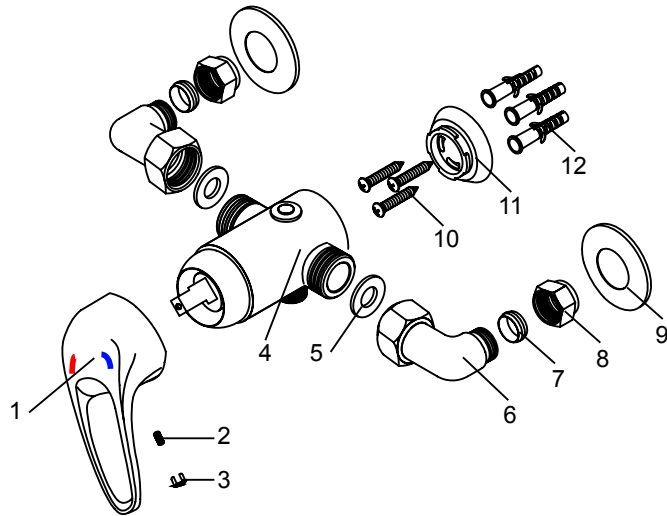




# Fitting Instructions

## Manual Shower Valve



### PARTS SUPPLIED

ITEM	DESCRIPTION	QTY
1	Lever Handle	1
2	Grub Screw	1
3	Indice	1
4	Valve Body	1
5	Sealing Washer	2
6	Elbows	2
7	Copper Rings	2
8	Nuts	2
9	Flanges	2
10	Wall Screws	3
11	Wall Mounting Plate	1
12	Wall Plugs	3

### BEFORE YOU START

This product must be connected to water supply in accordance with the Water Supply (Water Fittings) Regulations 1999, and also to comply with UK Building Regulations. If you are in any doubt about these requirements, contact a qualified plumber, your local Water Company or the Water Regulations Advisory Service (WRAS).

- Identify all components and check pack contents.
- TURN OFF MAINS WATER SUPPLY. The mains stopcock is usually situated where the supply enters the building.
- It is also recommended that the water heating arrangements are turned off.
- Isolate the hot and cold water supply.

### SPECIFICATION

#### Operating Specification

Hot Water Supply- Max 75 °c

Recommended 50-65 °c

#### Operating Pressures

Min. 0.3 bar- Max. 7.0 bar

Operating pressures on both hot and cold lines should be as even as possible in order to ensure the maximum efficiency of the mixer.

### EXPOSED SHOWER VALVE INSTALLATION

**IMPORTANT:** before fitting the mixer, flush pipes thoroughly. Do not allow dirt, metal particles or shavings to block inlets. Once this is done, turn off water supply.

- The Valve will normally ship with the water outlet to the bottom and the cold inlet to the right (indicated by a blue dot). This means that the Lever Handle will point downwards when shower is off. If you require the outlet from the top, do not simply turn the valve over. To change the outlet position:
  - Use an Allen key to unscrew the threaded outlet beneath the Valve Body.
  - With a sharp knife, remove the cap from the Valve Body plug (on top of unit).
  - Remove plug with Allen Key. Place plug in outlet's previous position and vice versa.
  - Tighten.
- Prepare hot and cold inlet pipes with centres 150mm apart, cold supply to the right. For water inlet pipes, leave a minimum of 10mm exposed.
- Including Sealing Washers (5), fit Elbows (6) loosely to the Valve Body (4).
- Centre Wall Mounting Plate (11) between pipe ends and mark drill holes.

5. Drill holes and insert Wall Plugs (12).
6. Position Wall Mounting Plate (11) on wall and insert Wall Screws (10) and tighten, but not fully.
7. Push Valve Body (4) on to Wall Mounting Plate (11) and twist to engage lugs. It may require some manoeuvring to ensure vertical alignment of the Valve Body.
8. Remove Valve Body (4) from wall mounting plate and re-align as marked. Then tighten screws Holding Wall Mounting Plate(11) and re-fit Valve Body(4).
9. Secure Elbows (6) to inlet pipe ends using Nuts (8) and Copper Rings (7).
10. Place the Lever Handle (1) onto the Valve, to check that it moves freely left and right.  
When satisfied, fit Grub Screw (2) and tighten with an Allen key.
11. Insert Indice (3) into Lever Handle.
12. Turn on water supply and check for leaks.

## **AFTER CARE**

To maintain the appearance of this fitting, ensure it is cleaned only using a clean soft damp cloth.

A solution of warm water and mild liquid detergent may be used where necessary and then rinsed thoroughly. Abrasive cleaners or acidic cleaners **MUST NOT BE USED** under any circumstances. Avoid contact with solvents.

Please retain these instructions for future reference.

Watersmith UK Ltd., BA22 8RT.

## **MANUFACTURER'S GUARANTEE**

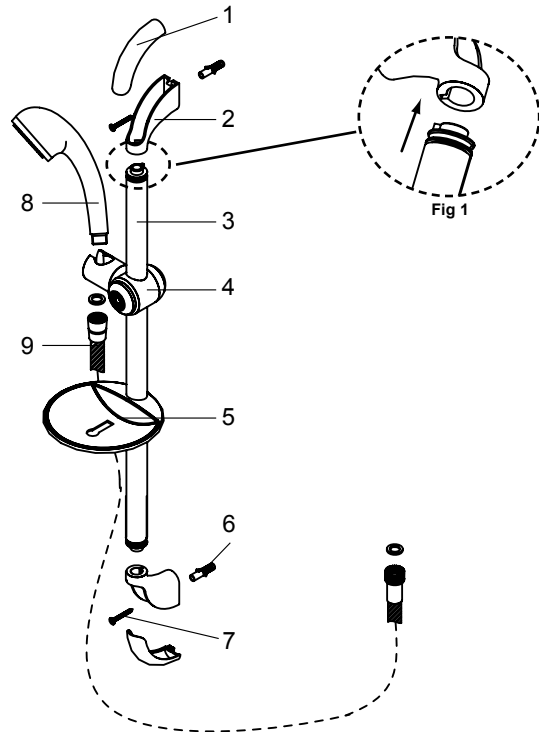
This product is Guaranteed to be free from faults arising from Manufacturing defects for a period of 2 Years from the date of purchase.

Retain proof of purchase.



# Fitting Instructions

## Shower Kit



### PARTS SUPPLIED

ITEM	DESCRIPTION	QTY
1	Holder Shell	2
2	Holder Body	2
3	Rail	1
4	Slider	1
5	Soap Dish ( If supplied)	1
6	Wall Plugs	2
7	Wall Screws	2
8	Handset	1
9	Shower Hose	1

### BEFORE YOU START

This product must be connected to water supply in accordance with the Water Supply (Water Fittings) Regulations 1999, and also to comply with UK Building Regulations. If you are in any doubt about these requirements, contact a qualified plumber, your local Water Company or the Water Regulations Advisory Service (WRAS).

- Identify all components and check pack contents.
- TURN OFF MAINS WATER SUPPLY. The mains stopcock is usually situated where the supply enters the building.
- It is also recommended that the water heating arrangements are turned off.
- Isolate the hot and cold water supply.

### INSTALLATION

- Remove the Holder Shell (1) from both Holder Body (2) assemblies.
- Place Holder Body (2) section on each end of the Rail (3). See Fig 1.
- Hold this assembly to the wall and mark drill holes on wall, ensure that the Shower Hose (9) will not be over extended when the Slider (4) is in its highest position.
- Once holes are drilled, insert Wall Plugs (6).
- Remove the Holder Body (2) to the Rail (3).
- Fit Soap Dish (5) to the Rail (3) If this product is supplied with a Soap Dish (5).
- Assemble the upper Holder Body (2) to the wall using the Wall Screws (7) provided. Then fit Rail (3) with lower Holder Body (2) to the wall using the Wall Screws (7) provided.
- Push Holder Shell (1) over the Holder Body (2).
- Insert washer to cone end of Shower Hose (9) provided in pack and connect to Handset (8) and tighten. DO NOT OVERTIGHTEN.
- Insert second washer into opposite end of Shower Hose (9) and connect to shower valve.

### AFTER CARE

To maintain the appearance of this fitting, ensure it is cleaned only using a clean soft damp cloth.

A solution of warm water and mild liquid detergent may be used where necessary and then rinsed thoroughly. Abrasive cleaners or acidic cleaners MUST NOT BE USED under any circumstances. Avoid contact with solvents.

Please retain these instructions for future reference.

Watersmith UK Ltd., BA22 8RT.

## **MANUFACTURER'S GUARANTEE**

This product is Guaranteed to be free from faults arising from Manufacturing defects for a period of 2 Years from the date of purchase.

Retain proof of purchase.