



Fitting Instructions

Manual Shower Valve

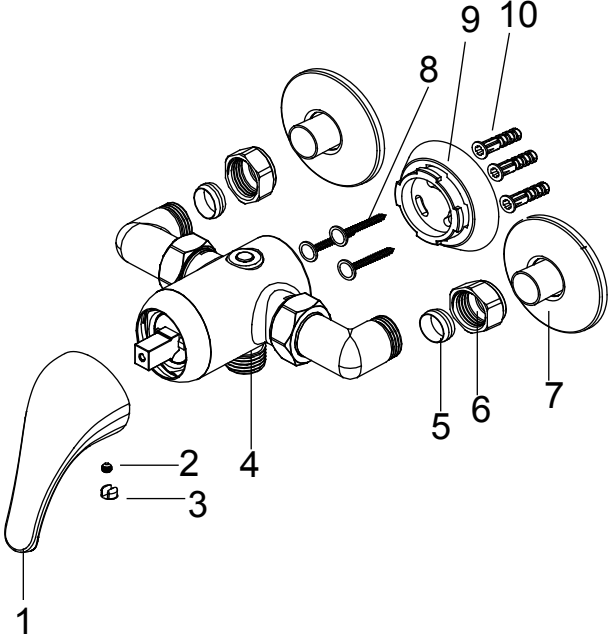


Shower Valves shown is for illustration purposes only.

PARTS SUPPLIED

ITEM	DESCRIPTION	QTY
1	Lever Handle	1
2	Grub Screw	1
3	Indice	1
4	Valve Body	1
5	Copper Ring	2
6	Nut	2
7	Flange	2
8	Wall Screws	3
9	Wall Mounting Plate	1
10	Wall Plugs	3
11	Wall Outlet	1
12	Flange	1
13	Wall Plate	1

EXPOSED INSTALLATION



BEFORE YOU START

This product must be connected to water supply in accordance with the Water Supply (Water Fittings) Regulations 1999, and also to comply with UK Building Regulations. If you are in any doubt about these requirements, contact a qualified plumber, your local Water Company or the Water Regulations Advisory Service (WRAS).

- a. Identify all components and check pack contents.
- b. TURN OFF WATER MAINS SUPPLY. The mains stopcock is usually situated where the supply enters the building.
- c. It is also recommended that the water heating arrangements are turned off.
- d. Isolate the hot and cold water supply.

SPECIFICATION

Operating Specification

Hot Water Supply- Max 65 °c

Recommended 50-65 °c

Operating Pressures

Min. 0.2 bar- Max. 5.0 bar

Operating pressures on both hot and cold lines should be as even as possible in order to ensure the maximum efficiency of the mixer.

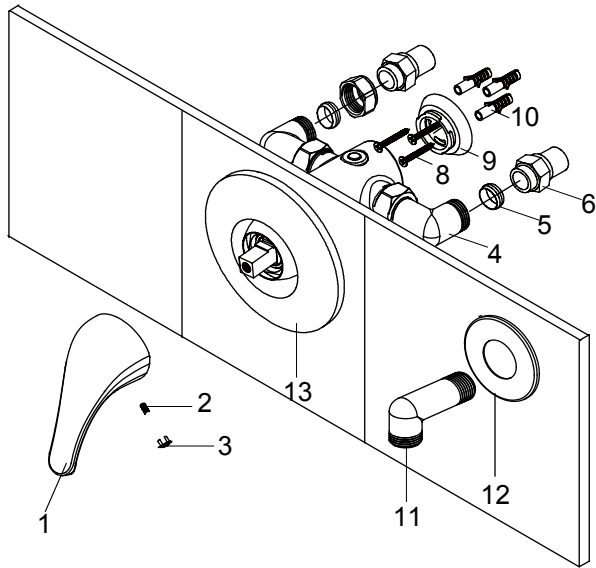
EXPOSED SHOWER VALVE INSTALLATION

IMPORTANT: before fitting the mixer, flush pipes thoroughly. Do not allow dirt, metal particles or shavings to block inlets. Once this is done, turn off water supply.

1. The Valve will normally ship with the water outlet to the bottom and the cold inlet to the right. This means that the Lever Handle will point downwards when shower is off. If you require the outlet from the top, do not simply turn the valve over. To change the outlet position:
 - a. Use an Allen key to unscrew the threaded outlet beneath the Valve Body.
 - b. With a sharp knife, remove the cap from the Valve Body plug (on top of unit).

- c. Remove plug with Allen Key. Place plug in outlet's previous position and vice versa.
 - d. Tighten.
2. Prepare hot and cold inlet pipes with centres 150mm apart, cold supply to the right. For water inlet pipes, leave a minimum of 10mm exposed.
 4. Centre Wall Mounting Plate (9) between pipe ends and mark drill holes.
 5. Drill holes and insert Wall Plugs (10).
 6. Position Wall Mounting Plate (9) on wall and insert Wall Screws (8) and tighten, but not fully.
 7. Push Valve Body (4) on to Wall Mounting Plate (9) and twist to engage lugs. It may require some manoeuvring to ensure vertical alignment of the Valve Body.
 8. Remove Valve Body (4) from Wall Mounting Plate(9) and re-align as marked. Then tighten Wall screws(8) holding Wall Mounting Plate(9) and refit Valve Body(4).
 9. Slide Flanges(7) over inlet pipe ends and close to the wall.
 10. Secure Valve body(4) to inlet pipe ends using Nuts(6) and Copper Rings(5).
 11. Turn on water supply and check for leaks.

CONCEALED INSTALLATION



CONCEALED SHOWER VALVE INSTALLATION

IMPORTANT: before fitting the mixer, flush pipes thoroughly. Do not allow dirt, metal particles or shavings to block inlets. Once this is done, turn off water supply.

1. The Valve will normally ship with the water outlet to the bottom and the cold inlet to the right (indicated by a blue dot). This means that the Lever Handle will point downwards when shower is off. If you require the outlet from the top, do not simply turn the valve over. To change the outlet position:
 - a. Use an Allen key to unscrew the threaded outlet beneath the Valve Body.
 - b. With a sharp knife, remove the cap from the Valve Body plug (on top of unit).
 - c. Remove plug with Allen Key. Place plug in outlet's previous position and vice versa.
 - d. Tighten.
2. Remove the Indice (3), loosen the Grub Screw (2) and then remove the Lever Handle (1).
3. Prepare hot and cold inlet pipes with centres 150mm apart, cold supply to the right. For the mixer, create a hole no greater than 115mm, which is the diameter of the Wall Plate (13). The valve concealing cavity should be a depth of 50-60mm. For water inlet pipes, leave a minimum of 10mm exposed.
4. Centre Wall Mounting Plate (11) between pipe ends and mark drill holes.
5. Drill holes and insert Wall Plugs (10).
6. Position Wall Mounting Plate(9) on wall and insert Wall Screws (8) and tighten, but not fully.
7. Push Valve Body (4) on to Wall Mounting Plate (9) and twist to engage lugs. It may require some manoeuvring to ensure vertical alignment of the Valve Body.
8. Mark position of Wall Plate (4) on mounting area. Remove Valve Body (4) from wall mounting plate and re-align as marked. Then tighten screws holding Wall Mounting Plate (9) and re-fit Valve Body(4).
9. Place the Wall Plate(13) over the Valve Body(4). Use sealant as necessary, but first check that Lever Handle(1) can operate without contacting Wall Plate. Place Lever Handle(1) loosely on installed Valve Body and check clearance.
10. Secure Valve Body(4) to inlet pipe ends using Nuts (6) and Copper Rings (5).
11. Place the Lever Handle(1) onto the Valve, to check that it moves freely left and right.
When satisfied, fit Grub Screw (2) and tighten with an Allen key.
12. Insert Indice(3) into Lever Handle.
13. Connect the Valve body(4) and Wall Outlet(11) by fittings(not supplied).
14. Slide Flange(12) over the Wall Outlet(11).

AFTER CARE

To maintain the appearance of this fitting, ensure it is cleaned only using a clean soft damp cloth.

A solution of warm water and mild liquid detergent may be used where necessary and then rinsed thoroughly. Abrasive cleaners or acidic cleaners **MUST NOT BE USED** under any circumstances. Avoid contact with solvents.

Please retain these instructions for future reference.

Watersmith UK Ltd., BA22 8RT.

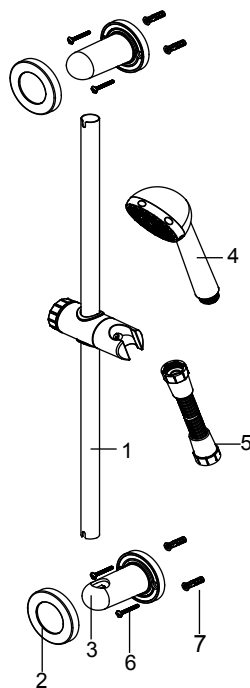
MANUFACTURER'S GUARANTEE

This Mixer is Guaranteed to be free from faults arising from Manufacturing defects for a period of 2 Years from the date of purchase. Retain proof of purchase.



Fitting Instructions

Shower Kit



PARTS SUPPLIED

ITEM	DESCRIPTION	QTY
1	Rail	1
2	Flange	2
3	Holder	2
4	Shower	1
5	Shower hose	1
6	Screw	4
7	Wall plug	4

BEFORE YOU START

This product must be connected to water supply in accordance with the Water Supply (Water Fittings) Regulations 1999, and also to comply with UK Building Regulations. If you are in any doubt about these requirements, contact a qualified plumber, your local Water Company or the Water Regulations Advisory Service (WRAS).

- Identify all components and check pack contents.
- TURN OFF WATER MAINS SUPPLY. The mains stopcock is usually situated where the supply enters the building.
- It is also recommended that the water heating arrangements are turned off.
- Isolate the hot and cold water supply.

INSTALLATION

- Remove the Holders (3) from Rail (1).
- Remove the Flanges (2) from Holders (3).
- Place a Holder (3) onto each end of Rail (1).
- Hold this assembly to the wall and mark drill holes on wall, ensure that the Shower Hose (8) will not be over extended when the Slider (3) is in its highest position.
- Once holes are drilled, insert Wall Plugs (7).
- Remove the Holders (3) from Rail (1).
- Put a Flange (1) over each Holder (3).
- Assemble the Holders (1) to the Rail (2) from top and bottom. Fit this Assembly to the wall and screw the Wall Screws (5).
- Push Flange (1) to the bottom.
- Connect hose to Handset (4) and fitting and tighten.
DO NOT OVERTIGHTEN.

AFTER CARE

To maintain the appearance of this fitting, ensure it is cleaned only using a clean soft damp cloth.

A solution of warm water and mild liquid detergent may be used where necessary and then rinsed thoroughly. Abrasive cleaners or acidic cleaners MUST NOT BE USED under any circumstances. Avoid contact with solvents.