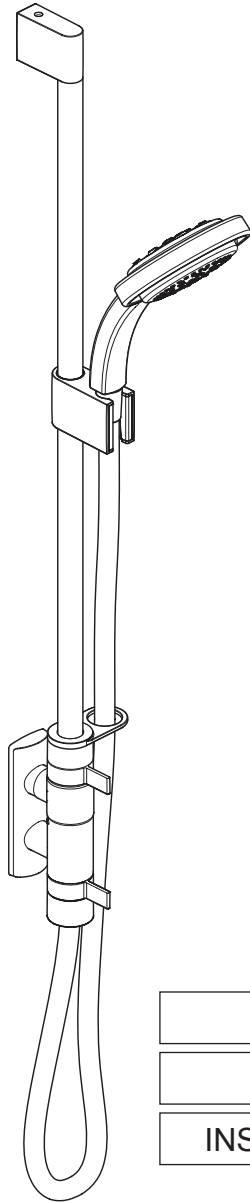


mira



MyLine



MIRA MYLINE

THERMOSTATIC MIXER

INSTALLATION & USER GUIDE

These instructions must be left with the user.

CONTENTS

Introduction	2
Guarantee	2
Patents and Design Registration	3
Safety Warnings	4
Pack Contents	5
Specifications	6
Pressures	6
Temperatures	6
Thermostatic Shut-down	6
Connections	6
Dimensions	6
Installation	7
Suitable Plumbing Systems	7
General	7
Flow Regulator	7
Installing the Thermostatic Mixer	8
Commissioning	10
Maximum Temperature Setting	10
Installing the Shower Fittings	11
Operation	13
Flow Control	13
Temperature Control	13
User Maintenance	15
Fault Diagnosis	15
Lubricants	15
Cleaning	15
Spray Plate Assembly	16
Cloud Spray Plate Assembly	16
Spare Parts	17
Accessories	19
Customer Service	20

INTRODUCTION

Thank you for purchasing a quality Mira product. To enjoy the full potential of your new product, please take time to read this guide thoroughly, having done so, keep it handy for future reference.

The Mira MyLine is a thermostatic mixer which has separate flow and temperature controls.

The Mira MyLine is an exposed valve with an integral sidebar and hose to a 360 Showerhead.

The thermostatic mixer incorporates a wax capsule temperature sensing unit, which provides an almost immediate response to changes in pressures or temperature of the incoming water supplies to maintain the selected temperature. An adjustable maximum temperature stop is provided which limits the temperature to a safe level. Inlet filters are fitted to protect the thermostatic mechanism.

Guarantee

For **domestic installations**, Mira Showers guarantee the Mira MyLine against any defect in materials or workmanship for a period of **five** years from the date of purchase and the shower fittings for **one** year.

For terms and conditions refer to the back cover of this guide.

If you experience any difficulty with the installation or operation of your new thermostatic mixer, please refer to '**Fault Diagnosis**', before contacting Mira Showers. Our contact details can be found on the back cover of this guide.

Recommended Usage

Application	Valve with Fittings
Domestic	✓
Light Commercial	✘
Heavy Commercial	✘
Healthcare	✘

Patents and Design Registration

Patents:
GB 2 340 210
GB 2 392 223
GB 2 422 886
European 1 672 257 (DE, FR, GB, IT, NL, SE)
Germany 60 2005 002 339.9

Patent Applications:
European 07015846.4
US - 2006 - 0124758 - A1
US - 2010 - 0123013 - A1
US - 2010 - 0219255 - A1

Design Registration:
GB 001240527 - 0001

SAFETY WARNINGS

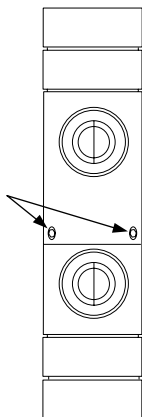
Mira thermostatic mixers are precision engineered and should give continued safe and controlled performance, provided:

1. They are installed, commissioned, operated and maintained in accordance with manufacturer's recommendations.
2. Periodic attention is given, when necessary, to maintain the product in good functional order.

Caution!

1. Read all of these instructions.
2. Retain this guide for later use.
3. Pass on this guide in the event of change of ownership of the installation site.
4. Follow all warnings, cautions and instructions contained in this guide.
5. Anyone who may have difficulty understanding or operating the controls of any shower should be attended whilst showering. Particular consideration should be given to the young, the elderly, the infirm or anyone inexperienced in the correct operation of the controls.
6. Rapid/Excessive movement of the flow and/or temperature control levers may result in momentary unstable blend temperatures.
7. Care is required when adjusting flow or temperature. Make sure that the temperature has stabilised.
8. Do not remove or tighten the body grubscrews.

9. Care must be taken when positioning the thermostatic mixer. Make sure that there is sufficient headroom and ceiling clearance to install the integral sidebar and Showerhead.
10. When this product has reached the end of its serviceable life, it should be disposed of in a safe manner, in accordance with current local authority recycling, or waste disposal policy.



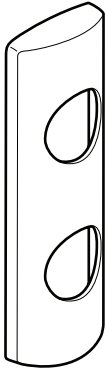
Caution! Do not remove or tighten these grubscrews.

PACK CONTENTS

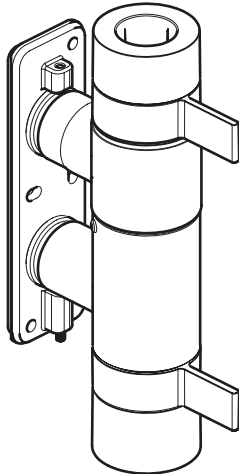
Tick the appropriate boxes to familiarise yourself with the part names and to confirm that all of the parts are included.

Mira MyLine Mixer

1 x Concealing Plate



1 x Thermostatic Mixer
(supplied fitted to the backplate)



1 x M4 x 12 mm Grubscrew

2 x Olives

4 x Wall Plugs

4 x Fixing Screws

1 x 2 mm Hexagonal Key

Mira MyLine Shower Fittings

1 x Wall Plugs

1 x Wall Bracket

1 x Securing Screw

1 x Fixing Screw

1 x Slidebar Support

1 x Clamp Bracket

1 x 360m Showerhead

1 x Slide Bar

1 x Shower Hose
1.25 m Chrome
(supplied with 2x Sealing Washers)

1 x Hose Retaining Ring

1 x 3 mm Hexagonal Key

Documentation

1 x Guarantee Registration Document

SPECIFICATIONS

Pressures

- Max Static Pressure: **10 Bar**.
- Max Maintained Pressure: **5 Bar**.
- Min Maintained Pressure (Gravity System): **0.1 Bar** (0.1 bar = 1 Metre head from cold tank base to showerhead outlet).

Note! For gravity fed / other low pressure systems (0.5 bar or below) remove the outlet flow regulator. Refer to section: '**Installation, Flow Regulator**'.

- For optimum performance supplies should be nominally equal.

Temperatures

- Factory Pre-set (Blend) Shower: **43°C**.
- Optimum Thermostatic Control Range: **35°C to 43°C** (achieved with supplies of 15°C cold, 65°C hot and nominally equal pressures).
- Recommended Hot Supply: **60°C to 65°C**
Note! The mixing valve can operate at higher temperatures for short periods without damage, however this could detrimentally affect thermostatic performance. For safety and performance reasons it is recommended that the maximum hot water temperature is limited to 65°C.
- Cold Water Range: up to **25°C**.
- Minimum Recommended Differential between Hot Supply and Outlet Temperature: **12°C**.

Thermostatic Shut-down

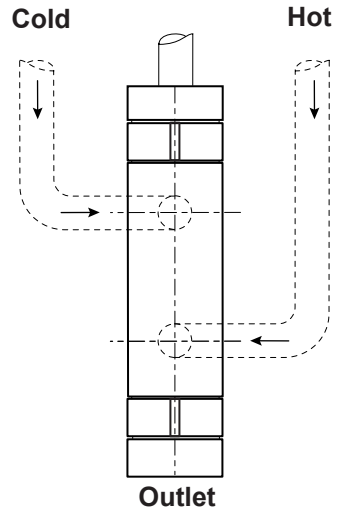
- For safety and comfort the thermostat will shut off the mixing valve **within 2 Seconds** if either supply fails (achieved only if the blend temperature has a minimum differential of 12°C from either supply temperature).

Connections

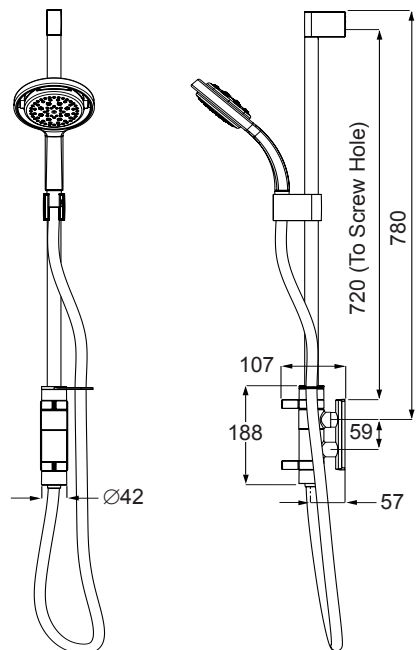
The thermostatic mixer can only be installed with rear supply inlets and the supply pipework must be connected as follows:

- Cold: Top (side nearest temperature control), 15 mm compression.
- Hot: Bottom (side nearest flow control), 15 mm compression.
- Outlet: 15 mm flat face to hose.

Note! This product does not allow for reversed inlets and will deliver unstable temperatures if fitted incorrectly.



Dimensions



All dimensions in mm

INSTALLATION

Suitable Plumbing Systems

Gravity Fed:

The thermostatic mixer must be fed from a cold water cistern (usually fitted in the loft space) and a hot water cylinder (usually fitted in the airing cupboard) providing nominally equal pressures.

Mains Pressurised Instantaneous Hot Water System (Combination Boiler):

The thermostatic mixer can be installed with systems of this type with balanced pressures. (Recommended Minimum Maintained Pressure: **1.0 Bar**).

Unvented Mains Pressure System:

The thermostatic mixer can be installed with an unvented, stored hot water system.

Pumped System:

The thermostatic mixer can be installed with an inlet pump (twin impeller). The pump must be installed in a suitable location and in accordance with its instructions.

General

Installation must be carried out in accordance with these instructions, and must be conducted by designated, qualified and competent personnel. The installation must comply with the "Water Supply Regulations 1999 (Water Fittings)" or any particular regulations and practices, specified by the local water company or water undertakers.

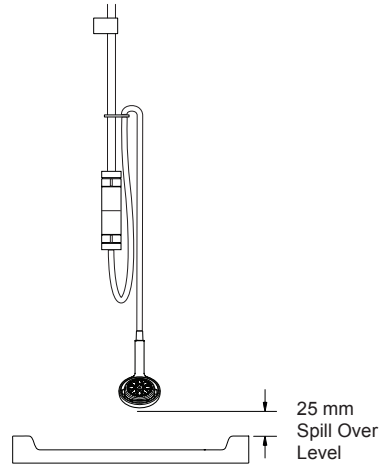
Note! Make sure that all site requirements correspond to the information given in section: '**Specifications**'.

1. The Mixer must not be installed in an area where it may freeze.
2. For stud partitions alternative fixings may be required.
3. Isolating valves must be installed close to the Mixer for ease of maintenance.
4. Pipework must be rigidly supported and avoid any strain on the connections.
5. Pipework dead-legs should be kept to a minimum.

6. Decide on a suitable position for the Mixer, make sure that there is sufficient headroom and ceiling clearance to install the integral slidebar rail and Showerhead.

The position of the Mixer and the Shower Fittings must provide a minimum gap of 25 mm between the spill-over level of the shower tray/bath and the showerhead (refer to illustration). This is to prevent back-siphonage.

Note! Only use Shower Fittings recommended by the manufacturer or supplier.



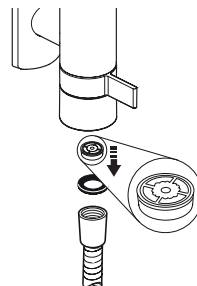
Flow Regulator

Site conditions will determine the flow regulator requirements.

For gravity fed / other low pressure systems (0.5 bar or below) remove the outlet flow regulator.

Flow regulators are supplied with this product and should be fitted in High Pressure systems to either;

1. Reduce Excessive Force and Flow Rate
2. Reduce Noise through the mixer due to high or unequal pressures
3. Stabilise incoming supply temperatures



Installing the Thermostatic Mixer

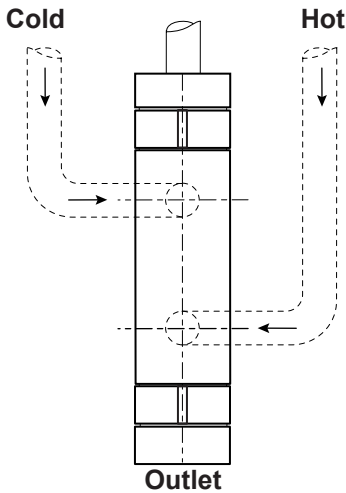
1. The thermostatic mixer must be fitted vertically as illustrated and can only be installed with rear supply inlets. The supply pipework **must** be connected as follows:

- Cold to Top Inlet
- Hot to Bottom Inlet
- Bottom Outlet.

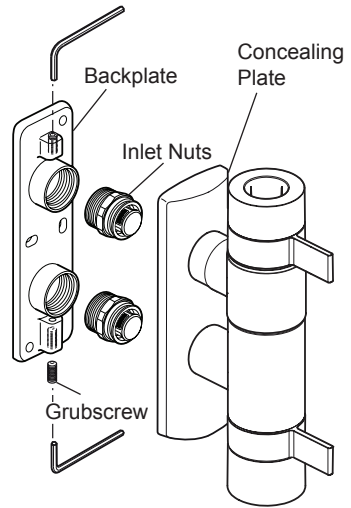
Important! This product does not allow for reversed inlets.

2. Determine the route for the hot and cold supply pipework.

Important! Make sure that there is sufficient headroom and ceiling clearance to install the integral sidebar.



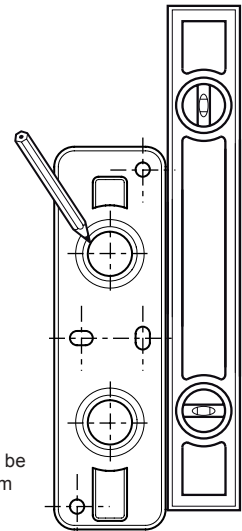
3. Loosen the 2 backplate grubscrews with the 2 mm hexagonal key (supplied) and pull the mixer and concealing plate from the backplate.
4. Unscrew the inlet nuts from the backplate.



5. Using the backplate as a guide, mark the positions of the fixing holes and the pipe centres.

Important! Make sure that there is sufficient headroom and ceiling clearance to install the integral sidebar.

Note! Make sure that the backplate is the correct way up (refer to illustration).



Large boss **must** be fitted at the bottom

6. For solid walls drill the fixing holes for the backplate with a 6 mm drill and insert the wall plugs (supplied). For other types of wall structure alternative fixings may be required (not supplied).

7. Drill the holes for the supply pipes and fit the supply pipework:

Cold to Top Inlet, Hot to Bottom Inlet

Note! The inlet pipework should extend between 12 and 18 mm from the finished wall surface.

Caution! Make sure that the pipework is not damaged otherwise the olives will not seal.

8. Fit the backplate over the inlet pipes and secure to the wall using the fixing screws (supplied).

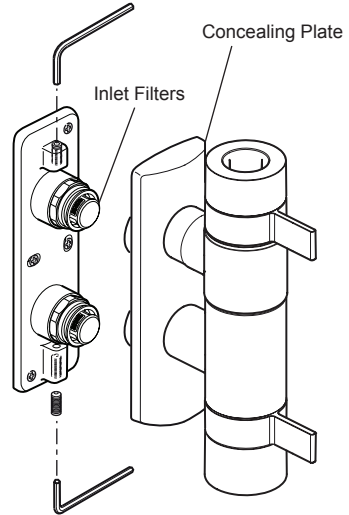
9. **Caution! It is essential at this point that the supply pipework is thoroughly flushed through before connection to the mixer.** Failure to do so may result in product malfunction and will not be covered under the guarantee.

10. Fit the olives onto the inlet pipework and tighten the inlet nuts using a suitable spanner.

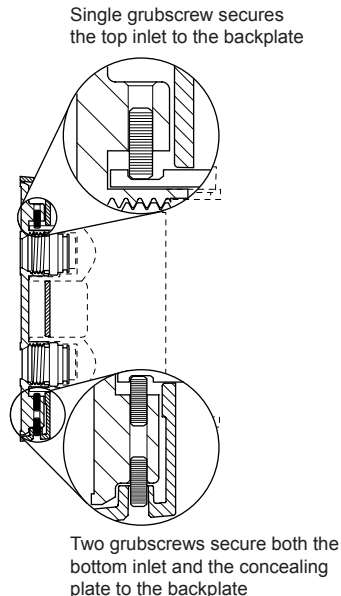
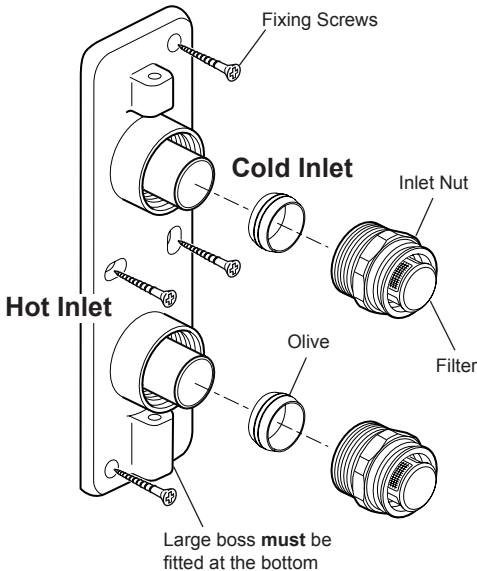
Caution! Do not overtighten.

Important! Make sure that the inlet filters are fitted in the inlet nuts as illustrated.

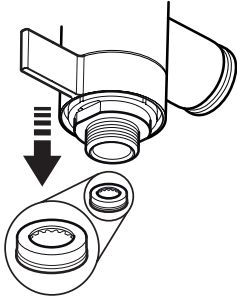
11. Make sure that the concealing plate (with the hole at the bottom) is loosely fitted over the mixing valve inlets and align the mixer with the inlet nuts. Push on fully and tighten the grub screws to secure the mixer to the backplate. Make sure that the grub screws are engaged fully in the valve body grooves.



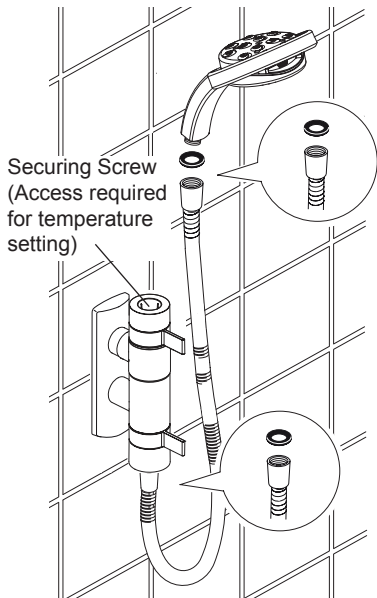
12. Push the concealing plate onto the backplate, secure with the M4 x 12 mm grub screw.



- 13. Important!** A 12 litre/minute flow regulator is fitted inside the outlet. This can be removed for gravity fed / other low pressure systems (0.5 bar or below).



- 14.** Temporarily install the hose and showerhead and commission the mixing valve.
Note! The mixing valve must be Commissioned before the final installation of the shower fittings.



Note! Ensure the sealing washers are installed into the hose.

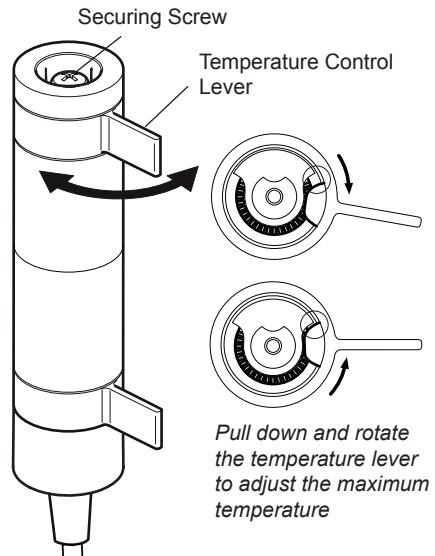
COMMISSIONING

Maximum Temperature Setting

Before using the shower the maximum temperature must be checked to make sure that it is at a safe level. It has been preset to approximately 43°C at the factory but due to variations in site conditions the maximum temperature may need adjustment.

Note! Make sure that the hot water temperature is at least 55°C and that there is sufficient supply.

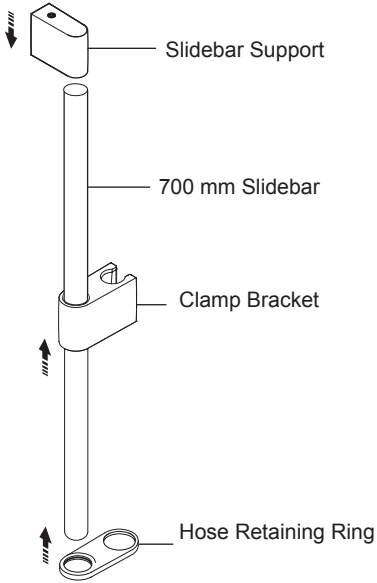
1. Turn on the mixer to the maximum temperature (i.e. fully clockwise) and full flow, and allow the temperature to stabilise.
2. Test that the temperature of the water from the shower outlet is hot enough.
If the temperature is too hot or too cold adjust as follows:
3. Loosen the securing screw (do not remove fully) and lift up the temperature lever to disengage from the control gear.
4. Rotate the temperature lever anti-clockwise (one serration), re-engage with the control gear and return to the maximum temperature stop. Check the temperature, if it is still not hot enough repeat the procedure.
5. Once the maximum temperature is satisfactory, tighten the securing screw.



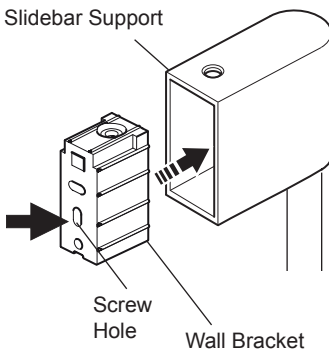
6. After commissioning of the mixing valve is complete, remove the showerhead.

Installing the Shower Fittings

1. Install the hose retaining ring, clamp bracket and the sidebar support onto the sidebar.
Note! Some components may already be pre-assembled.



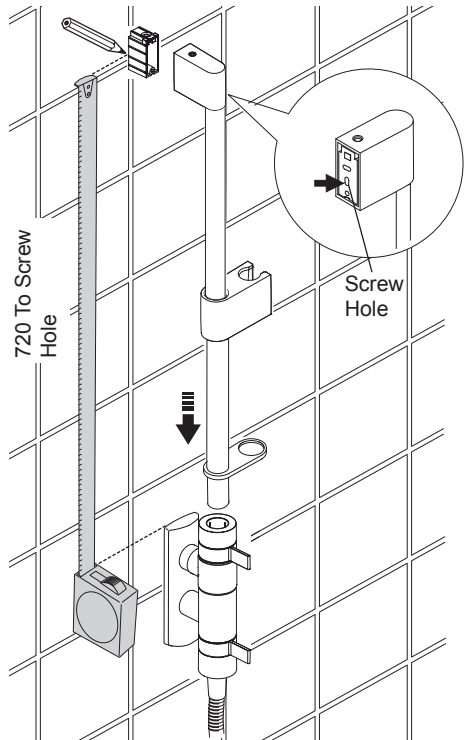
2. Temporary install the wall bracket into the sidebar support.
Note! Use the wall bracket as a guide to mark the position of the screw hole.



3. Temporary install the sidebar assembly into the thermostatic mixing valve.
4. Using the wall bracket as a guide, mark the position of the bottom fixing hole for the wall bracket.

Note! The distance from the top of the concealing plate to the screw hole on the wall bracket is 720 mm.

Note! Use a spirit level to make sure that the wall bracket is vertical.



5. After marking the position for the wall bracket remove the sidebar assembly from the thermostatic mixing valve.
6. Drill one $\text{Ø}8$ mm fixing hole for the wall brackets at 720 mm from the top of the concealing plate, and insert the wall plug.

7. Install the wall bracket and fully tighten the fixing screw.

Note! The slot in the wall bracket allow for minor adjustment.

8. Install the sidebar assembly into the thermostatic mixing valve.

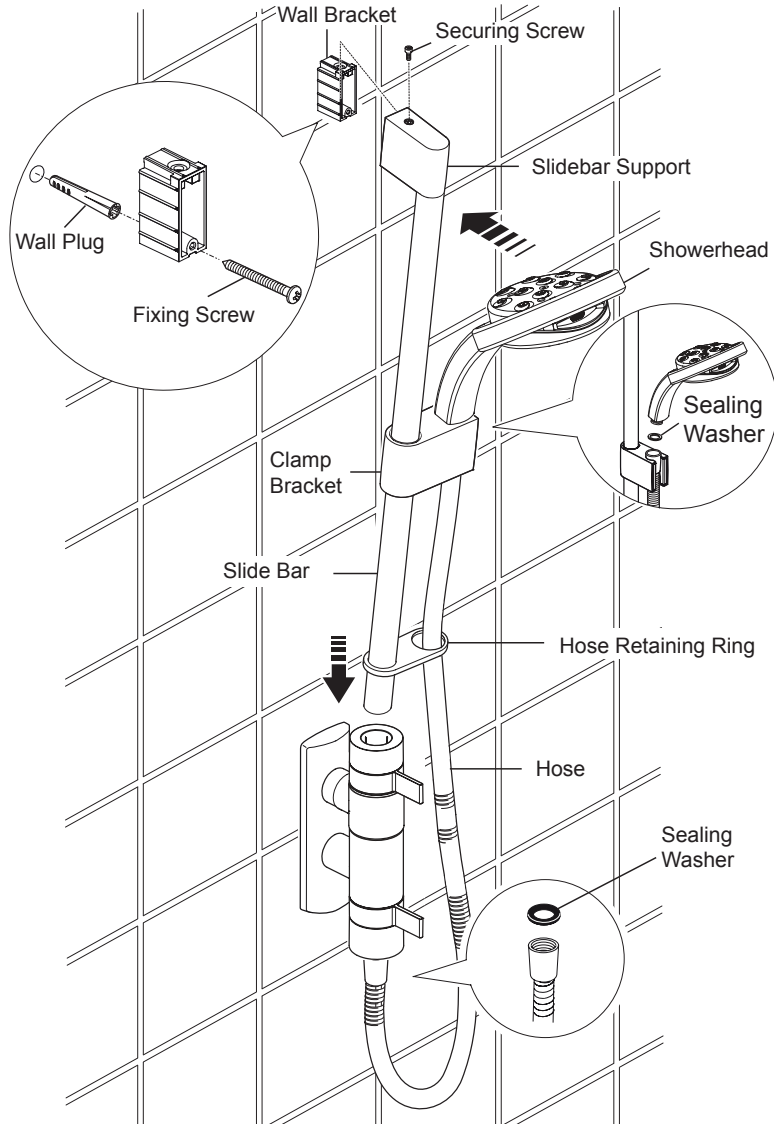
9. Position the sidebar support over the wall bracket and secure with the securing screw as indicated.

10. Pass it through the hose retaining ring and install the showerhead onto the hose.

Note! Ensure that the sealing washers are installed into the hose.

11. Place the showerhead onto the clamp bracket.

12. Turn on the water and check for any leaks.



OPERATION

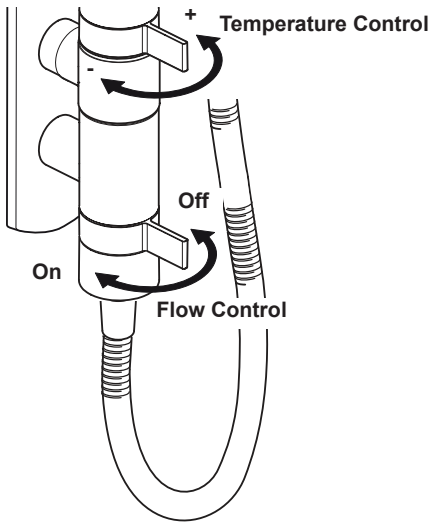
Flow Control

Turn the flow lever anticlockwise to the maximum flow.

Note! This shower is intended to be used with the flow control fully open. If excessive water flow is experienced at the Showerhead then the flow regulator should be fitted.

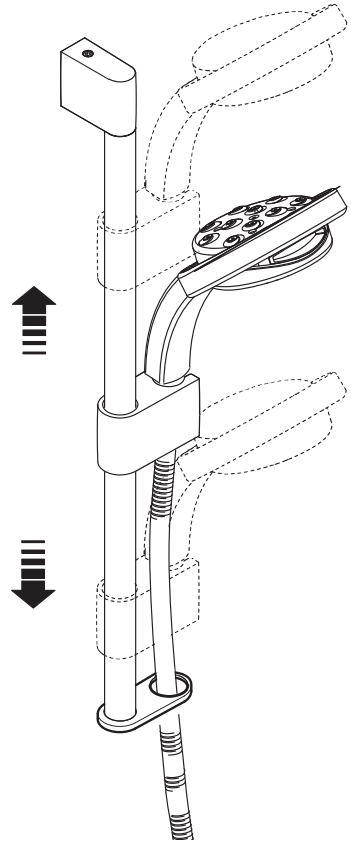
Temperature Control

Turn the temperature control lever anticlockwise to decrease the temperature and clockwise to the preset maximum temperature



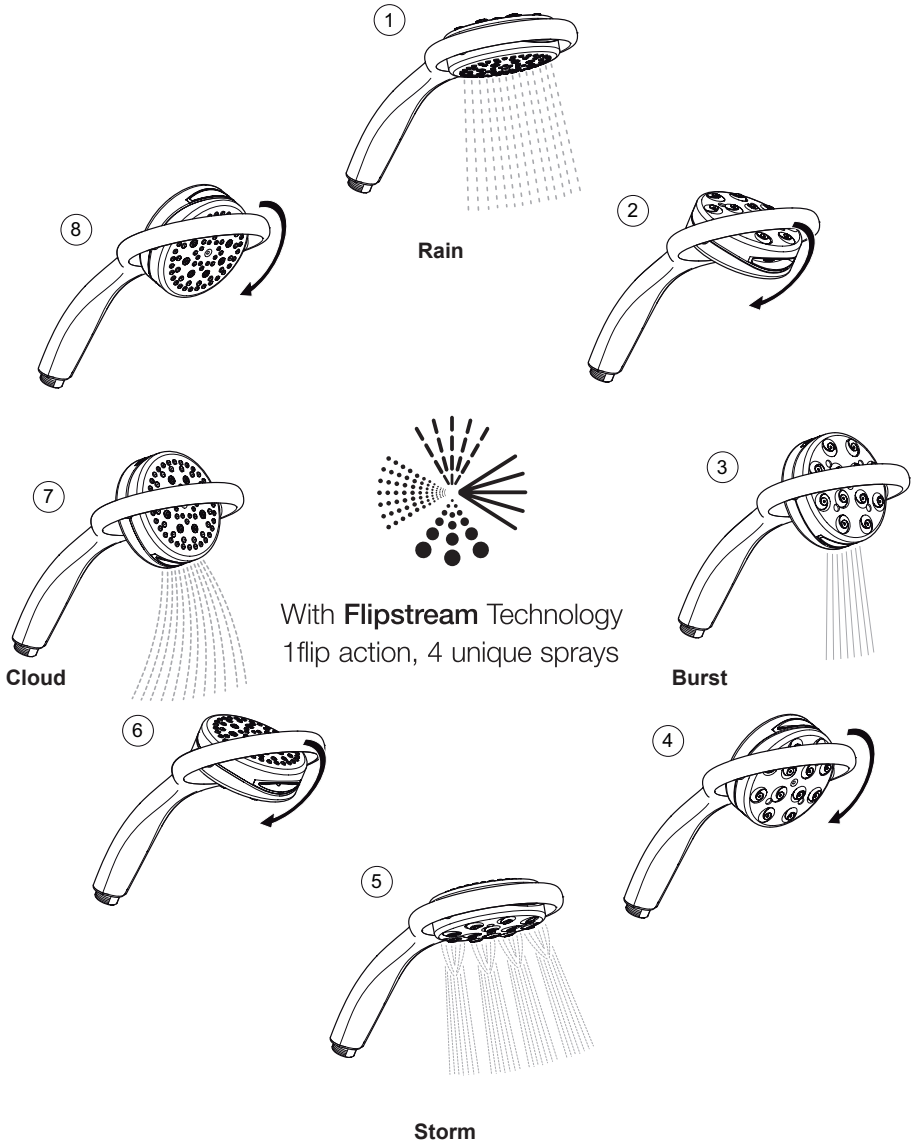
Height Adjustment

The height of the showerhead is easily adjusted by gently moving the clamp bracket either up or down the slide bar until the required height is achieved.



Changing the Spray Setting

The 360 Showerhead has four different spray actions:- Rain, Cloud, Storm and Burst. The showerhead features a rotating head to enable differing spray patterns to be achieved, turn the showerhead in the direction shown to activate the different spray patterns.



USER MAINTENANCE

If you require a Mira trained service engineer or agent, refer to section: '**Customer Services**'.

Fault Diagnosis

Symptom:

- Only hot or cold water from the mixer outlet.
- Outlet temperature too hot / too cold.

Cause Rectification:

- Inlets reversed (hot supply to cold supply). Rework inlet pipework.
- No hot water reaching mixer.
- Check the filters for any blockage.
- Installation conditions outside operating parameters, refer to sections: '**Specifications**' and '**Commissioning**'.
- If the temperature is too cold and you have a combination type boiler it may not be producing sufficiently hot water at desired flow rate (refer to '**Specifications**'). Fit flow regulator (supplied) to shower valve outlet. For more information contact Mira Showers or visit the website.

Symptom:

- Fluctuating or reduced flow rate.

Cause Rectification:

- Check the showerhead, hose and filters for any blockage.
- Make sure that the maintained inlet pressures are nominally balanced and sufficient, refer to section: '**Specifications**'.
- Make sure that the inlet temperature differentials are sufficient, refer to section: '**Specifications**'.
- Flow regulator fitted incorrectly.
- Air lock or partial blockage in the pipework.

Symptom:

- Water leaking from showerhead.

Cause Rectification:

- Normal for a short period after shut off.
- Check that the pressures are not in excess of the specifications for the product.
- Renew the mixer valve assembly.

Lubricants

Silicone based lubricants must only be used on the rubber seals.

Caution! Oil based or other lubricant types may cause rapid deterioration of seals.

Cleaning

The chrome plated parts should be cleaned using a mild washing up detergent or soap solution, rinsed and then wiped dry with a soft cloth.

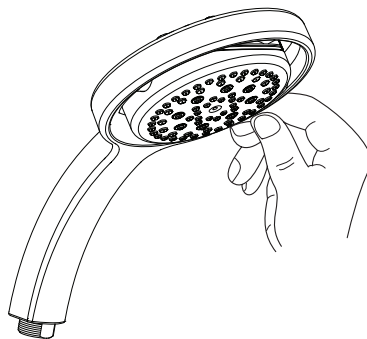
Warning! Many household cleaners contain abrasive and chemical substances, and should not be used for cleaning plated or plastic fittings. These finishes should be cleaned with a mild washing up detergent or soap solution, and then wiped dry using a soft cloth.

Use your thumb or a soft cloth to wipe any limescale from the soft nozzles and the front surface of the showerhead spray plate.

Do not use descalents on this product.

Spray Plate

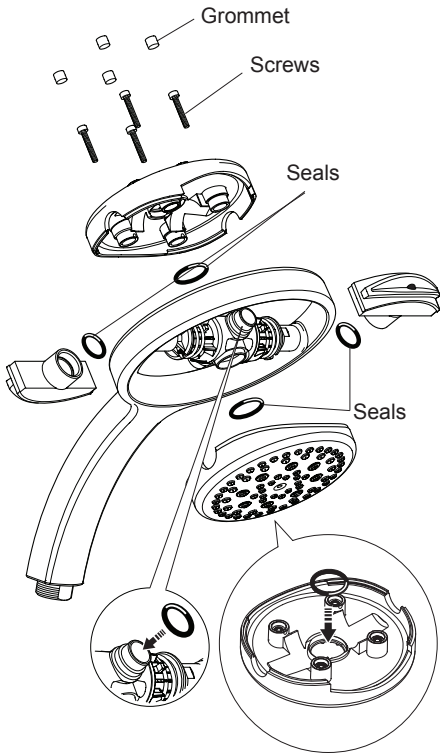
1. Use your thumb or a soft cloth to wipe any limescale from the soft rubber nozzles and the front face of the spray plate assembly **Important!** The sprayplate must be regularly cleaned to make sure that the showerhead does not become blocked.



Use your thumb or a soft cloth to wipe any limescale from the soft nozzles

Spray Plate Assembly

1. Use a suitable tool to remove the grommets.
2. Using the 2.5 mm hexagonal wrench (supplied), remove the screws.
3. Separate the sprayplate assembly into its individual components.
4. Clean or replace components as necessary.
Note! Make sure that the seals are located correctly.
5. Reassemble the components in reverse order.



Replacing the Sprayplate or Seals

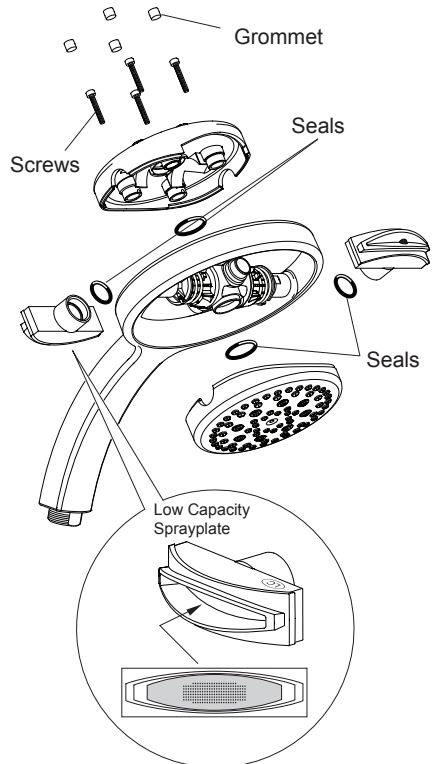
Cloud Spray Plate Assembly

This product is supplied configured for the majority of showering systems including electric showers.

Note! for showers with a pressure of below 0.15 bar (1.5 metre head) it might be necessary to change the Cloud sprayplate assembly for the LC (Low Capacity) version in order to achieve a suitable spray pattern.

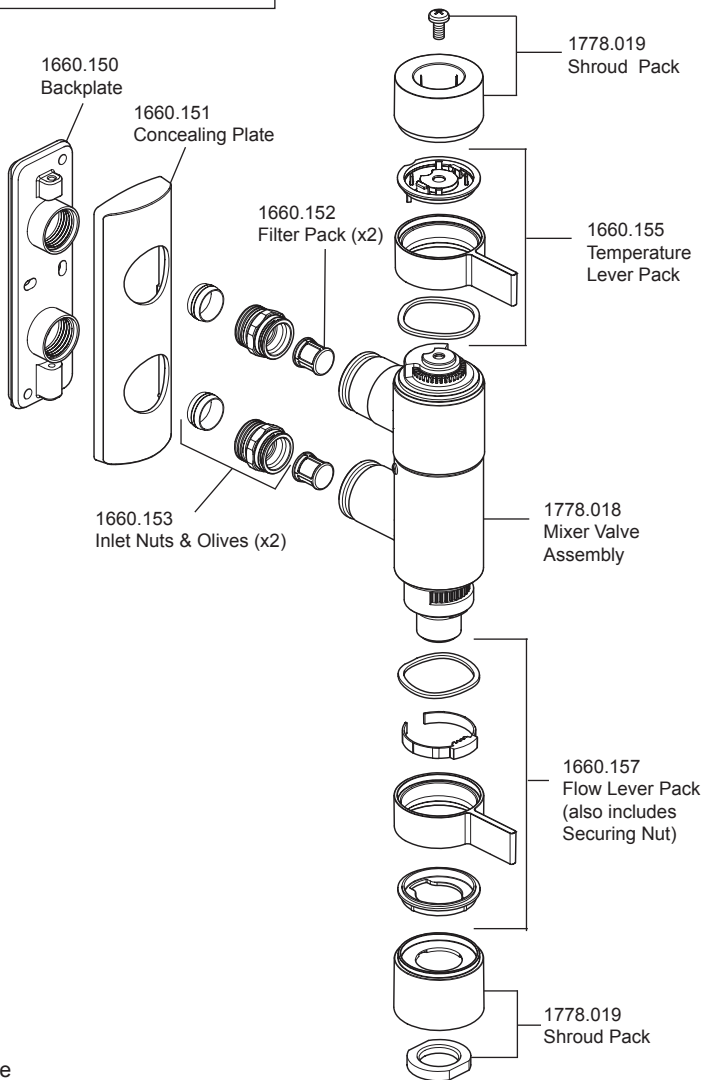
Caution! The LC sprayplate **must** not be used on electric showers

1. Use a suitable tool to remove the grommets.
2. Using the 2.5 mm hexagonal wrench (supplied), remove the screws.
3. Separate the sprayplate assembly into its individual components.
4. Replace the Cloud assembly sprayplate with the LC version.
5. Reassemble the components in reverse order.



Replacing the Cloud Sprayplate Assembly

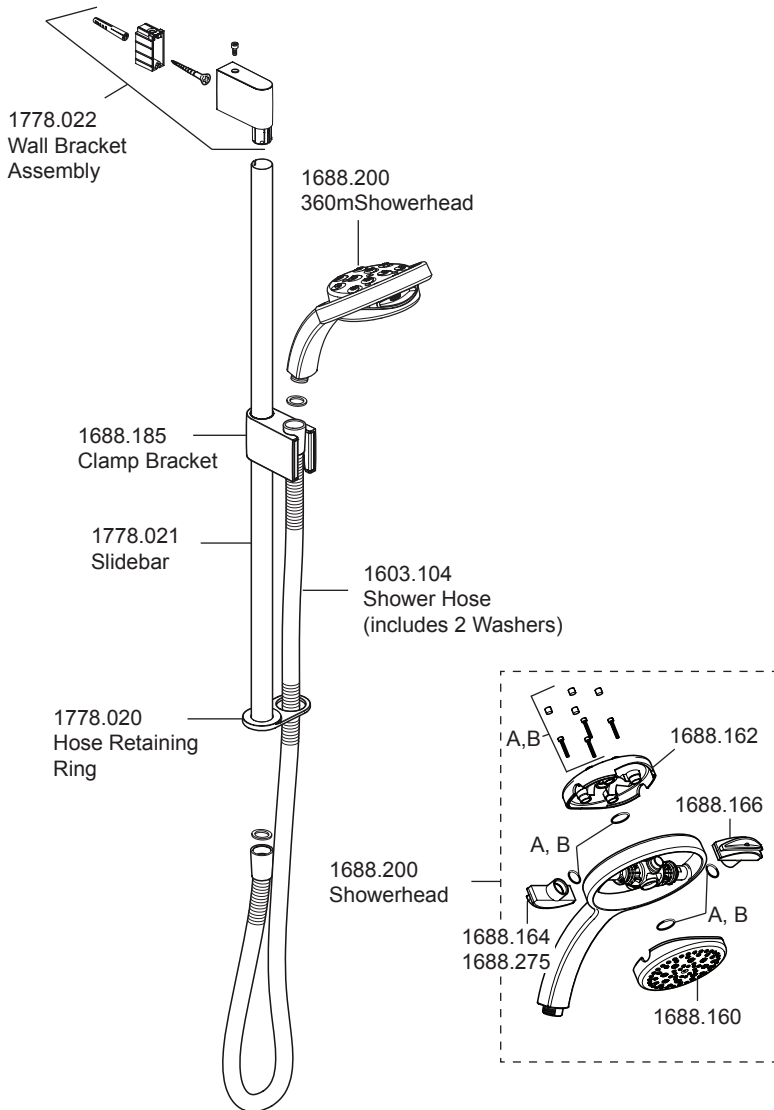
SPARE PARTS



- 1660.150 Backplate
- 1660.151 Concealing Plate
- 1660.152 Filter Pack
- 1660.153 Inlet Nuts and Olive
- 1660.155 Temperature Lever Pack (Top)
- 1660.157 Flow Lever Pack (Bottom)
- 1778.018 Mixer Valve Assembly
- 1778.019 Shroud Pack

Not illustrated:

- 1660.159 Screw Pack
- 1660.175 Seal Pack
- 1663.265 Flow Regulator Pack



- 1603.104 Shower Hose
- 1688.160 Rain Assembly - White
- 1688.162 Storm Assembly - White
- 1688.164 Cloud Assembly - White
- 1688.166 Burst Assembly - White
- 1688.168 Seal & Screw Pack - Components Identified 'A'
- 1688.184 Seal & Screw Pack - Components Identified 'B'
- 1688.185 Clamp Bracket
- 1688.200 360m Showerhead
- 1688.275 Cloud Assembly - LC (Low Capacity) - White
- 1778.020 Hose Retaining Ring
- 1778.021 Slidebar
- 1778.022 Wall Bracket Assembly

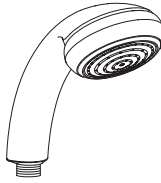
ACCESSORIES

Genuine Mira accessories can be purchased direct from Customers Services (our contact details can be found on the back cover of this guide) or from approved stockists or merchants.



Eco Showerhead
 White - 2.1668.001
 Chrome - 2.1668.002

The Eco shower head gives you an invigorating shower, but reduces water consumption and heating costs.



Everclear Showerhead
 White - 2.1616.030
 Chrome - 2.1616.031

Mira's new Everclear range has been specially designed for hard water areas and reduces the risk of lime scale build up.



Wall Mounted Soap Dish
 White - 1.1540.278
 Chrome - 1.1540.279

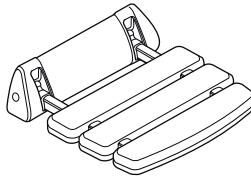
Wall mounted for use anywhere in, or outside the showering area.



Mira Standard Grab Bars
 300 mm - 2.1605.070
 450 mm - 2.1605.071
 600 mm - 2.1605.072

Premium grade, highly polished, stainless steel grab bars.

Note! Must be installed onto a solid wall.



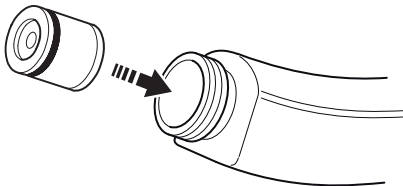
Shower Seat
 White - 2.1536.128
 White/Chrome - 2.1536.129

For use in or out of the showering area. Folds up when not in use. Maximum User Weight - 127 kg (20 stone) **Note!** Must be installed onto a solid wall.



Premium Shower Seat
 White/Chrome - 2.1731.001
 Grey/Chrome - 2.1731.002

Stylish, slim-line and robust shower seat for use in or outside of the shower area. Folds up when not in use. Maximum User Weight - 150 kg (23.5 stone) **Note!** Must be installed onto a solid wall.



Checkvalve (360m and 360r) - 1688.282

CUSTOMER SERVICE

Guarantee

Your product has the benefit of our manufacturer's guarantee which starts from the date of purchase.

To activate this guarantee, please return your completed registration card, visit our website or free phone 0800 0731248 within 30 days of purchase (UK only).

Within the guarantee period we will resolve defects in materials or workmanship, free of charge, by repairing or replacing parts or product as we may choose.

If you have not previously activated the guarantee, you will be required to do so prior to the provision of assistance. If you do not activate your guarantee our Engineer will be entitled to charge full payment for the visit (Call out fee plus parts).

This guarantee is in addition to your statutory rights and is subject to the following conditions:

- The product must be installed and maintained in accordance with the instructions given in this user guide.
- Servicing must only be undertaken by us or our appointed representative. **Note!** if a service visit is required the product must be fully installed and connected to services.
- Repair under this guarantee does not extend the original expiry date. The guarantee on any replacement parts or product ends at the original expiry date.
- For shower fittings or consumable items we reserve the right to supply replacement parts only.

The guarantee does not cover:

- Call out charges for non product faults (such as damage or performance issues arising from incorrect installation, improper use, lack of maintenance, build up of limescale, frost damage, corrosion, system debris or blocked filters) or where no fault has been found with the product.
- Water or electrical supply, waste and isolation issues.
- Compensation for loss of use of the product or consequential loss of any kind.
- Damage or defects caused if the product is repaired or modified by persons not authorised by us or our appointed representative.
- Routine maintenance or replacement parts to comply with the requirements of the TMV 2 or TMV 3 healthcare schemes.

What to do if something goes wrong

If your product does not function correctly when you first use it, contact your installer to check that it is installed and commissioned in accordance with the instructions in this manual. Should this not resolve the issue, contact our Customer Services Team who will offer you or your installer advice and if applicable arrange for a Service Technician to call. If the performance of your product declines, check in this manual to see if simple home maintenance is required. If you require further assistance call our Customer Services Team.

Extended Guarantees

A selection of protection plans are available that enable you to cover repair bills for the life of your policy (excludes Eire). Ring 01922 471763 for more details.

Helpdesk Service

Our dedicated Customer Services Team is comprehensively trained and can offer help and advice, spare parts, accessories or a service visit. We will need you to have your model name or number, power rating (if applicable) and date of purchase. As part of our quality and training programme calls may be recorded or monitored.

Mira Showers Website (www.mirashowers.co.uk)

From our website you can register your guarantee, download additional user guides, diagnose faults, purchase our full range of accessories and popular spares, refer to our FAQ's and request a service visit.

Spares and Accessories

We maintain extensive stocks of genuine spares and accessories and aim to provide support throughout the product's expected life. Payment can be made by phone at time of order using most major Credit or Debit cards and we aim to despatch orders within two working days. Items purchased from us are guaranteed for 12 months from date of purchase. For safety reasons spares exposed to mains voltages should only be fitted by competent persons.

Returns – items can be returned within one month of date of purchase, providing that they are in good condition and the packaging is unopened. Please obtain authorisation from our Customer Services Team before return. We reserve the right to apply a 15% restocking charge.

Service / Repairs

We have a nationwide team of Service Technicians who can carry out all service or repair work to your product within the guarantee period and beyond. You have the assurance of a fully trained Mira Technician, genuine Mira spare parts and a 12 month guarantee on any chargeable work done.

Payment should be made directly to the Service Technician who will accept most major Credit or Debit cards.

To Contact Us

UK

Telephone: 0844 571 5000

www.mirashowers.co.uk

E-mail: technical@mirashowers.com

Fax: 01242 282595

By Post: Mira Customer Services Dept, Cromwell Road, Cheltenham, Gloucestershire, GL52 5EP

Eire

Telephone: 01 459 1344

E-mail: sales@modernplant.ie

Fax: Dublin 01 459 2329

By Post: Modern Plant Ltd (Dublin), Otter House, Naas Road, Clondalkin, Dublin 22

Mira is a registered trade mark of
Kohler Mira Limited.

The company reserves the right to alter
product specifications without notice.



mira
SHOWERS