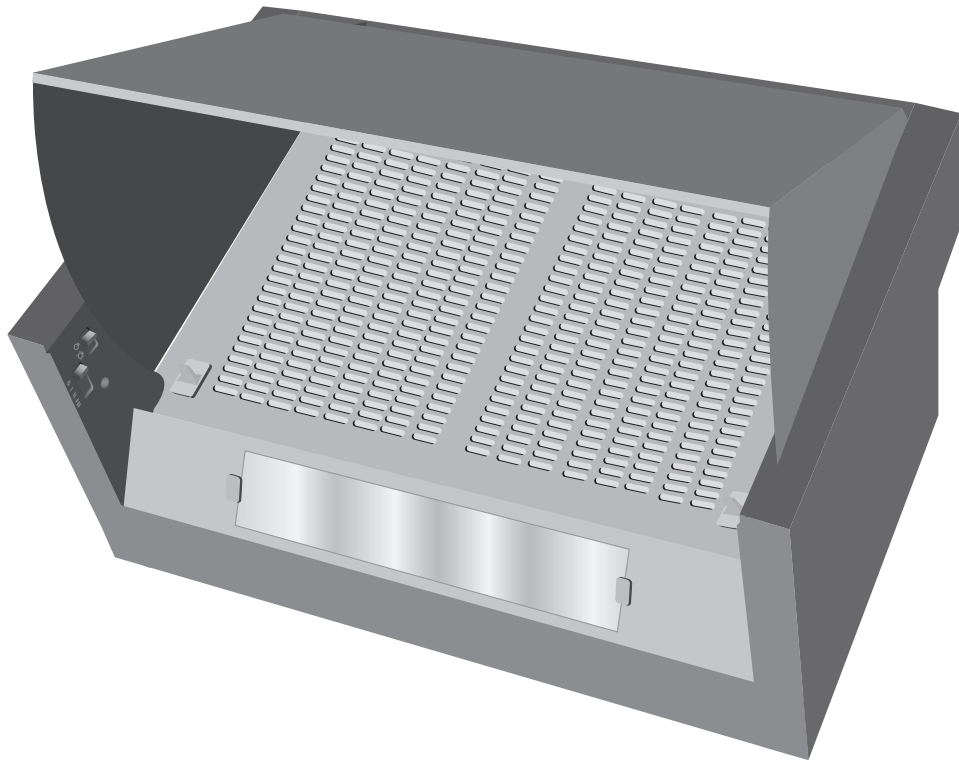


**INSTALLATION AND USER'S MANUAL**  
**60cm Integrated Hood**  
**I-4060-NP**



## Contents.

Environmental Notes  
Safety Instructions  
Dimensions  
Electrical Requirements / Installation  
Installation continued / Fitting the Décor Panel  
Extraction or Recirculation Mode  
Accessories  
Using Your Cooker Hood / Technical Data  
Maintenance & Troubleshooting

---

### **.ENVIRONMENTAL PROTECTION**



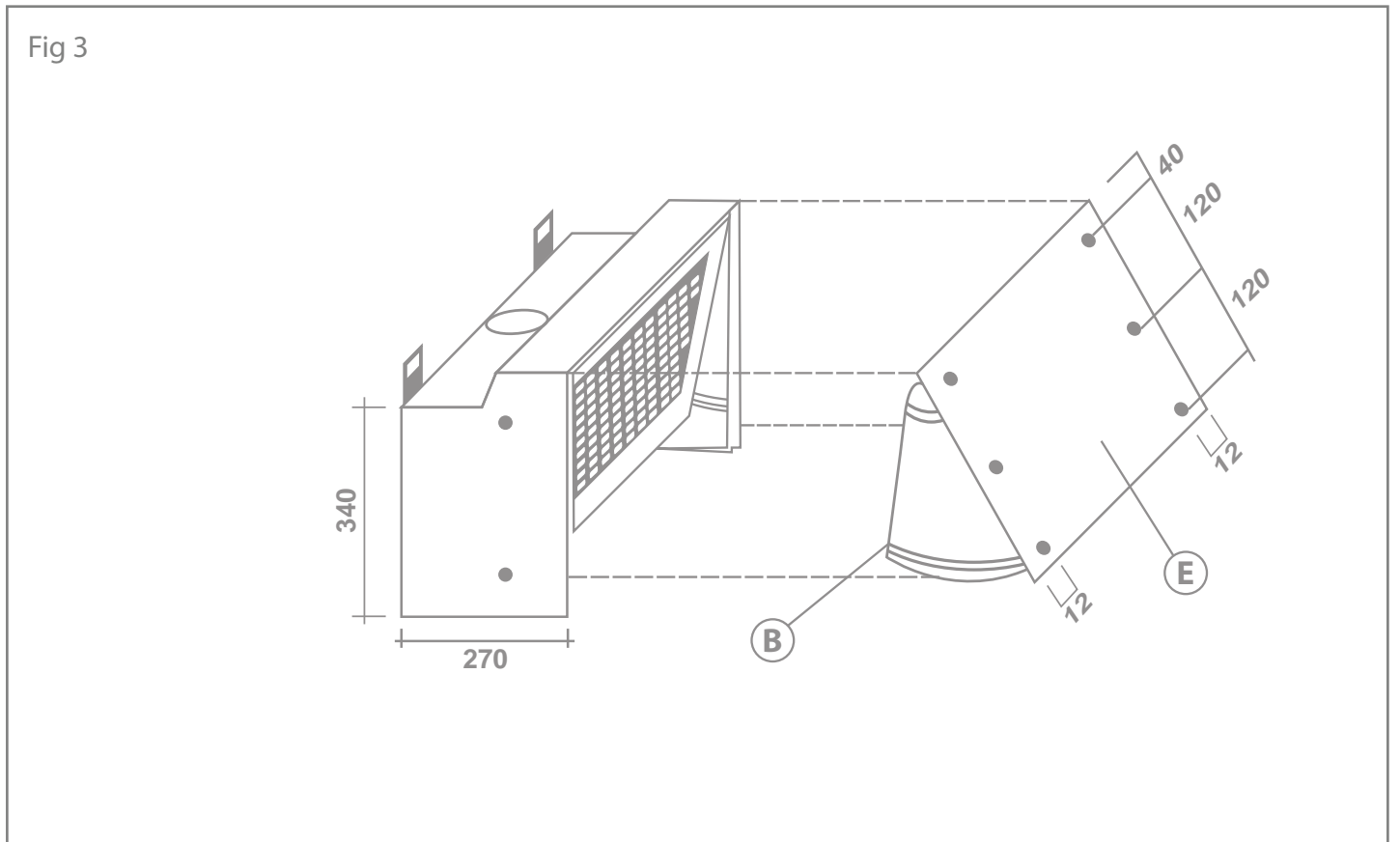
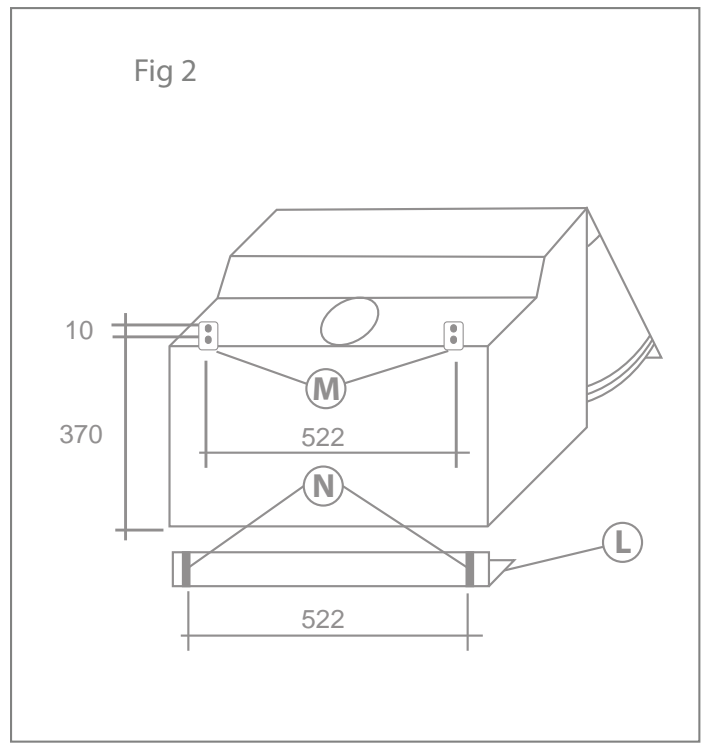
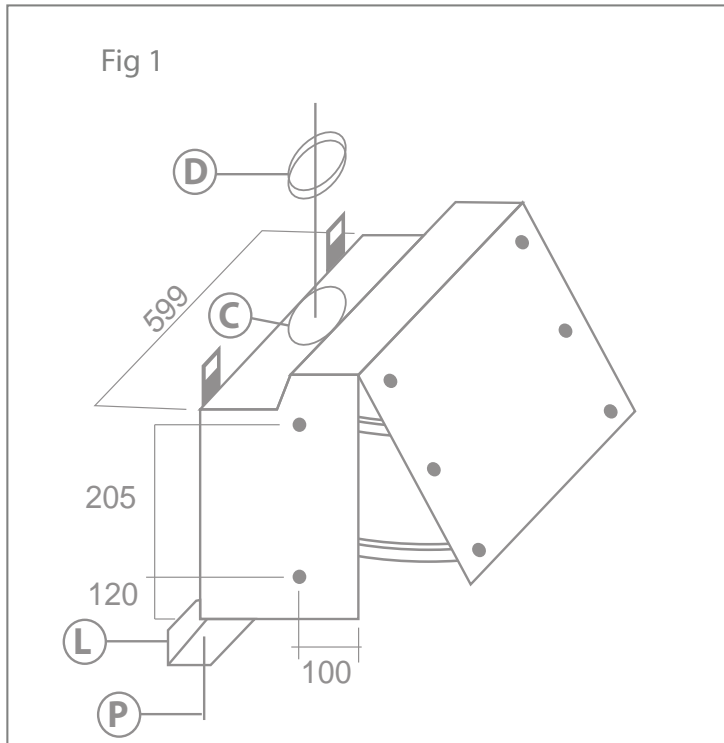
Waste electrical products should not be disposed of with household waste. Please recycle where facilities exist. Check with your Local Authority or retailer for recycling advice.



## . Safety Instructions.

- Children should be supervised to ensure that they do not play with the appliance.
- This appliance is not intended for use by persons (including children) with reduced physical, sensory or mental capabilities, or lack of experience or knowledge, unless they have been given supervision or instruction concerning the use of the appliance by a person responsible for their safety.
- This appliance must be disconnected from the electricity supply before carrying out maintenance, to avoid any possibility of electric shock.
- Flambé cooking is prohibited underneath this appliance.
- This appliance is designed for domestic use only and cannot be installed for external use.
- This appliance must not be installed below 66cm above a cooking hob, that is designated in the installation instructions.
- The exhaust from this appliance must never be discharged into any heating flue, which may carry combustion products from another source i.e. boiler flue.
- Exhaust air must not be discharged into a wall cavity, unless the cavity is designed for the purpose.
- There must be adequate ventilation of the room when the appliance is in use at the same time as appliances burning gas or other fuels.
- When this appliance is in use do not leave gas burners lit without covering the flame with a pot or pan. Always turn off gas burners before you remove pots or pans.
- If the supply cord is damaged, it must be replaced by the manufacturer, its service agent or similarly qualified persons in order to avoid a hazard.
- Caution! Accessible parts may become hot when used with cooking appliances.
- Means for disconnection must be incorporated in the fixed wiring in accordance with the wiring rules. To achieve this install appropriate switched fused connection unit.
- An all-pole disconnection switch having a contact separation of at least 3mm in all poles should be connected in fixed wiring.

. Integrated Cooker Hood Dimensions.



## .Electrical Connection.

Before connecting the mains supply ensure that the mains voltage corresponds to the voltage on the rating plate inside the cooker hood.

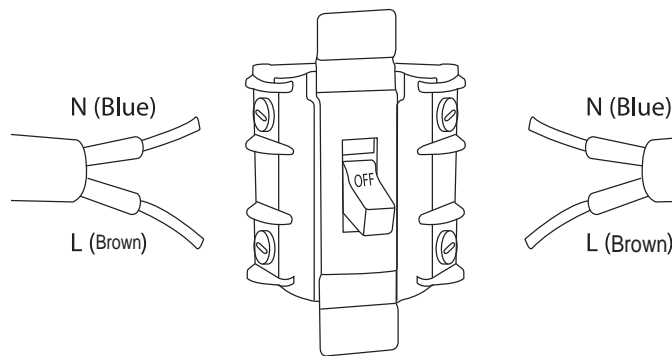
### **WARNING: THIS APPLIANCE MUST NOT BE EARTHED.**

The cooker hood is supplied with a 2-core mains cable and must be connected to the electricity supply via a double pole switch having a 3mm minimum contact gap on each connector. A Switched Fused Connection Unit to BS 1363 Part 4 is a recommended.

The wires in the mains lead are coloured in accordance with the following UK code:

**Brown = L - Live**

**Blue = N - Neutral**



The connection point must be placed in a position adjacent to the appliance so as to be readily accessible for an engineer in the event of a breakdown.

**Disconnect the cooker hood from the mains supply before carrying out any kind of maintenance or cleaning.**

## . Installation

Before installing this cooker hood it must be decided whether to use it in extraction mode or recirculation mode. See page 7 for a description of the differences between the two modes.

If it is decided to use it in extraction mode any masonry work must be completed prior to fitting the cooker hood and the electrical connection installed.

### **Mounting Height.**

**The bottom of the cooker hood should be no less than 650mm above an electric hob, 750mm above gas hob or mixed fuel cooker. For the best results the hood should be mounted as near as possible to the minimum recommended height.**

## Mounting of the Cooker Hood Between Two Hanging Cupboards

6.

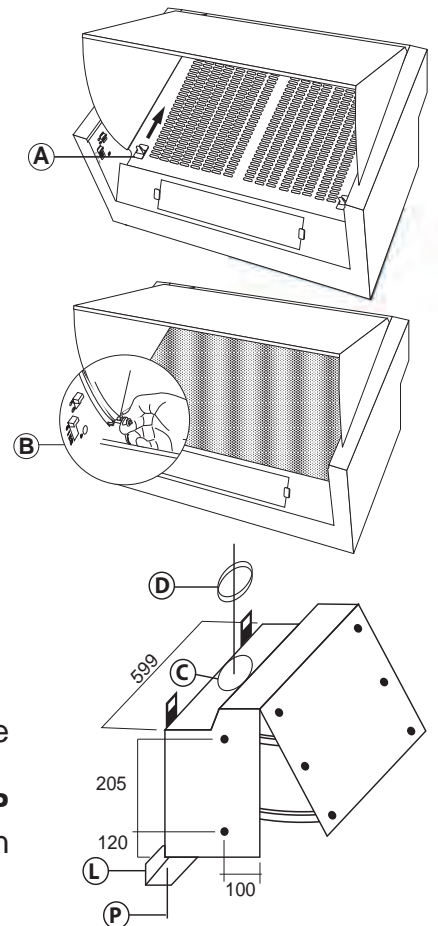
Open the front panel and push the two catches (A) upwards and remove the grille and grease filter.

Pull the locking pin B, on both sides of the front panel, until they stop, and pull the front panel forward until it is released from its guide rails.

Drill 2 holes on the side of the hanging cupboards as shown. The thickness of the outer décor panel must be taken into consideration so that when it is installed it remains at the same level as the side hanging cupboard doors.

Fix the cooker hood to the side cupboards using 4 screws that are appropriate to the type of cupboard.

To close the gap between the cooker and the wall loosen screws P and slide the spacer L backwards until it touches the wall and tighten the two screws.

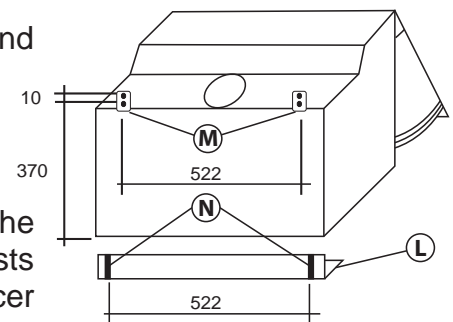


## Mounting of the Cooker Hood on the wall.

Drill 4 holes, 2 holes at position M and 2 holes at position N and insert expanding plugs appropriate to the type of wall construction.

Fix the spacer L to the wall at the correct height.

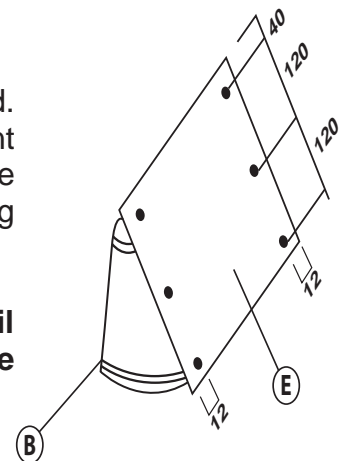
Fix 2 screws at position M and hang the cooker hood onto the screws. Adjust the hanging clamps so that the cooker hood rests onto the spacer L. Tighten the hanging clamp screws and spacer screws P.



## . Fitting the Décor Panel.

Before refitting the front panel E the outer décor panel must be fitted. Fix the décor panel as per the illustrated dimensions. Refit the front panel by inserting it in the upper and lower slide guides. Pull the locking pins out until they stop and close the outer door until locking pins B click into position.

**Note:** It is important that if the locking pins are not pulled out until they stop, and the outer door is forced into the slide guides, the pins could be damaged or broken.

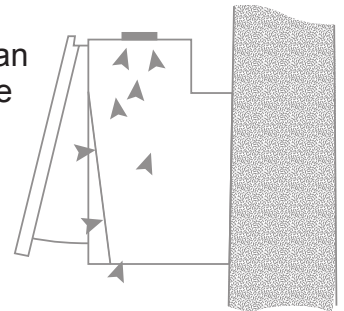


## . Extraction Mode or Recirculation Mode

Your new cooker hood can be installed either for recirculation or extraction through an outside wall. NOTE: The cooker hood is more efficient in the extraction mode.

### Installation for Recirculation.

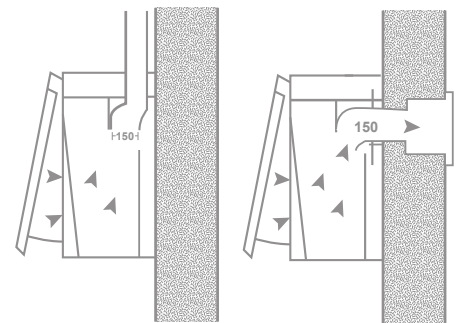
If it is not possible to exhaust through an outside wall the cooker hood can be fitted with a carbon filter (not supplied) to remove any odours and the air is then re-circulated.



### Installation for Extraction.

Fumes and greaseladen air are drawn into the cooker hood and expelled outside the room.

The size of the ventilation pipe, (not supplied), must have a minimum diameter of 120mm and should not be longer than 3 meters.



- Keep exhaust flue as short as possible.
- Do not reduce the internal diameter of the exhaust flue throughout its full length.
- Keep bends in the exhaust flue to a minimum.
- When using a flexible flue always install the duct with the helix pulled taut to minimise pressure loss.
- Failure to observe these basic instructions will drastically reduce the performance and increase the noise level of the cooker hood.

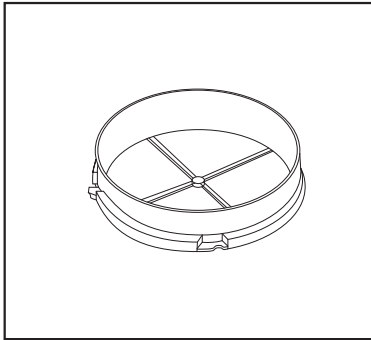
To fit the extraction pipe insert the vent collar **D**, (this can be found inside the cooker hood when it is unpacked), into the aperture **C** on the top of the cooker hood and secure the pipe to the collar.

**Important: The exhaust air must not be expelled through a smoke or waste gas chimney, which is in use, or through a shaft used for ventilating rooms or into the cavity of a wall.**

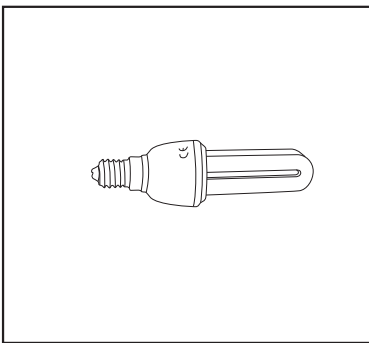
**If the room contains a fuel burning appliance, such as a gas, or oil fired, central heating boiler, which is not of the 'Balanced Flue' type, you should make sure that there is adequate air inlet into the room at all times so that fumes from the boiler are not drawn back into the room by the Cooker Hood.**

## . Accessories.

### Description



Collar



E14 9W Lamp



Grease filter

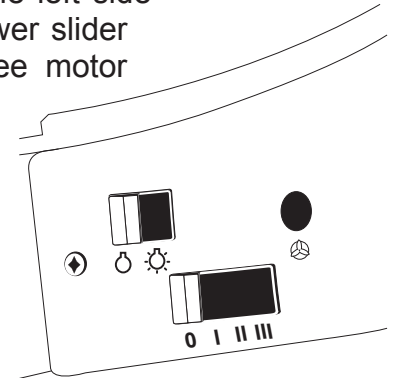


## . Using Your Cooker Hood.

The light and the fan motor will not operate if the outer cover is in the closed position.

Pull open the outer door and the control switches can be seen on the left side panel. The upper slider switch will turn the lamps on and off. The lower slider switch will turn the extractor fan motor on and off. There are three motor speeds available.

- ☀ Switching light on/off
- I Lower speed.
- II Medium speed.
- III High speed.



If the outer door is closed without switching off the fan motor, or lamps, an override switch will turn the cooker hood OFF. When the outer door is opened the cooker hood will resume working at its previous settings.

**The cooker hood will not operate when the outer door is opened if the switches are in the OFF position.**

To obtain the best results from your cooker hood it is recommended that you switch on the fan motor 10 to 15 minutes before you start cooking and leave it switched on for 15 minutes after you have finished.

**Your cooker hood is designed to extract odours and grease-laden air from the room. It is not designed to remove steam.**

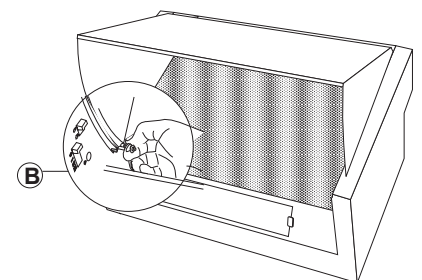
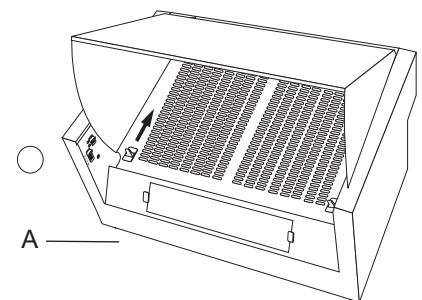
Before using your cooker hood for the first time it should be cleaned using a soft cloth, with warm soapy water. Do not use any type of abrasive detergents. Thoroughly dry the cooker hood.

To keep your cooker hood in pristine condition it should be cleaned regularly.

**NOTE:** Always disconnect the electricity supply before you commence cleaning, or any form of maintenance.

### ***Bulb Replacement.***

- Switch the appliance off and disconnect the power supply.
- Open the front panel and push the two catches (A) upwards and removed the grille and grease filter.
- Pull the locking pin B, on both sides of the front panel, until they stop, and pull the front panel forward until it is released from its guide rails.
- Screw the light bulb from the holder and replace by new light bulb of the same type, max. 40W (E14).
- Replace the grille and front panel and make sure it locks in place.



## . Technical Data

- Power supply : 220-240V~ 50Hz
- Power consumption – Fan : 125W
- Power consumption – Luminary : 1 x 40W
- Power consumption – Total : 165W
- Protection class : II
- Light bulb : Max. 40W (E14)

## . Maintenance and Troubleshooting

### Lamps fail to operate

A replacement is possible necessary, but first check that the lamp is correctly fitted into its holder. Remember that the lamps are not covered by our guarantee. Remember to disconnect the mains electricity supply before replacing the lamps. Replace any failed lamps with the same type – E14 40 Watts Maximum.

### Motor is on but the fan does not seem to be as efficient as usual

Check the grease filter. If it has not been cleaned recently, it might be clogged with grease. Remove it and soak it in hot water and washing up liquid for about an hour. Rinse thoroughly in hot water and allow it to dry before refitting it.

**The grease filter should be cleaned every 2 months.**

NOTE: The aluminium panel grease filter may alter in colour after several washes. This is not cause for concern or replacement of the filter.

If the cooker hood is being used in recycling mode the carbon filter may be saturated. If it has not been replaced for 4 months remove it and insert a new one.

### Appliance does not work at all

Check that your cooker hood is switched on at the mains. Check that the fuse has not blown. Next, check that there is power to your home by switching on adjacent lights.

Open the front panel, by pulling it towards you, and check that the fan motor switch is switched to one of the 3 speed settings.

### Still not working? Call the service agent

If, having consulted the above diagnostic chart you are still unable to remedy the situation, please contact our Call Centre: 0844 800 1128.

## .GUARANTEE.

### Your 2nd Year Guarantee

Your appliance carries a 24 months parts and labour warranty. To fulfil the conditions of your guarantee, the appliance must be correctly installed and operated, in accordance with the instructions, and only be used for normal domestic purposes.

Please note that the guarantee and service availability only apply to the United Kingdom and the Republic of Ireland.

### Customer Service

In case of difficulty please call the Customer Service Helpline on our helpline number.

**0844 8001128**

When calling customer service, please ensure you have the model and serial number to hand. Please keep your receipt or invoice in a safe place as they will be required as proof of date of purchase.