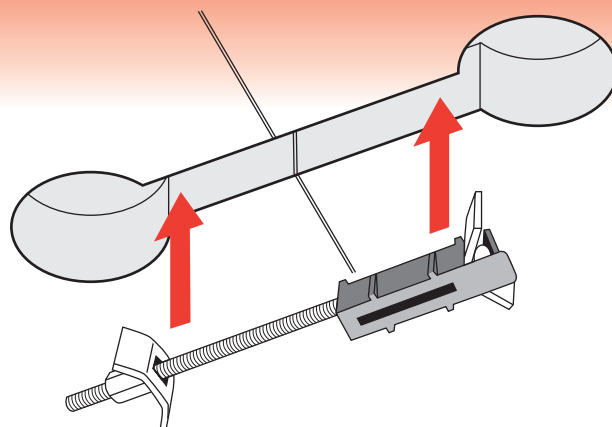


# EASIBOLT



**Product:**

EasiBolt

**Product Description:**

EasiBolt Holder

**Key Features:**

Unika EasiBolt will hold a 150mm Worktop Connecting bolt in place while the worktop is set in position prior to the bolt being tightened.

By using EasiBolt both hands are left free for tightening.

**Directions for Use:**

Position the bolt in place in the cut outs on the underside of the kitchen worktop.

Place the EasiBolt over one end of the bolt as per the photo above.

Set worktop to correct level and tighten bolt. The EasiBolt holder will allow the bolt to be fully tightened, there is no need to remove EasiBolt after the job is complete.

**Consumer Benefits:**

EasiBolt makes the job of tightening bolts under a kitchen work surface much easier.

**Retailer Opportunity:**

EasiBolt can be sold alongside all worktop connecting bolts.

EasiBolt is a brand new product opportunity.

**UNIKA COLOR PRODUCTS LTD**

Unika House, New York Way, New York Industrial Park,  
Newcastle upon Tyne, U.K. NE27 0QF

Telephone: +44 (0) 191 259 0033 Fax: +44 (0) 191 257 4525  
Email: sales@unika.co.uk <http://www.unika.co.uk>

