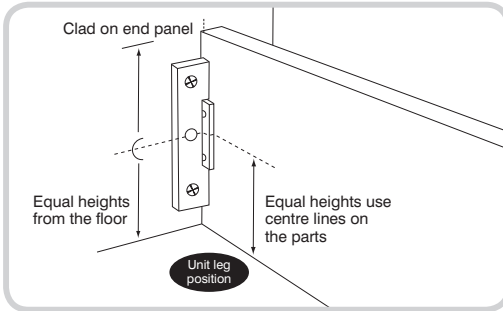
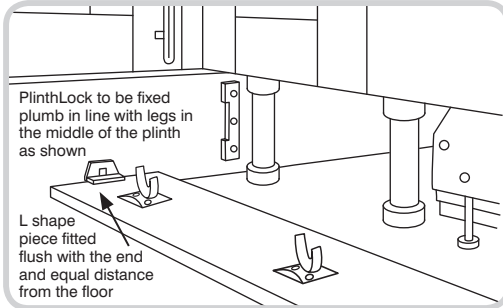


plinthlock

Instructions

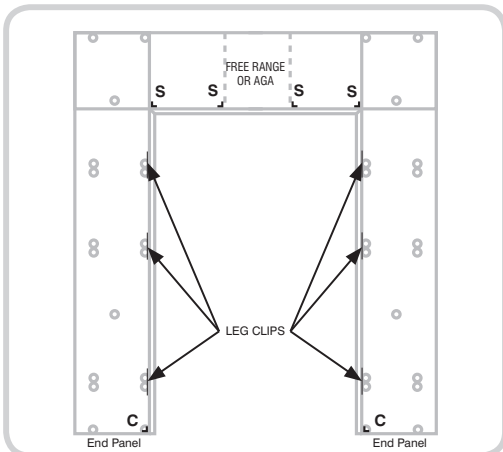


How to install

1. Scribe plinth and cut to correct height.
2. Measure height of plinth and mark height on inside of end panel.
3. Find centre of this height and fit Large Part of Plinth Lock in place using the centre line marked on the Plinth Lock as a guide. Make sure the plinth lock is not fitted in front of the leg alignment.
4. Now look at the height of the plinth and mark the centre. Fix the Small Part of the Plinth Lock in place using the centre line marked on the Plinth Lock as a guide.
5. Slot into position.

Where to install

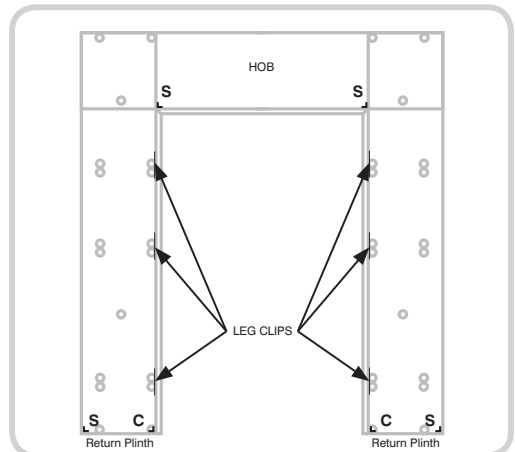
Standard "U" Shape Layout With Full Length End Panel



Full Length End Panel

C = Compact PlinthLock
S = Standard PlinthLock

Standard "U" Shape Layout With Return Plinth

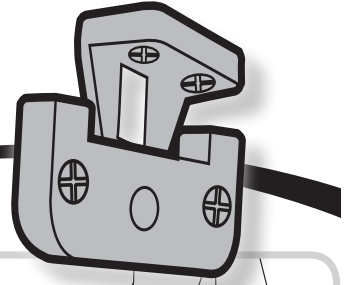


Return Plinth

C = Compact PlinthLock
S = Standard PlinthLock

new plinthlock

COMPACT

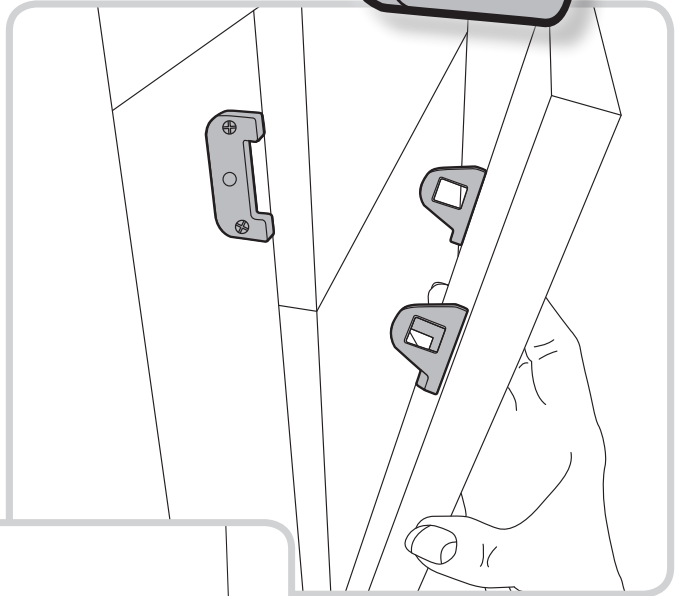


Many uses

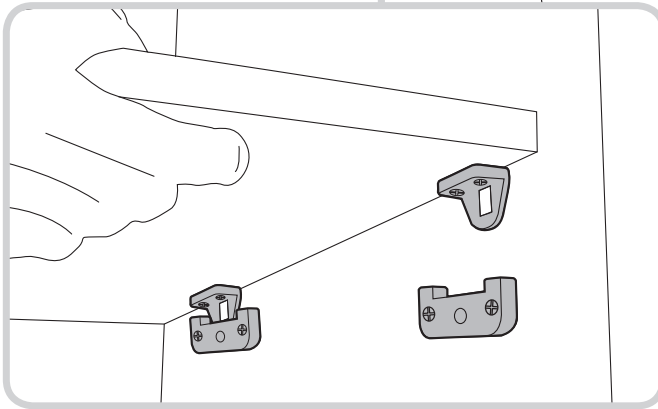
The new Compact Plinth Lock can be either Removable or Fixed by a centre locking pin. Only insert the locking pin for permanent fixed panels.

There are literally thousands of uses for the new Compact Plinth Lock. **Corner Posts, Access Panels, Pipe Boxing, Filler Panels, Cupboard Shelving, Dummy Drawer Fronts etc.**

WHAT WILL YOU USE YOURS FOR?

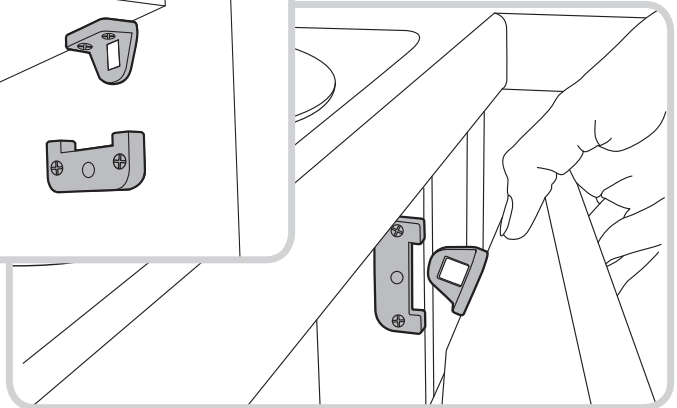


▲ Filler panels



▲ Cupboard shelving

Dummy drawer fronts ▶



UNIKA

UNIKA COLOR PRODUCTS LTD

Unika House, New York Way, New York Industrial Park,
Newcastle upon Tyne, U.K. NE27 0QF

Telephone: +44 (0) 191 259 0033 Fax: +44 (0) 191 257 4525

Email: sales@unika.co.uk www.unika.co.uk