

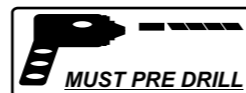
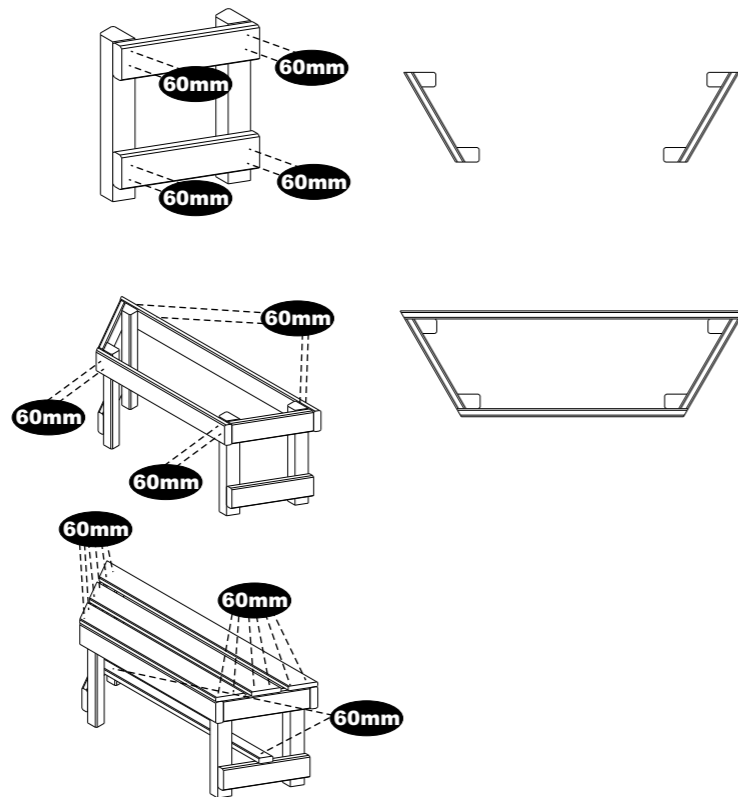
13

1. Secure the legs (TRADSUMBELEG) To the Side Braces (TRADSUMSB) Top and bottom.

2. Secure the front brace (TRADSUMFB) and the back brace (TRADSUMBB) To the leg assembly

3. Secure all top boards (TRADSUMSSLAT1064, TRADSUMSSLAT0930 And TRADSUMSSLAP0798) and the middle brace (TRADSUMBBRA)

Repeat the same steps for the straight bench using the BEPSB, BEPB, BEPSS and the BEPBB

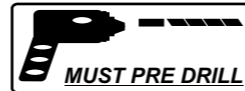
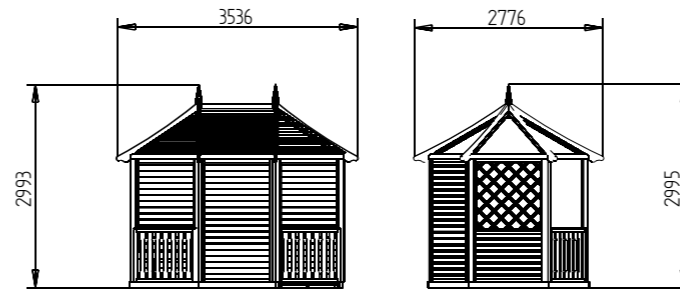


Forest Garden plc.  
Units 291 & 296 Hartlebury Trading Estate  
Hartlebury  
Worcestershire  
DY10 4JB

General Enquiries: 0844 248 9853  
E-mail: info@forestgarden.co.uk

www.forestgarden.co.uk

forest

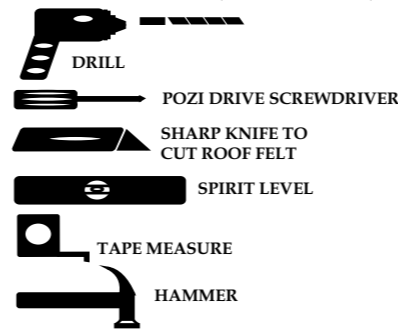


Important: Assembly of this Pavillion requires two people.

# EXTENDED BURFORD PAVILION

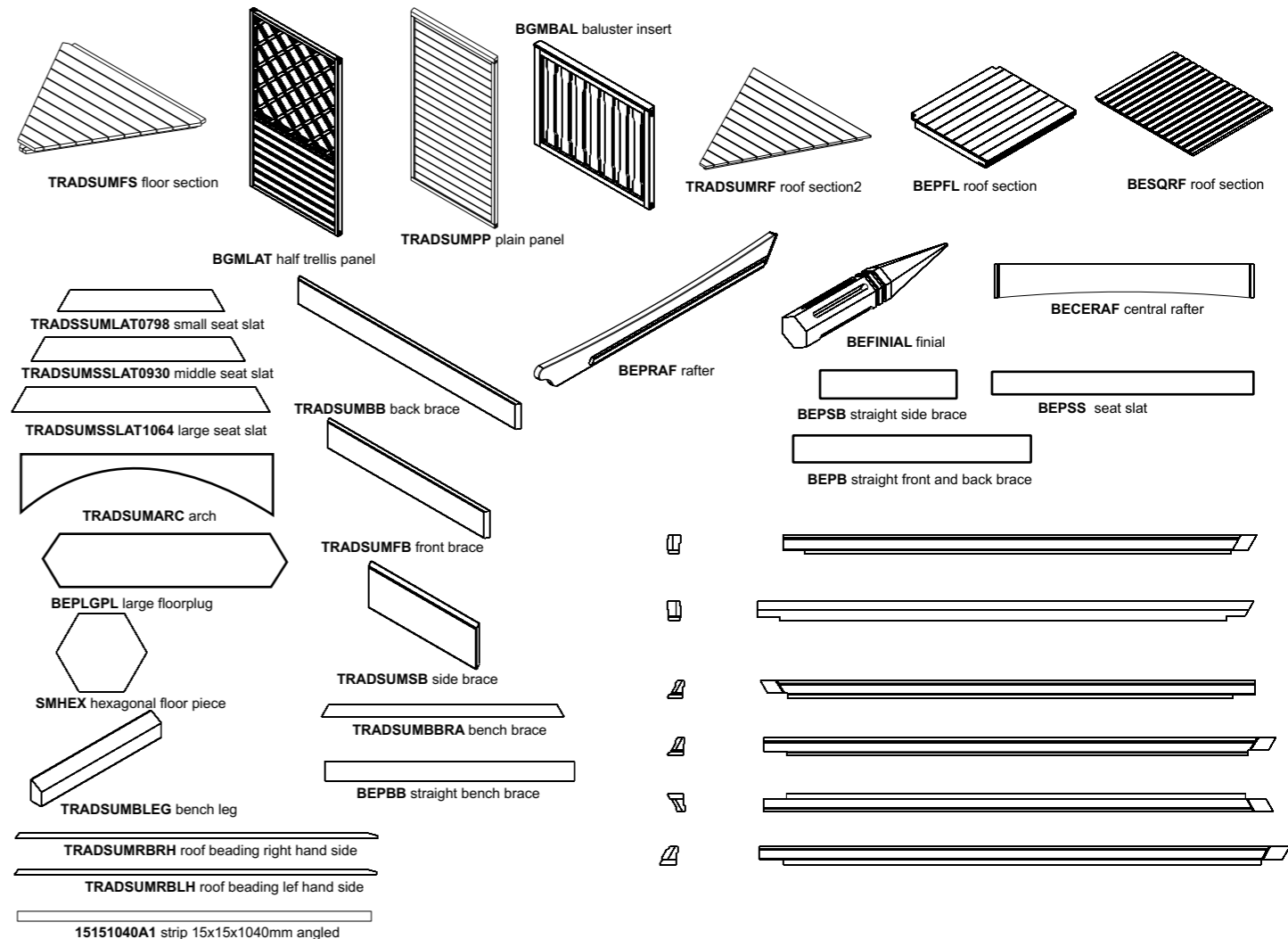


### REQUIRED TOOLS: (NOT SUPPLIED)

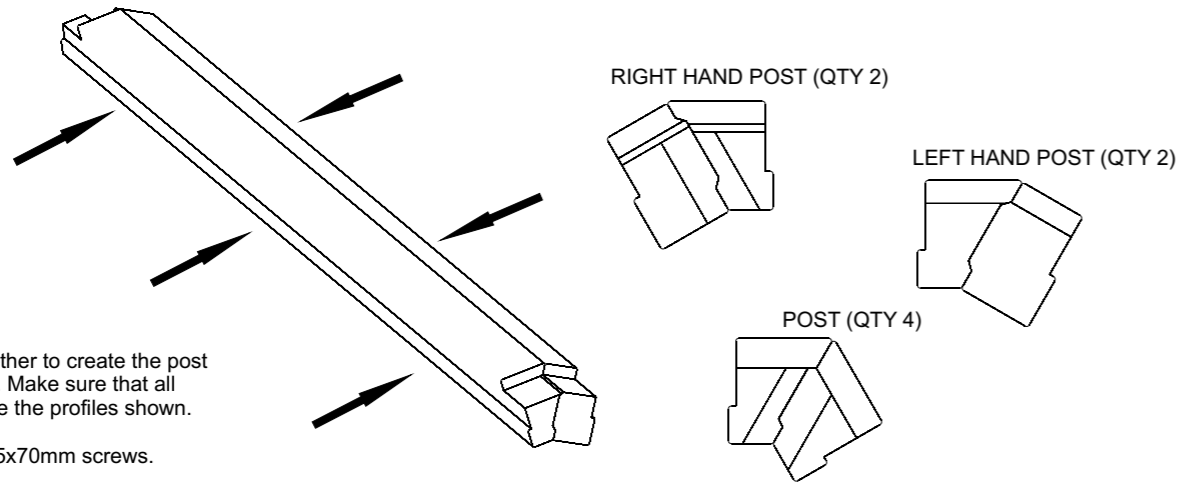


Thank you for choosing this garden building manufactured by the UK's largest manufacturer of timber garden products. In order to gain the most benefit from it, please note the following:

- Exercise particular care and follow instructions whilst cutting felt tiles. If they are cut incorrectly, additional felt tiles can be inexpensively purchased from most good DIY retailers or garden centres.
- This building is pressure treated. For extra protection from the elements we recommend that you treat your building using a wood preservative treatment. Apply in accordance with the manufacturers instructions.
- Please ensure that you thoroughly check all component parts for quantity and quality before you commence building the product. If there are any missing parts, please contact the help line as shown immediately. The manufacturer cannot be held liable for damaged items once any part of the product has been fitted or altered in any way (e.g. Painted)
- Timber is a natural material. It will shrink and swell as a result of varying moisture content.
- Please keep all plastic bags and small parts away from children in order to reduce the risk of suffocation.
- Important Note: Do not lean or stand on roof during assembly. Roof is not load bearing.
- If there are any technical queries with the product, please contact our customer help line on 0844 248 9853 between the hours of 8.30 am and 5.00 pm Monday to Friday.



1

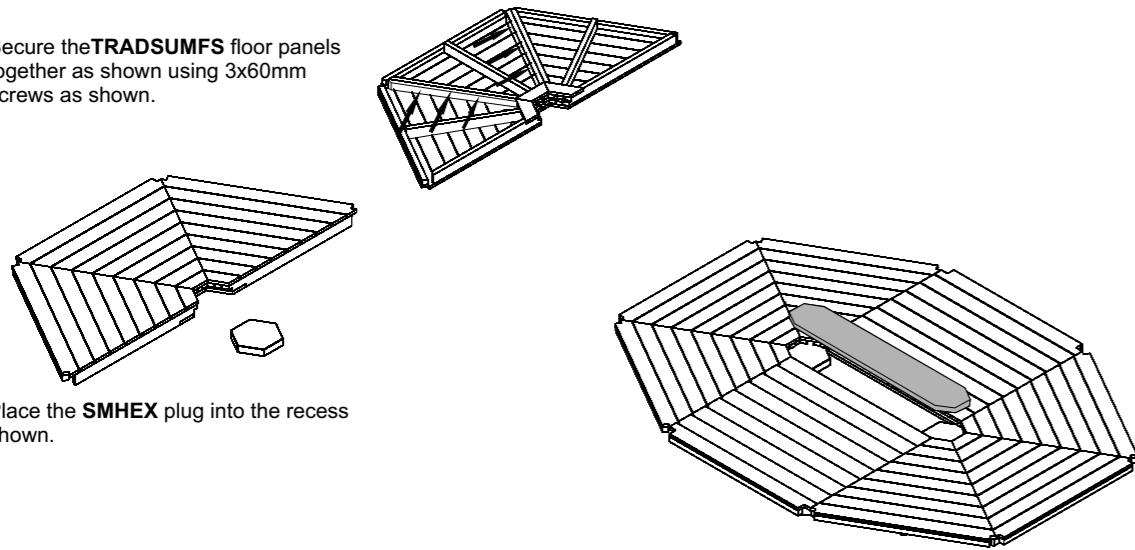


Secure the posts together to create the post assemblies as shown. Make sure that all edges line up to create the profiles shown.

Secure together with 5x70mm screws.

2

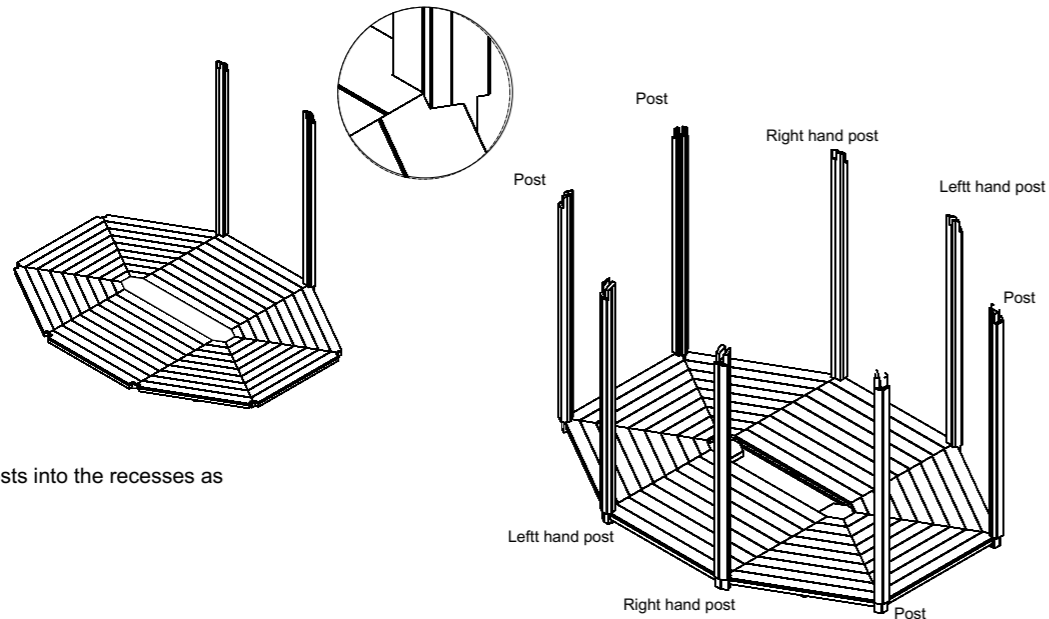
Secure the **TRADSUMFS** floor panels together as shown using 3x60mm screws as shown.



Place the **SMHEX** plug into the recess shown.

Slot the **BEPLGPL** large floor plug in to the gap in the middle of the assembled floor so that it sits on the two small hexagon plugs you have previously

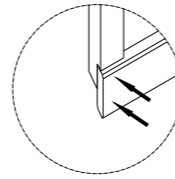
3



Place the posts into the recesses as shown.

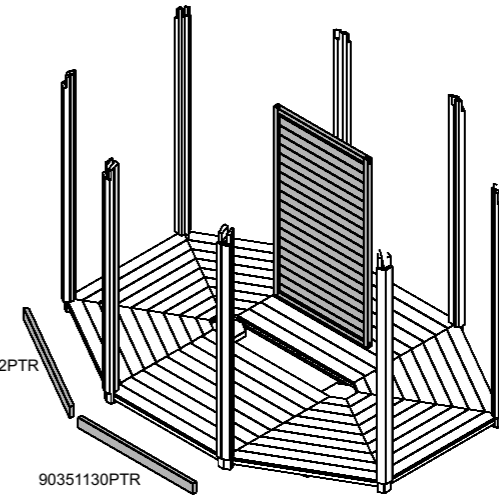
4

Secure the posts in place by positioning the bottom rails (**95351130PTR** and **95351190A2PTR**). Against them and the floor panels. Screw the bottom rails into the posts using 60mm screws.



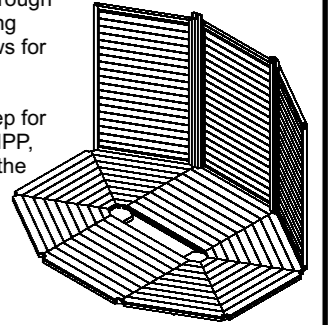
90351190A2PTR

90351130PTR

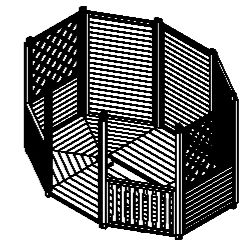
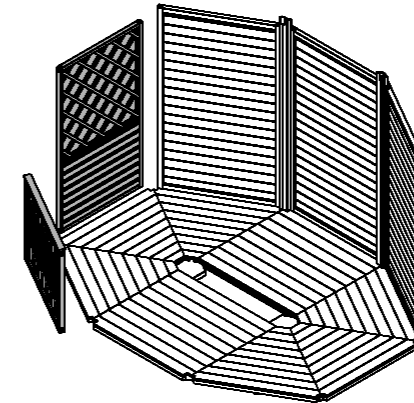


Place the panels in between the posts as shown. Secure the panels to the posts by screwing through the panels using 3x60mm screws for each side.

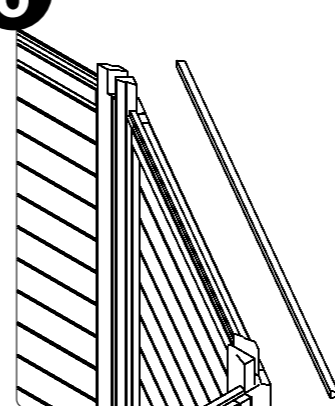
Repeat this step for the **TRADSUMPP**, **BGMBAL** and the **BGMLAT**.



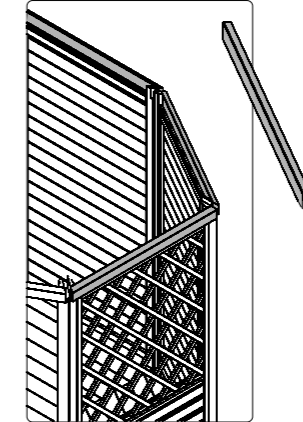
5



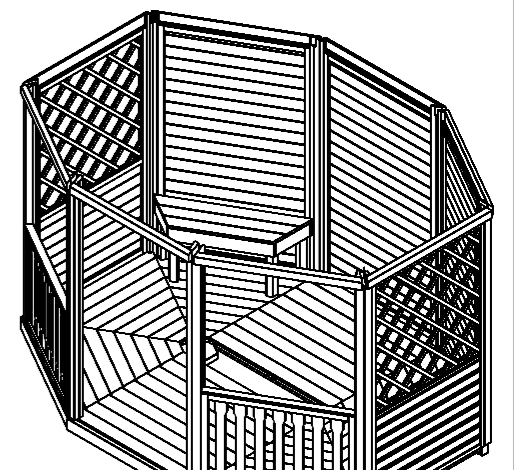
6



Fix the **15151040A1** (strip) to the top of the **TRADSUMPP** and the **BGMLAT** panels. Make sure it is positioned in the centre.

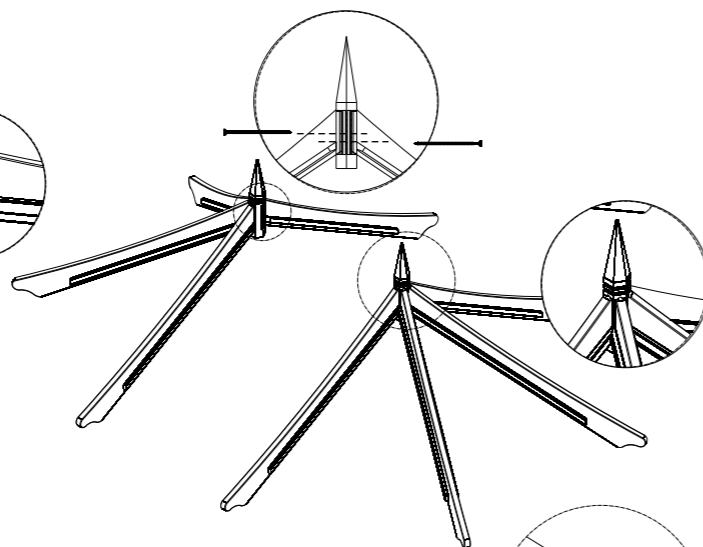
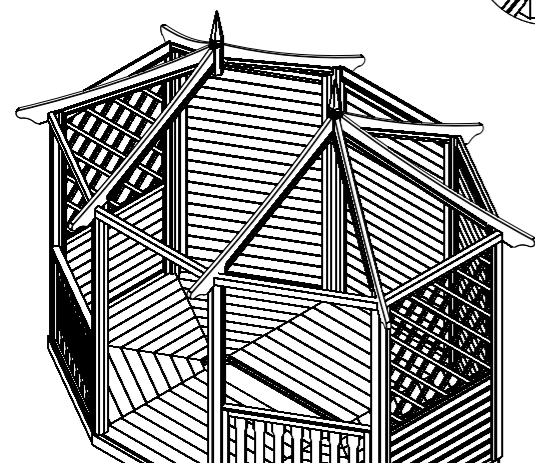


Position the top rails (**80351145SPTR**) and (**80351145SPTR**) to the top of the posts so that they sit in the recesses provided. Make sure that the gap for the rafter is not covered. Secure to the post using 2x60mm screws.

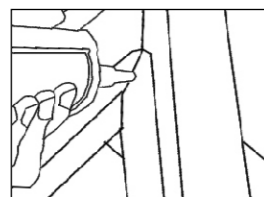


7

Place the **TRADSUMRAFS** (rafters) into the slots on the **BEFIN** (finial) as shown. Secure these in place using 120mm screws.

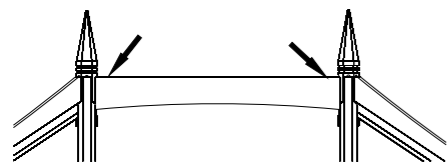


Lift and place the two assemblies on top of the structure so that the rafters sit in the recesses of the posts. Secure the rafters in place by screwing through the post into the rafter using a 70mm screw for each.

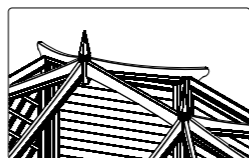


Use plenty of the silicon provided to seal the gaps between the rafters.

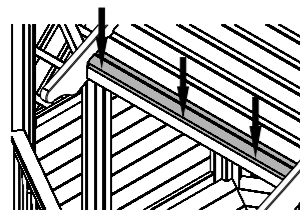
8



Link the two assemblies together by slotting the **BECERAF** (central rafter) at either end to the finials. Secure in place using 2 x 120mm screws.

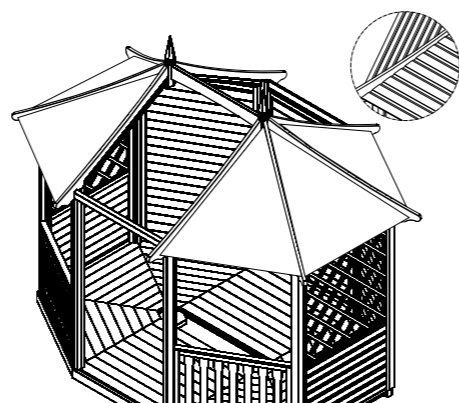


9



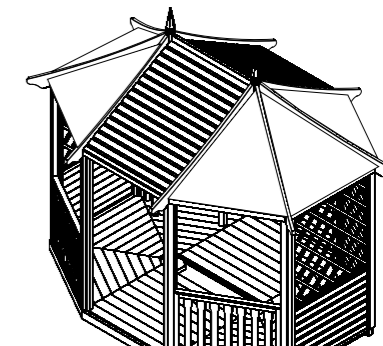
Place the **TRADSUMRF** (roofs) onto the building as shown. Rest these on the battens on each side of the rafters. Push them firmly towards the finial whilst securing in place by screwing through the roof into the rafters using 3x40mm screws for each side. Also screw through the bottom board of the roof into the **80351145SPTR** batten underneath using 3x25mm screws for each

Take care not to screw through the rubber lining



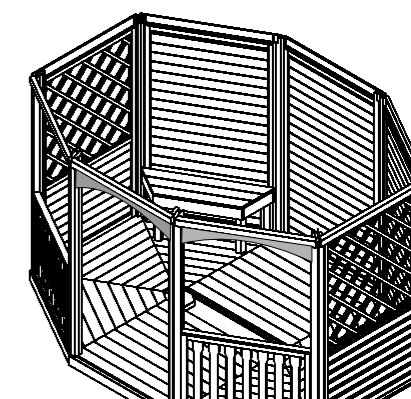
10

Repeat the same procedure for the **BESQRF** (square roof)



11

Place the three **TRADSUMARC** (arch) into frame above the **BGMBAL** and in the door way. Fix each in place using 3x60mm screws.



12

Fix the **TRADSUMBRH** and the **TRADSUMBLH** (right and left hand roof beading) onto the top of each roof panel so that they are flush on all sides and tight against the finial. Secure each in place by screwing them to the rafters using 3x25mm screws for each.

