

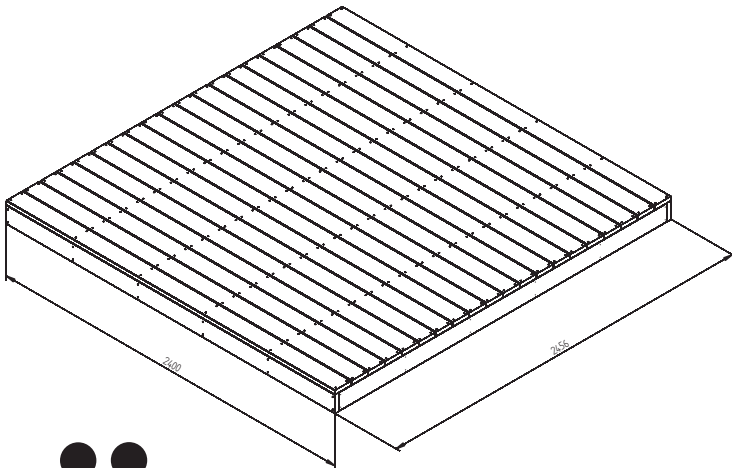
Patio Deck Kit Base Assembly Instructions

IMPORTANT, RETAIN FOR FUTURE REFERENCE: READ CAREFULLY

Issue 0110

Thank you for choosing this deck kit from the U.K.'s largest manufacturer of timber garden products. In order to gain the most benefit from it, please note the following :

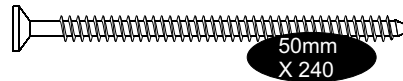
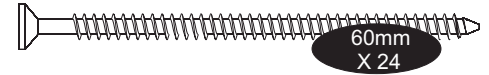
- 1) Please take time to read the assembly instructions carefully before erecting the deck, and check all parts prior to assembly. Neither refunds nor replacements can be offered if the product is incorrectly assembled.
- 2) Whilst we will replace any damaged or defective parts free of charge, we cannot accept any parts that have been modified from their original condition, eg. drilled, sawn or painted.
- 3) All holes should be pre-drilled in order to prevent wood from splitting.
- 4) Please take care to keep all plastic bags and small parts away from children to minimise the risk of suffocation.
- 5) This product is pressure treated to ensure longevity of all timber components and protect against rot. This may leave a colour difference in some parts that will even out as the moisture contents stabilises.



Important : Assembly of this deck requires two people.
Assembly should take approximately ½ a day.

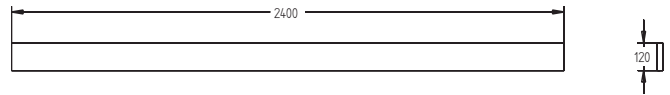
Fixings Included

PAT88V3BASEFP



Helpful Tip : use the illustration of the screw shown in each step to help you identify which fixing is required for each step in the assembly of your deck.

Components Included



VDB24BI (QTY 28)

Please use this part reference number when ordering replacement parts.

Required Tools : (Not Supplied)



DRILL



TAPE MEASURE

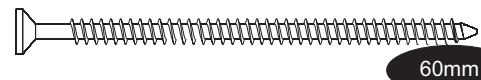
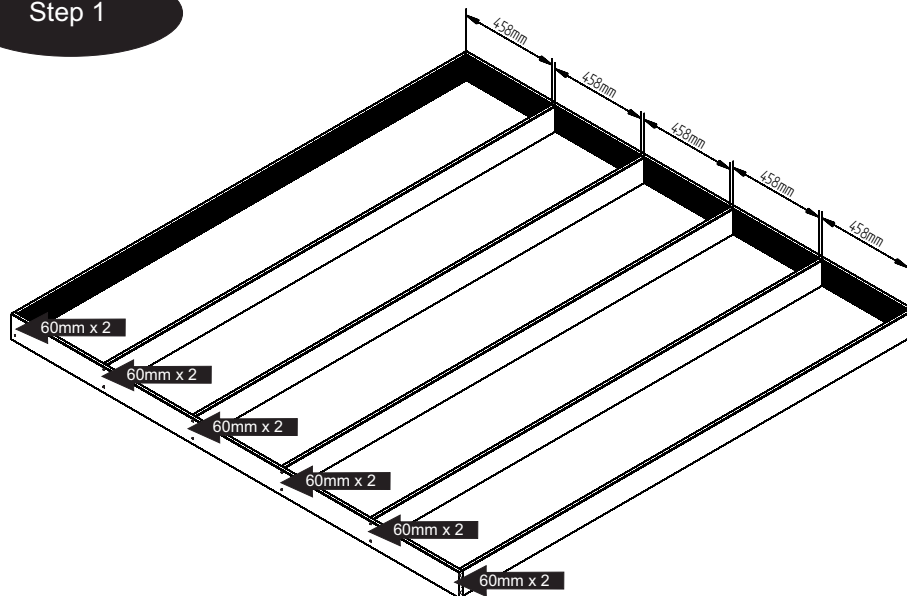


POZI DRIVE SCREWDRIVER



SPIRIT LEVEL

Step 1



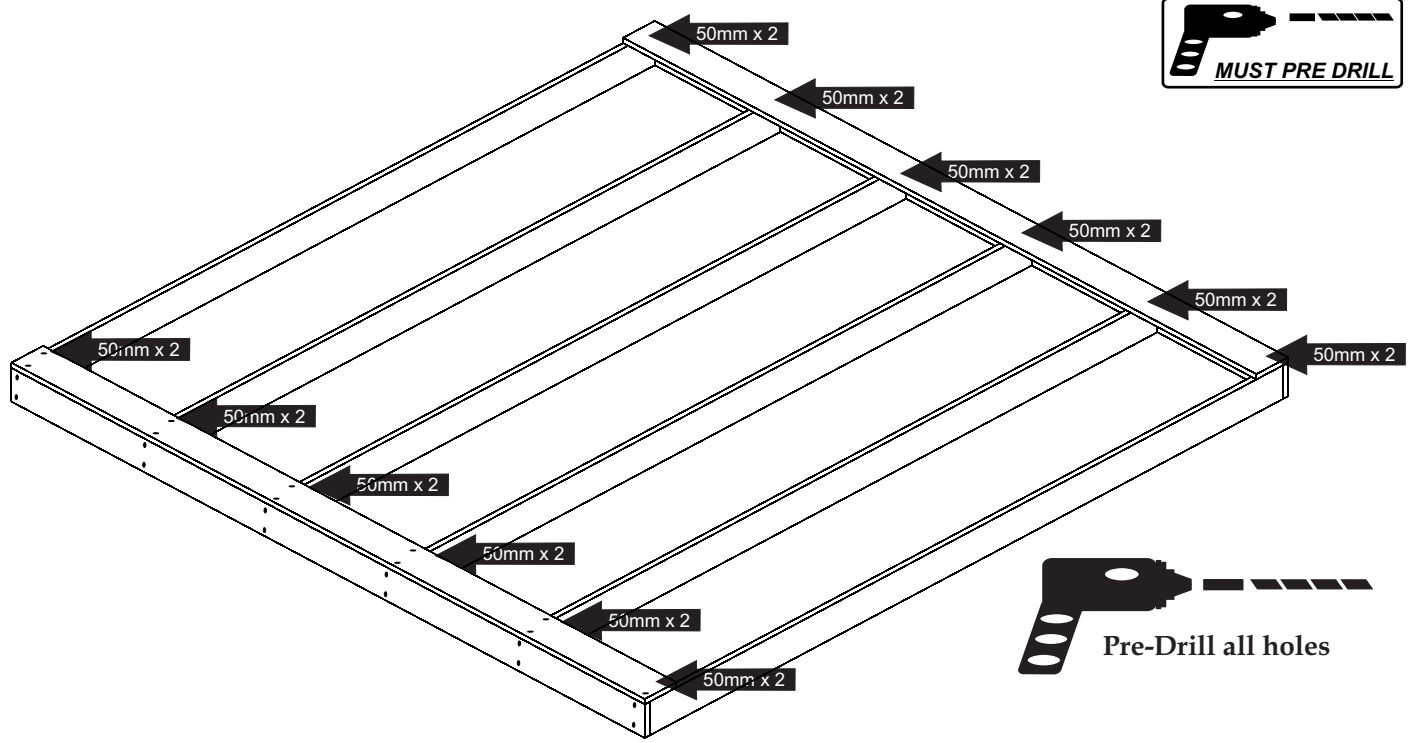
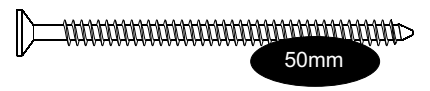
Note that 8 of the VDB24BI boards are used to make the base.
Fix using 24 x 60mm screws.

Repeat along this side with 60mm screws



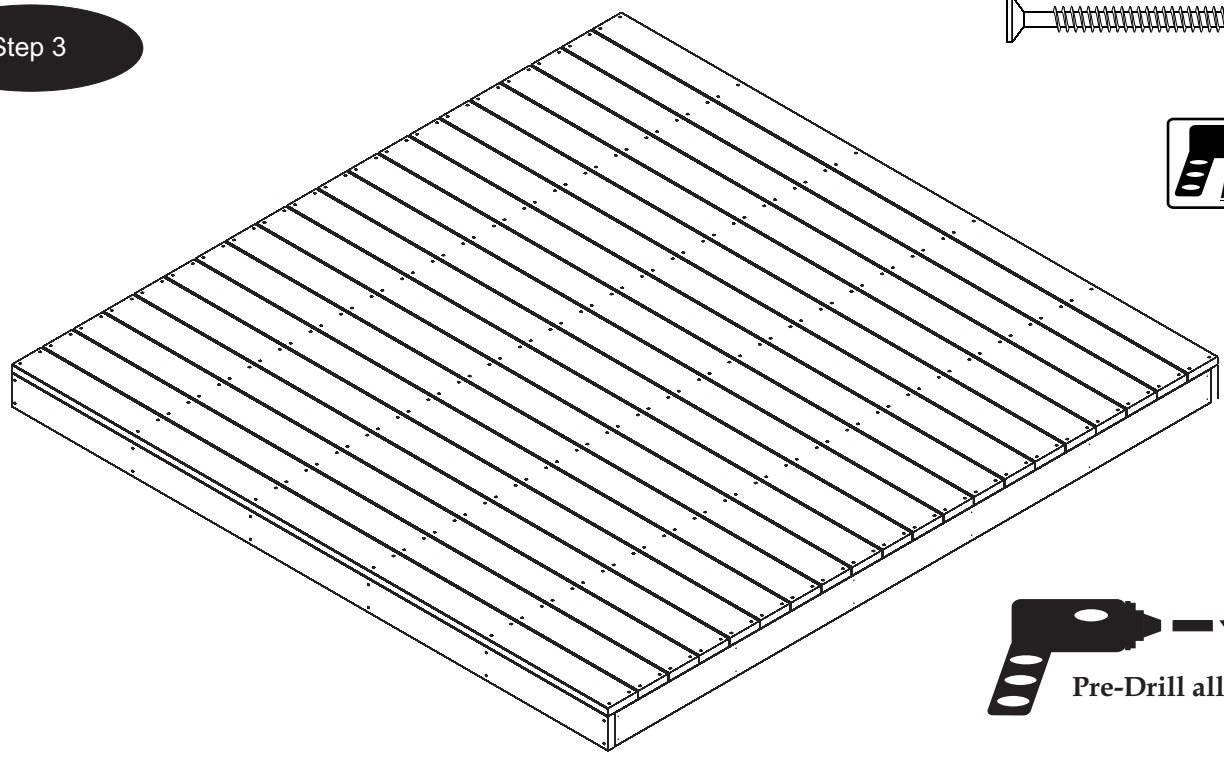
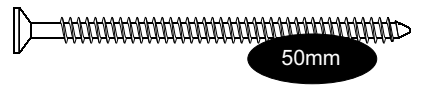
Should you require any additional guidance with the assembly of your decking please contact our technical help line on 0844 248 9853 between the hours of 8:30am and 5:00pm Monday - Friday

Step 2



IMPORTANT: PRIOR TO PROCEEDING PLEASE MEASURE DIAGONALS. BOTH DIAGONALS MUST BE = IN ORDER TO ENSURE DECK IS SQUARE.

Step 3



Place remaining boards on deck. Ensuring equal spacing between each secure in place as outlined in Step 2.

Should you require any additional guidance with the assembly of your deck please contact our technical Help line on 0844 248 9853 between the hours of 8:30am and 5:00pm Monday-Friday.