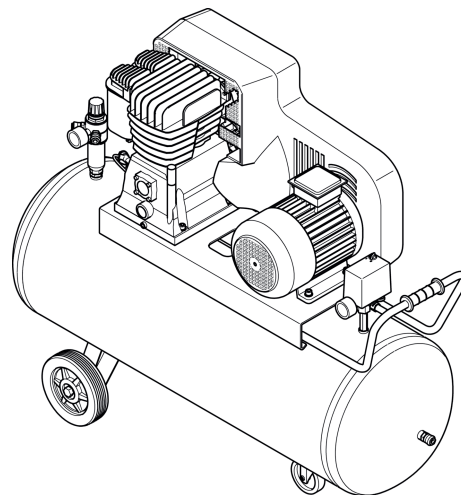


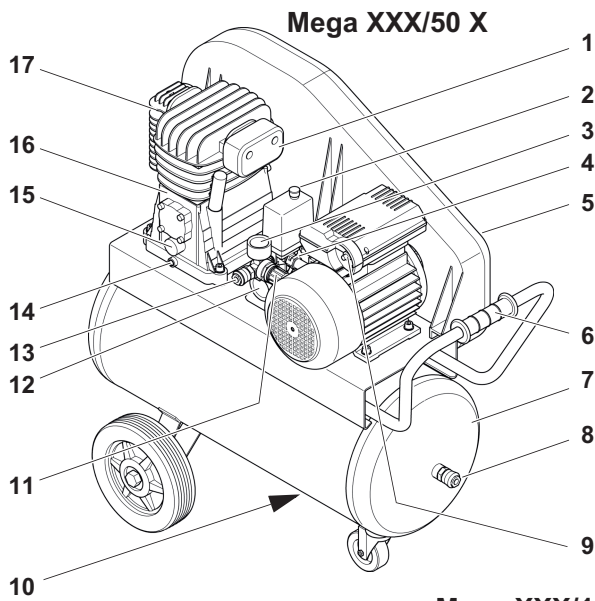
# metabo®

**Mega 370/100 W**  
**Mega 370/100 D**  
**Mega 490/50 W**  
**Mega 490/50 D**  
**Mega 490/100 W**  
**Mega 490/100 D**  
**Mega 500/150 D**  
**Mega 550/200 D**  
**Mega 650/200 D**

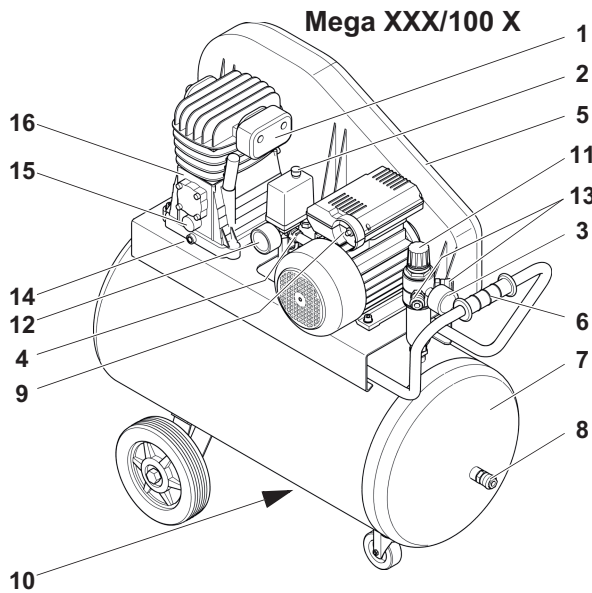


(D)	Originalbetriebsanleitung . . . . .	2
(ENG)	Original operating instructions . . . . .	10
(F)	Instructions d'utilisation originales . . . . .	17
(IT)	Manuale d'uso originale . . . . .	25
(NL)	Origineel gebruiksaanwijzing . . . . .	33
(ES)	Manual de instrucciones original . . . . .	41
(PT)	Manual de serviço original . . . . .	49
(DA)	Original brugsvejledning . . . . .	57
(NO)	Original instruksjonsbok . . . . .	64
(SV)	Original bruksanvisning . . . . .	71
(FIN)	Alkuperäiskäyttöohje . . . . .	78
(HU)	Originál használati utasítás . . . . .	86
(POL)	Oryginalna instrukcja obsługi . . . . .	94
(RUS)	Оригинальное руководство по эксплуатации . . . . .	102
(EL)	Πρωτότυπο οδηγιών λειτουργίας . . . . .	110

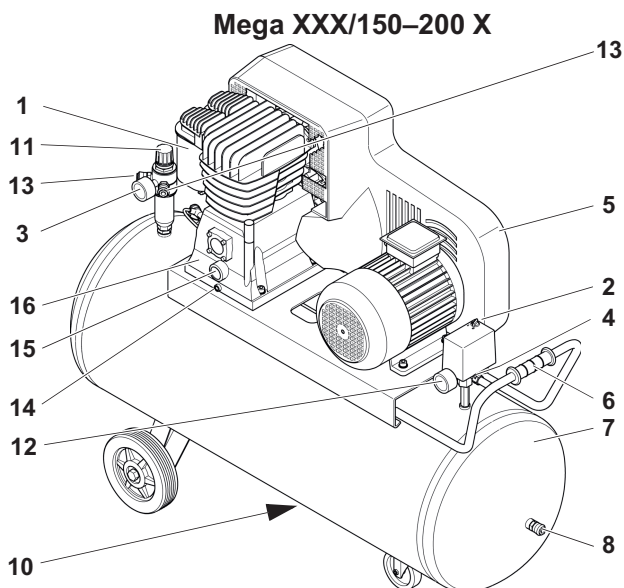
1. Component Overview / Standard Delivery



- 1 Air filter housing
- 2 On/Off switch
- 3 Outlet pressure gauge
- 4 Safety valve
- 5 V-belt guard
- 6 Transport handle
- 7 Pressure vessel
- 8 Compressed air connection (quick-release coupling), non-regulated compressed air, not pre-installed
- 9 Motor protection switch
- 10 Ball valve on condensate drain



- 11 Pressure regulator
- 12 Tank pressure gauge
- 13 Compressed air connection (quick-release coupling), regulated compressed air
- 14 Oil drain plug
- 15 Oil sight glass
- 16 Compressor pump
- 17 Re-cooler



## Table of Contents

1.	<b>Component Overview / Standard Delivery</b> .....	10
2.	<b>EC Declaration of Conformity</b> .....	11
3.	<b>Please Read First!</b> .....	11
4.	<b>Safety</b> .....	11
4.1	Specified conditions of use .....	11
4.2	General safety instructions .....	11
4.3	Symbols on the machine .....	12
4.4	Safety devices .....	13
5.	<b>Operation</b> .....	13
5.1	Prior to initial operation .....	13
5.2	Installation .....	13
5.3	Mains connection .....	13
5.4	Generating compressed air .....	13
6.	<b>Care and Maintenance</b> .....	14
6.1	Periodic maintenance .....	14
6.2	Machine storage .....	15
7.	<b>Troubleshooting</b> .....	15
8.	<b>Repairs</b> .....	15
9.	<b>Environmental Protection</b> .....	15
10.	<b>Technical Data</b> .....	16

## 2. EC Declaration of Conformity

We hereby declare that this machine complies with the basic requirements and provisions of the applicable directives.

## 3. Please Read First!

These operating instructions have been written so that you can quickly learn how to operate your device safely. Here is how to read the instructions:

- Read these instructions completely before use. Pay special attention to the safety information.
- These instructions are intended for persons with basic technical knowledge in the handling of machines such as the one described here. Inexperienced persons are strongly advised to seek competent advice and guidance from an experienced person before operating this machine.
- Retain all documents delivered together with this device so that you and other users have access to the relevant information at all times. Retain proof of purchase for any future warranty claims.

- If you lend or sell this device be sure to have these Operating Instructions go with it.
- The manufacturer is not liable for any damage arising from disregard of these instructions.

Information in these Operating Instructions is denoted as follows:



**Danger!**

Risk of personal injury or environmental damage.



**Risk of electric shock!**

Risk of personal injury by electric shock.



**Caution!**

Risk of material damage.



**Note:**

*Additional information.*

- Numbers in illustrations (**1, 2, 3 etc.**)
  - denote component parts;
  - are consecutively numbered;
  - relate to the corresponding number(s) in brackets (**1**), (**2**), (**3**) etc. in the neighbouring text.
- Numbered steps must be carried out in sequence.
- Instructions which can be carried out in any sequence are indicated by a bullet point (•).
- Listings are preceded by a dash (–).

## 4. Safety

### 4.1 Specified conditions of use

This machine is designed to generate compressed air required for the operation of air tools. The machine should only be used under supervision.

Any use for medical purposes, food processing or filling of oxygen cylinders for breathing equipment is not permitted.

Gas or dust which is explosive, combustible or detrimental to health may not be compressed. Operation in explosive or dusty environments is prohibited.

Any other use is not as specified. Use not as specified, alteration of the machine or use of parts that are not approved by the equipment manufacturer can cause unforeseeable damage!

Children, juveniles and persons not instructed in use of this machine are not permitted to operate the machine or any air tools connected to it.

### 4.2 General safety instructions

- When using this electric tool observe the following safety instructions to exclude the risk of personal injury or material damage.
- Please also observe the special safety instructions in the respective chapters.
- Keep all documents supplied with the machine for future reference.
- Observe the statutory accident insurance institution guidelines and regulations for the prevention of accidents pertaining to the operation of air compressors and air tools where applicable.
- Observe the legal regulations regarding operation of systems subject to technical inspections.
- When operating and storing the machine be aware that leaking condensate and operating materials can contaminate the environment and lead to environmental damage.



**General hazard!**

- Keep your work area tidy – a messy work area invites accidents.
- Be alert. Know what you are doing. Set out to work with reason. Do not operate the electric tool while under the influence of drugs, alcohol or medication.
- Consider environmental conditions.
- Keep work area well lighted.
- Prevent adverse body positions. Ensure firm footing and keep your balance at all times.
- Do not operate the electric tool near inflammable liquids or gases.
- Keep bystanders, particularly children, out of the work area. Do not permit other persons to touch the tool or power cable while the electric tool is running.

- Do not overload the electric tool – use it only within the performance range it was designed for (see 'Technical Data').

**Danger! Risk of electric shock!**

- Do not expose the electric tool to rain.
- Do not operate the electric tool in a damp or wet environment.
- Prevent body contact with earthed objects such as radiators, pipes, cooking stoves or refrigerators when operating this electric tool.
- Do not use the power cable for purposes it is not intended for.

**Risk of personal injury by escaping compressed air and parts hurled about by escaping air!**

- Never direct compressed air against persons or animals!
- Ensure all air tools and accessories used are designed for the working pressure or are supplied via a pressure regulator.
- Please note that when the quick coupler is disconnected the compressed air contained in the pressure hose will escape all of a sudden. You should therefore firmly hold the air hose when disconnecting it.
- Ensure all screwed connections are fully tightened at all times.
- Do not attempt to repair the device yourself! Only trained specialists are permitted to service or repair compressors, pressure vessels and air tools.

**Hazard generated by lubricated compressed air!**

- Use oil-saturated compressed air only for air tools requiring such supply.
- Do not use an air hose used to supply compressed air containing oil to supply air tools not designed for operation on compressed air containing oil.
- Do not fill tires with compressed air containing oil.

**Risk of burns from the surfaces of parts carrying compressed air!**

- Let tool cool off before servicing.

**Risk of personal injury and crushing by moving parts!**

- Do not operate the compressor without installed guards.
- Please note that the compressor will start automatically when the pressure falls off to minimum! – Disconnect from power supply prior to any servicing.
- When turning ON the machine (e.g. after servicing) ensure that no tools or loose parts are left on or in the machine.

**Hazard generated by insufficient personal protective equipment!**

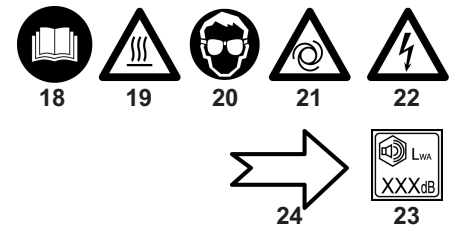
- Wear hearing protection.
- Wear safety glasses.
- Wear mask respirator when work generates dust or mist detrimental to health.
- Wear suitable work clothes. When working outdoors wearing of non-slip shoes is recommended.

**Hazard generated by electric tool defects!**

- Keep electric tool and accessories in good repair. Observe the maintenance instructions.
- Prior to use check the electric tool for possible damage: before using the electric tool carefully check safety devices, protection devices and any slightly damaged parts for proper function as specified. Damaged machines must be properly repaired before use.
- Check to see that all moving parts work properly and do not jam. All parts must be correctly installed and meet all conditions necessary for the proper operation of the electric tool.
- Damaged protection devices or parts must be repaired or replaced by an authorised repair centre.
- Have damaged switches replaced by a customer service centre.
- Do not operate electric tool if the switch cannot be turned ON or OFF.
- Keep handles dry and free of oil and grease.

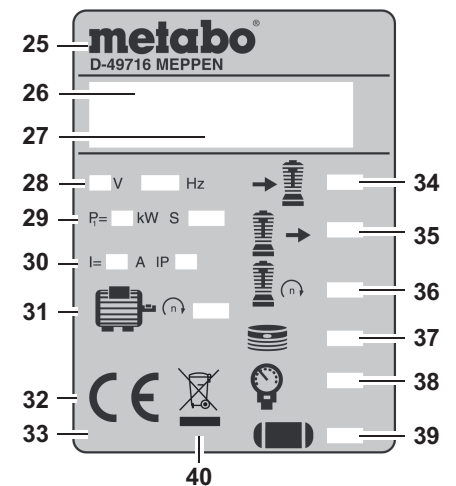
**4.3 Symbols on the machine**

**Symbols on the machine**



- 18** Read instructions.
- 19** Warning that personal injury may occur through touching of hot parts.
- 20** Wear safety glasses.
- 21** Warning of automatic startup.
- 22** Warning of high voltage.
- 23** Guaranteed sound power level.
- 24** Observe direction of rotation.

**Information on nameplate:**

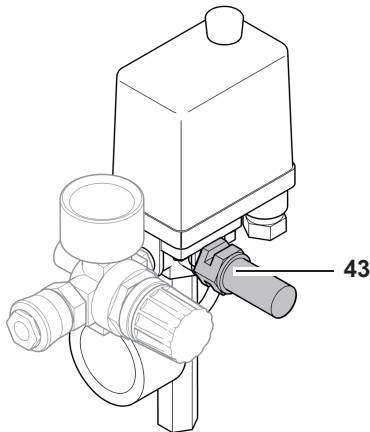


- 25** Manufacturer
- 26** Article number, version number, serial number
- 27** Machine designation
- 28** Supply voltage / frequency
- 29** Motor output  $P_1$  (see also 'Technical data')
- 30** Power consumption / Protection rating
- 31** Motor speed / nominal output power
- 32** CE mark – This machine conforms to the EC Directives as per Declaration of Conformity
- 33** Date of manufacture
- 34** Suction capacity
- 35** Filling rate
- 36** Speed (compressor pump)
- 37** No. of cylinders

- 38 Maximum pressure
- 39 Pressure vessel volume
- 40 Waste disposal symbol – Machine can be disposed of by returning it to the manufacturer

## 4.4 Safety devices

### Safety valve



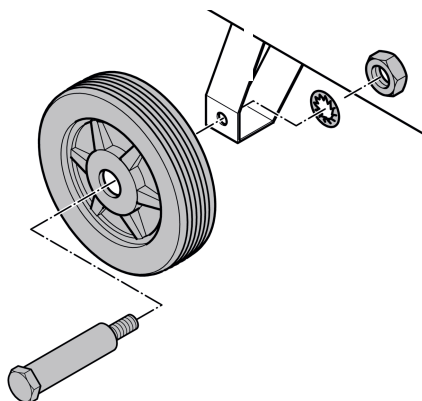
The spring safety valve (43) is incorporated into the pressure switch unit. The safety valve opens if the max. permissible pressure is exceeded.

## 5. Operation

### 5.1 Prior to initial operation

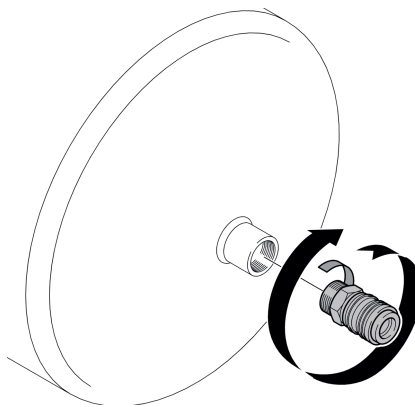
#### Installing the wheels

- Install wheels as illustrated.



#### Sealing the compressed air connection on the pressure vessel

- Install the compressed air coupler as illustrated.

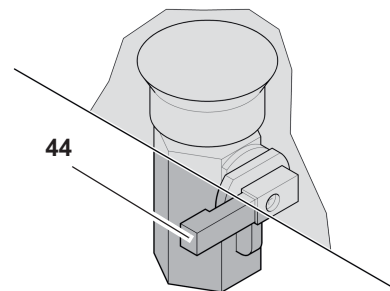


#### Checking the oil level

- Check the oil level of the compressor pump and add oil as required (see 'Periodic maintenance').

#### Checking the condensate outlet

- Make sure the condensate outlet is closed (44).



### 5.2 Installation

The device's installation location must meet the following requirements:

- dry, cool, protected from frost
- firm, horizontal and level surface.



Severe accidents may arise due to incorrect installation.

- Secure the device against rolling away, tipping over and slipping.
- Do not pull the device by the hose or power supply cable. Transport the machine by the handle only.
- Safety devices and operating elements must be easily accessible at all times.

### 5.3 Mains connection



Operate machine in dry environment only.

Operate machine only on a power source complying with the following requirements:

- outlets properly installed, earthed and tested;
- fuse protection in accordance with technical data.

Make sure that the mains cable is out of the way so that it does not interfere with the work and cannot be damaged.

Always check to see that the machine is switched OFF before plugging in.

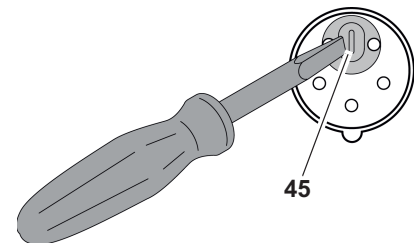


#### Check direction of rotation!

Depending on the phase sequence, the motor can turn in the wrong direction. This can damage the machine. Therefore, after each new connection, check the direction of rotation: the compressor's V-belt pulley must turn in the direction indicated by the arrow (on the belt guard).

In case of wrong direction, the phases must be exchanged in the power cable plug:

1. Unplug power cable.
2. Use a flat-blade screwdriver to exchange the phases as illustrated:
  - Slightly depress button switch (45).
  - Turn switch by 180°.



Protect mains cable from heat, aggressive liquids and sharp edges.

Use only extension cables with sufficient lead cross section (see 'Technical Data').

Do not stop the compressor by unplugging, but switch OFF using the ON/OFF switch.

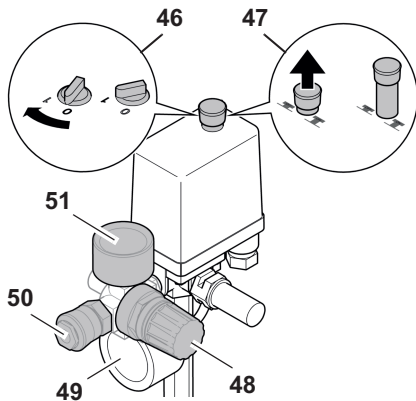
Unplug after use.

### 5.4 Generating compressed air

1. Switch on the machine (46 or 47).

Wait until the maximum tank pressure is reached (the compressor shuts OFF).

The tank pressure is indicated on the tank pressure gauge (49).



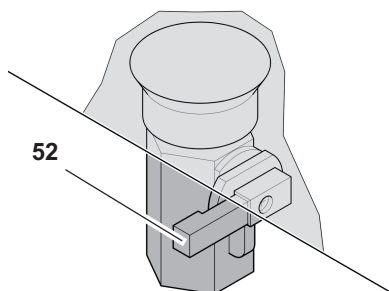
- Set pressure regulator (48) to required working pressure. The current working pressure is indicated on the regulated pressure gauge (51).



**Caution!**

The regulated pressure may not be set higher than the max. working pressure of the connected air tools!

- Connect air hose to compressed air outlet (50).
- Connect air tool. You are now ready to work with the air tool.
- Switch the compressor OFF (46) if you do not intend to continue working immediately afterwards. Unplug after switching OFF.
- Drain condensate from pressure vessel once a day (52).



**6. Care and Maintenance**



**Danger!**

**Prior to all servicing:**

- Switch machine OFF.
- Unplug power cable.

- Wait until the compressor has come to a complete stop.
- Ensure the compressor and all air tools and accessories connected to it are relieved from pressure.
- Let the device and all air tools and accessories cool down.

**After all servicing:**

- Check to see that all safety devices are operational.
- Make sure that no tools or other parts remain on or in the machine.

**Repair and maintenance work other than described in this section must only be carried out by qualified specialists.**

**6.1 Periodic maintenance**



**Caution!**

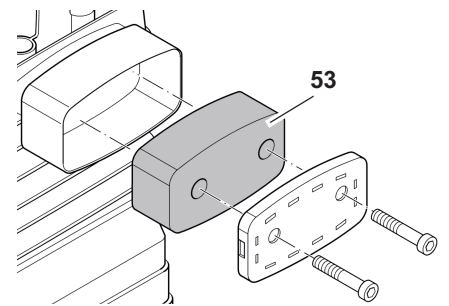
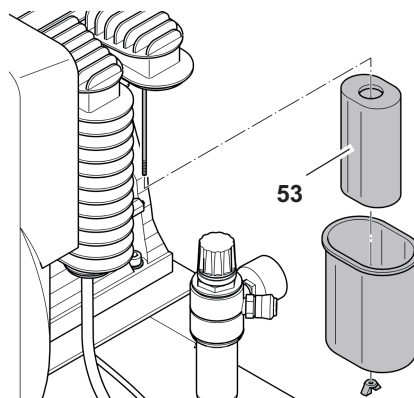
On a new compressor pump, check the tightening torque of the cylinder head bolts (see 'Technical Data') after the first 50 and 250 hours of operation.

**Prior to each use**

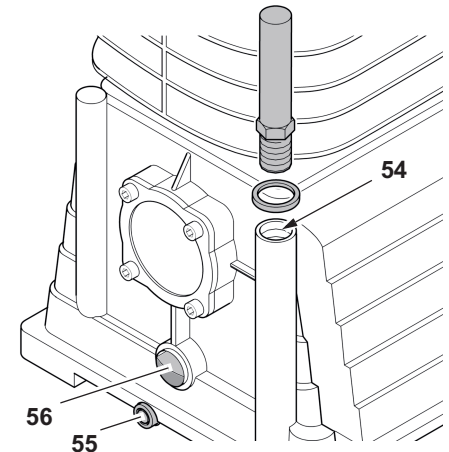
- Check air hoses for damage and replace if necessary.
- Check all screwed connections for tightness and tighten if necessary.
- Check power supply cable for damage and have replaced by a qualified electrician if necessary.

**Every 50 operating hours**

- Check air filter element (53) of compressor pump and clean if necessary.

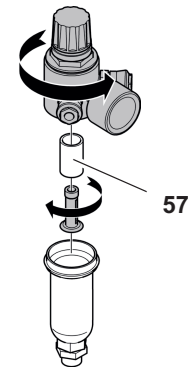


- Check the oil level of the compressor pump (56) and add oil as required (54).



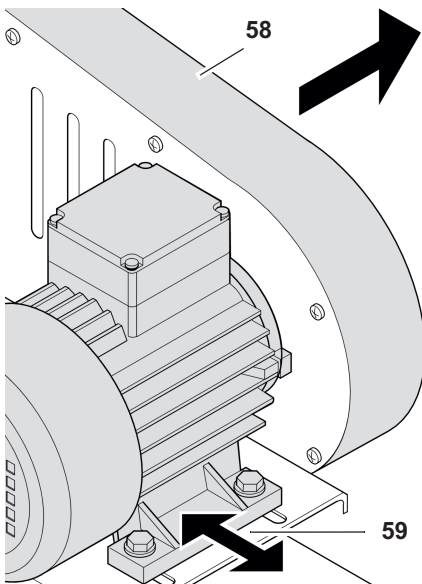
**Every 250 operating hours**

- Clean or replace the air filter on the compressor pump.
- Clean or replace the air filter (57) on the filter/regulator unit.



**Every 500 operating hours**

- Drain the oil and add new oil (55).
- Check V-belt:
  - Remove belt guard (58).
  - Check the V-belt and re-tension or replace if necessary.
  - To adjust the V-belt tension, loosen the four screws at the motor base and shift the motor (59).
  - Tighten screws at the motor base.
  - Install the belt guard again.



### Every 1000 operating hours

- Have unit serviced by an authorised service centre. This will extend the compressor's service life considerably.

## 6.2 Machine storage

1. Switch unit OFF and unplug.
2. Release pressure from tank and all connected air tools.
3. Drain condensate from pressure vessel .
4. Store device in such way that it cannot be started by unauthorised persons.



### Caution!

Do not store or transport machine unprotected outdoors or in a damp environment.

Do not lay machine on its side for transport or storage.

## 7. Troubleshooting



### Danger!

#### Prior to all servicing:

- Switch machine OFF.
- Unplug power cable.
- Wait until the compressor has come to a complete stop.
- Ensure the compressor and all air tools and accessories connected to it are relieved from pressure.

- Let the device and all air tools and accessories cool down.

#### After all servicing:

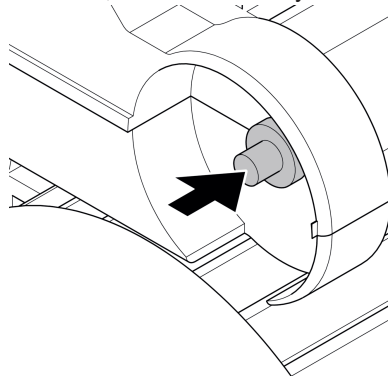
- Reactivate all safety devices and ensure they are operational.
- Make sure that no tools or other parts remain on or in the machine.

#### Compressor does not run:

- No mains voltage.
  - Check cables, plug, outlet and mains fuse.
- Mains voltage too low.
  - Use only extension cables of sufficient lead cross section (see 'Technical Data'). When the machine is cold avoid extension cables and relieve the pressure in the pressure tank.
- Compressor was stopped by unplugging.
  - Switch compressor OFF and then ON again using the On/Off switch.
- Motor has overheated, e.g. due to insufficient cooling (cooling fins covered).
  - First switch off the compressor using the ON/OFF switch and allow to cool.
  - Eliminate the cause of overheating.

Only for version with AC motor:

- Check the motor protection switch; reset if necessary.



- Switch the compressor back on.

#### Compressor runs but does not build up sufficient pressure.

- Condensate drain cock of pressure tank leaky.
  - Check gasket of drain cock(s); replace if necessary.
  - Tighten drain cock(s) hand-tight.
- Check valve leaky.

- Have check valve serviced by qualified service centre.

#### Air tool is not supplied with sufficient pressure.

- Pressure regulator not opened wide enough.
  - Open pressure regulator more.
- Hose connection between compressor and air tool leaky.
  - Check air hoses; replace defective parts if necessary.

#### Further work on the machine should only be carried out by a qualified electrician or the Service Centre in your country.

## 8. Repairs



### Danger!

Repairs to electric tools must be carried out by qualified electricians only!

Electric tools in need of repair can be sent to the Service Centre in your country. See Spare Parts List for address.

Please attach a description of the fault to the power tool.

## 9. Environmental Protection



### Danger!

The condensation water from the pressure vessel contains oil residues. Dispose of the condensation water in an environmentally-oriented manner at an appropriate collection point!



### Danger!

Dispose of the waste oil from the compressor pump in an environmentally-oriented manner at an appropriate collection point!

The tool's packaging can be 100% recycled.

Worn out machines and accessories contain considerable amounts of valuable raw and plastic materials, which can be recycled.

These instructions are printed on paper produced with an elemental chlorine-free bleaching process.

**10. Technical Data**

		Mega 370/100 W	Mega 370/100 D	Mega 490/50 W	Mega 490/50 D	Mega 490/100 W	Mega 490/100 D	Mega 500/150 D	Mega 550/200 D	Mega 650/200 D
Suction capacity	l/min	250				320		390	510	650
Free air delivery (volume flow rate)	l/min	150				220		250	350	420
Filling rate	l/min	170				250		290	390	490
Max. operating pressure	bar	10								
Max. storage/operating temperature *	°C	+ 40								
Min. storage/operating temperature **	°C	+ 5								
Pressure vessel volume	l	90		50		90		150		200
No. of air outlets		3		2				3		
No. of cylinders		2								
Cylinder head bolt driving torque	Nm	22-27								
Speed	min <sup>-1</sup>	1250				1650		1100		1250
Motor capacity	kW	2.4								
Supply voltage (50 Hz)	V	230	400	230	400	230	400	400		
Rated current	A	8.5	3.4	11.7	4.3	11.7	4.3	4.6	7.6	8.1
Min. fuse protection	A	10 time-lag	10	16 time-lag	10	16 time-lag	10	10		
Protection rating		IP 44								
Max. overall cable length with extension cables: - for 1.0mm <sup>2</sup> conductor cross section for 1.5mm <sup>2</sup> conductor cross section for 2.5mm <sup>2</sup> conductor cross section	m	10	20	5	20	5	20	20	20	20
	m	15	30	7.5	30	7.5	30	30	30	30
	m	25	50	12.5	50	12.5	50	50	50	50
Oil grade (pump)		SAE 40 (SAE 20)								
Required oil quantity (pump)	l	approx. 0.6								
Dimensions: length x width x height	mm	1070 x 500 x 860		810 x 420 x 750		1070 x 500 x 860		1320 x 510 x 940		approx. 1.5
Weight	kg	56		46		56		83		132
Max. sound pressure level L <sub>PA</sub> at 1 m	dB (A)	87 + 3								
Guaranteed sound power level L <sub>WA</sub>	dB (A)	96								
All technical specifications apply to an ambient temperature of 20 °C.										
*The service life of some components, e.g. the check valve sealing, is substantially decreased when the compressor is used at high temperatures (max. storage/operating temperature and higher).										
**At temperatures below the min. storage/operating temperature the danger exists that the condensate in the pressure vessel will freeze.										